



US00D864559S

(12) **United States Design Patent** (10) **Patent No.:** **US D864,559 S**
Goserud (45) **Date of Patent:** **** Oct. 29, 2019**

(54) **GOLF BALL DISPLAY**
(71) Applicant: **J. Thomas Goserud**, Landisville, PA (US)
(72) Inventor: **J. Thomas Goserud**, Landisville, PA (US)
(**) Term: **15 Years**
(21) Appl. No.: **29/640,794**
(22) Filed: **Mar. 16, 2018**
(51) **LOC (12) Cl.** **03-01**
(52) **U.S. Cl.**
USPC **D3/221; D9/715; D9/436**
(58) **Field of Classification Search**
USPC D7/514-517, 519-520, 539, 604, 613, D7/619.2, 623, 628, 392, 392.1; D9/600, D9/668, 679, 715, 718-720, 434, 436, D9/439-441, 444-454; 206/494, 457, 206/459.1, 459.2; 220/890; 215/206, 215/260, 387-400; D3/221, 254, 257; D21/796
CPC B65D 67/00; B65D 81/36; B65D 81/365; B65D 81/366; B65D 81/368; B65D 41/00; B65D 41/02; B65D 51/245; A63H 33/16; A63B 47/00
See application file for complete search history.

D449,982 S * 11/2001 Ferris D9/503
D455,258 S * 4/2002 Goserud
D481,937 S * 11/2003 McRae D9/719
D488,923 S * 4/2004 Henebrey D3/221
D563,782 S * 3/2008 Benson D9/436
D665,621 S * 8/2012 Eyal D7/392.1
D693,170 S * 11/2013 Rosbach D7/392.1
D706,139 S * 6/2014 Sovine D9/436
D759,480 S * 6/2016 Shugar A63B 47/00
D9/436
D760,078 S * 6/2016 Shugar A63B 47/00
D9/436
D767,328 S * 9/2016 Boroski D7/392.1
D770,301 S 11/2016 Goserud
D796,261 S * 9/2017 Khalifa D7/392.1
D806,564 S 1/2018 Goserud
2009/0032419 A1 * 2/2009 Kealy A63B 47/00
206/315.9

* cited by examiner

Primary Examiner — Sandra L Morris
(74) *Attorney, Agent, or Firm* — Dunlap Bennett & Ludwig PLLC; Brendan E. Squire

(57) **CLAIM**

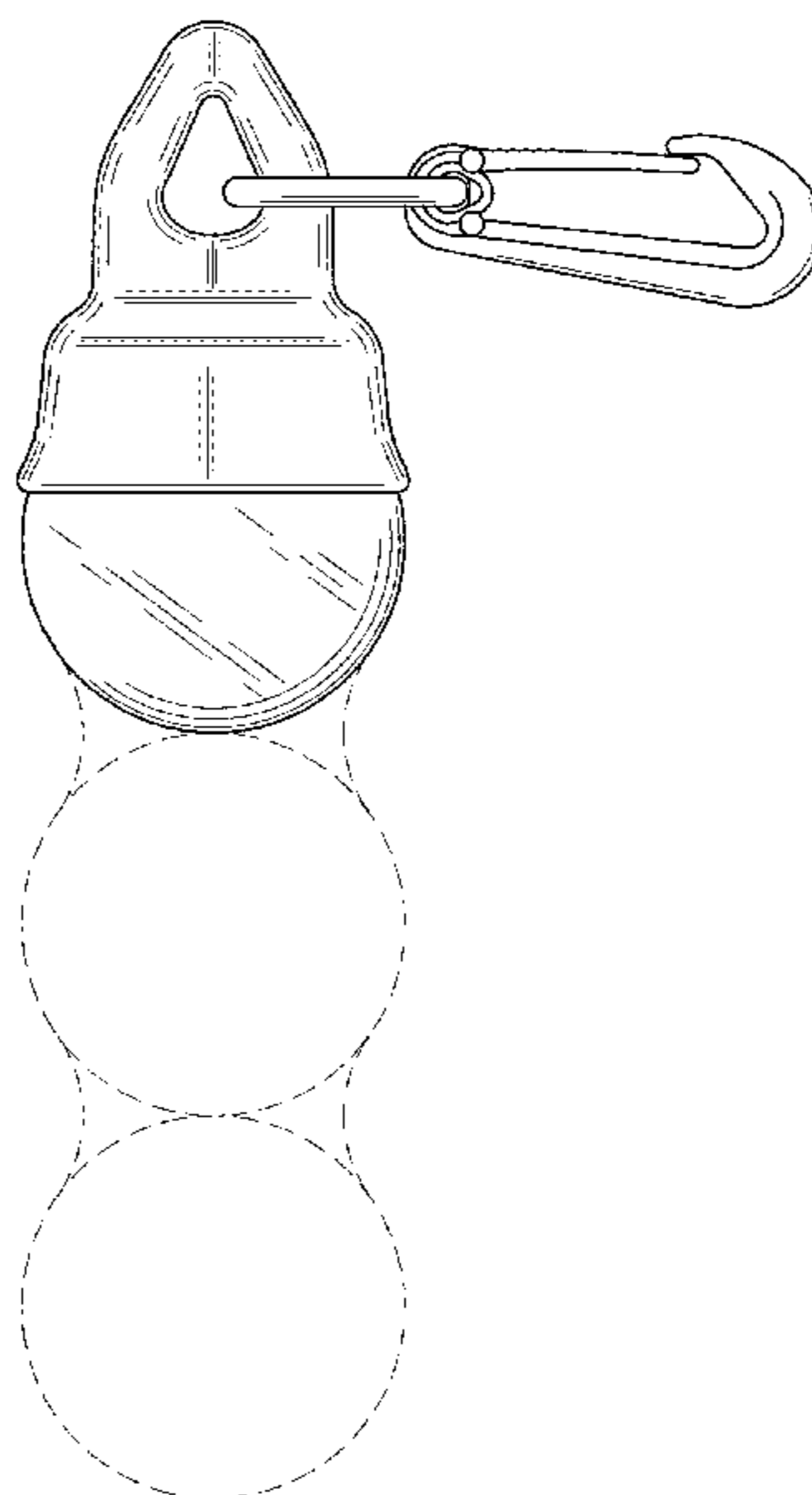
The ornamental design for a golf ball display, as shown and described.

DESCRIPTION

FIG. 1 is a detail perspective view of a golf ball display showing my new design, with a partial view of the clip; FIG. 2 is a left side elevation view thereof; FIG. 3 is a front elevation view thereof; FIG. 4 is a rear elevation view thereof; FIG. 5 is a top plan view thereof; and, FIG. 6 is a bottom plan view thereof. The broken lines shown in the drawings illustrate portions of the golf ball display that form no part of the claimed design.

1 Claim, 4 Drawing Sheets

(56) **References Cited**
U.S. PATENT DOCUMENTS
D194,243 S * 12/1962 Robins D9/715
D333,261 S * 2/1993 Van Erkel D9/451
5,641,103 A * 6/1997 Potik A63B 47/00
224/251
6,234,307 B1 * 5/2001 Beck A63B 47/00
206/315.9



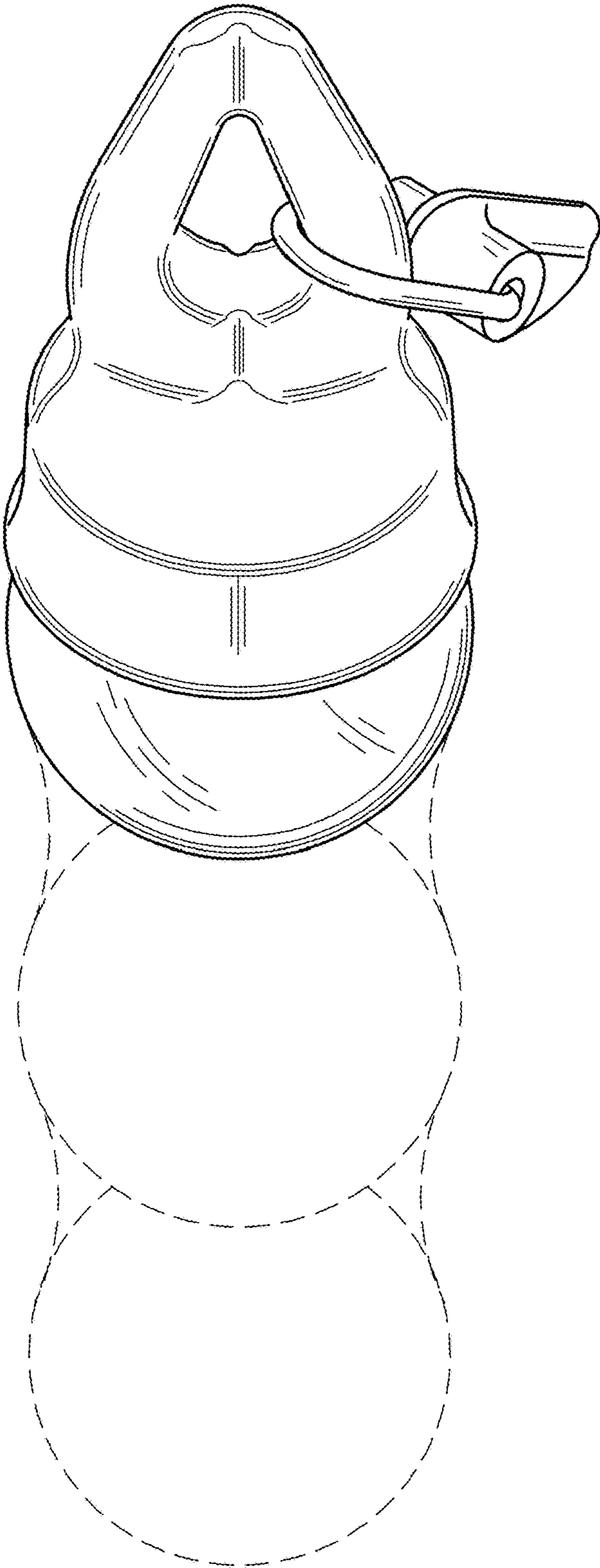


Fig. 1

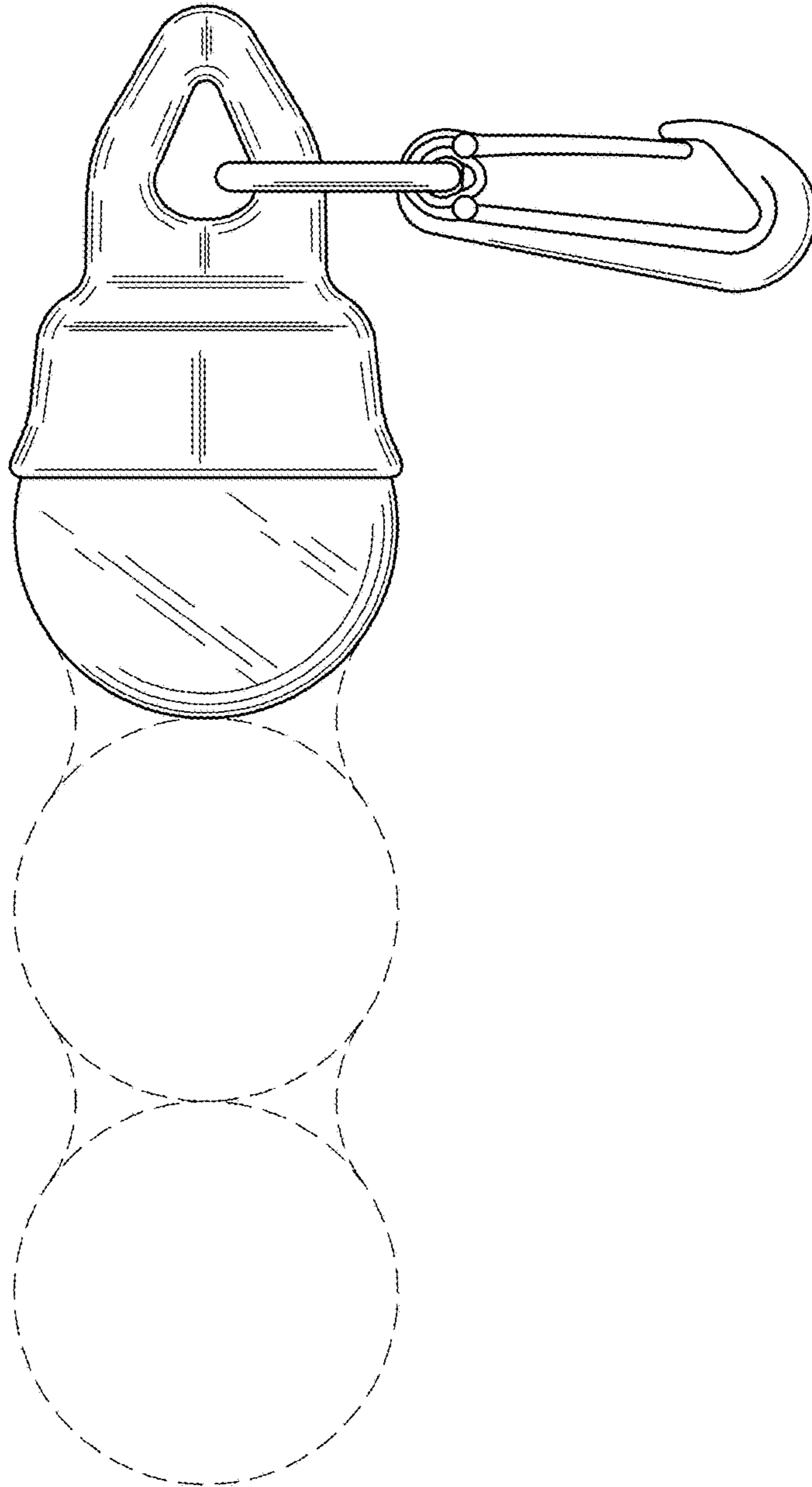


Fig. 2

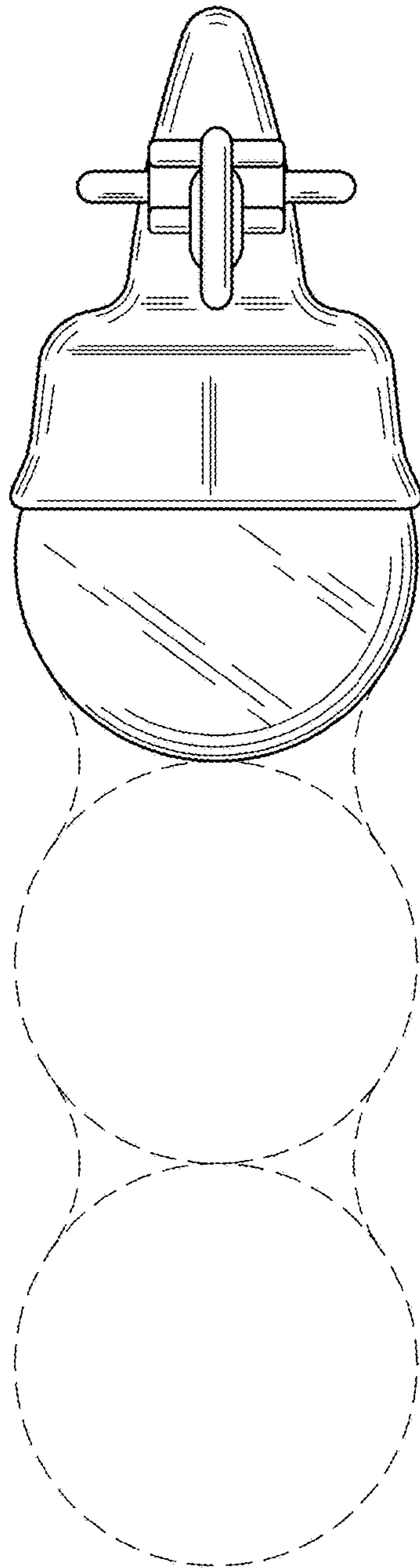


Fig. 3

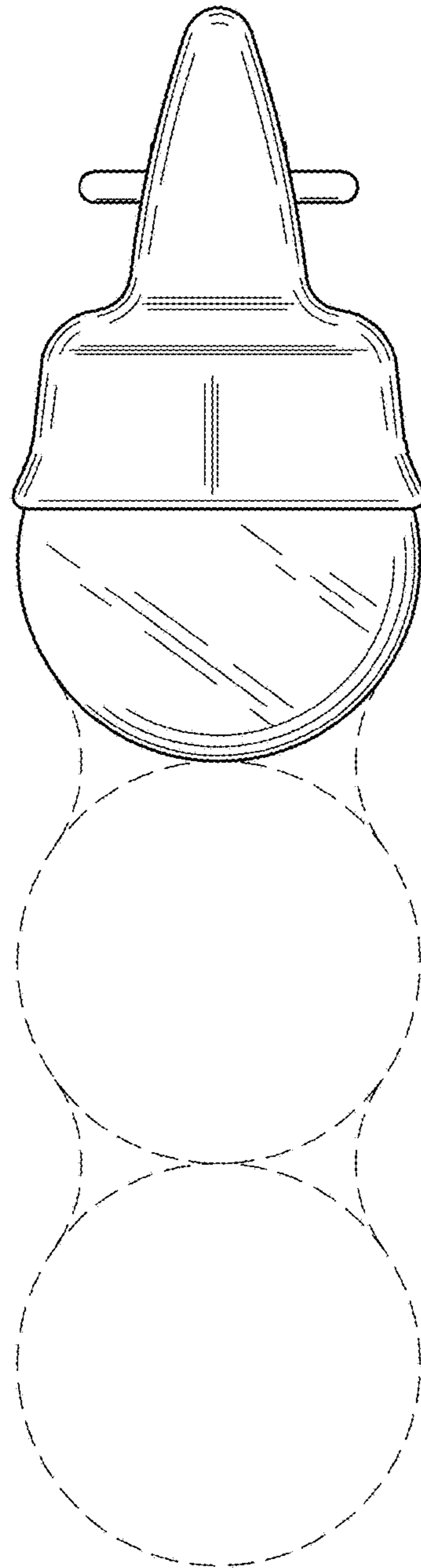


Fig. 4

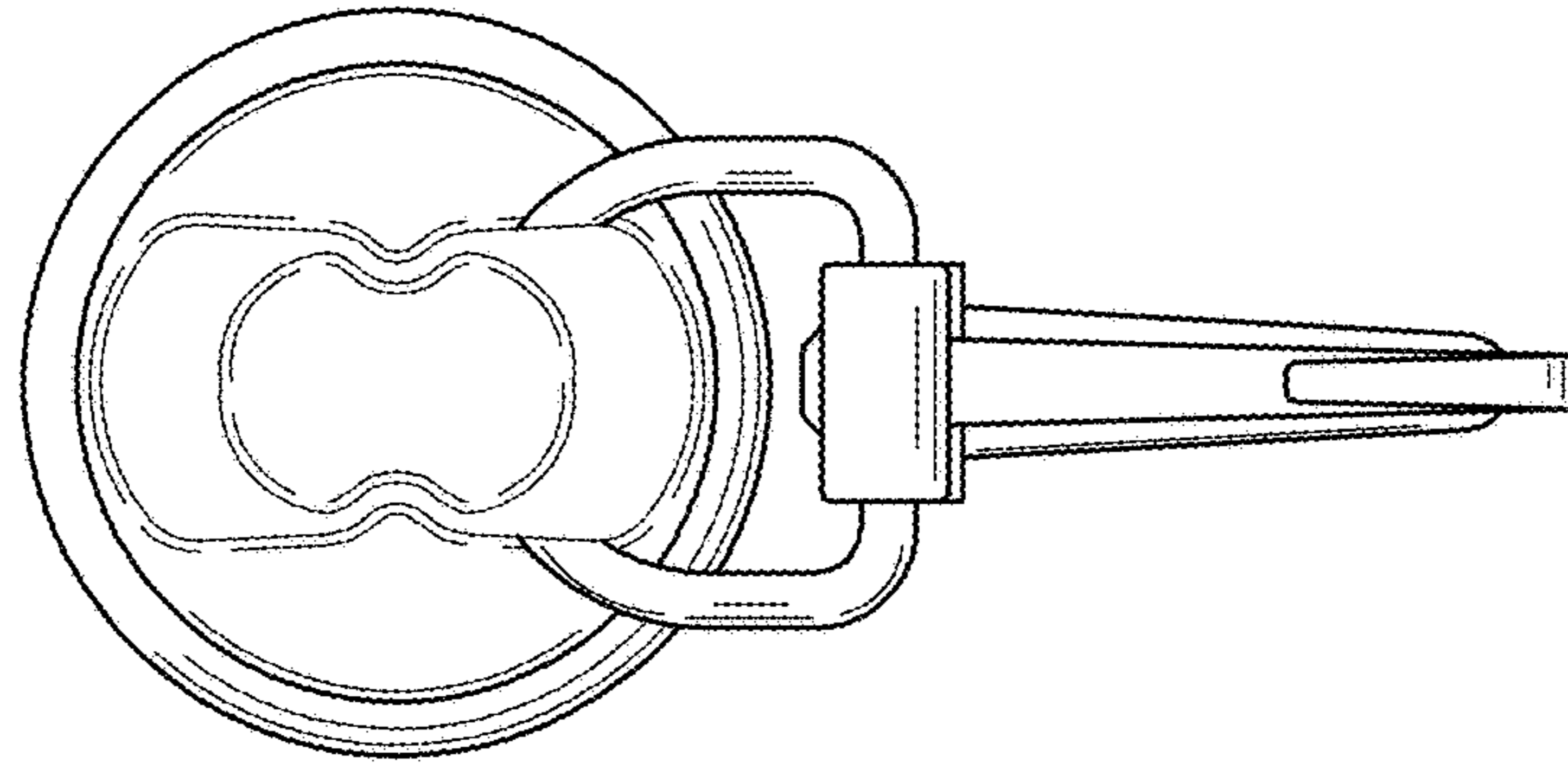


Fig. 5

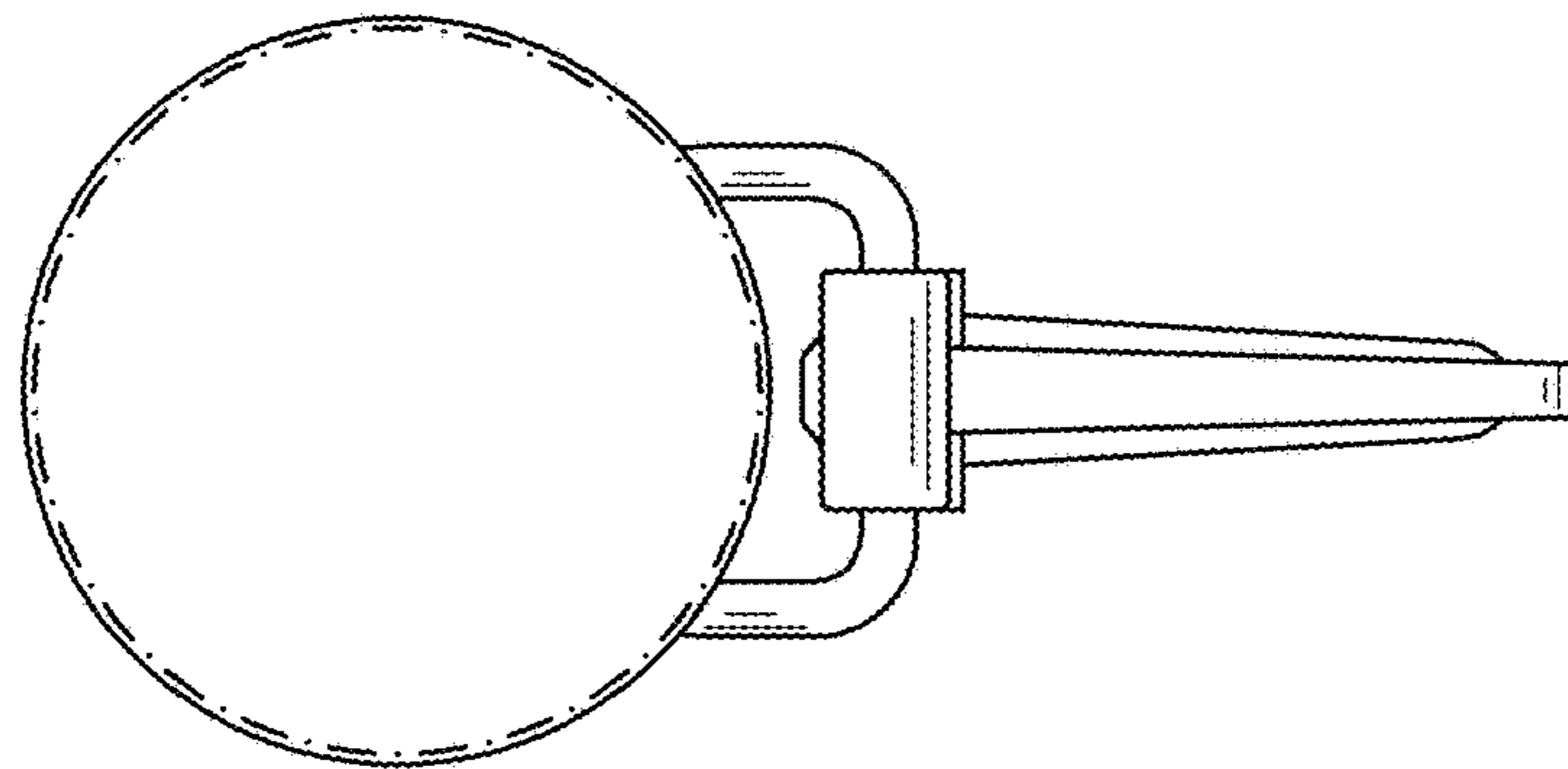


Fig. 6