

US00D864558S

(12) **United States Design Patent**  
**Heroux**

(10) **Patent No.:** **US D864,558 S**

(45) **Date of Patent:** **\*\* Oct. 29, 2019**

- (54) **HANGER FOR TANK TOPS**
- (71) Applicant: **Hip Innovations, LLC**, Calabasas, CA (US)
- (72) Inventor: **Steve Heroux**, Hidden Hills, CA (US)
- (73) Assignee: **HIP INNOVATIONS, LLC**, Calabasas, CA (US)
- (\*\*) Term: **15 Years**
- (21) Appl. No.: **29/676,936**
- (22) Filed: **Jan. 16, 2019**
- (51) **LOC (12) Cl.** ..... **03-03**
- (52) **U.S. Cl.**  
USPC ..... **D3/215**
- (58) **Field of Classification Search**  
USPC ..... D6/315  
CPC ..... A47G 25/28  
See application file for complete search history.

7,137,515	B1 *	11/2006	Lawson	.....	A47G 25/746	211/85.3
7,165,689	B2 *	1/2007	McDaniel	.....	A47B 96/061	211/116
D582,686	S *	12/2008	Belokin	.....	D6/315	
D584,519	S *	1/2009	Gamboa	.....	D6/328	
D586,567	S	2/2009	Heroux			
D606,323	S	12/2009	Heroux			
D607,215	S *	1/2010	Mangano	.....	D6/315	
D632,898	S	2/2011	Heroux			
D640,877	S *	7/2011	Kuo	.....	D6/323	
8,141,722	B2	3/2012	Heroux			
D704,458	S *	5/2014	Berger	.....	D6/315	
D717,551	S	11/2014	Berger			
D723,789	S	3/2015	Bludau			
D808,179	S	1/2018	Heroux			
D811,754	S	3/2018	Heroux			
D813,454	S *	3/2018	Jenkins	.....	D28/10	
D818,236	S	5/2018	Choi et al.			
D830,707	S	10/2018	Tsai			

(Continued)

Primary Examiner — Charles D Hanson

(74) Attorney, Agent, or Firm — Cislo & Thomas, LLP

(57) **CLAIM**

The ornamental design for a hanger for tank tops, as shown and described.

**DESCRIPTION**

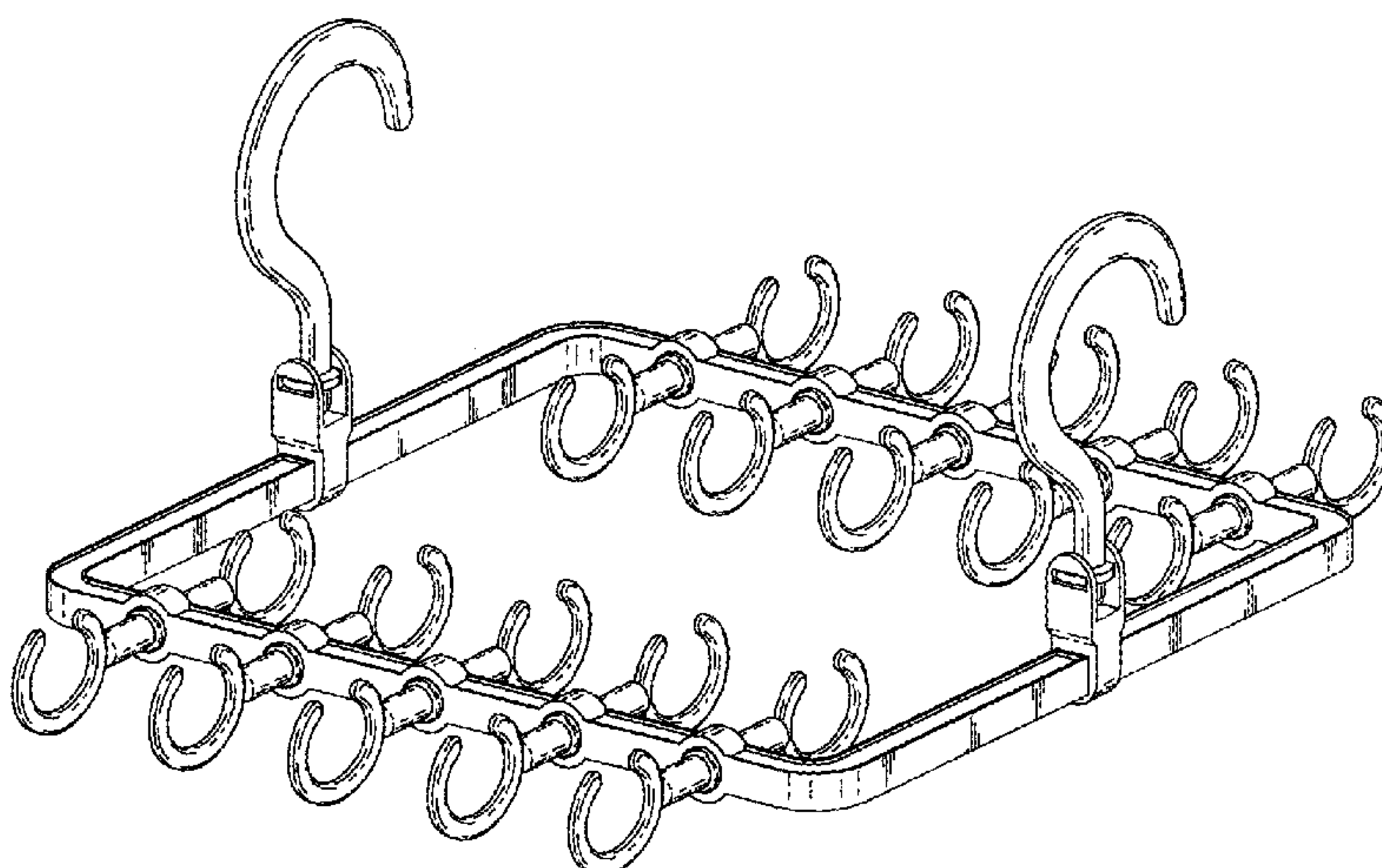
FIG. 1 is a perspective view of my hanger for tank tops;  
 FIG. 2 is a front view thereof;  
 FIG. 3 is a rear view thereof;  
 FIG. 4 is a left side view thereof;  
 FIG. 5 is a right side view thereof;  
 FIG. 6 is a top view thereof; and  
 FIG. 7 is a bottom view thereof; and,  
 FIG. 8 is a perspective view of my hanger for tank tops.  
 The broken line portions of the disclosure are included for the purpose of illustrating environment and form no part of the claimed design.

**1 Claim, 6 Drawing Sheets**

(56) **References Cited**

**U.S. PATENT DOCUMENTS**

643,818	A	5/1899	Headland		
1,618,157	A	2/1927	Harmon		
2,557,627	A	6/1951	Baril		
D183,499	S	9/1958	Simpson		
D190,608	S	6/1961	Forrester		
3,872,973	A *	3/1975	Duncan	.....	A47G 25/743 211/115
4,129,218	A	12/1978	Koellner		
D275,437	S *	9/1984	Mize	.....	D6/315
4,863,043	A	9/1989	Bowen		
4,972,961	A	11/1990	Roesch		
5,901,888	A *	5/1999	Schneider	.....	A47G 25/403 223/88
6,302,281	B1	10/2001	Wang		
6,758,378	B2	7/2004	Carmichael		
D499,255	S	12/2004	Goodman et al.		



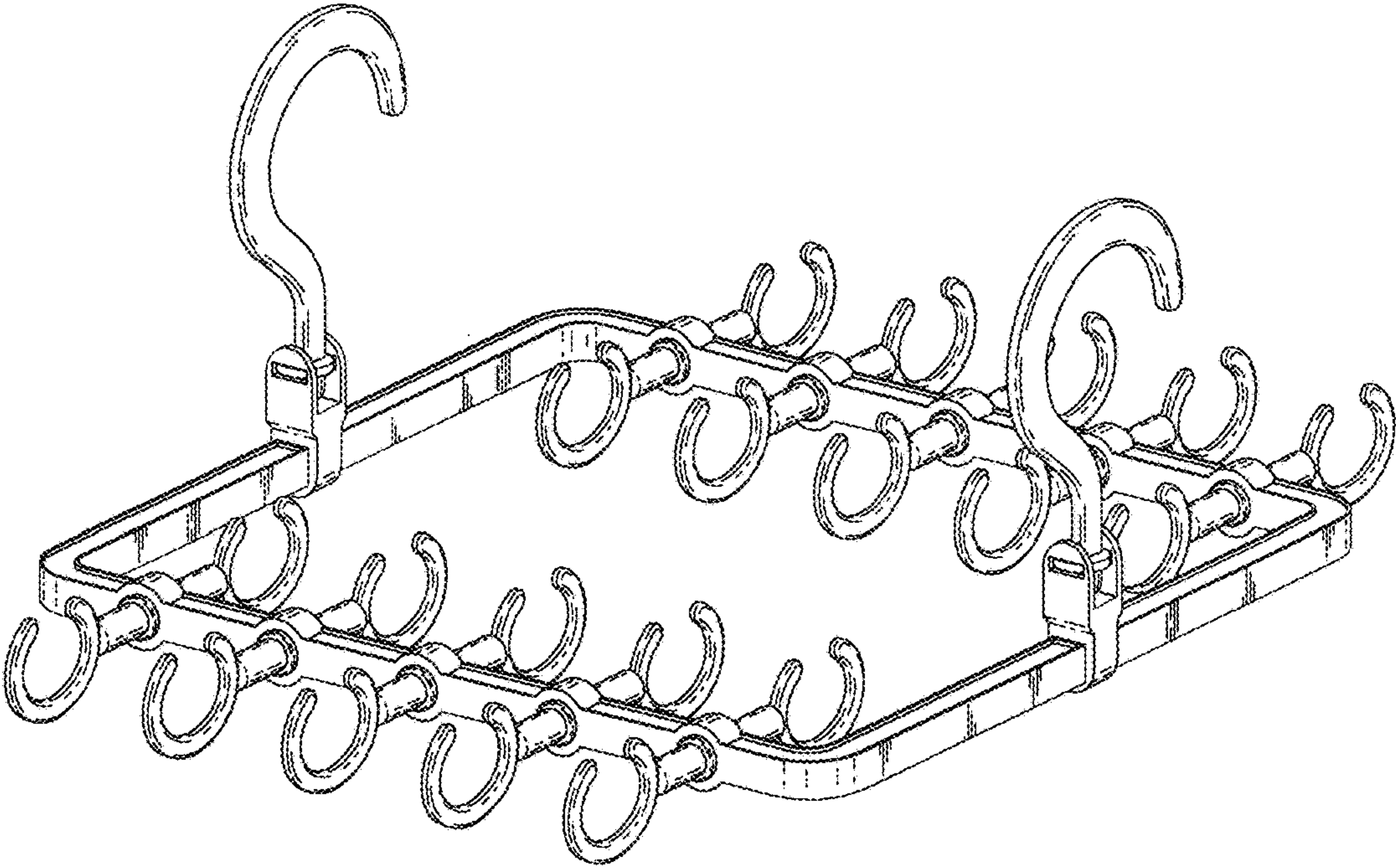
(56)

**References Cited**

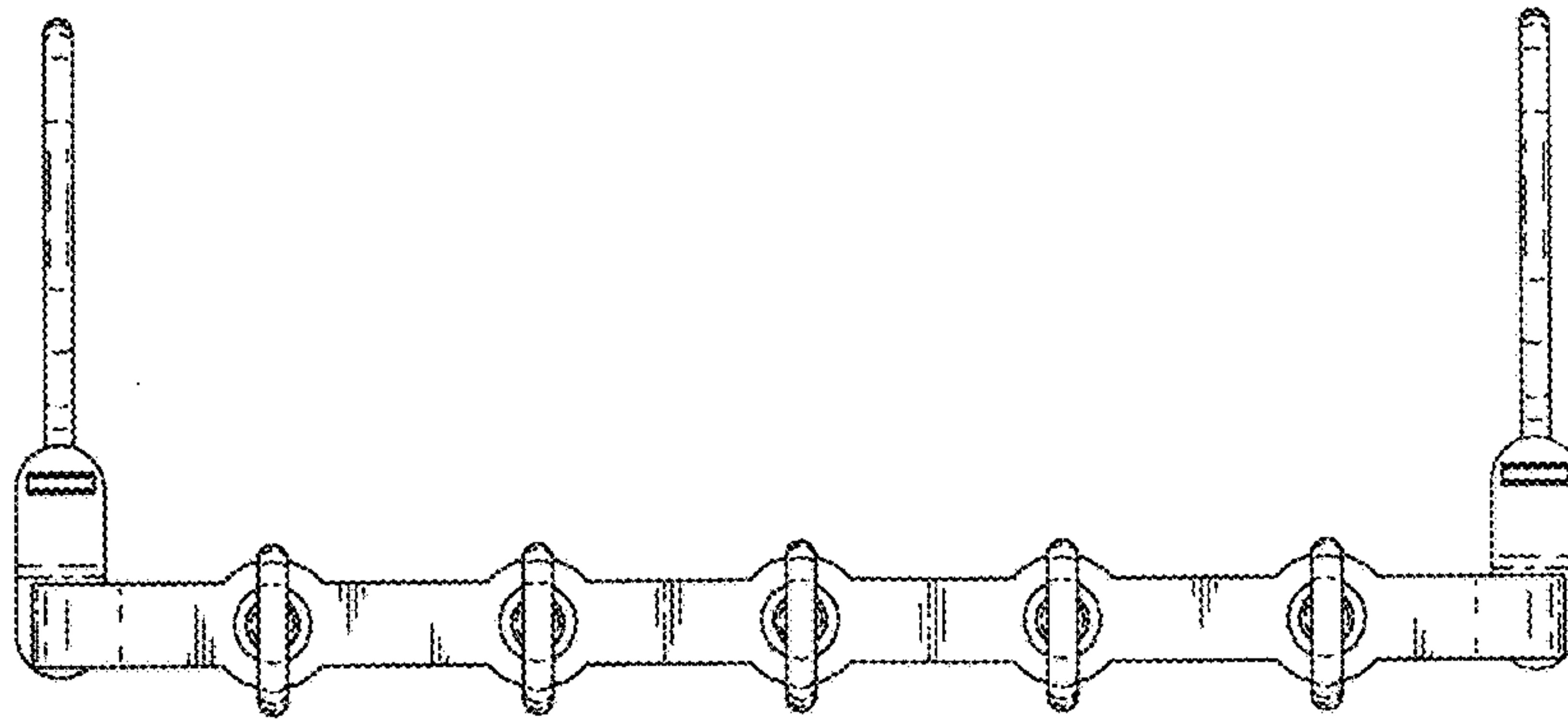
U.S. PATENT DOCUMENTS

10,132,443	B2 *	11/2018	Roffe .....	A46B 17/02
D836,923	S *	1/2019	Zeng .....	D6/315
2010/0051654	A1	3/2010	Thompson et al.	
2010/0089722	A1 *	4/2010	Wiedemann .....	B65G 9/002 198/465.4
2015/0076094	A1	3/2015	Allahverdian	
2015/0245724	A1 *	9/2015	Sut .....	A47G 25/28 223/88

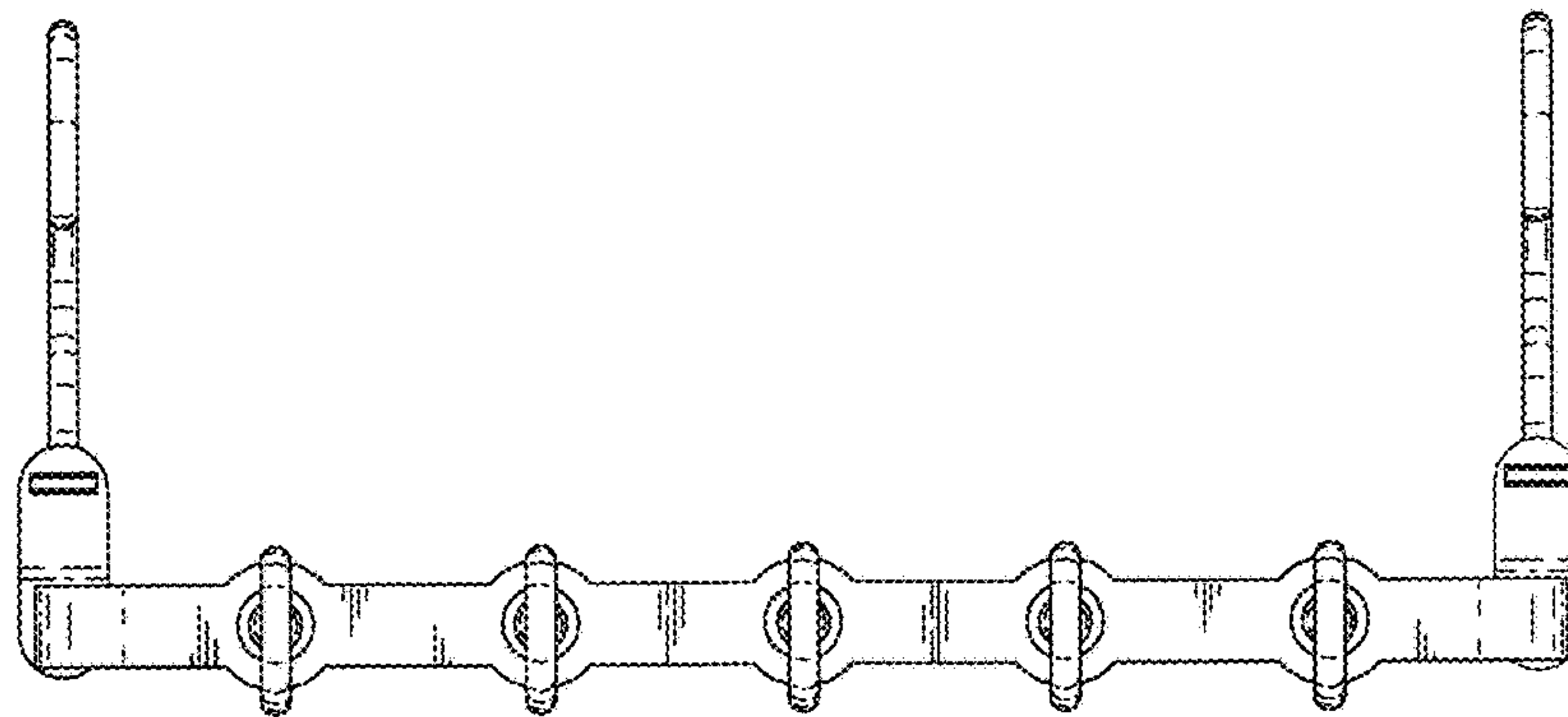
\* cited by examiner



*Fig. 1*

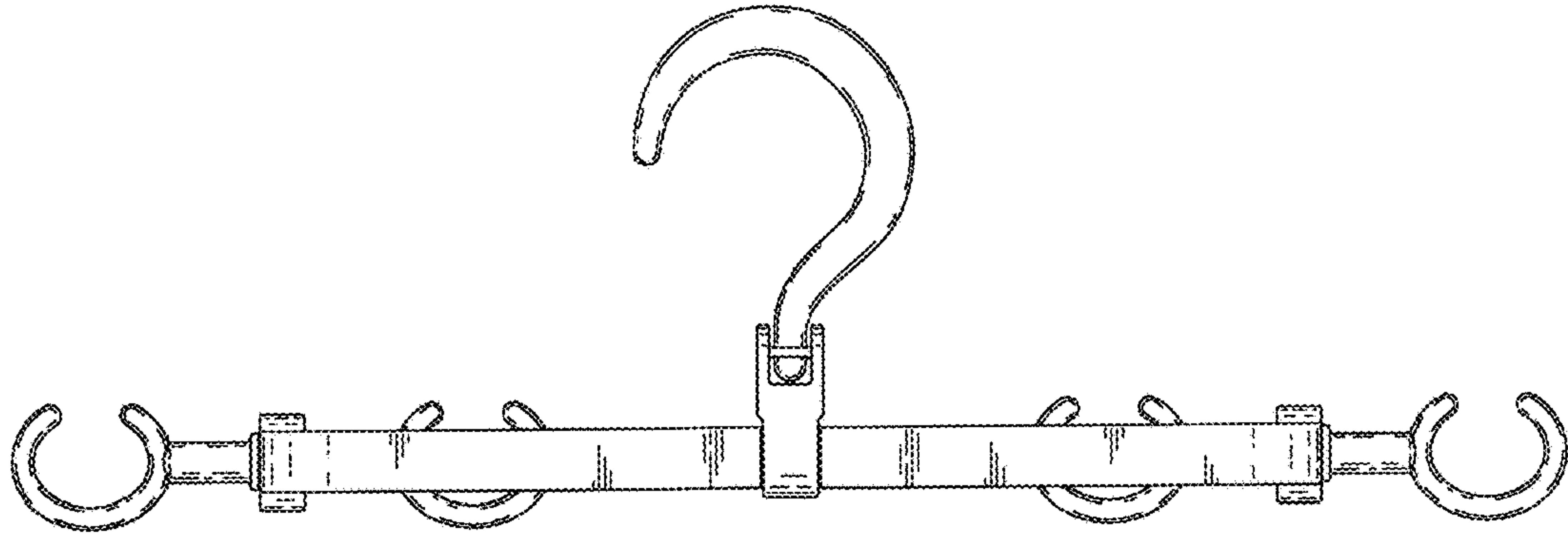


*Fig. 2*

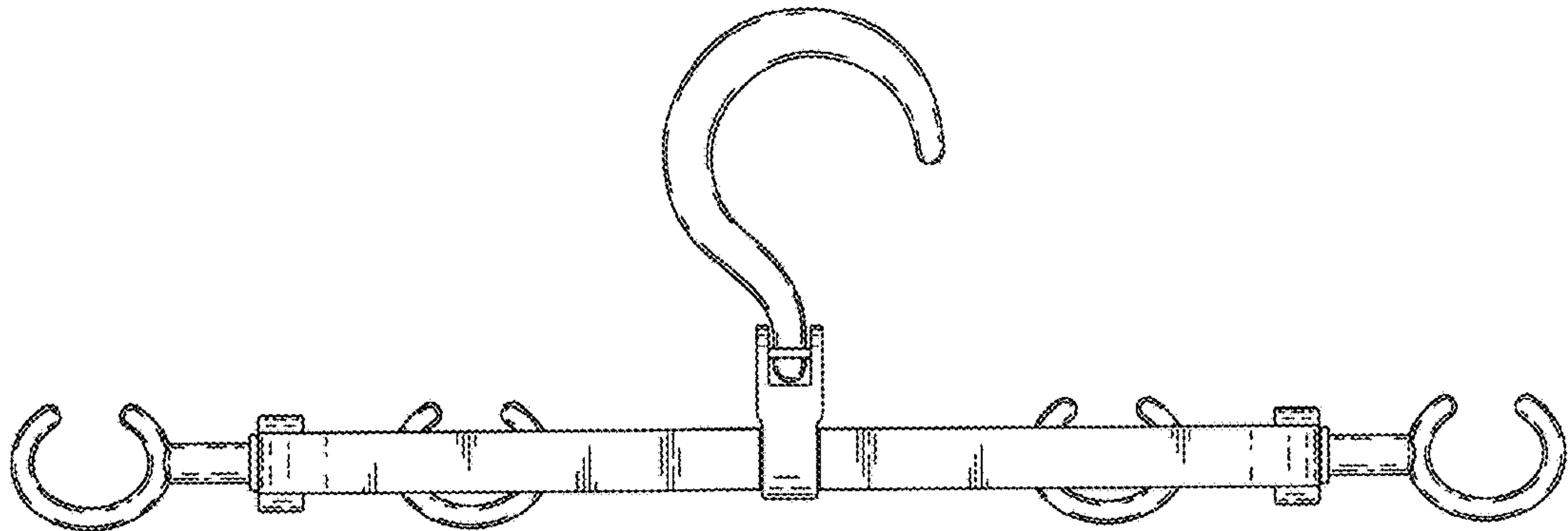


*Fig. 3*

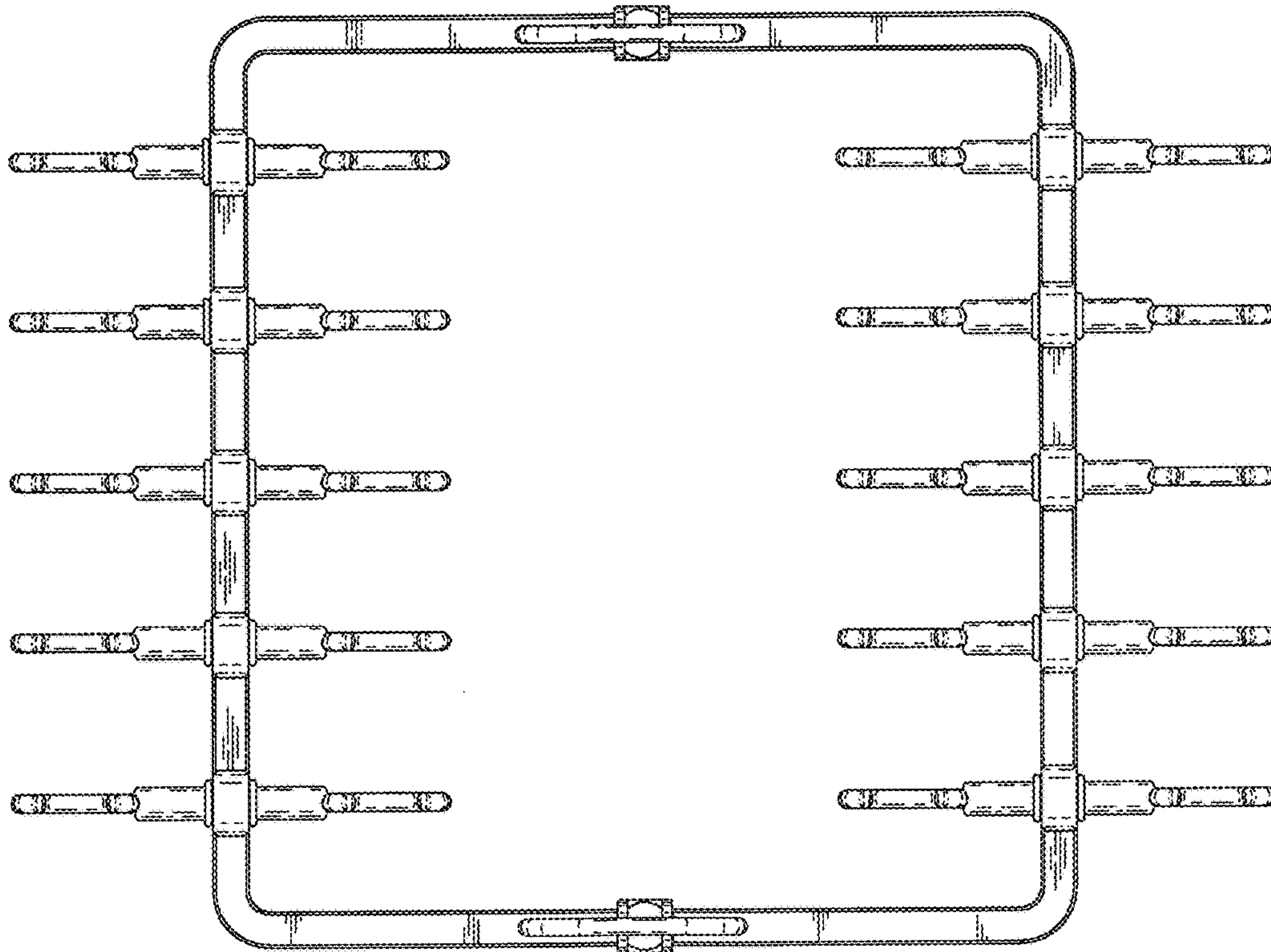




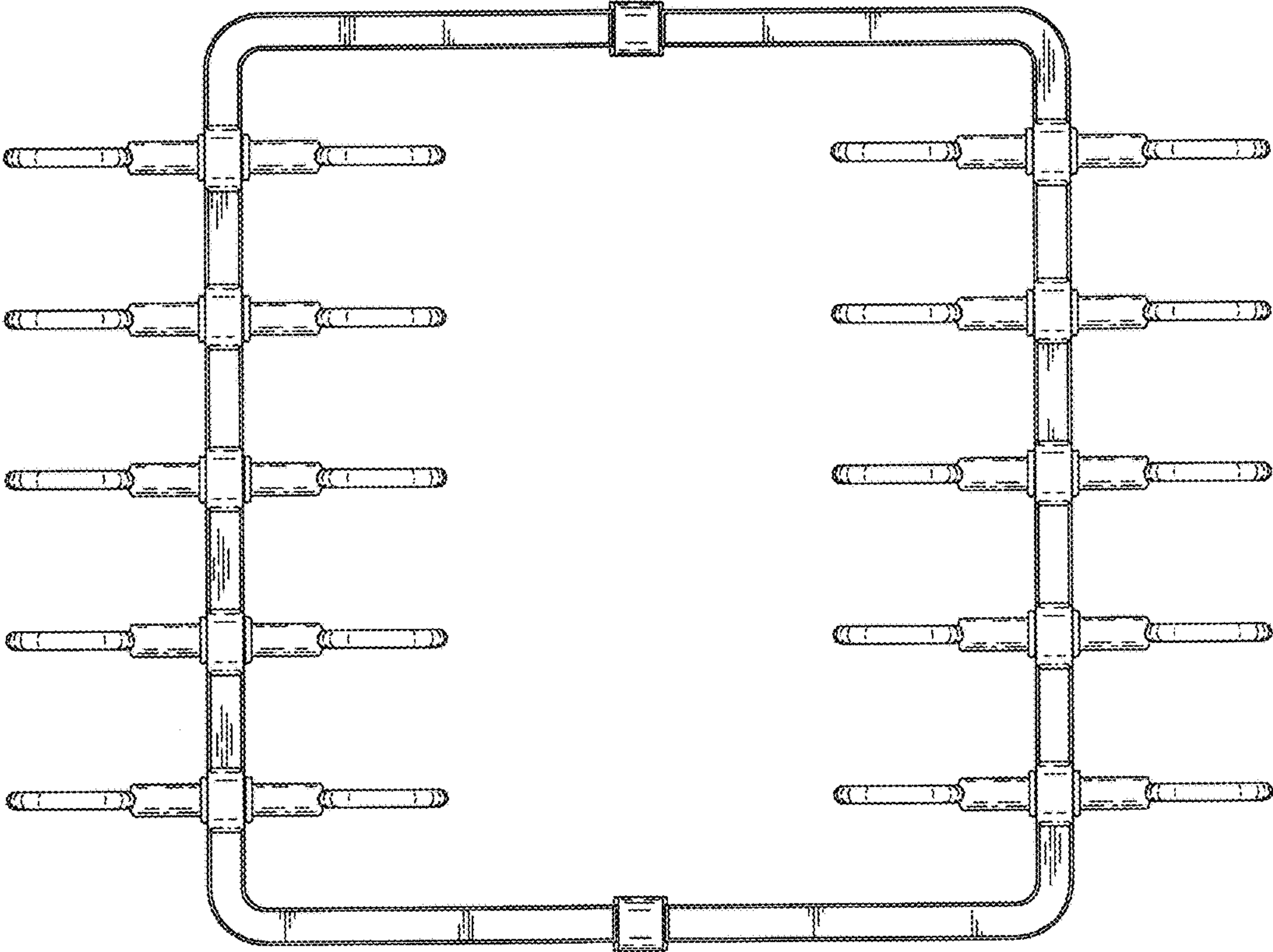
*Fig. 4*



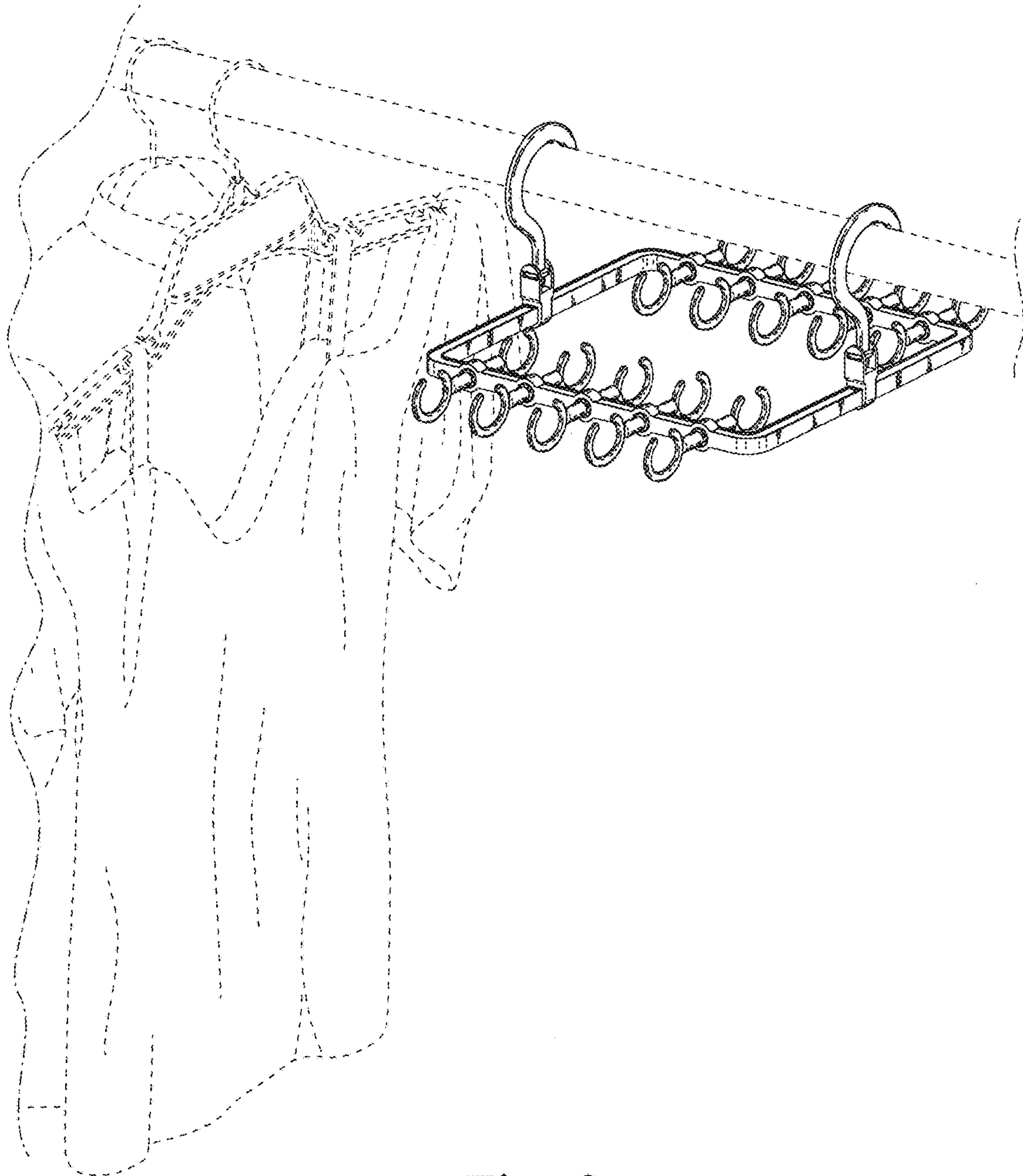
*Fig. 5*



*Fig. 6*



*Fig. 7*



*Fig. 8*