

US00D864554S

(12) **United States Design Patent** (10) **Patent No.:** **US D864,554 S**
Xu et al. (45) **Date of Patent:** **** Oct. 29, 2019**

(54) **SUNSHADE UMBRELLA**

(71) Applicants: **Gaoyang Xu**, Linhai (CN); **Yucheng Shan**, Linhai (CN); **Chao Han**, Linhai (CN); **Rixin Liang**, Linhai (CN); **Jiaolong Ma**, Linhai (CN); **Ying Fan**, Linhai (CN)

(72) Inventors: **Gaoyang Xu**, Linhai (CN); **Yucheng Shan**, Linhai (CN); **Chao Han**, Linhai (CN); **Rixin Liang**, Linhai (CN); **Jiaolong Ma**, Linhai (CN); **Ying Fan**, Linhai (CN)

(73) Assignee: **Linhai Dojoy Furniture Ltd.**, Taizhou (CN)

(**) Term: **15 Years**

(21) Appl. No.: **29/665,372**

(22) Filed: **Oct. 3, 2018**

(30) **Foreign Application Priority Data**

Aug. 10, 2018 (CN) 2018 3 0441583

(51) **LOC (12) Cl.** **03-03**

(52) **U.S. Cl.**
USPC **D3/5**

(58) **Field of Classification Search**
USPC D3/5, 6, 10; D21/834, 836, 837, 838;
D25/56

CPC ... A45B 11/00; A45B 19/00; A45B 2019/005;
A45B 23/00; A45B 2023/0012; A45B
2023/0075; A45B 2023/0081; A45B
2023/0087; A45B 2023/0093; A45B
25/00; A45B 2025/003; A45B 25/006;
A45B 25/02; A45B 25/18; A45B
2025/186; A45B 2200/10; A45B
2200/1072; A45B 2023/0031; A45B
25/20; A45B 25/22

See application file for complete search history.

(56) **References Cited**

U.S. PATENT DOCUMENTS

D25,368 S * 4/1896 Sparry et al. D3/5
990,632 A * 4/1911 Burton et al. A45B 11/00
135/20.1
D56,043 S * 8/1920 Weinberg et al. D3/5
3,464,431 A * 9/1969 Loeffler A45B 11/00
135/20.1
3,557,809 A * 1/1971 Vazquez A45B 11/00
135/15.1

(Continued)

FOREIGN PATENT DOCUMENTS

CN 302723081 S 1/2014
CN 302727931 S 2/2014

(Continued)

Primary Examiner — John Windmuller

Assistant Examiner — Steven J Czyz

(74) *Attorney, Agent, or Firm* — Minder Law Group;
Willy H. Wong

(57) **CLAIM**

The ornamental design for a sunshade umbrella, as shown and described.

DESCRIPTION

FIG. 1 is a first perspective view of a sunshade umbrella in accordance with the present invention.

FIG. 2 is a second perspective view thereof.

FIG. 3 is a front view thereof.

FIG. 4 is a back view thereof.

FIG. 5 is a left view thereof.

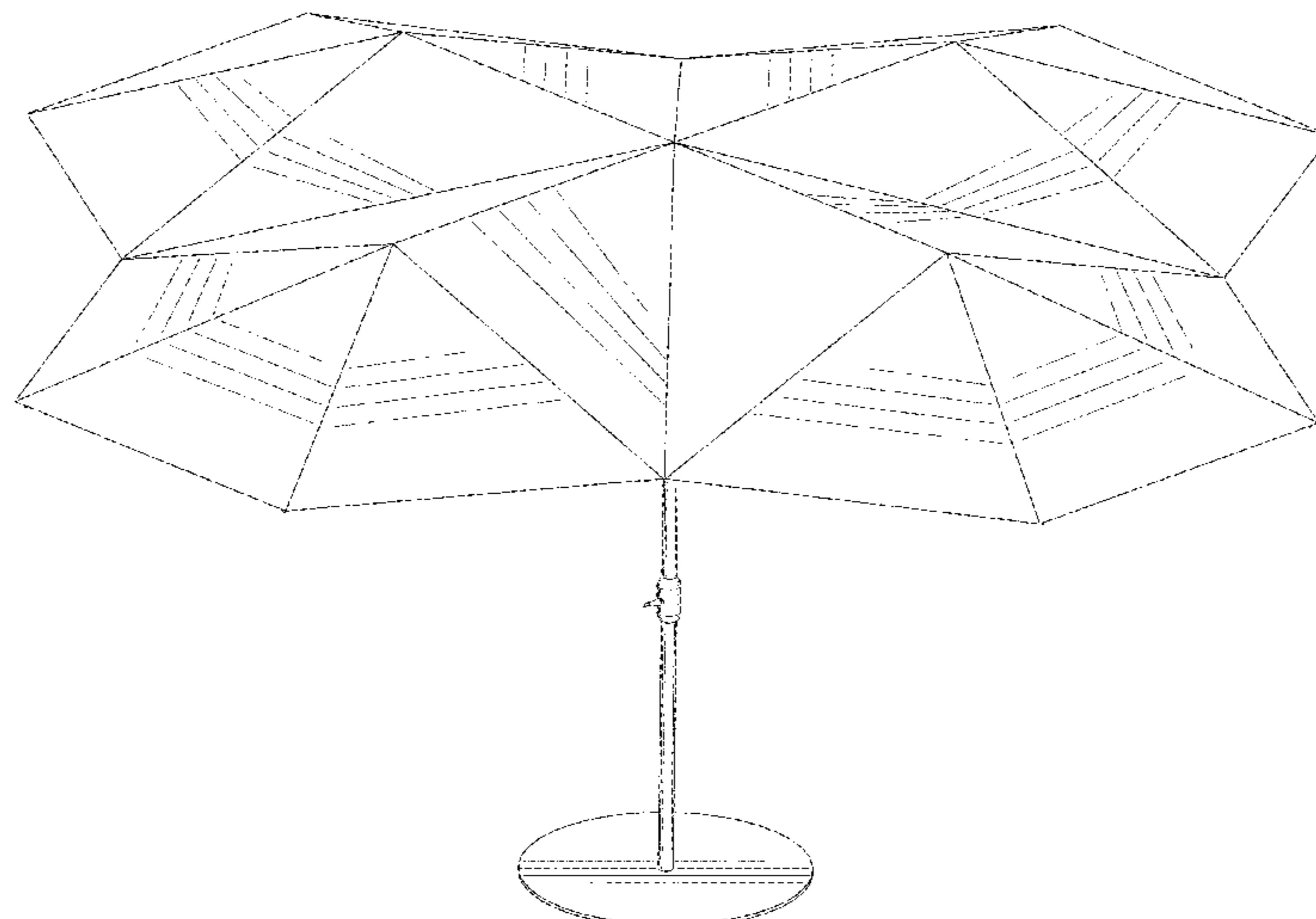
FIG. 6 is a right view thereof.

FIG. 7 is a top view thereof; and,

FIG. 8 is a bottom view thereof.

The broken lines show portions of the sunshade umbrella that form no part of the claimed design.

1 Claim, 8 Drawing Sheets



(56)

References Cited

U.S. PATENT DOCUMENTS

3,837,352 A * 9/1974 Weber A45B 11/00
 135/25.3
 4,144,900 A * 3/1979 Kinski A45B 11/00
 135/20.1
 4,274,429 A * 6/1981 Kinski A45B 11/00
 135/20.1
 D273,346 S * 4/1984 Secon D3/5
 D328,182 S * 7/1992 Lo D3/5
 5,263,505 A * 11/1993 Yeom A45B 11/00
 135/20.1
 D411,914 S * 7/1999 Chang D3/6
 D419,287 S * 1/2000 Wallace D3/5
 D419,759 S * 2/2000 Goudarzi D3/5
 D449,926 S * 11/2001 Tsai D3/5
 D475,524 S * 6/2003 Clarke D3/5
 D491,720 S * 6/2004 Clarke D3/5
 D496,783 S * 10/2004 Medina D3/5

7,121,289 B1 * 10/2006 Anderson A45B 23/00
 135/20.1
 D548,452 S * 8/2007 Oelzant D3/10
 D592,393 S * 5/2009 Clarke D3/5
 D599,103 S * 9/2009 Hoogendoorn D3/5
 D605,308 S * 12/2009 Combs D21/837
 D618,899 S * 7/2010 Hoogendoorn D3/5
 D622,951 S * 9/2010 You D3/5
 D623,393 S * 9/2010 You D3/5
 D624,302 S * 9/2010 Rodriguez D3/5
 D665,569 S * 8/2012 Ketcher D3/5
 D674,180 S * 1/2013 Ketcher D3/5
 D693,894 S * 11/2013 Brensinger D21/834
 9,243,747 B2 * 1/2016 Ramberg F16M 13/022
 10,182,627 B2 * 1/2019 Nei A45B 25/02

FOREIGN PATENT DOCUMENTS

CN 303302351 S 7/2015
 CN 304292295 S 9/2017

* cited by examiner

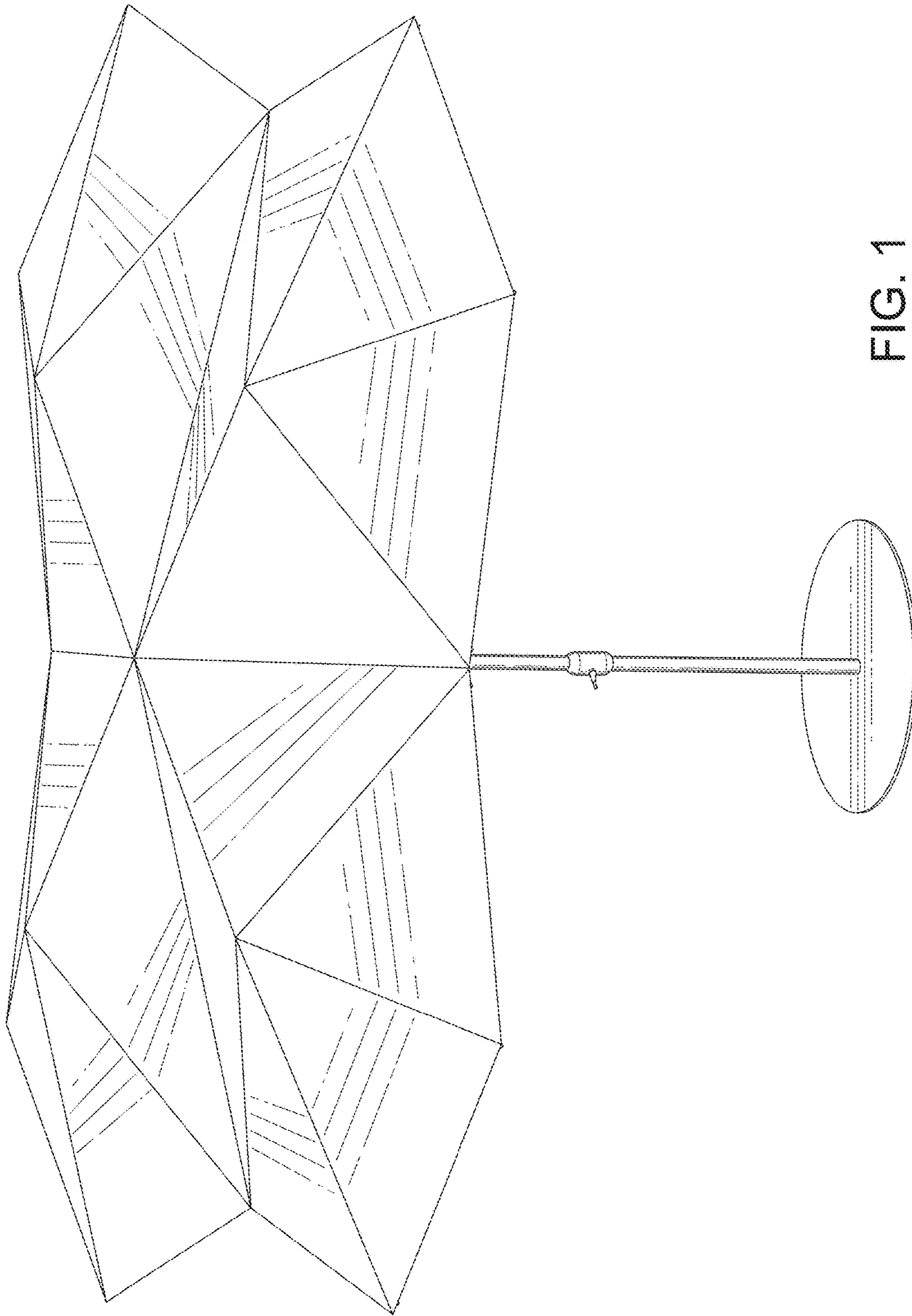


FIG. 1

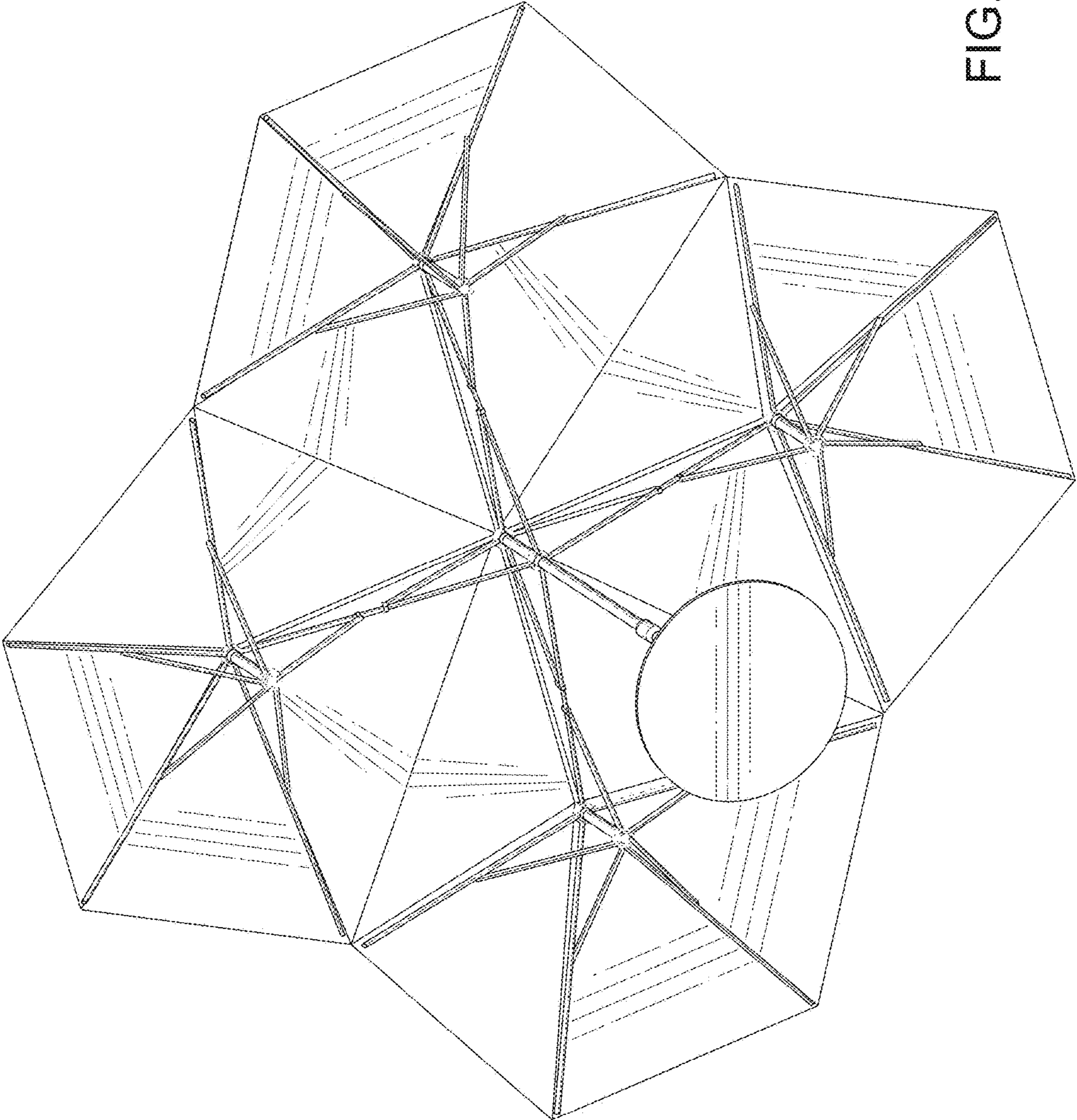


FIG. 2

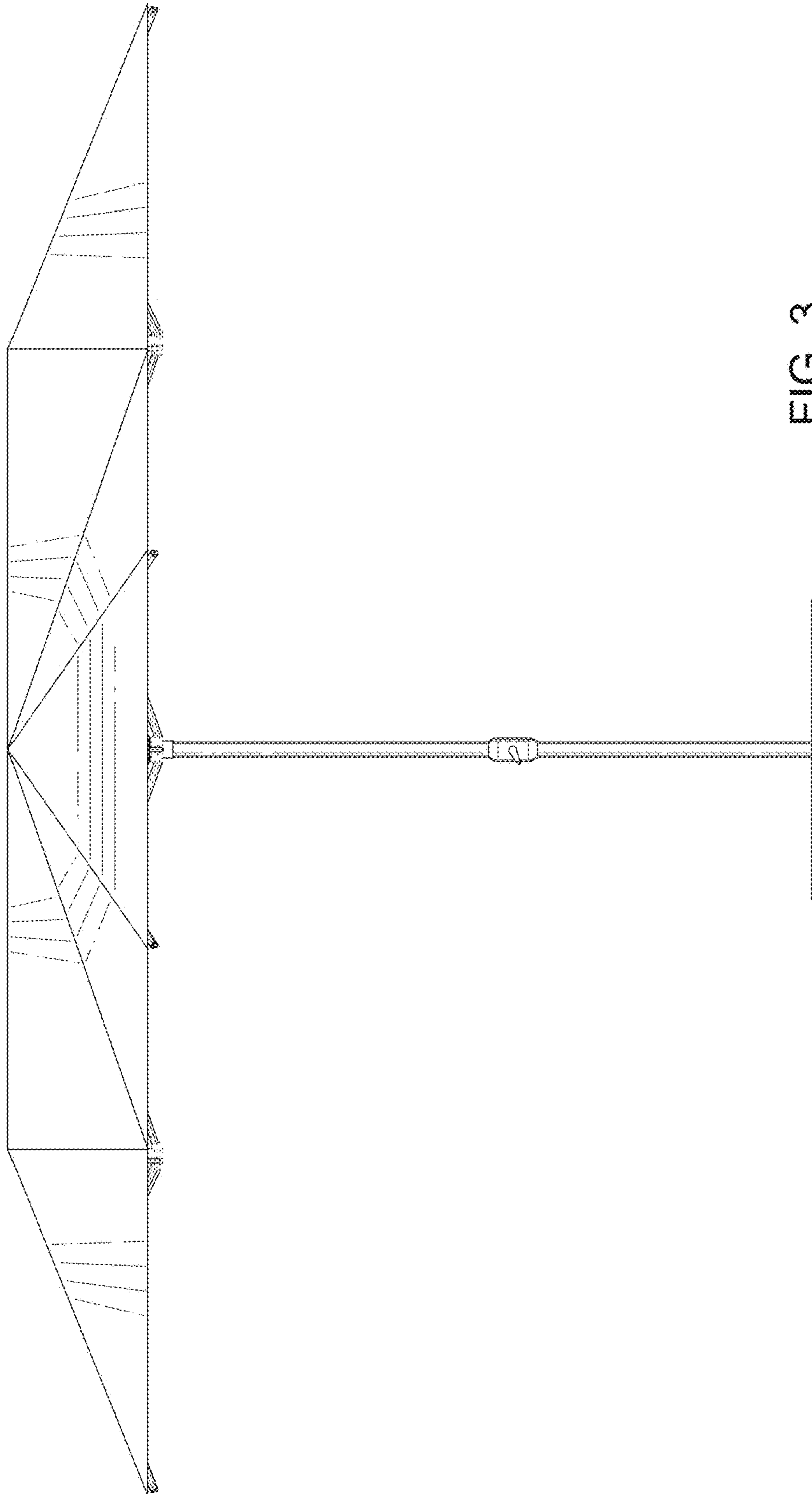


FIG. 3

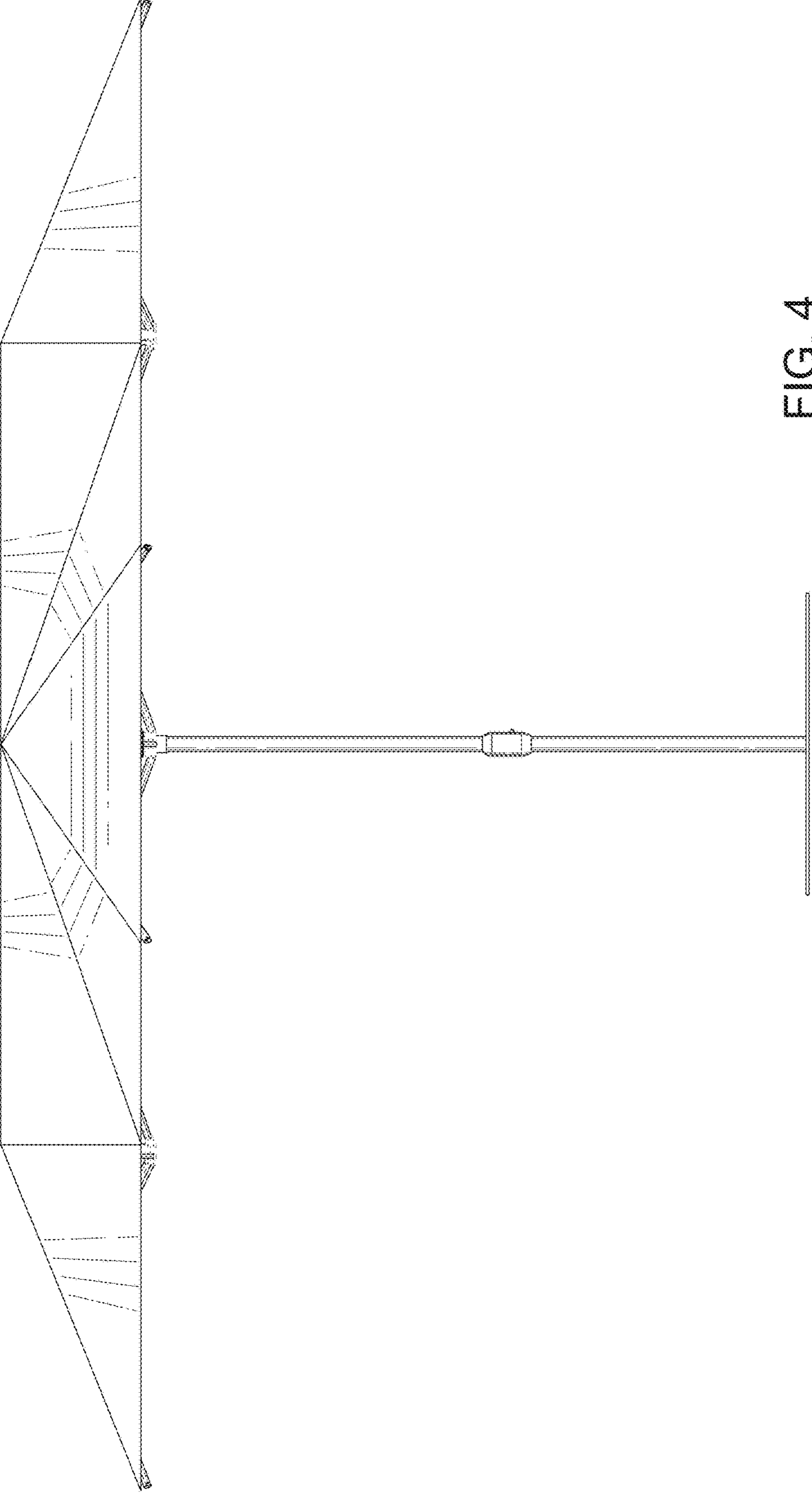


FIG. 4

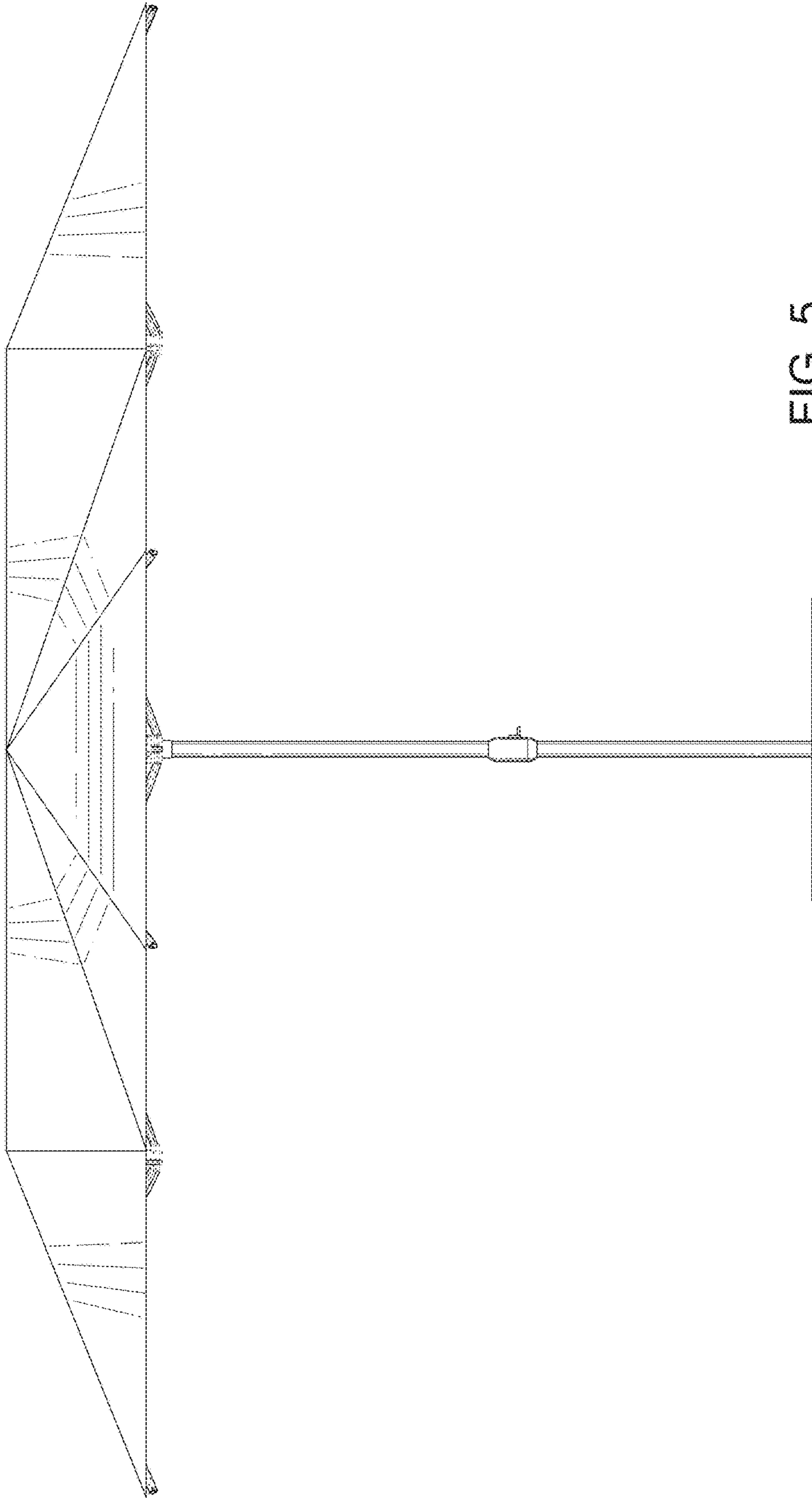


FIG. 5

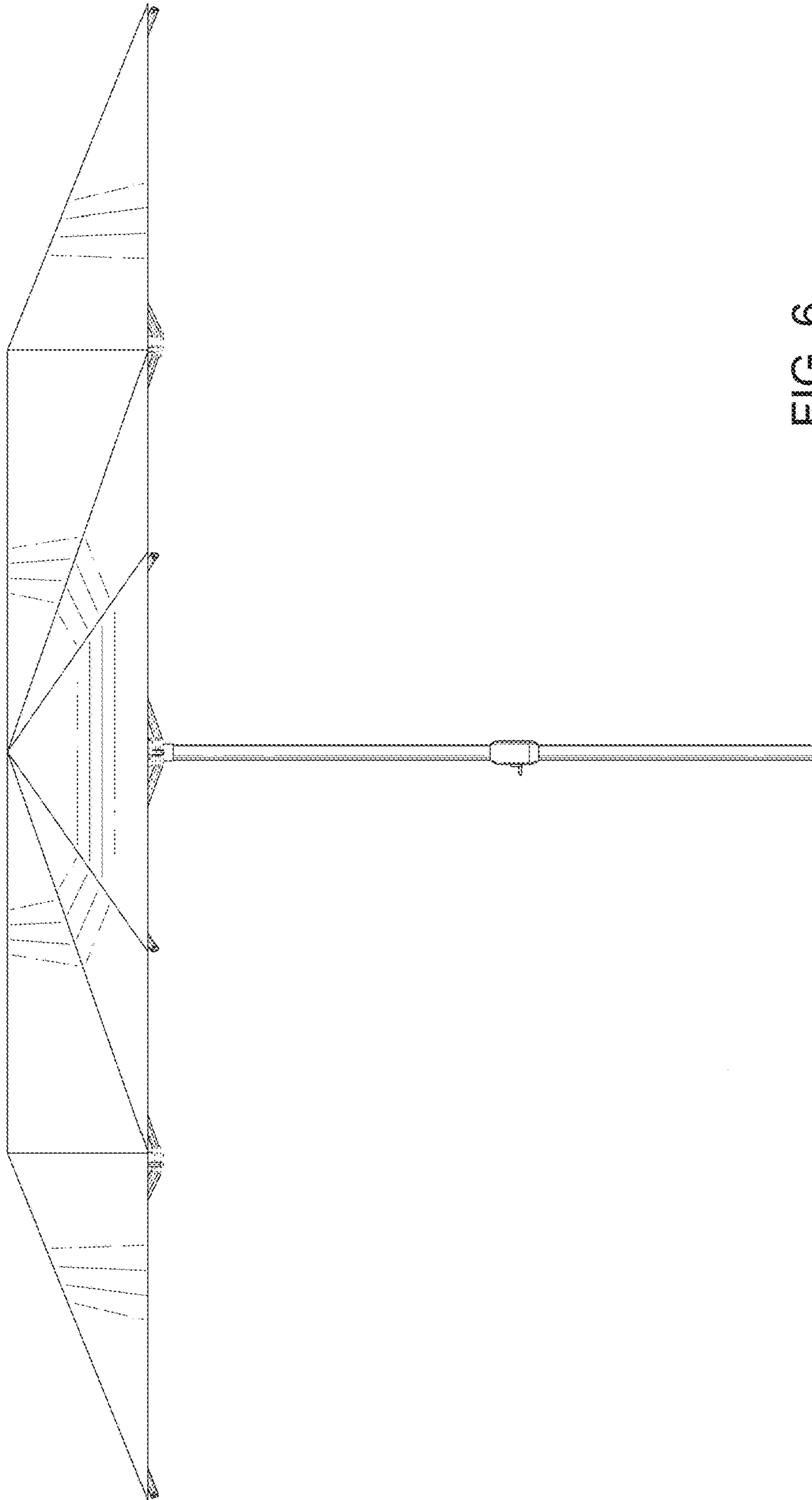


FIG. 6

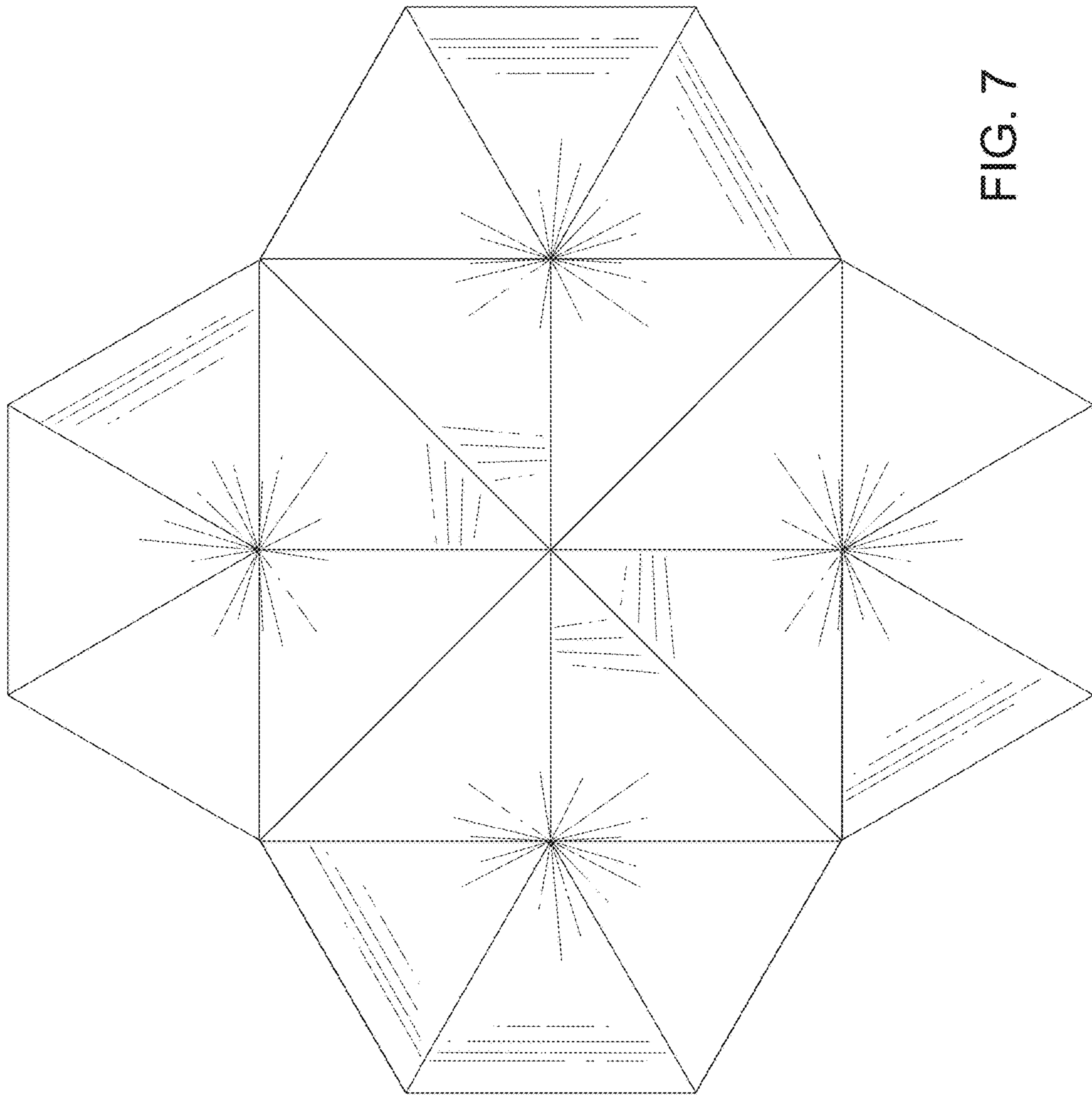


FIG. 7

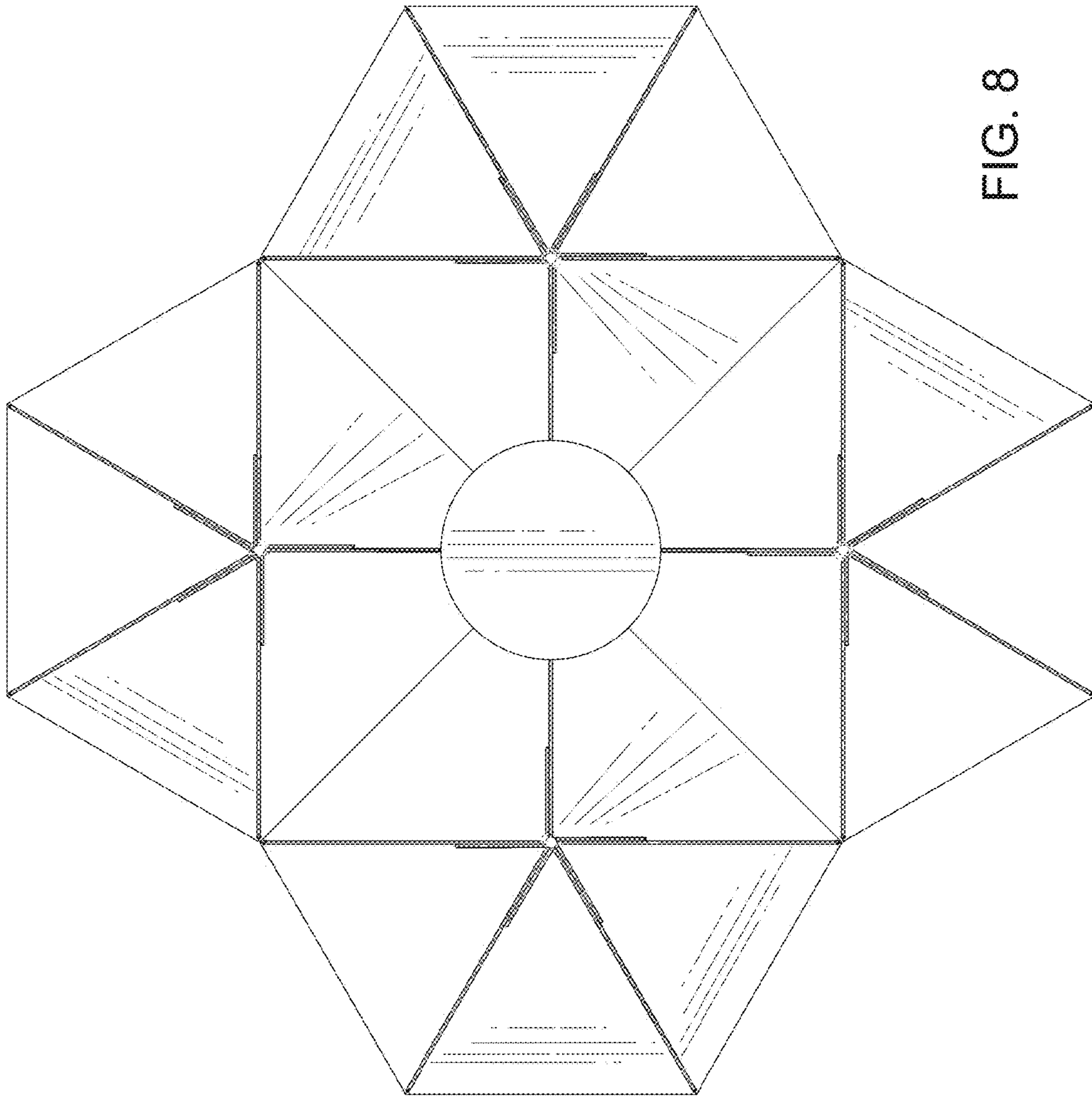


FIG. 8