



US00D864539S

(12) **United States Design Patent**
Fuerst, Sr.

(10) **Patent No.:** **US D864,539 S**
(45) **Date of Patent:** **** Oct. 29, 2019**

(54) **OUTSOLE FOR A FOOTWEAR ARTICLE**

(71) Applicant: **Fuerst Group, Inc.**, Menlo Park, CA (US)

(72) Inventor: **Rory Fuerst, Sr.**, Atherton, CA (US)

(73) Assignee: **Fuerst Group, Inc.**, Menlo Park, CA (US)

(**) Term: **15 Years**

(21) Appl. No.: **29/613,536**

(22) Filed: **Aug. 10, 2017**

(51) **LOC (12) Cl.** **02-04**

(52) **U.S. Cl.**
USPC **D2/957; D2/947; D2/951; D2/959; D2/960**

(58) **Field of Classification Search**

USPC **D2/902, 906, 908, 916, 918, 925, D2/946-962, 977; 36/1, 1.5, 3 B, 22 R,**
(Continued)

(56) **References Cited**

U.S. PATENT DOCUMENTS

D333,555 S * 3/1993 Hatfield D2/953
D354,845 S * 1/1995 Bramani D2/957
(Continued)

OTHER PUBLICATIONS

Men's Targhee III Waterproof, KeenFootwear.com, [online], [site visited Nov. 1, 2018]. <URL: https://www.keenfootwear.com/p/M-TARGHEE-III-WP.html?dwvar_M-TARGHEE-III-WP_color=1017783&cgid=mens_footwear> (Year: 2018).*

(Continued)

Primary Examiner — T Chase Nelson

Assistant Examiner — Jonathan J. Han

(74) *Attorney, Agent, or Firm* — McCoy Russell LLP

(57) **CLAIM**

An ornamental design for an outsole for a footwear article, as shown and described.

DESCRIPTION

FIG. 1 is a right side view of a first embodiment of an outsole for a footwear article according to the present invention.

FIG. 2 is a left side view of the outsole for a footwear article of FIG. 1.

FIG. 3 is a top view of the outsole for a footwear article of FIG. 1.

FIG. 4 is a bottom view of the outsole for a footwear article of FIG. 1.

FIG. 5 is a back view of the outsole for a footwear article of FIG. 1.

FIG. 6 is a front perspective view of the outsole for a footwear article of FIG. 1.

FIG. 7 is a right side view of a second embodiment of the outsole for a footwear article according to the present invention.

FIG. 8 is a left side view of the outsole for a footwear article of FIG. 7.

FIG. 9 is a top view of the outsole for a footwear article of FIG. 7.

FIG. 10 is a bottom view of the outsole for a footwear article of FIG. 7.

FIG. 11 is a back view of the outsole for a footwear article of FIG. 7; and,

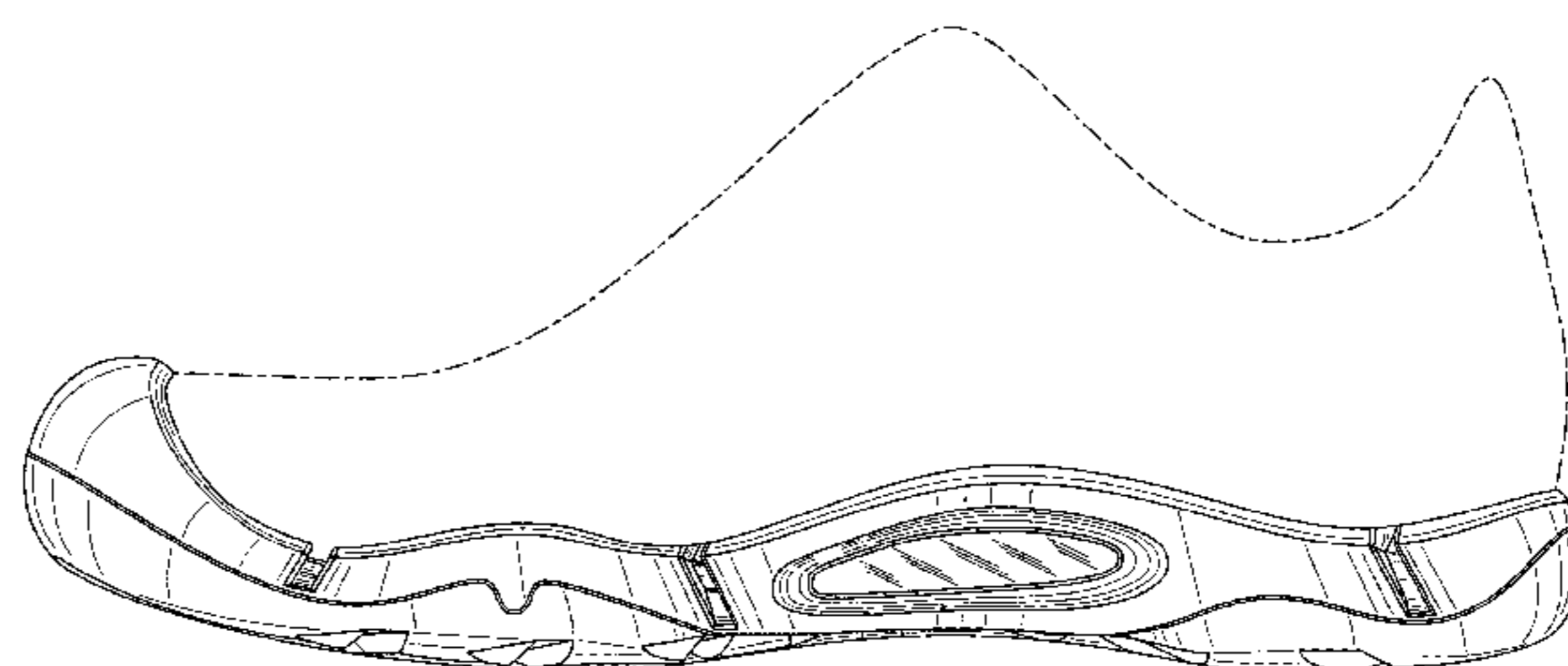
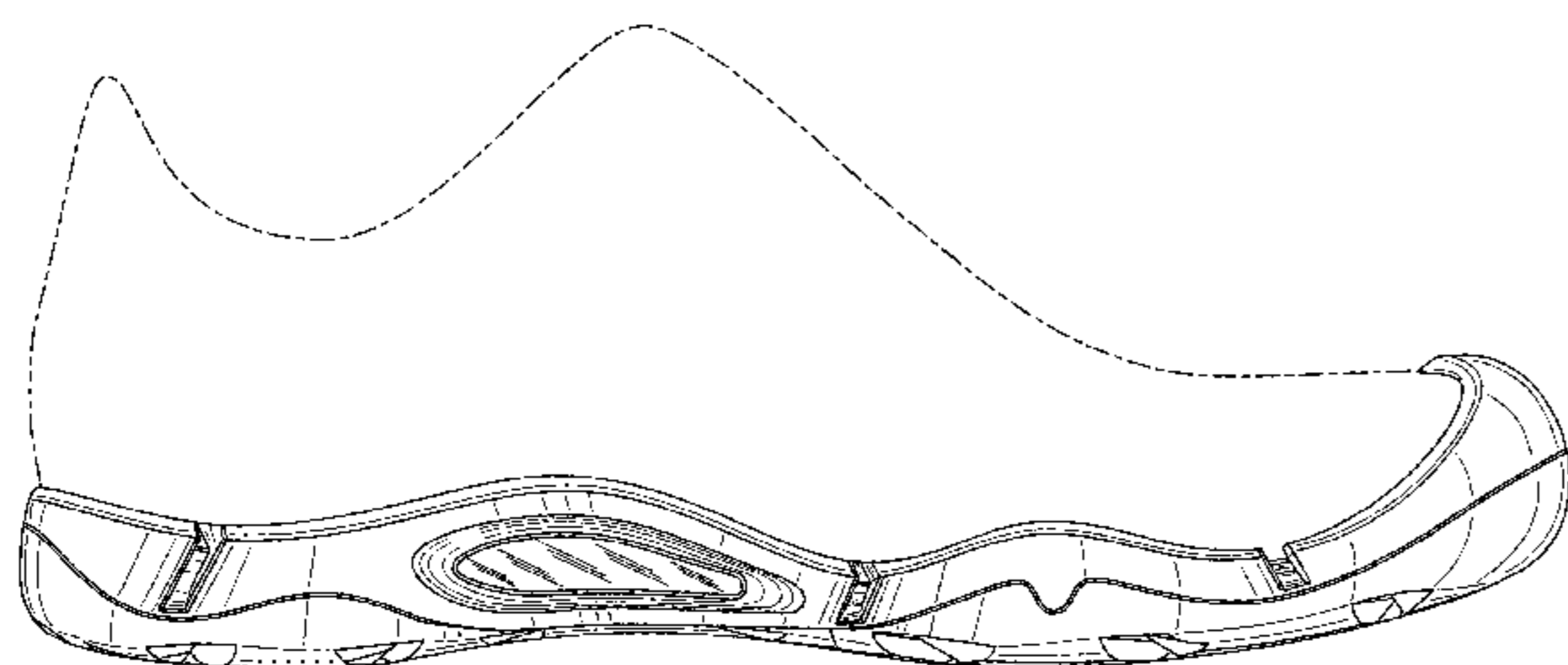
FIG. 12 is a front perspective view of the outsole for a footwear article of FIG. 7.

The even length broken lines in FIGS. 3-4 and FIGS. 9-10 are used to illustrate unclaimed portions of the invention and form no part of the claimed design. The dash-dot-dash broken lines in FIGS. 1 & 2, FIGS. 5-8, and FIGS. 11 & 12 illustrate unclaimed environmental structure and form no part of the claimed design.

The oblique line shading shown by FIGS. 1, 2, & 4 on the oblong side portions of the invention represent translucent surfaces on the first embodiment of the outsole for a footwear article.

The second embodiment of the outsole for a footwear article shown in FIGS. 7-12 includes stipple shading to show

(Continued)



contrasting materials. The first stipple shading shown in FIGS. 7-12 has the lowest dot density. The second stipple shading shown in FIGS. 7 & 8 and FIGS. 10-12 has the second-lowest dot density. The third stipple shading shown in FIGS. 7 & 8 and FIG. 10 has the second-highest dot density. The fourth stipple shading shown in FIGS. 10-12 has the highest dot density. The stipple shading is shown to indicate contrast in materials, namely material appearance, relative to each other.

1 Claim, 10 Drawing Sheets

(58) Field of Classification Search

USPC 36/24.5, 25 R, 28, 32 R, 34 R, 59 C,
36/67 A, 101-107, 114-116, 117.3, 117.4,
36/124-136; D12/544
CPC A43B 13/00; A43B 13/02; A43B 13/023;
A43B 13/026; A43B 13/04; A43B 13/08;
A43B 13/10; A43B 13/12; A43B 13/14;
A43B 13/141; A43B 13/143; A43B
13/16; A43B 13/18; A43B 13/181; A43B
13/187; A43B 13/189; A43B 13/20; A43B
13/22; A43B 13/223; A43B 13/24; A43B
13/28; A43B 13/30; A43B 13/32; A43B
13/34; A43B 13/36

See application file for complete search history.

(56) References Cited

U.S. PATENT DOCUMENTS

D389,294 S * 1/1998 Fogg D2/957
D420,497 S * 2/2000 Panella D2/947
D450,914 S * 11/2001 Wilson D2/956
D499,536 S * 12/2004 Castleberry D2/947
D504,205 S * 4/2005 Andrews-Kramer D2/953
D506,306 S * 6/2005 Teague D2/953

D546,533 S * 7/2007 Chen D2/953
D551,834 S * 10/2007 Favreau D2/953
D588,791 S * 3/2009 Nelson D2/951
D601,334 S * 10/2009 Werman D2/951
D604,932 S * 12/2009 Le D2/951
D608,537 S * 1/2010 Anderson D2/951
D613,489 S * 4/2010 Horton D2/951
D655,902 S * 3/2012 Debiase D2/951
8,256,144 B2 * 9/2012 Comoli A43C 15/08
36/100
D680,726 S * 4/2013 Propet D2/951
D683,529 S * 6/2013 Marshall D2/951
D702,032 S * 4/2014 Nakano D2/951
D725,880 S * 4/2015 Bramani D2/951
D735,453 S * 8/2015 Monroy D2/951
D740,530 S * 10/2015 Truelsen D2/951
D755,490 S * 5/2016 Nakano D2/951
D783,961 S * 4/2017 Nelson D2/947
D801,658 S * 11/2017 Huard D2/960
D805,743 S * 12/2017 Feeney D2/906
D808,138 S * 1/2018 Monroy D2/957
D811,705 S * 3/2018 Hughes D2/957
10,039,343 B2 * 8/2018 Guyan A43B 13/186
10,104,934 B2 * 10/2018 Guyan A43B 13/186

OTHER PUBLICATIONS

Men's Brixen Waterproof Low, KeenFootwear.com, [online], [site visited Nov. 1, 2018]. <URL: https://www.keenfootwear.com/p/M-BRIXEN-LO-WP.html?dwvar_M-BRIXEN-LO-WP_color=1002268&cgid=mens_footwear> (Year: 2018).*

Men's Revel III, KeenFootwear.com, [online], [site visited Nov. 1, 2018]. <URL: https://www.keenfootwear.com/p/M-REVEL-III.html?dwvar_M-REVEL-III_color=1013305&cgid=mens_footwear> (Year: 2018).*

Keen Jamison Sneaker Review—Back-To-School Footwear for 2013!, aHappyHippyMom.com, By Michelle Jacklett, Aug. 2013, [online], [site visited Nov. 1, 2018]. <URL: <https://www.ahappyhippymom.com/2013/08/keen-jamison-sneaker-review-back-to-school-footwear-for-2013.html>> (Year: 2013).*

* cited by examiner

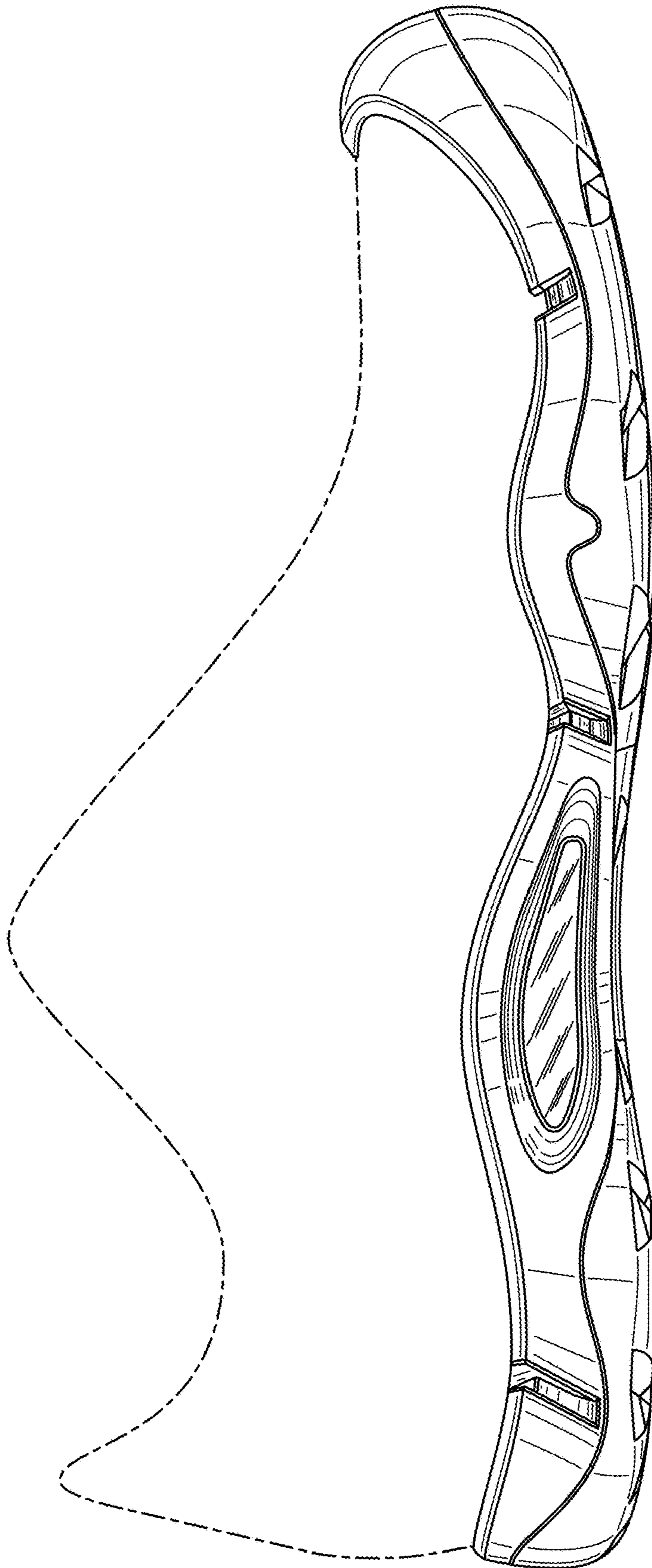


FIG. 1

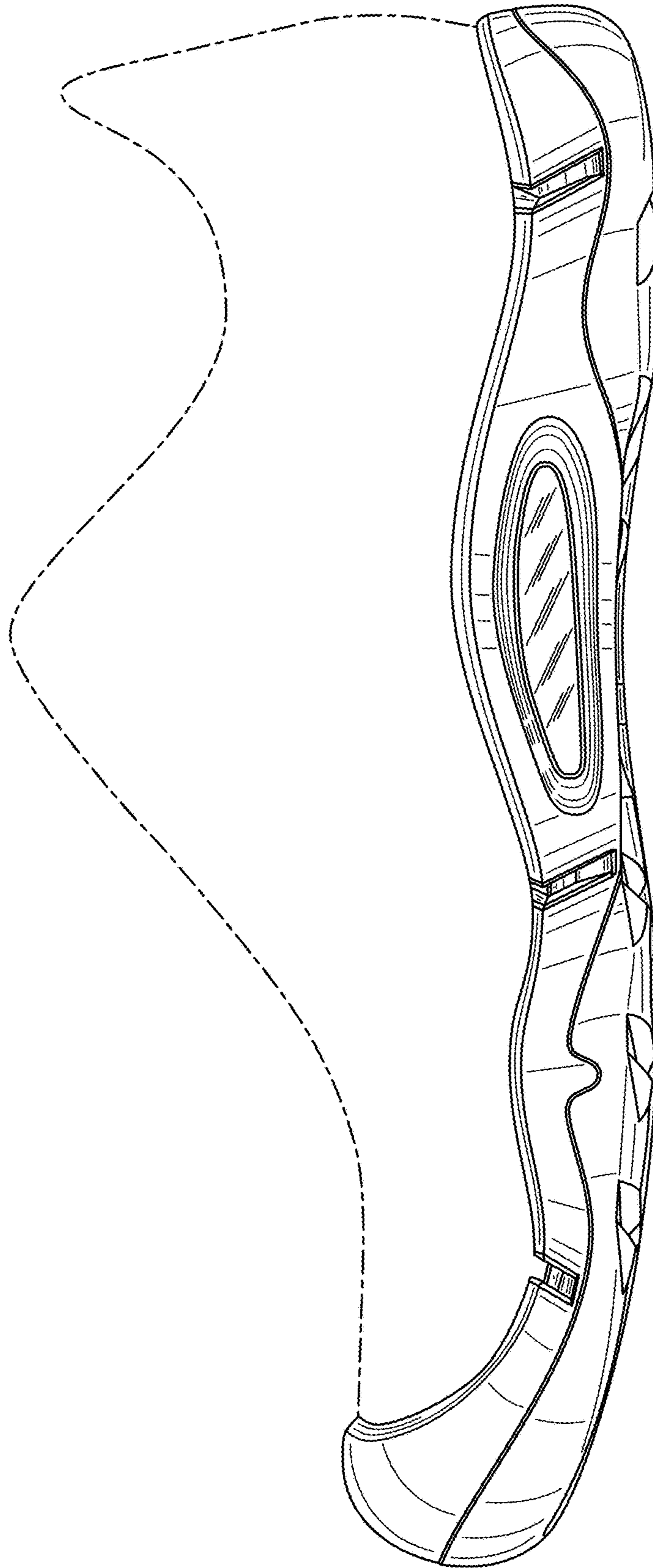


FIG. 2

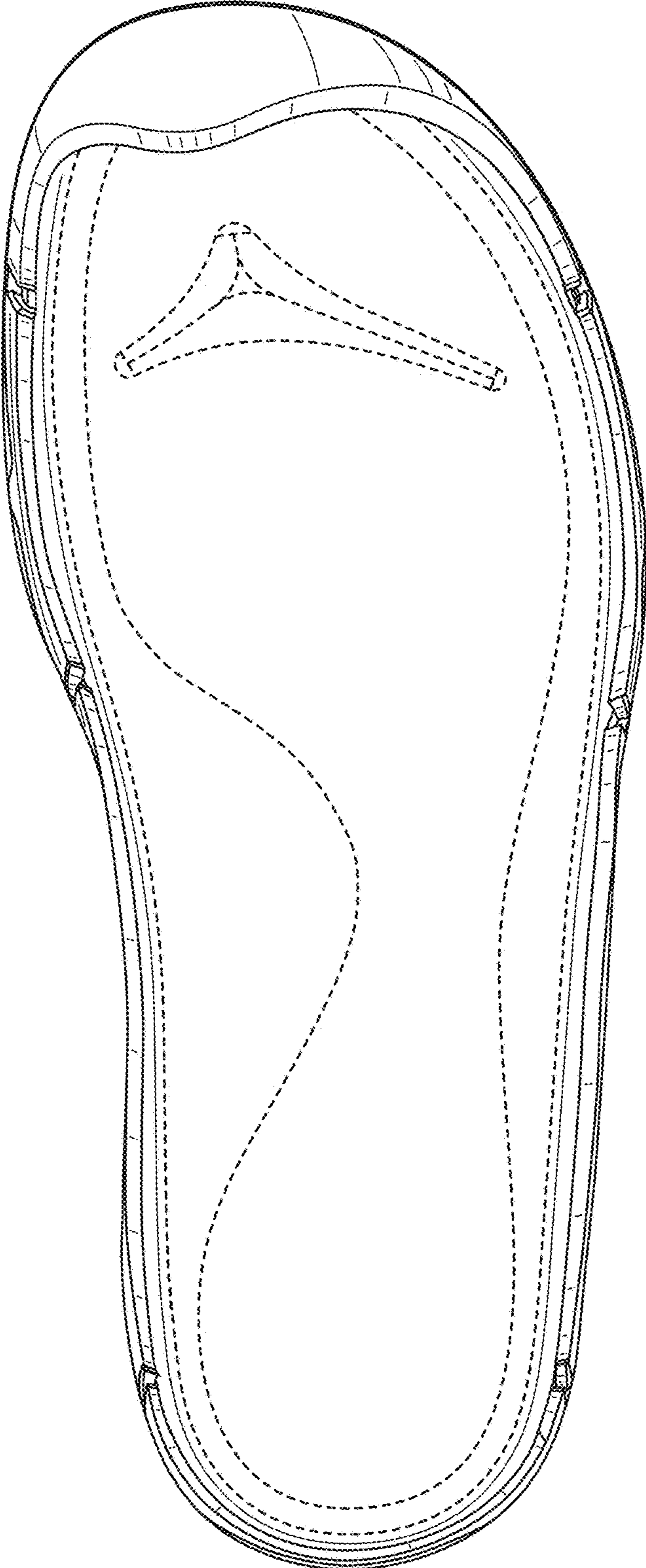


FIG. 3

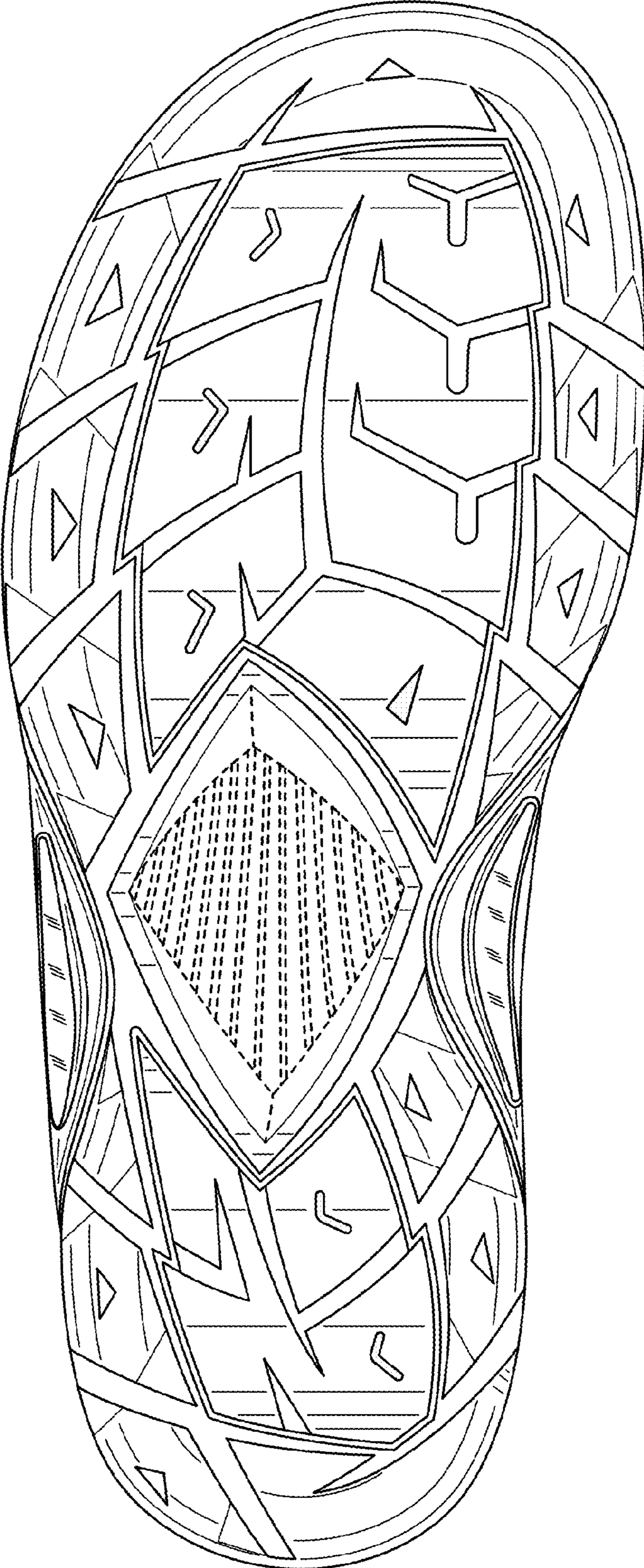


FIG. 4

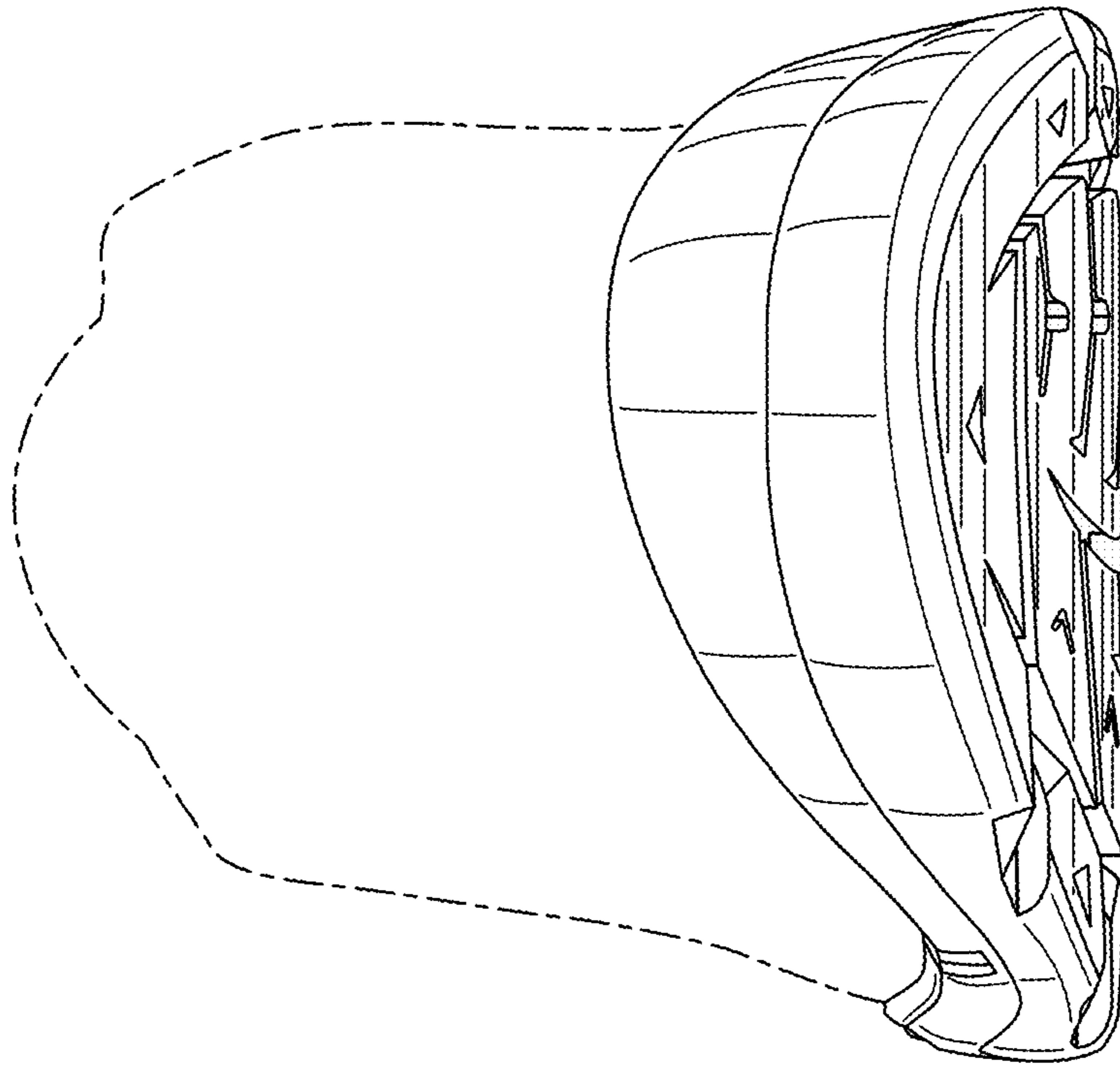


FIG. 5

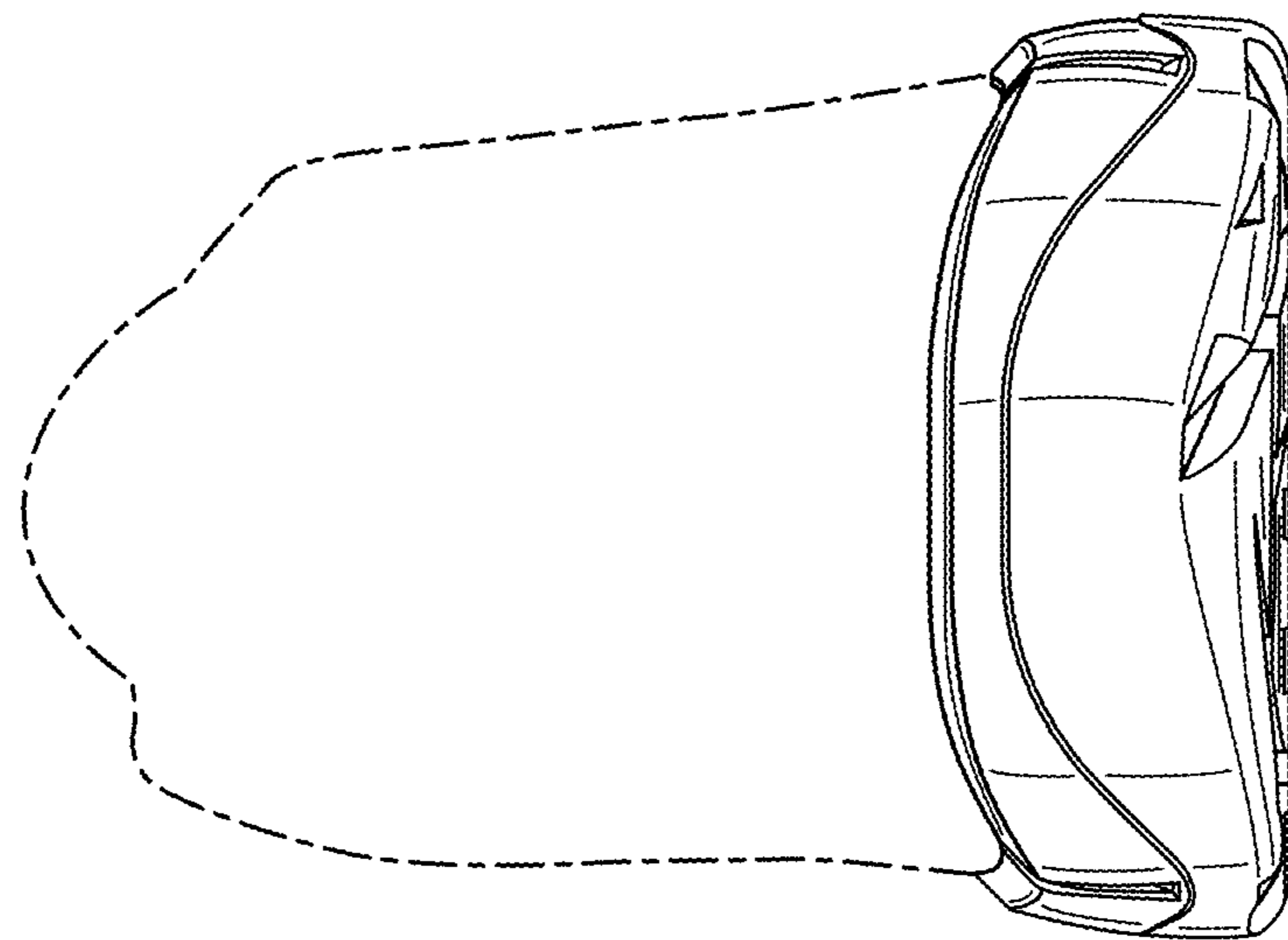


FIG. 6

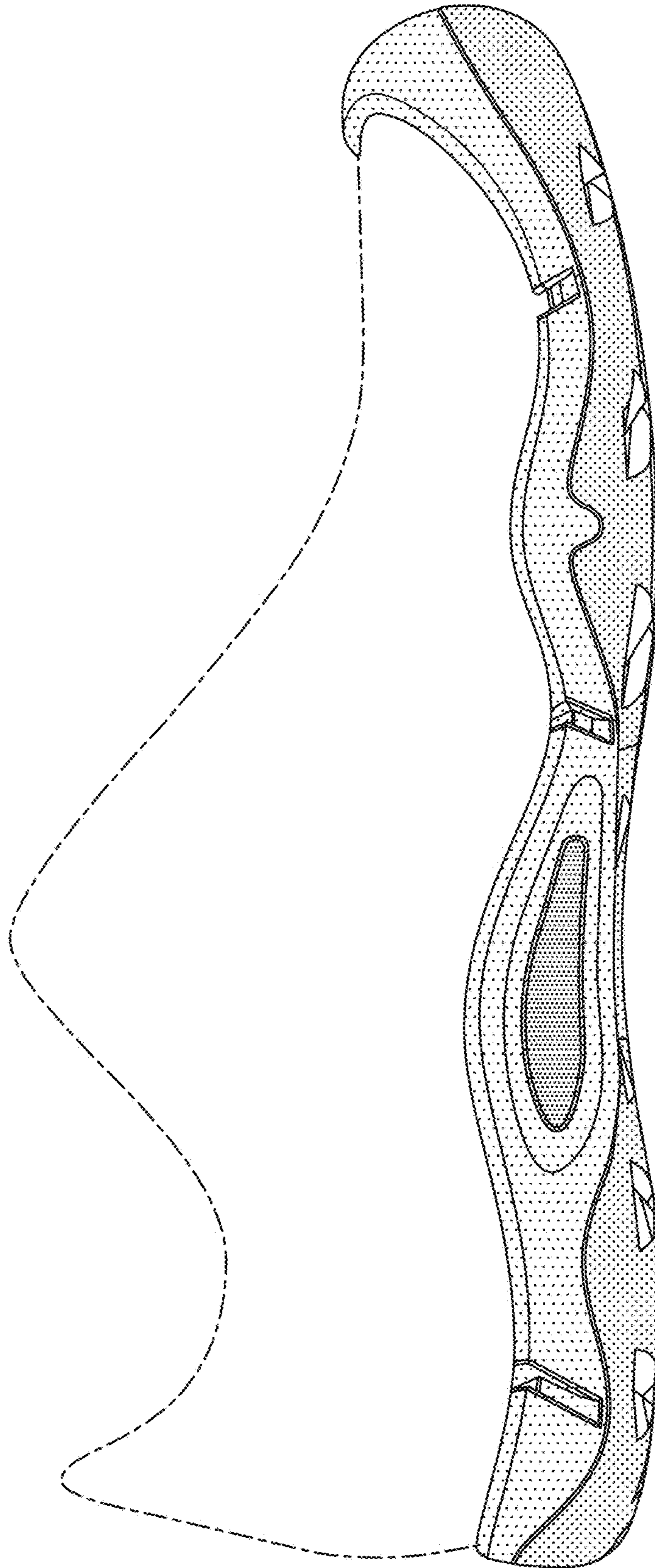


FIG. 7

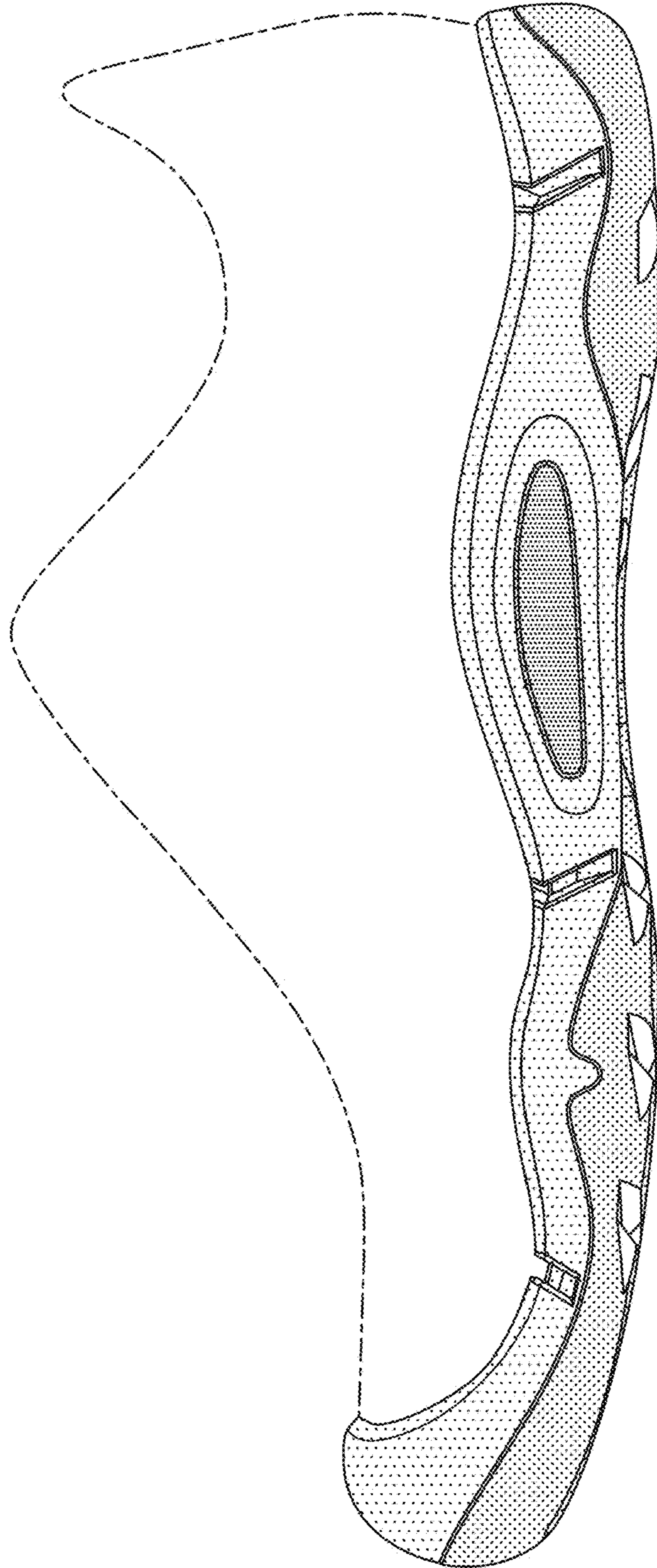


FIG. 8

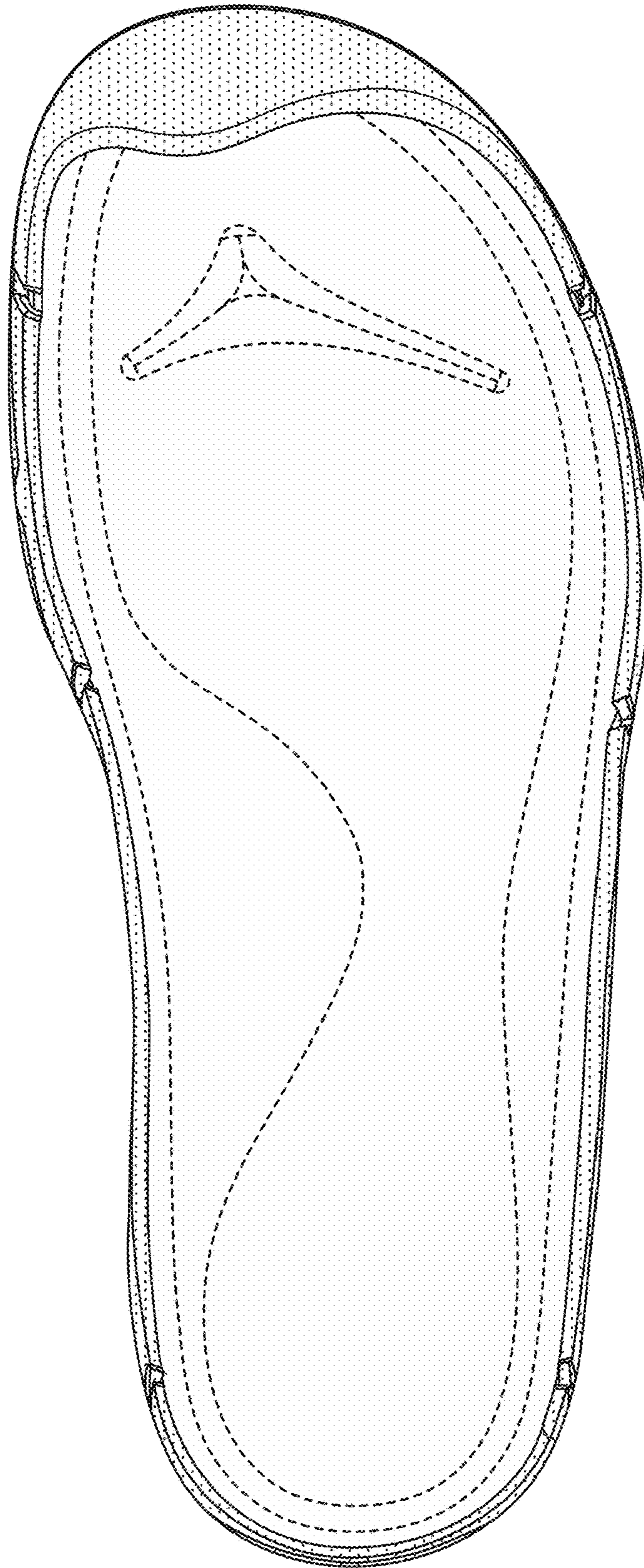


FIG. 9

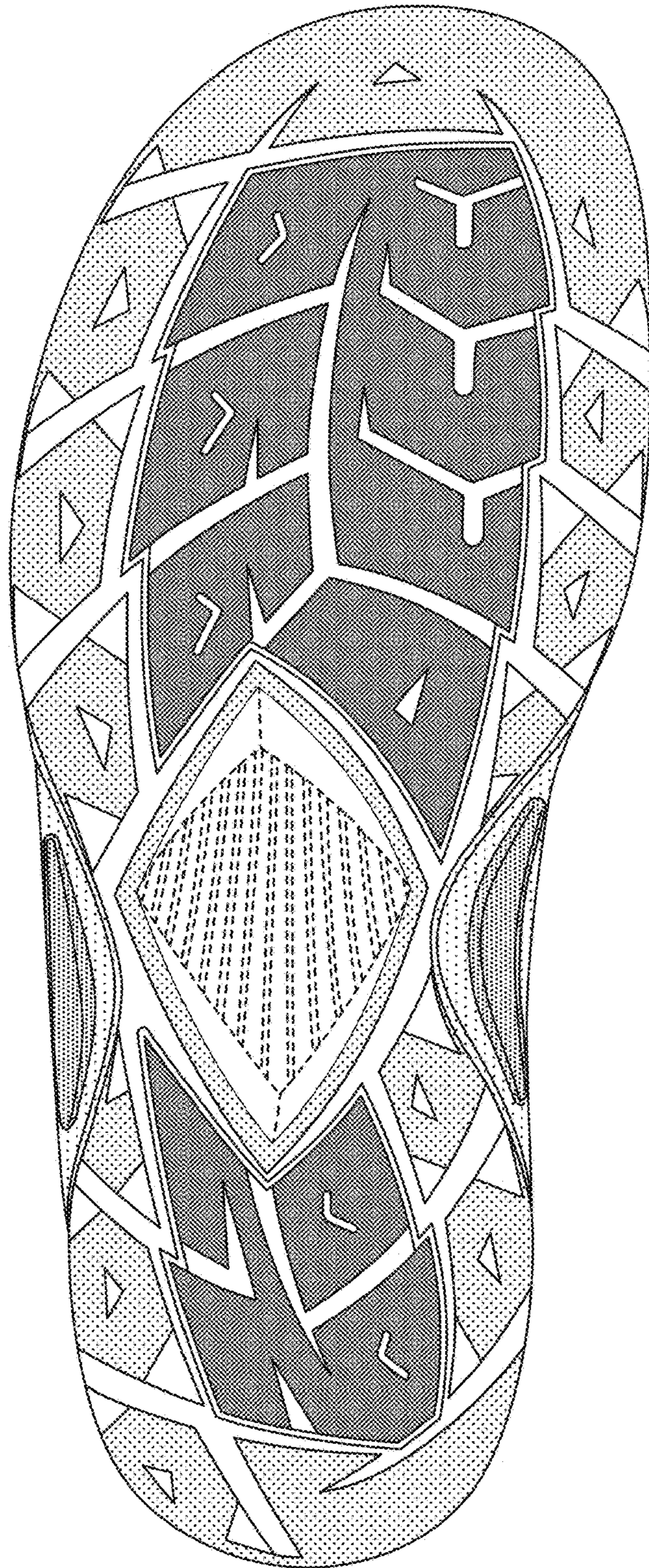


FIG. 10

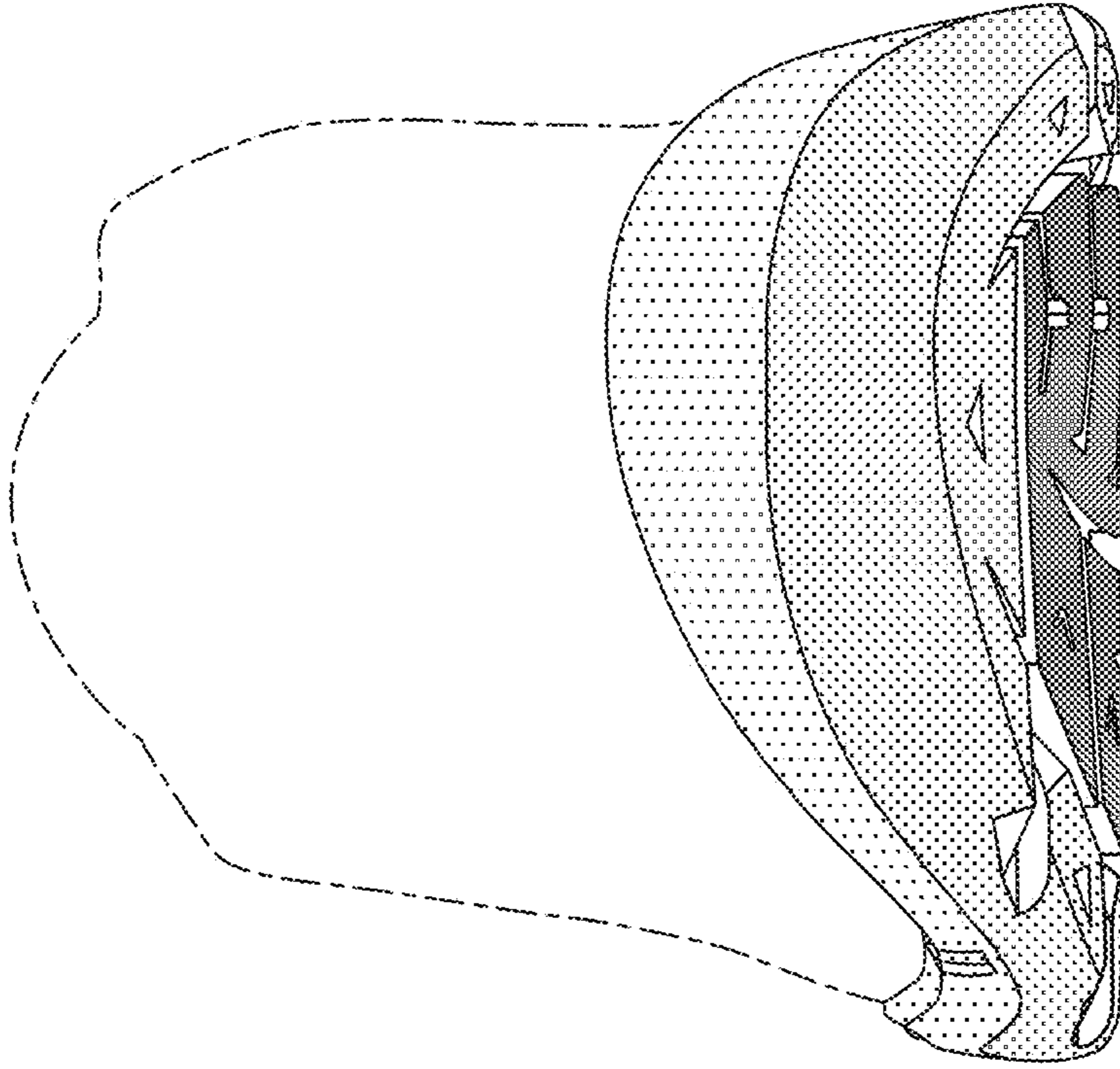


FIG. 11

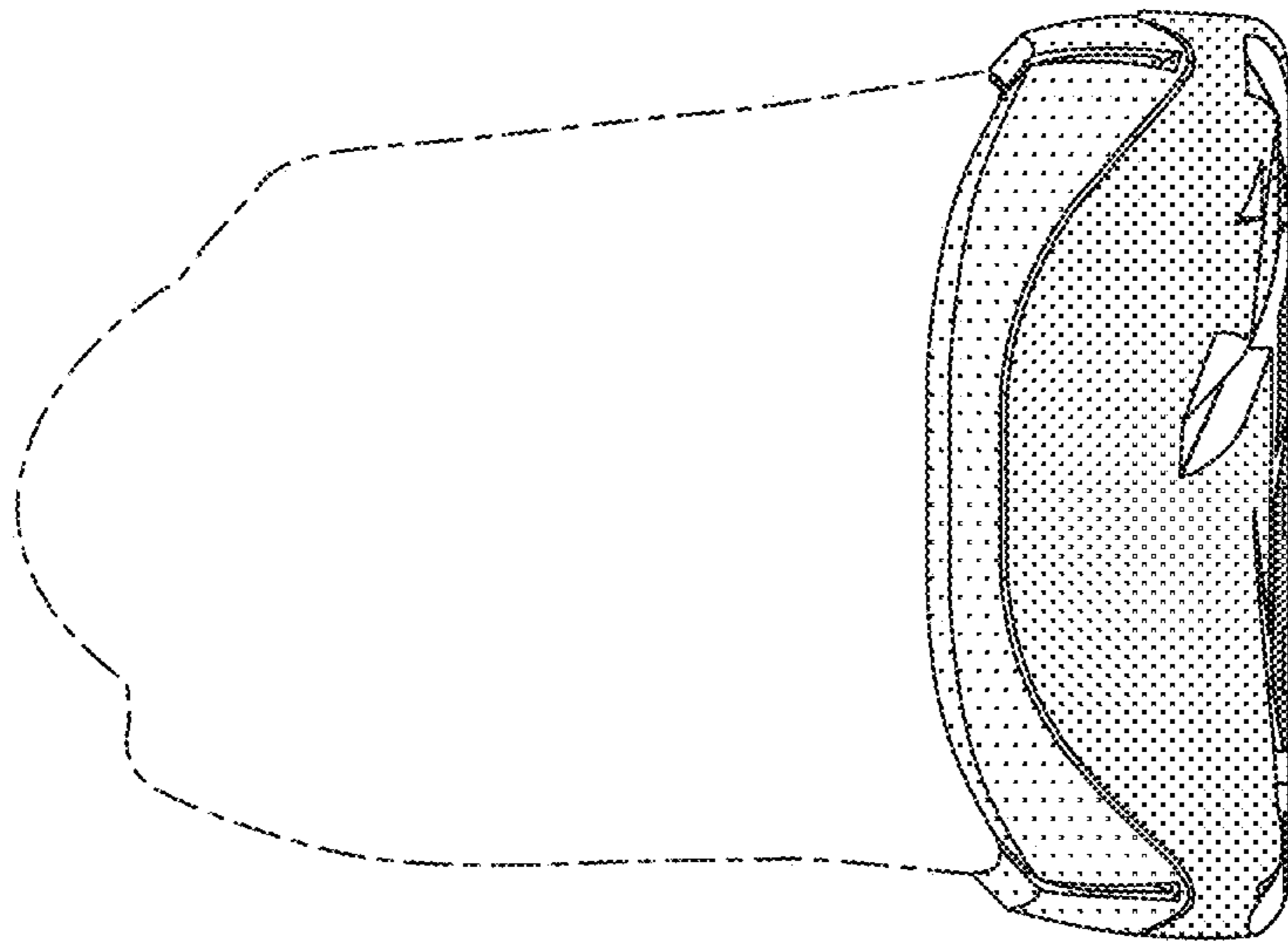


FIG. 12