



US00D864535S

(12) **United States Design Patent**  
**Johnson**

(10) **Patent No.:** **US D864,535 S**

(45) **Date of Patent:** **\*\* Oct. 29, 2019**

(54) **SHOE STRAP**

(71) Applicant: **Kickstands, Inc.**, St. Cloud, MN (US)

(72) Inventor: **Michelle Mary Johnson**, St. Cloud, MN (US)

(73) Assignee: **Kickstands, Inc.**, St. Cloud, MN (US)

(\*\*) Term: **15 Years**

(21) Appl. No.: **29/631,448**

(22) Filed: **Dec. 29, 2017**

(51) **LOC (12) Cl.** ..... **02-02**

(52) **U.S. Cl.**  
USPC ..... **D2/946; D2/976; D2/978**

(58) **Field of Classification Search**  
USPC ..... D2/896, 901, 902, 907-909, 912,  
D2/943-946, 962, 969, 970, 972-974,  
D2/976, 978

(Continued)

(56) **References Cited**

**U.S. PATENT DOCUMENTS**

1,196,281 A 8/1916 Quarters  
1,252,149 A \* 1/1918 Muse ..... A43B 23/28  
36/58.5

(Continued)

**OTHER PUBLICATIONS**

“New High Heel Accessory Aims to Disrupt Footwear Industry”  
Global News Wire. Dec. 4, 2017 <<https://globenewswire.com/news-release/2017/12/04/1220196/0/en/NEW-HIGH-HEEL-ACCESSORY-AIMS-TO-DISRUPT-FOOTWEAR-INDUSTRY.html>> Accessed on  
Sep. 26, 2018.\*

(Continued)

*Primary Examiner* — Kevin K Rudzinski

*Assistant Examiner* — Clare Ann Gannon

(74) *Attorney, Agent, or Firm* — Pauly, DeVries Smith & Deffner LLC

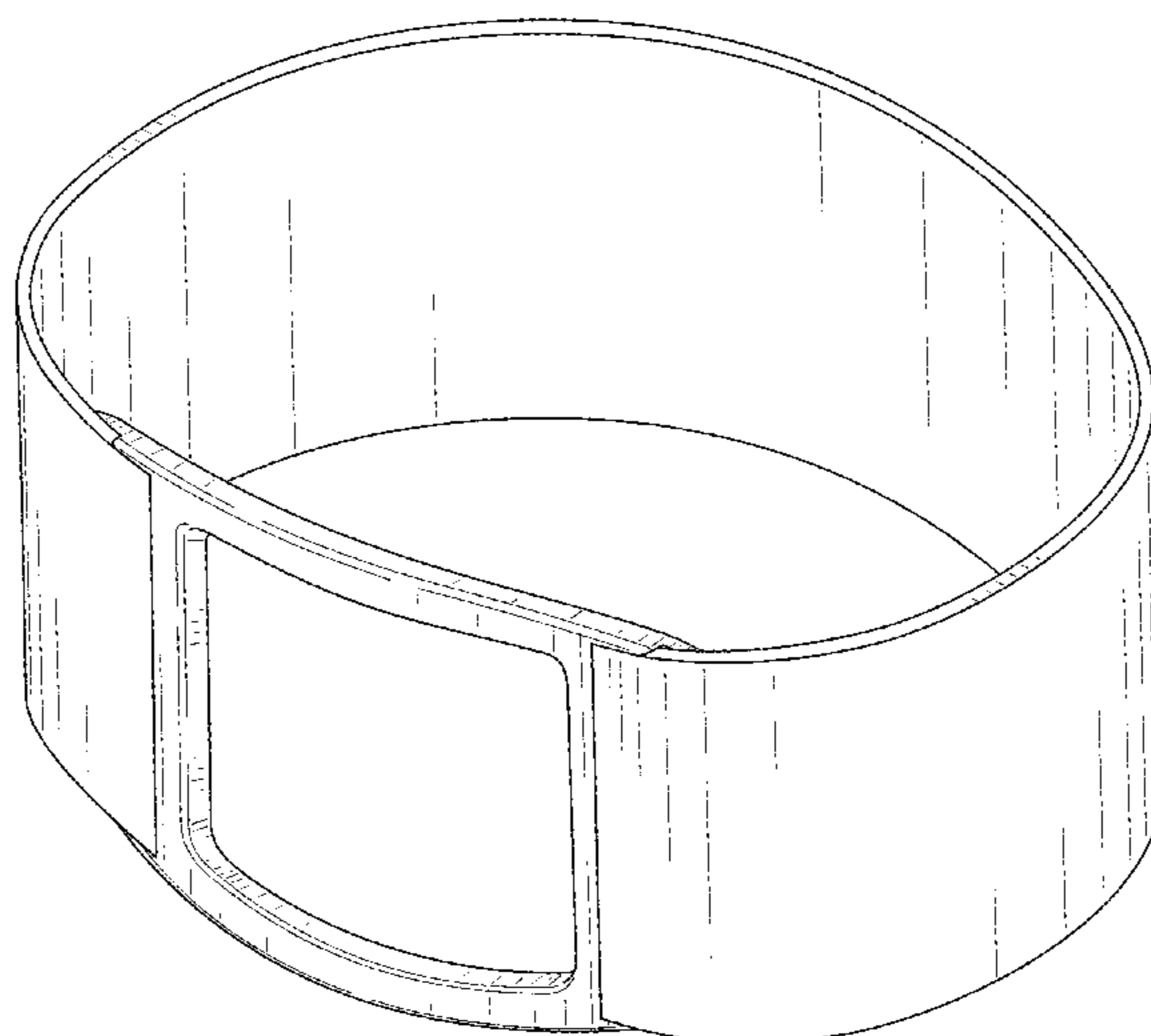
(57) **CLAIM**

The ornamental design for a shoe strap, as shown and described.

**DESCRIPTION**

FIG. 1 is a front top right perspective view of a shoe strap.  
FIG. 2 is a front elevation view of the shoe strap.  
FIG. 3 is a rear elevation view of the shoe strap.  
FIG. 4 is a right side elevation view of the shoe strap.  
FIG. 5 is a left side elevation view of the shoe strap.  
FIG. 6 is a top plan view of the shoe strap.  
FIG. 7 is a bottom plan view of the shoe strap.  
FIG. 8 is a rear top left perspective view of the shoe strap.  
FIG. 9 is a front top right perspective view of an insert portion of the shoe strap in a different configuration with the remainder of the shoe strap removed for illustration purposes.  
FIG. 10 is a front elevation view of the insert portion of the shoe strap in a different configuration with the remainder of the shoe strap removed for illustration purposes.  
FIG. 11 is a rear elevation view of the insert portion of the shoe strap in a different configuration with the remainder of the shoe strap removed for illustration purposes.  
FIG. 12 is a right side elevation view of the insert portion of the shoe strap in a different configuration with the remainder of the shoe strap removed for illustration purposes.  
FIG. 13 is a left side elevation view of the insert portion of the shoe strap in a different configuration with the remainder of the shoe strap removed for illustration purposes.  
FIG. 14 is a top plan view of the insert portion of the shoe strap in a different configuration with the remainder of the shoe strap removed for illustration purposes; and,  
FIG. 15 is a bottom plan view of the insert portion of the shoe strap in a different configuration with the remainder of the shoe strap removed for illustration purposes.  
The broken lines in the drawings depict portions of the shoe strap that form no part of the claimed design.

**1 Claim, 9 Drawing Sheets**



(58) **Field of Classification Search**  
 CPC ..... A41D 17/00; A43B 5/10; A43B 5/06  
 See application file for complete search history.

(56) **References Cited**

U.S. PATENT DOCUMENTS

1,277,177 A 8/1918 Benedetti  
 1,572,213 A 2/1926 Lucas  
 1,655,715 A 1/1928 Sneeston  
 1,820,679 A 8/1931 Sawyer  
 D89,450 S \* 3/1933 Reiss ..... D11/4  
 2,166,958 A \* 7/1939 Lawson ..... A43C 15/063  
 36/62  
 2,214,085 A 9/1940 O'Neill  
 2,294,654 A \* 9/1942 Cooper ..... A42C 5/02  
 2/181  
 2,425,939 A \* 8/1947 Howard ..... A43C 15/063  
 36/62  
 2,434,064 A 1/1948 Bredin  
 2,765,174 A 10/1956 Strickler  
 3,187,446 A \* 6/1965 Boldemann ..... A43B 23/08  
 36/70 R  
 3,492,809 A \* 2/1970 Gisiger-Lusa ..... A44C 5/14  
 368/282  
 3,570,147 A 3/1971 Chiu  
 3,867,771 A 2/1975 Levine  
 4,060,185 A \* 11/1977 Kuroda ..... A44C 5/0092  
 224/176  
 4,288,930 A \* 9/1981 Bornell ..... A43B 5/12  
 36/132  
 D262,157 S \* 12/1981 Kinchen ..... D2/962  
 4,461,100 A 7/1984 Minor et al.  
 4,473,304 A \* 9/1984 Ketner ..... G04B 45/00  
 368/221  
 4,571,854 A \* 2/1986 Edens ..... A43B 1/0081  
 24/128  
 4,766,682 A \* 8/1988 Malloy, III ..... A43B 3/0078  
 36/132  
 4,854,056 A 8/1989 Levin  
 4,906,025 A \* 3/1990 Schreindl ..... A44C 5/0046  
 224/219  
 4,958,279 A \* 9/1990 Proellocks ..... G04B 37/1433  
 224/179  
 4,982,733 A 1/1991 Broadhurst et al.  
 D328,517 S \* 8/1992 Hallenbeck ..... D2/978  
 5,272,899 A 12/1993 Mediate  
 5,379,529 A 1/1995 Smith et al.  
 D375,612 S \* 11/1996 Elder ..... D10/111  
 5,594,954 A 1/1997 Huang  
 5,738,046 A 4/1998 Williams et al.  
 5,771,607 A 6/1998 Dean  
 5,775,007 A 7/1998 Expose  
 D438,374 S \* 3/2001 Hayman ..... D3/215  
 6,944,884 B1 9/2005 Sokolowski  
 D516,280 S \* 3/2006 Jarmon Mouchi ..... D2/946  
 D535,085 S \* 1/2007 Berg ..... D2/946  
 D546,225 S \* 7/2007 Brown ..... D11/4  
 D572,881 S \* 7/2008 Ringholz ..... D2/915  
 7,398,607 B1 7/2008 Garcia et al.  
 D604,037 S \* 11/2009 Feller ..... D2/946  
 7,614,126 B2 \* 11/2009 Gerhardt ..... A43B 3/126  
 24/712  
 D609,898 S \* 2/2010 Carbonere ..... D2/969  
 D611,819 S \* 3/2010 Slubski ..... D9/434  
 D612,588 S \* 3/2010 Feller ..... D2/946  
 7,682,070 B2 3/2010 Burton  
 D615,285 S \* 5/2010 Martin ..... D2/946  
 7,908,770 B2 3/2011 Mallamohamad  
 8,292,493 B2 \* 10/2012 Mooring ..... G04B 37/005  
 368/276  
 D680,715 S \* 4/2013 Johnson, Jr. ..... D2/901  
 D698,689 S \* 2/2014 Boyd ..... D11/4  
 D701,504 S \* 3/2014 Christopher ..... D14/344  
 D711,080 S \* 8/2014 Hollister ..... D2/946  
 D711,635 S \* 8/2014 Lowry ..... D2/901

8,973,162 B1 3/2015 Bretan et al.  
 D728,200 S \* 5/2015 Zerbo ..... D2/853  
 D729,681 S \* 5/2015 Lee ..... D11/3  
 D738,772 S \* 9/2015 Choi ..... D11/3  
 D752,321 S \* 3/2016 Sirius-El ..... D2/908  
 D754,960 S \* 5/2016 Fracassi ..... A43B 1/0081  
 D2/946  
 D761,007 S \* 7/2016 Lockwood ..... D2/976  
 D762,375 S \* 8/2016 Duarte ..... D11/5  
 D768,528 S \* 10/2016 Jung ..... D11/3  
 D768,529 S \* 10/2016 Jung ..... D11/3  
 D781,738 S \* 3/2017 Lee ..... D10/132  
 9,635,888 B2 5/2017 Ishihara et al.  
 D793,712 S \* 8/2017 McNeal ..... A43B 5/12  
 D2/976  
 9,833,043 B2 \* 12/2017 Ganci ..... A43C 11/1493  
 D811,388 S \* 2/2018 Rochat ..... A43C 15/063  
 D14/344  
 D819,951 S \* 6/2018 Lindsey ..... A43B 23/28  
 D2/978  
 D822,525 S \* 7/2018 Akana ..... D11/3  
 2004/0002673 A1 1/2004 Ferraioli  
 2005/0215933 A1 \* 9/2005 Stearns ..... A61F 5/0118  
 602/57  
 2006/0062090 A1 3/2006 Ast et al.  
 2006/0150304 A1 7/2006 Bentz  
 2006/0156586 A1 7/2006 Brunelle-wright  
 2007/0130813 A1 \* 6/2007 Stacy ..... A44C 5/003  
 40/633  
 2008/0235989 A1 10/2008 Agrawaz  
 2008/0244932 A1 10/2008 Nau  
 2008/0281243 A1 11/2008 Chang  
 2010/0000120 A1 1/2010 Krauss  
 2010/0299960 A1 \* 12/2010 Nyamuswa ..... A43C 11/14  
 36/89  
 2011/0078919 A1 4/2011 Yang  
 2012/0192459 A1 \* 8/2012 Aderonke ..... A43C 11/24  
 36/136  
 2012/0234043 A1 \* 9/2012 Guerrero, II ..... A44C 5/0007  
 63/13  
 2012/0246972 A1 10/2012 Newkirk  
 2013/0046220 A1 2/2013 Berthelot  
 2013/0269215 A1 \* 10/2013 Smirman ..... A43B 5/1641  
 36/102  
 2014/0144047 A1 5/2014 von Mettenheim  
 2014/0259763 A1 \* 9/2014 Rady ..... A43B 21/00  
 36/58.5  
 2015/0033584 A1 2/2015 Ferguson  
 2015/0080780 A1 3/2015 Pache  
 2015/0250281 A1 9/2015 Pinard  
 2015/0272276 A1 10/2015 Brown  
 2015/0374063 A1 12/2015 Jurgeto  
 2016/0073519 A1 \* 3/2016 Hiroki ..... G06F 1/163  
 361/749

OTHER PUBLICATIONS

Detachable, Reusable, Elasticated Shoe Straps by In Handbag Heaven. Oct. 31, 2015. Amazon.co.uk. <<https://www.amazon.co.uk/Detachable-Reusable-Elasticated-Decoration-Accessories/dp/B079JY7MW2>> Accessed on Sep. 26, 2018.\*  
 Loose shoes in the office? Get detachable Shoe Straps Eliza May ShooStraps. Youtube Video. Sep. 6, 2015. <<https://www.youtube.com/watch?v=TZSNKT-bqJE>> Accessed on Sep. 26, 2018.\*  
 "Spiked & Jewelled Detachable Shoe Straps". She Tease Blog. Jun. 19, 2015 <<https://www.shoe-tease.com/2015/06/19/detachable-shoe-straps-for-loose-shoes/>> Accessed on Sep. 26, 2018.\*  
 "Final Office Action," for U.S. Appl. No. 14/844,474 dated Mar. 22, 2018 (23 pages).  
 "Response to Final Office Action," for U.S. Appl. No. 14/844,474, filed with the USPTO Sep. 20, 2018 (13 pages).  
 File History for U.S. Appl. No. 14/844,474 downloaded Mar. 16, 2018 (371 pages).  
 "Non-Final Office Action," for U.S. Appl. No. 14/844,474 dated Jan. 10, 2019 (26 pages).

(56)

**References Cited**

OTHER PUBLICATIONS

“Non-Final Office Action,” for U.S. Appl. No. 29/608,204 dated Nov. 26, 2018 (26 pages).

\* cited by examiner

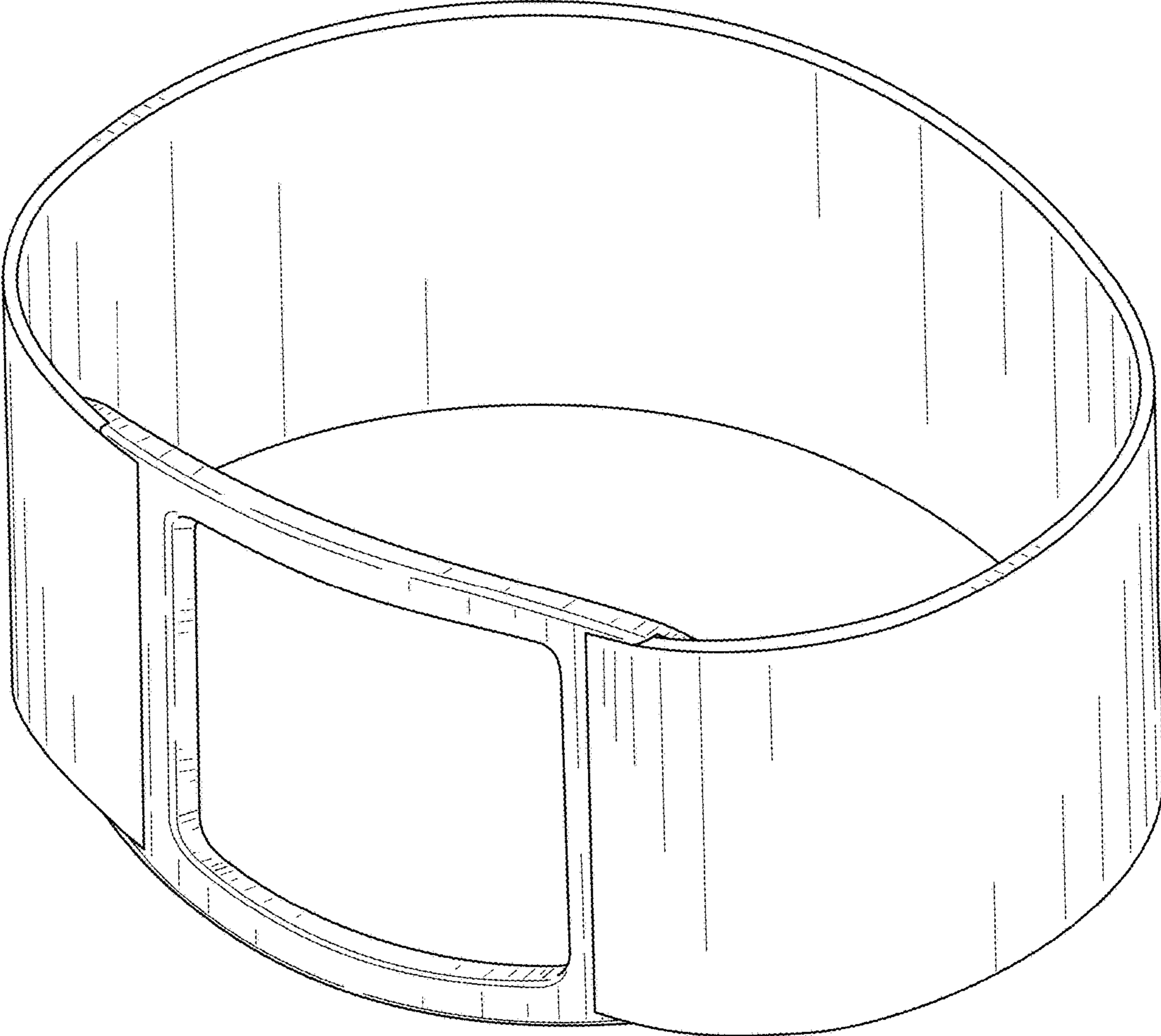


FIG. 1

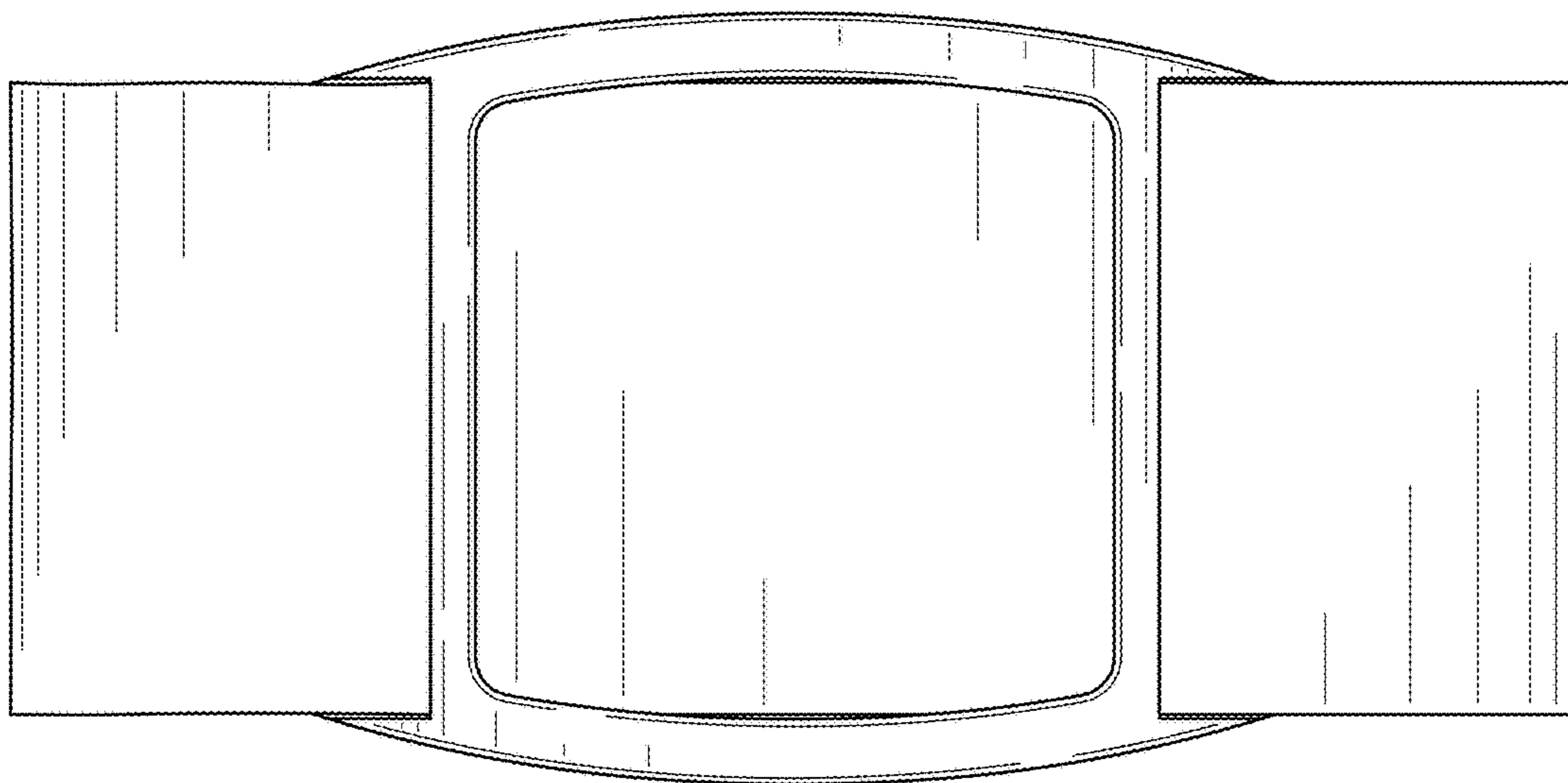


FIG. 2

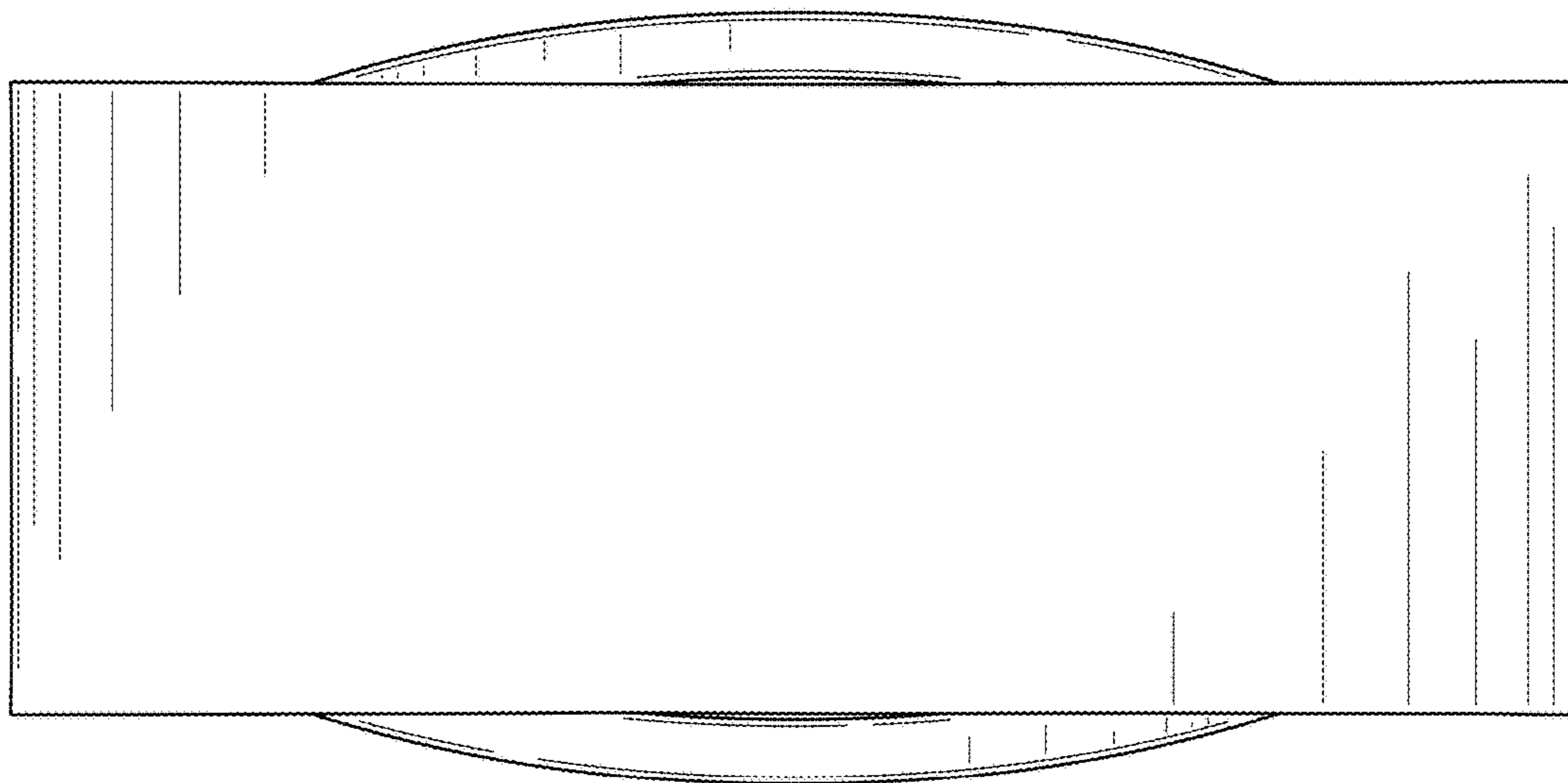


FIG. 3

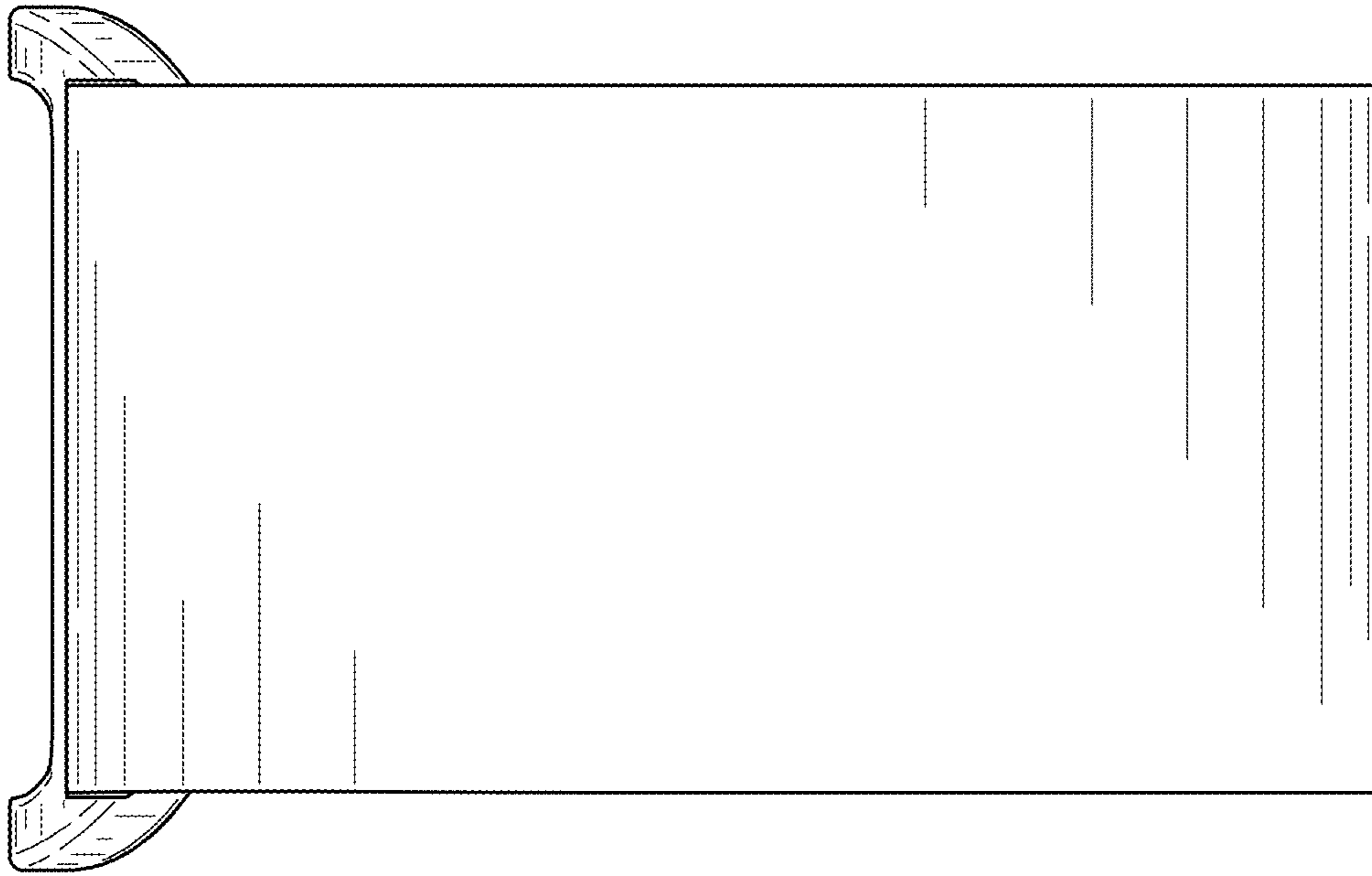


FIG. 4

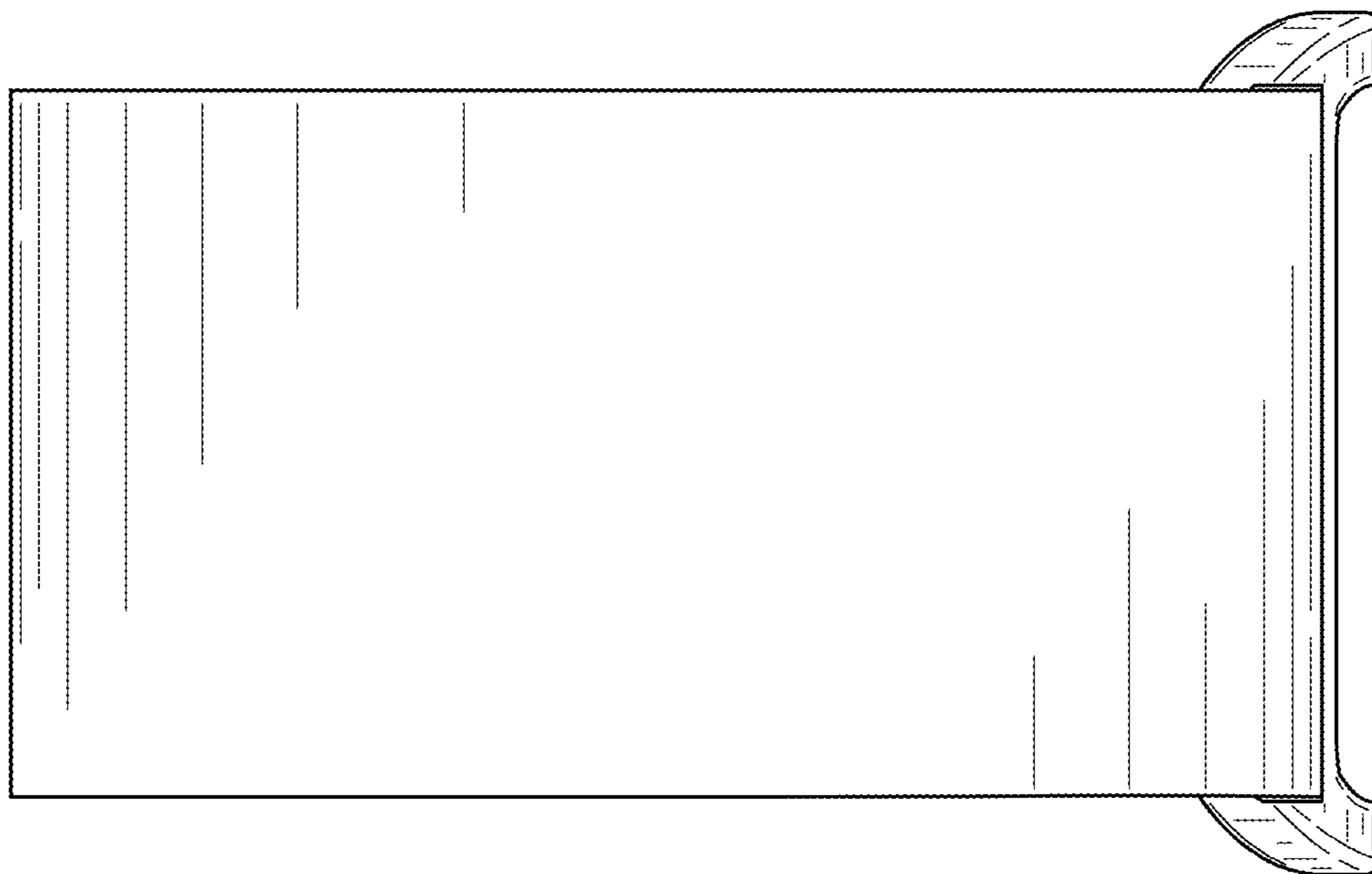


FIG. 5

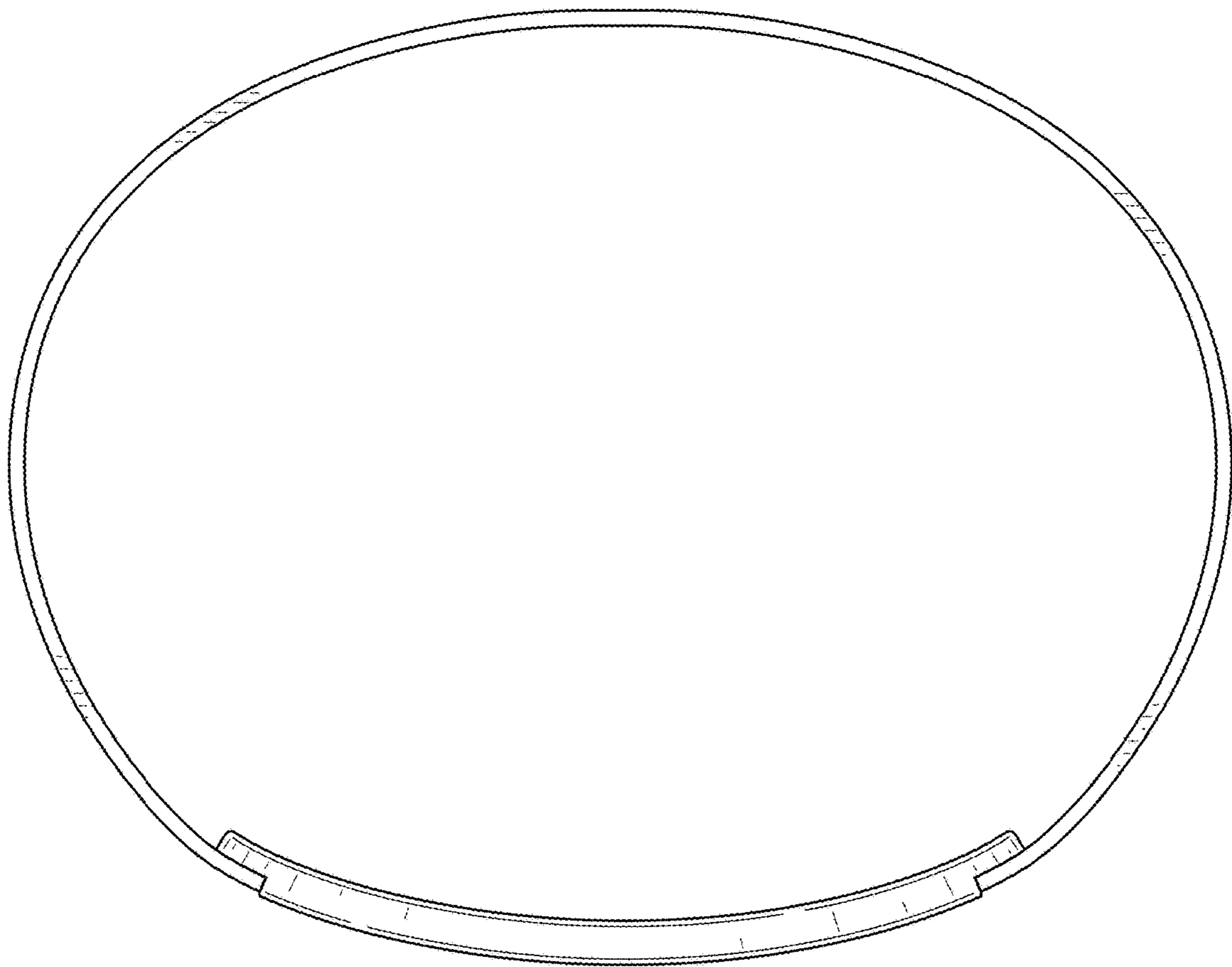


FIG. 6

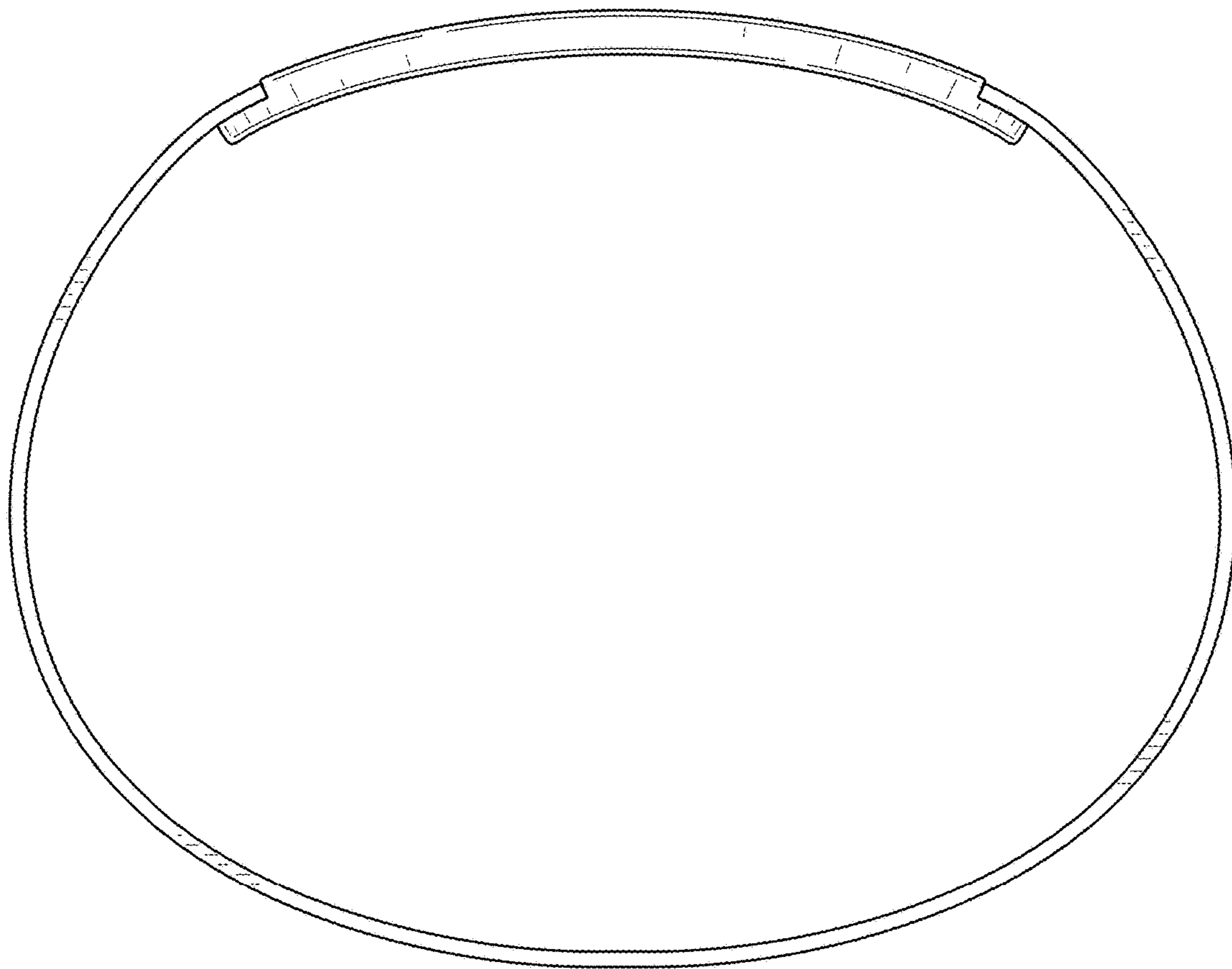


FIG. 7



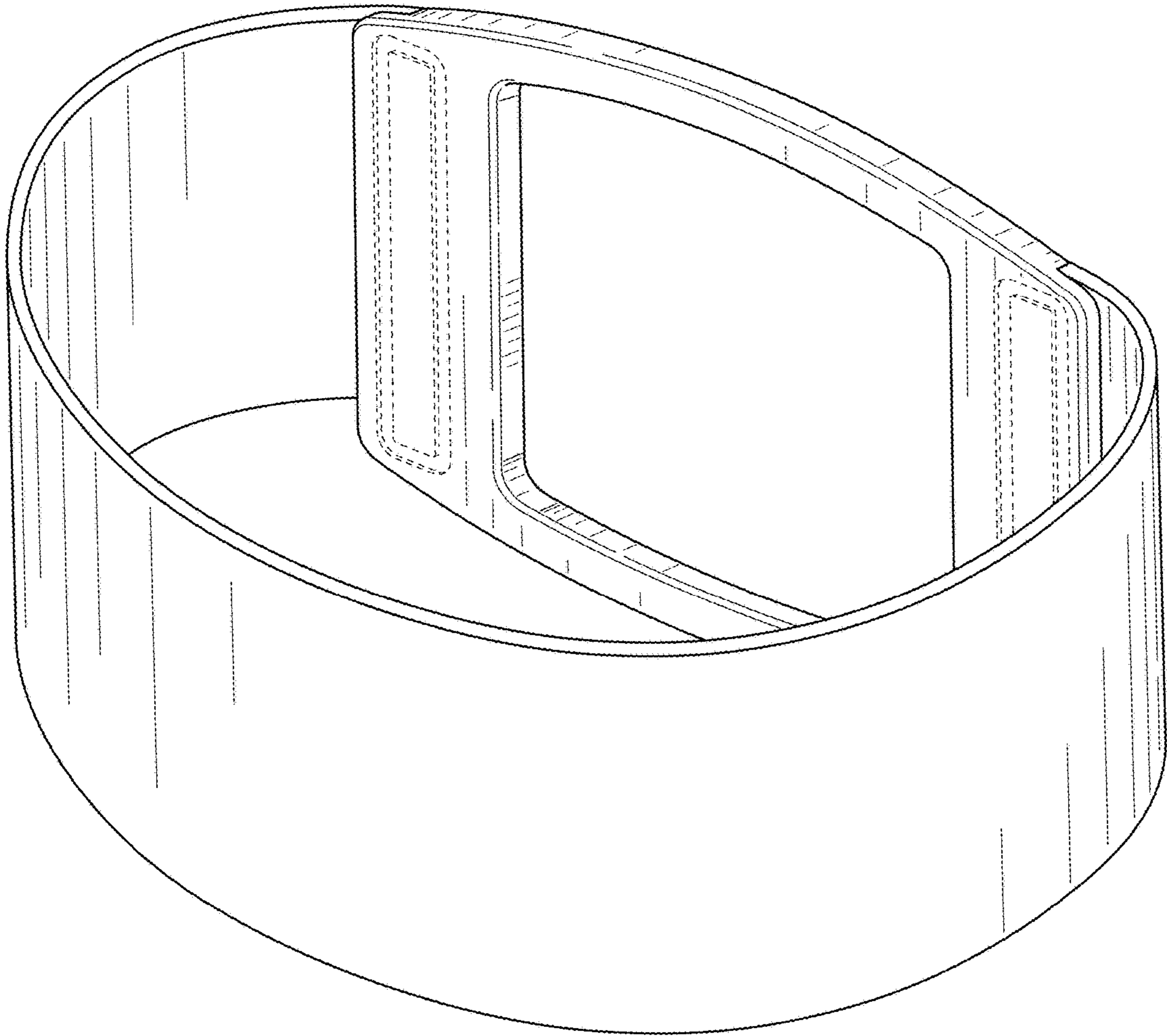


FIG. 8

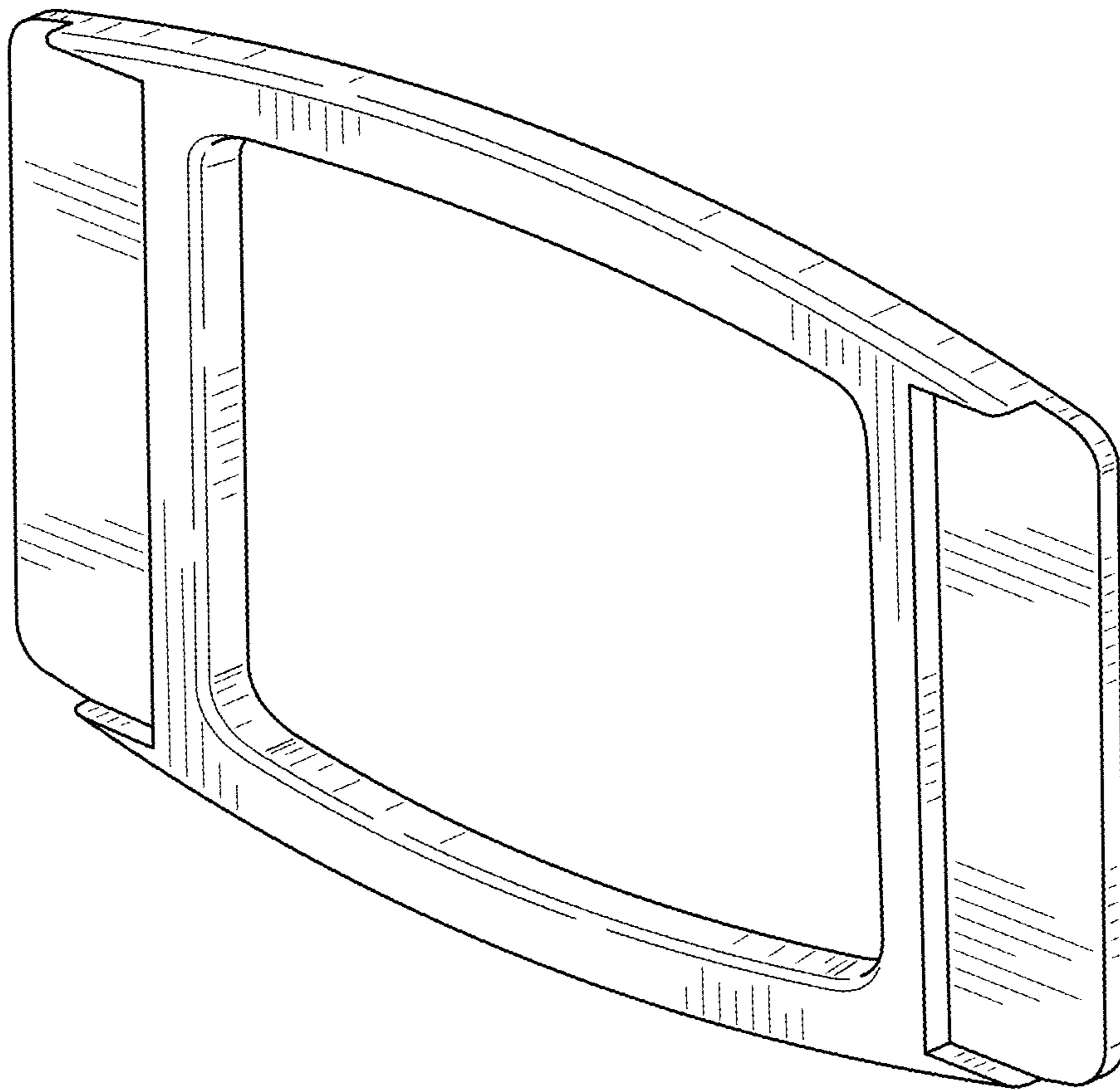


FIG. 9

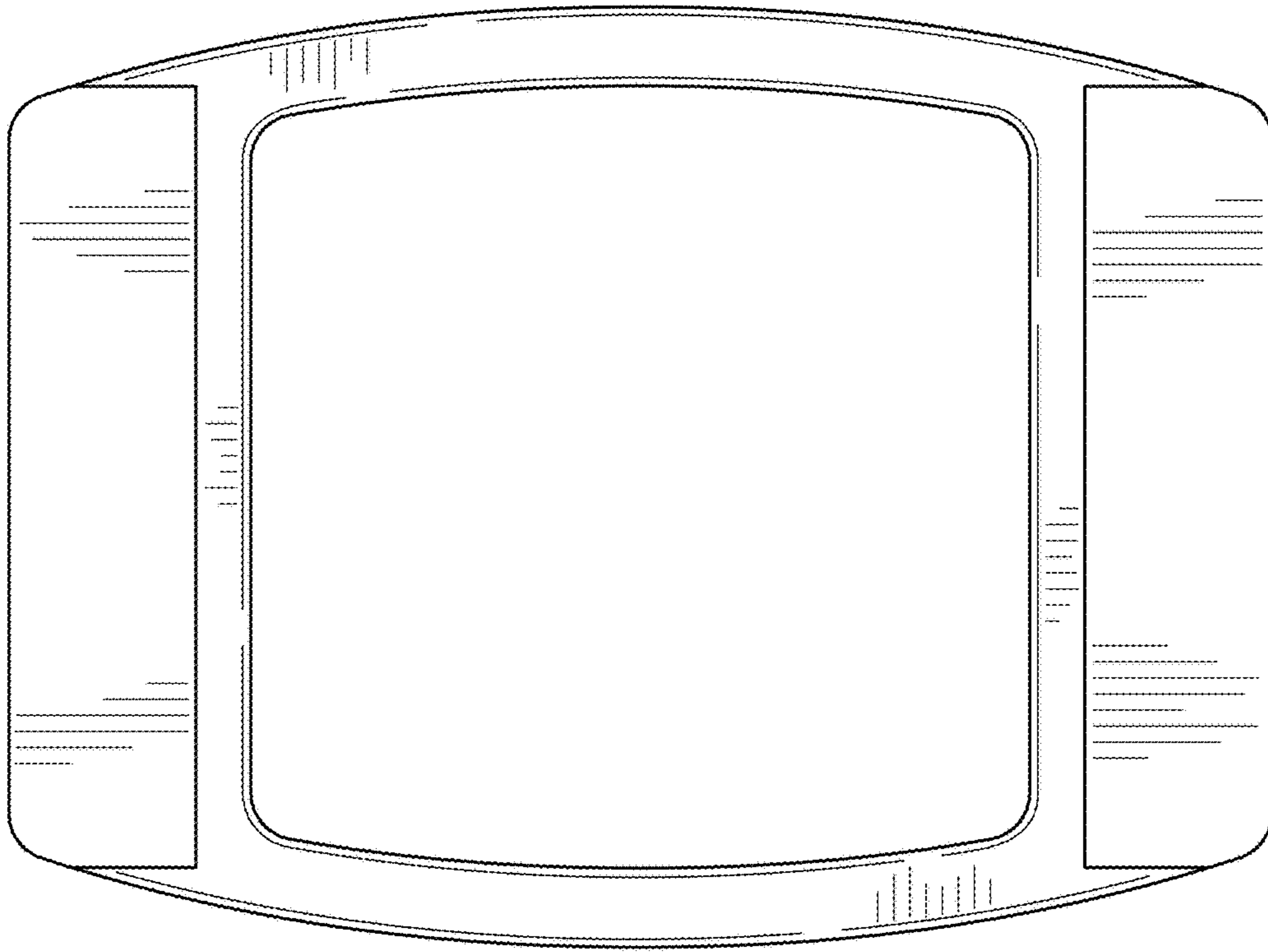


FIG. 10

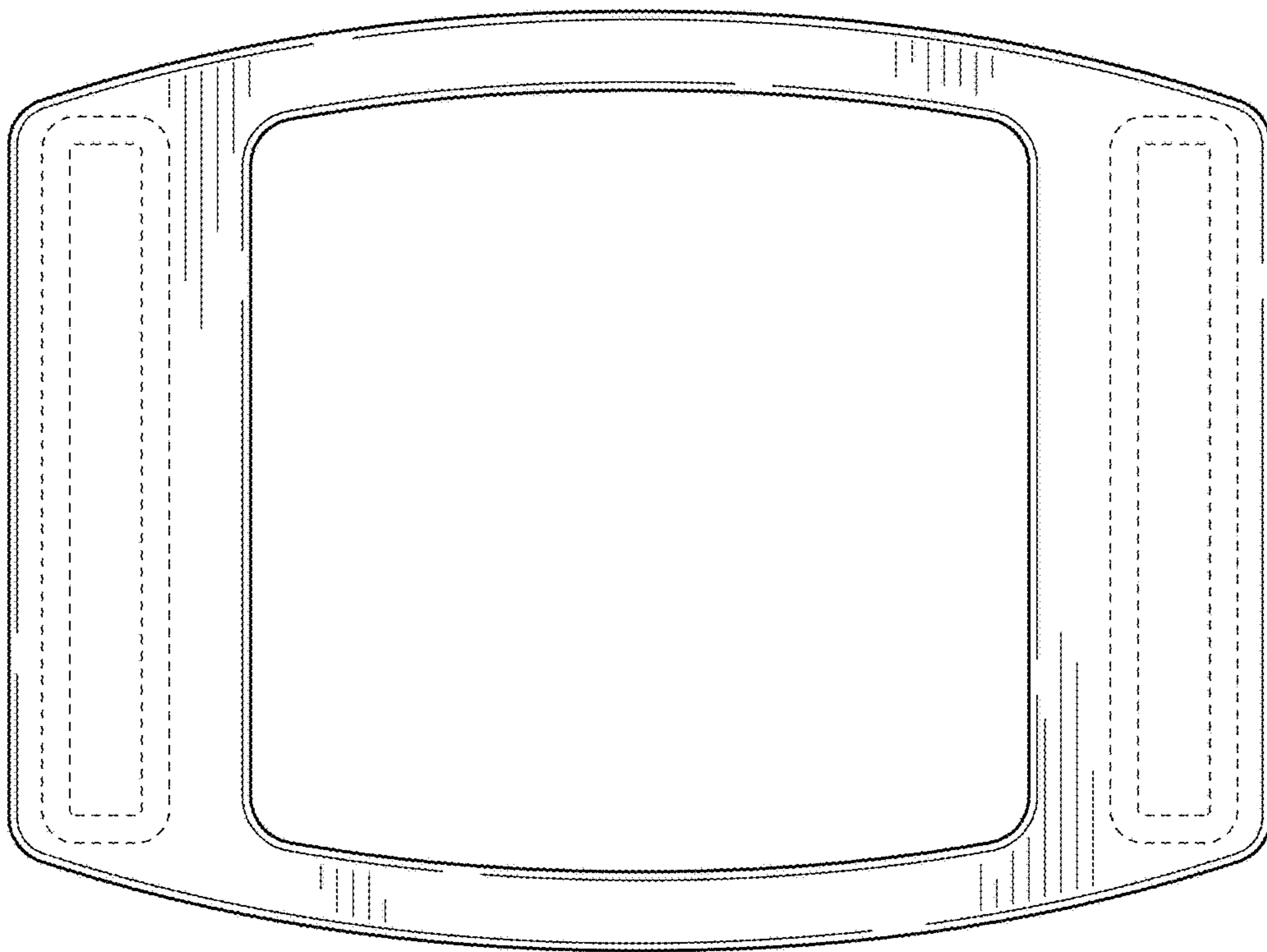


FIG. 11

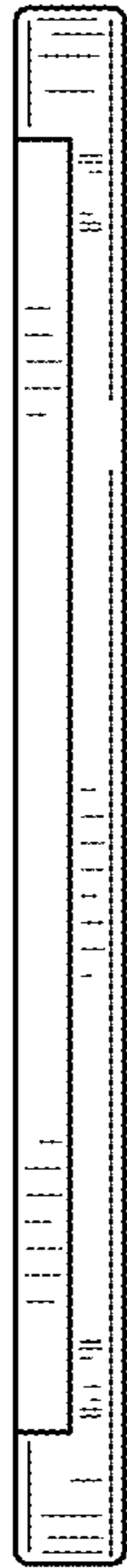


FIG. 12

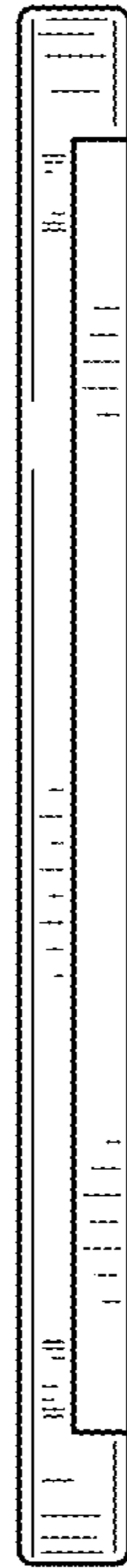


FIG. 13



FIG. 14

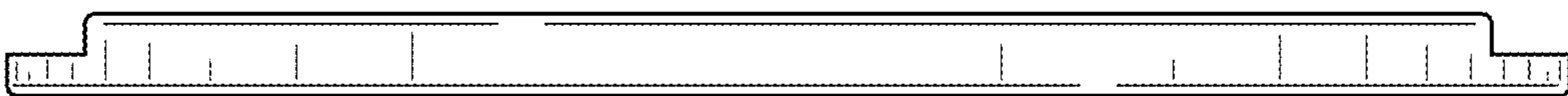


FIG. 15