



US00D864513S

(12) **United States Design Patent** (10) **Patent No.:** **US D864,513 S**
Krohn (45) **Date of Patent:** **** Oct. 22, 2019**

(54) CARRYING HANDLE FOR JACK	6,848,702 B1 * 2/2005 Williams B60D 1/26 280/475
(71) Applicant: HORIZON GLOBAL AMERICAS INC., Plymouth, MI (US)	D532,576 S * 11/2006 Simpson D34/31 2005/0285087 A1 * 12/2005 Stiles B66F 3/24 254/93 H
(72) Inventor: Joshua Krohn, Munroe Falls, OH (US)	2007/0144222 A1 6/2007 Wyers 2010/0095717 A9 4/2010 Wyers 2011/0193035 A1 * 8/2011 Kania B66F 5/04 254/1
(73) Assignee: HORIZON GLOBAL AMERICAS INC., Plymouth, MI (US)	2016/0122164 A1 * 5/2016 Martinez Martinez ... B66F 3/42 254/93 R 2016/0122165 A1 * 5/2016 Martinez Martinez ... B66F 5/04 254/93 H

(**) Term: **15 Years**

(21) Appl. No.: **29/637,438**

(22) Filed: **Feb. 19, 2018**

(51) **LOC (12) Cl.** **12-05**

(52) **U.S. Cl.**
USPC **D34/35**

(58) **Field of Classification Search**
USPC D34/31, 35
CPC B60S 9/12; B60S 9/06; B60S 9/02; B66F 7/00; B66F 7/02; B66F 9/06; B66F 9/00; B66F 5/00; B66F 5/04; B66F 3/25; B66F 3/30; B66F 3/12; B66F 3/18; B66F 3/24; B66F 3/28; B66F 3/247

See application file for complete search history.

(56) **References Cited**

U.S. PATENT DOCUMENTS

4,463,828 A *	8/1984	Anderson	A63B 27/00 182/136
5,086,523 A *	2/1992	De Mott	A47K 13/105 16/421
5,975,241 A *	11/1999	Berish	A63B 27/00 182/136
6,722,686 B2	4/2004	Koy		

* cited by examiner

Primary Examiner — Cynthia Ramirez

(74) *Attorney, Agent, or Firm* — McDonald Hopkins LLC

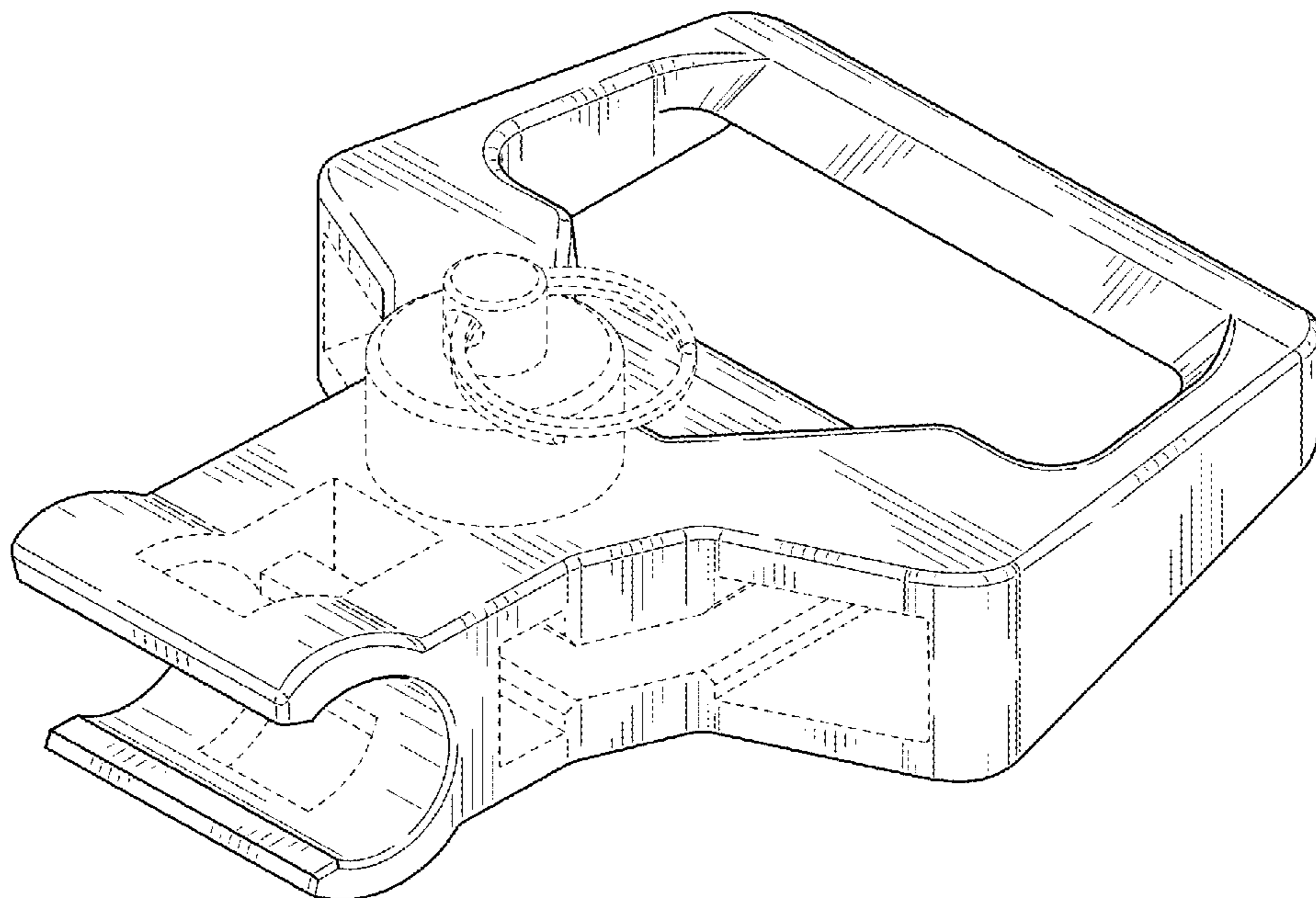
(57) **CLAIM**

The ornamental design for a carrying handle for jack, as shown and described.

DESCRIPTION

FIG. 1 is a perspective view of a carrying handle for jack showing our new design;
FIG. 2 is a top view thereof;
FIG. 3 is a bottom view thereof;
FIG. 4 is a rear view thereof;
FIG. 5 is a front view thereof;
FIG. 6 is a first side view thereof; and,
FIG. 7 is a second side view thereof.
The broken lines in the figures are included for the purpose of illustrating portions of the carrying handle for jack which form no part of the claimed design.

1 Claim, 5 Drawing Sheets



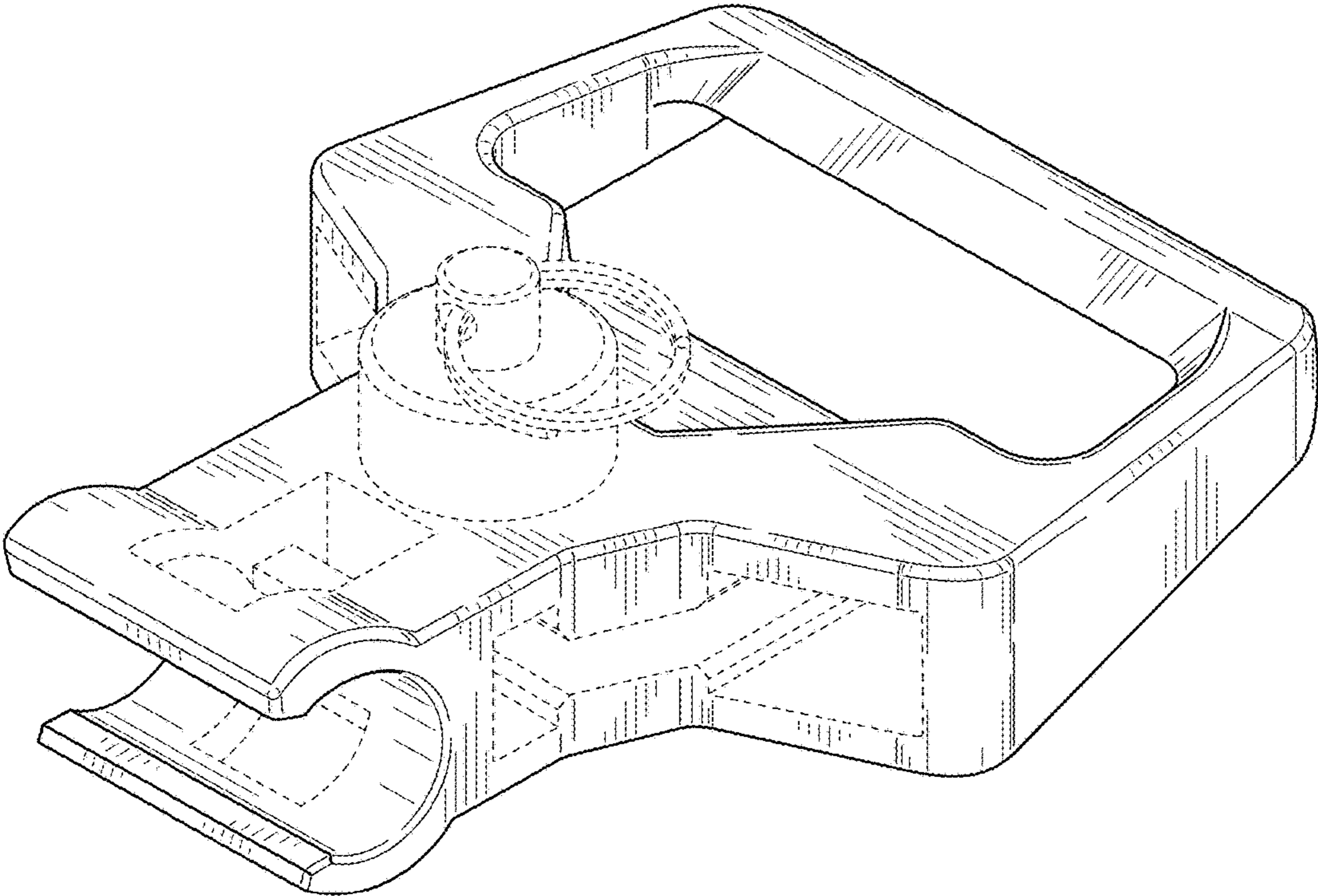


FIG. 1

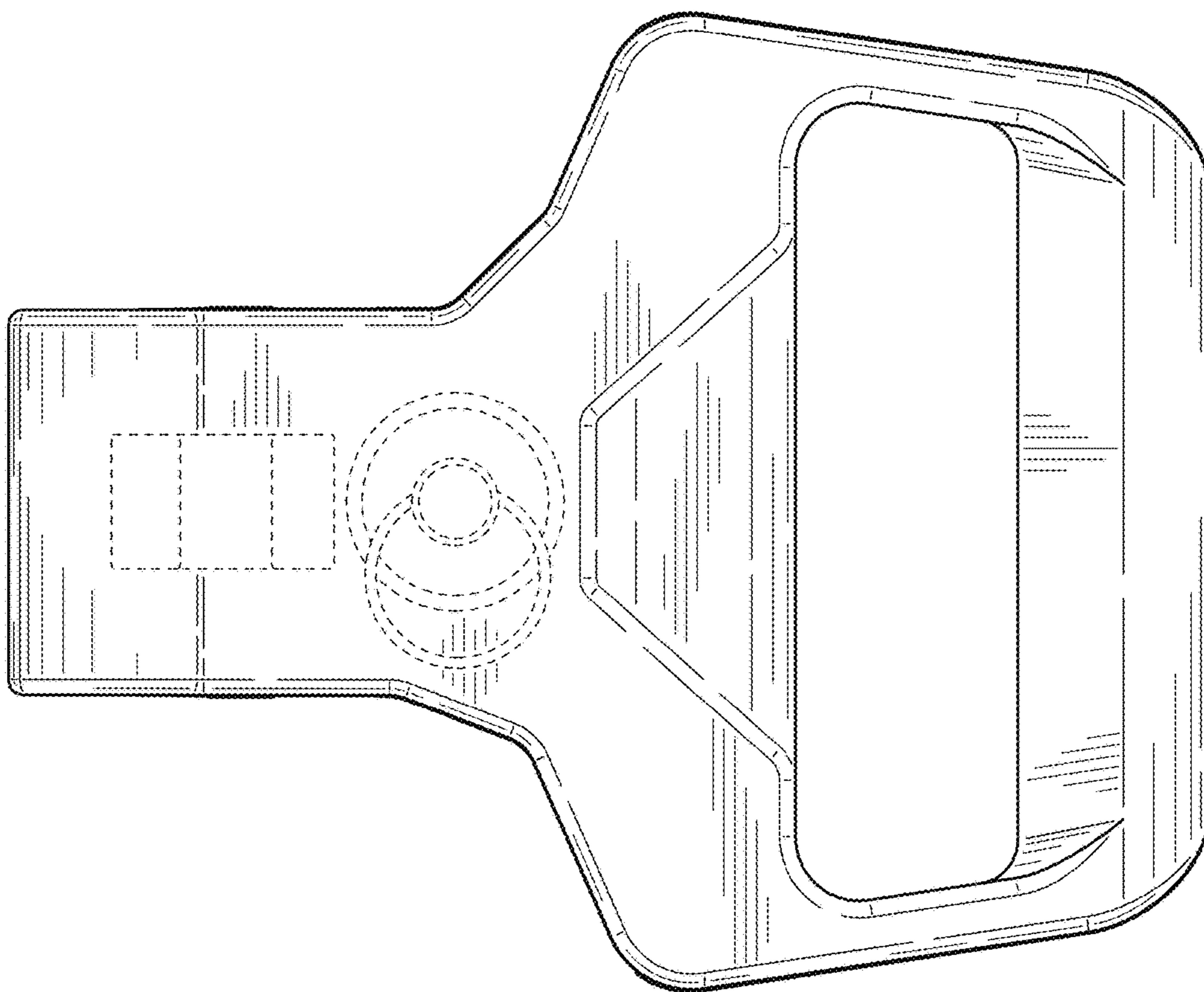


FIG. 2

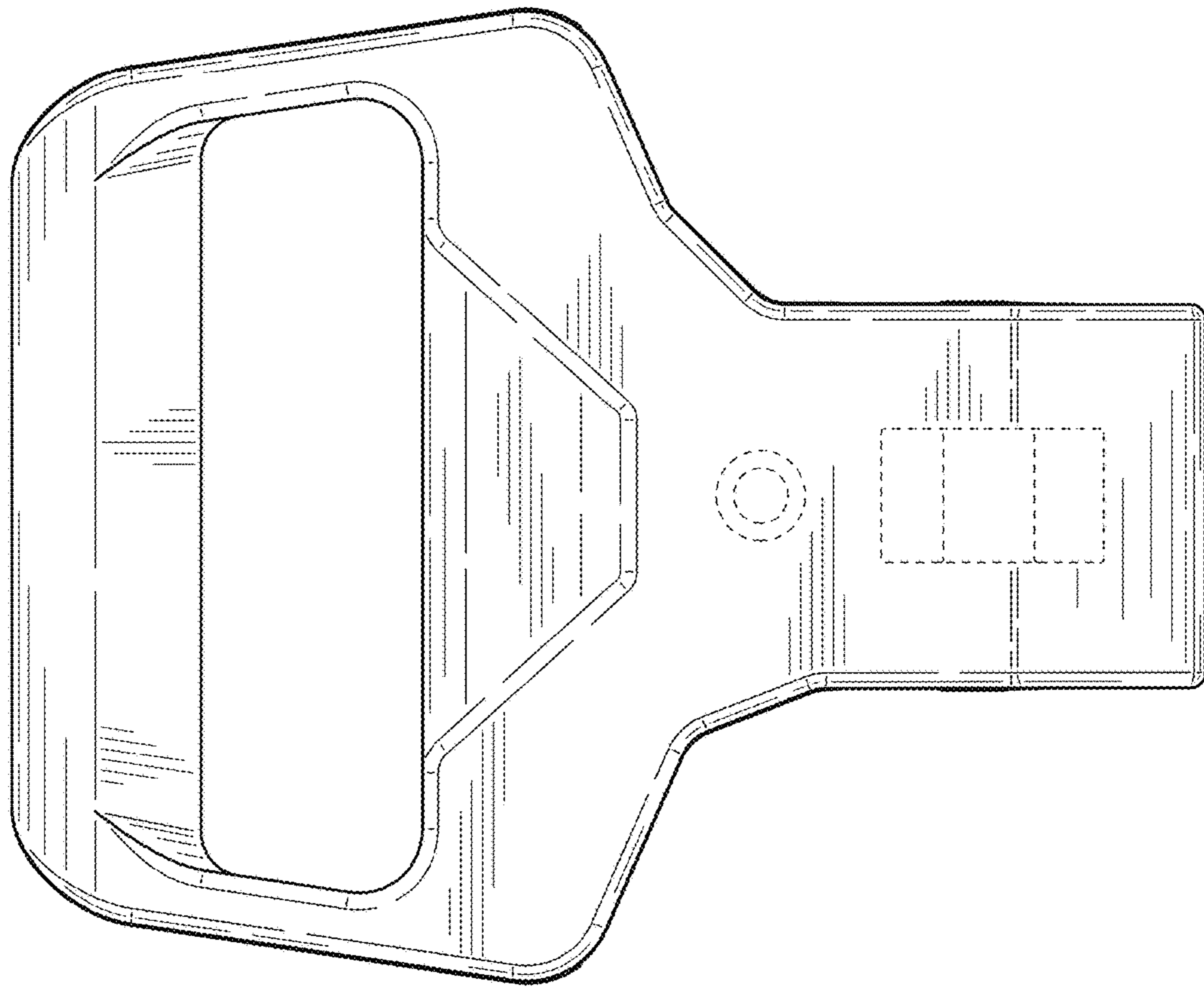


FIG. 3

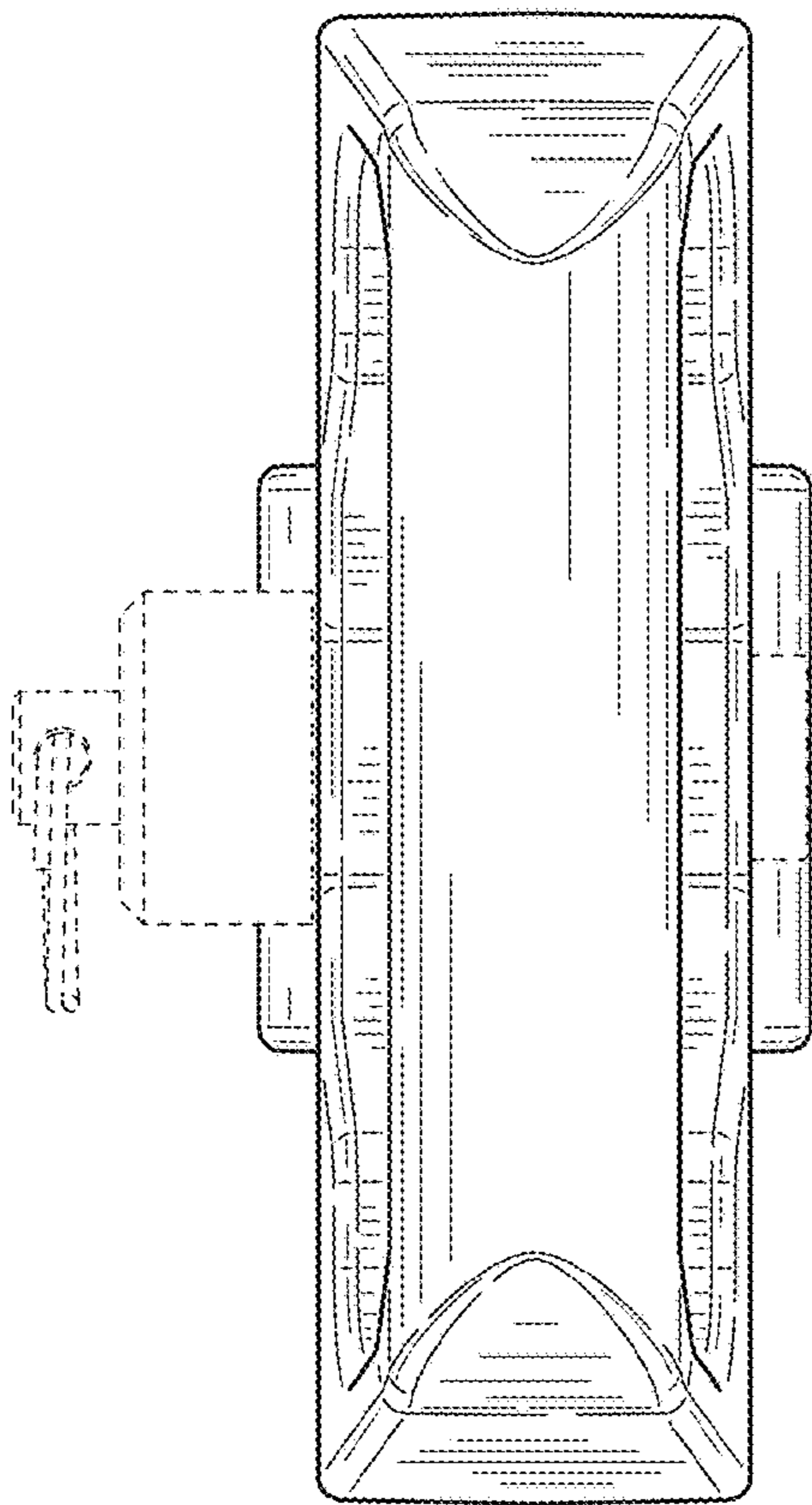


FIG. 4

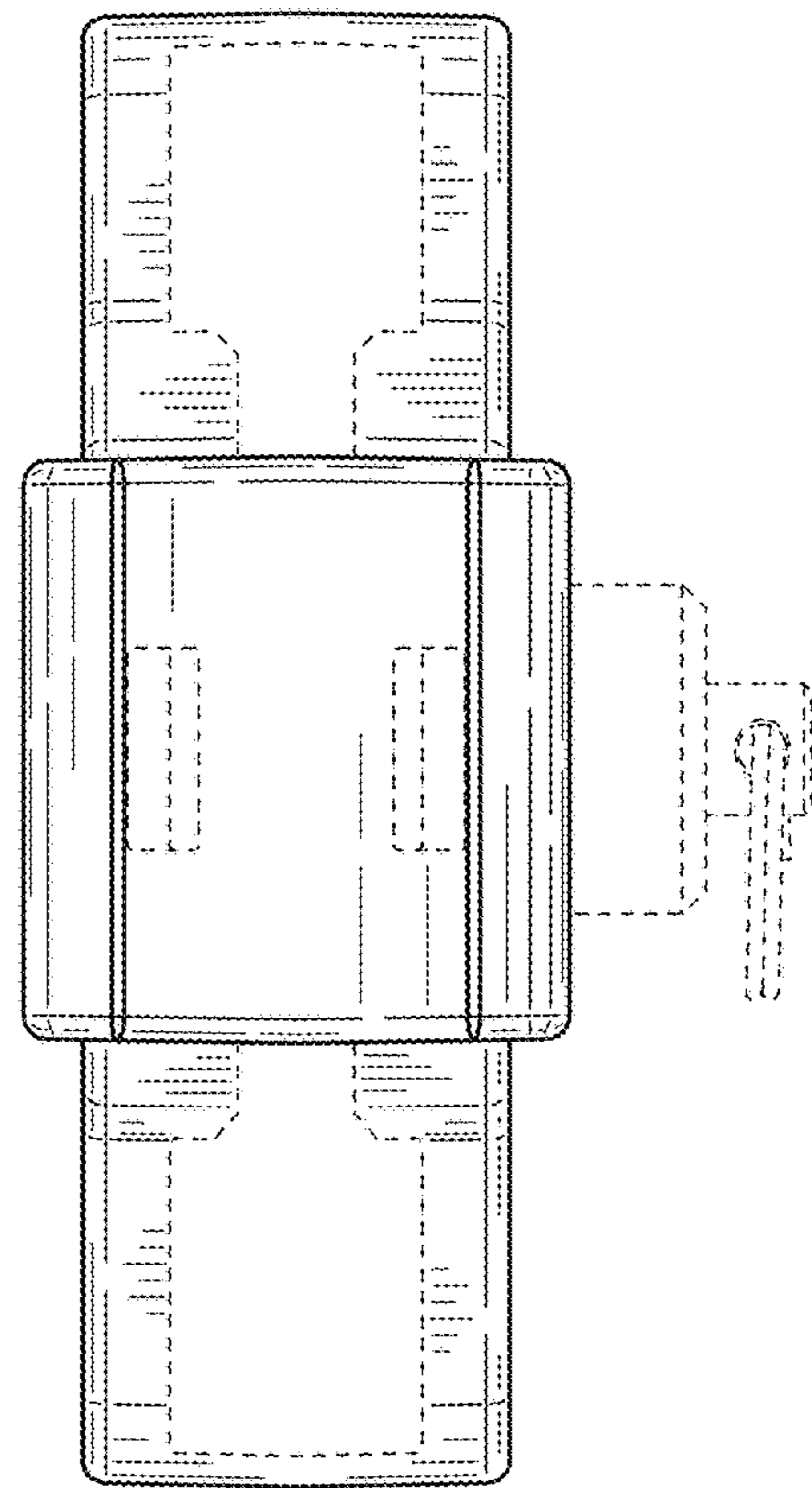


FIG. 5

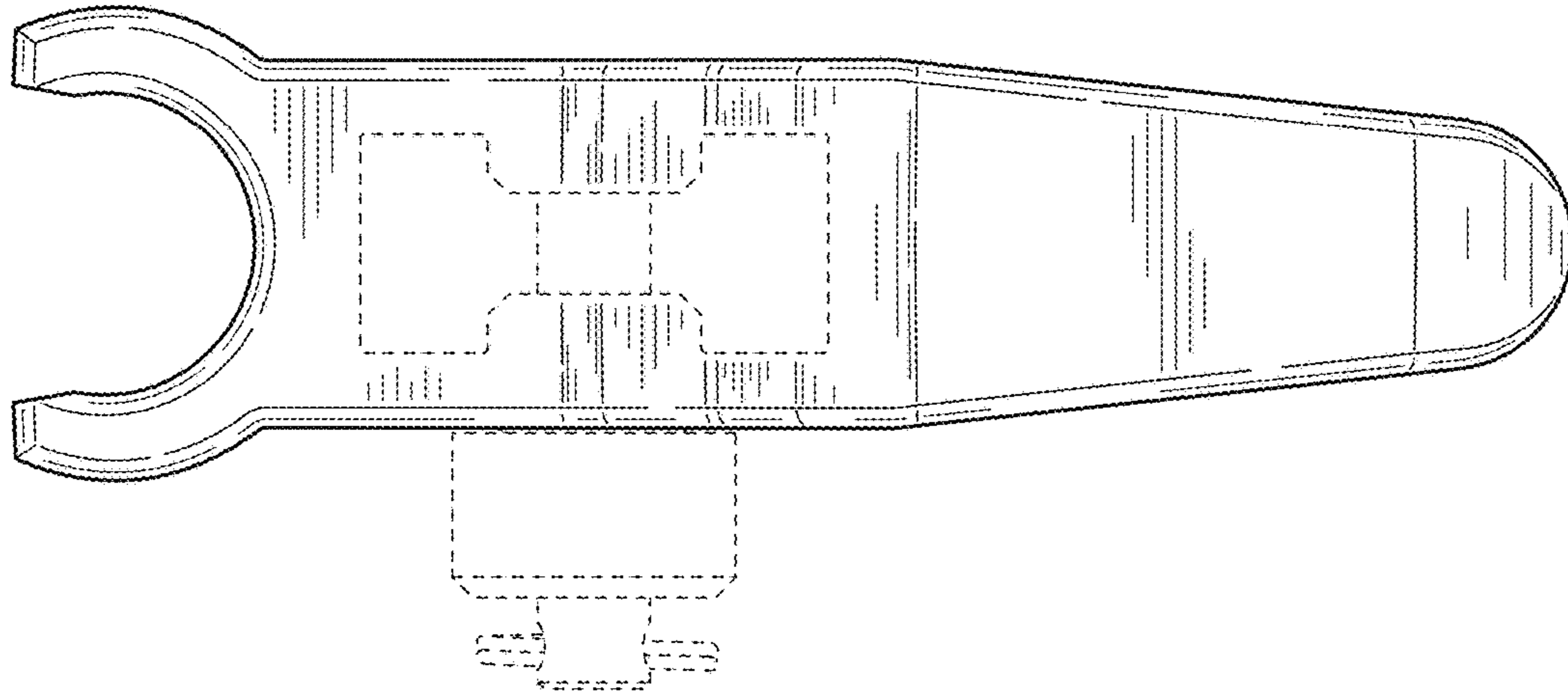


FIG. 6

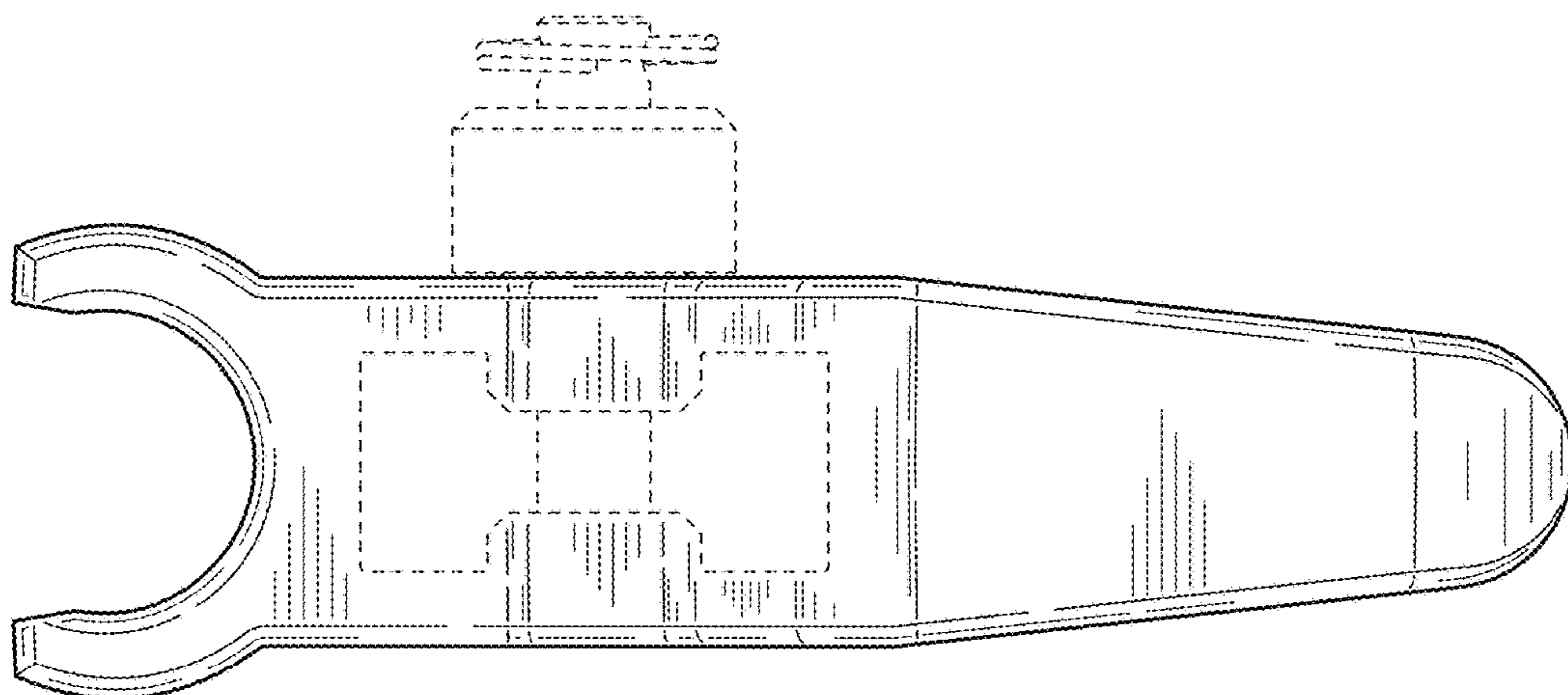


FIG. 7