

US00D864512S

(12) **United States Design Patent**
Wu et al.

(10) **Patent No.:** **US D864,512 S**
(45) **Date of Patent:** **** Oct. 22, 2019**

- (54) **FLOOR MOP**
- (71) Applicant: **BISSELL Homecare, Inc.**, Grand Rapids, MI (US)
- (72) Inventors: **Hui Wu**, Guangdong (CN); **Jing Yang**, Zhongshan (CN)
- (73) Assignee: **BISSELL Homecare, Inc.**, Grand Rapids, MI (US)
- (**) Term: **15 Years**
- (21) Appl. No.: **29/602,772**
- (22) Filed: **May 3, 2017**
- (51) **LOC (12) Cl.** **07-05**
- (52) **U.S. Cl.**
USPC **D32/50**
- (58) **Field of Classification Search**
USPC .. D32/50–53, 40, 45, 17–18, 21–22, 24–25;
D4/130–132, 134–135, 138, 199
CPC A47L 13/52; A47L 13/12; A47L 13/00;
A47L 13/20; A47L 13/24; A47L 13/22;
A46B 7/04; A46B 7/06; A46B 5/00;
B43M 11/02
See application file for complete search history.

- D597,717 S * 8/2009 Rosenzweig A47L 13/225
D32/45
- D607,165 S * 12/2009 Libman D32/45
- D615,260 S * 5/2010 Koenig D32/45
- 7,996,948 B2 * 8/2011 Kaminer A47L 13/20
15/209.1
- D660,533 S * 5/2012 Hill D32/22
- 8,205,293 B2 * 6/2012 Rosenzweig A47L 13/22
15/320
- D673,337 S * 12/2012 Chow D32/45
- D685,557 S * 7/2013 Rosenzweig D32/45
- D685,558 S * 7/2013 deBlois D32/17
- D699,011 S * 2/2014 deBlois D32/45
- D709,262 S * 7/2014 Hughes D32/45
- D711,058 S * 8/2014 Crawley D32/45
- D720,105 S * 12/2014 Gidwell D32/40
- D747,054 S * 1/2016 Seifts D32/45
- D765,330 S * 8/2016 Lentine D32/45
- D765,331 S * 8/2016 Chei D32/45
- D765,332 S * 8/2016 Niedzwecki D32/45
- D766,529 S * 9/2016 Kim D32/50
- 9,743,819 B2 * 8/2017 Davidshofer A47L 13/22
- 9,980,621 B1 * 5/2018 Morad A47L 13/22

* cited by examiner

Primary Examiner — Michelle E. Wilson
(74) *Attorney, Agent, or Firm* — McGarry Bair PC

(57) **CLAIM**

The ornamental design for a floor mop, as shown and described.

DESCRIPTION

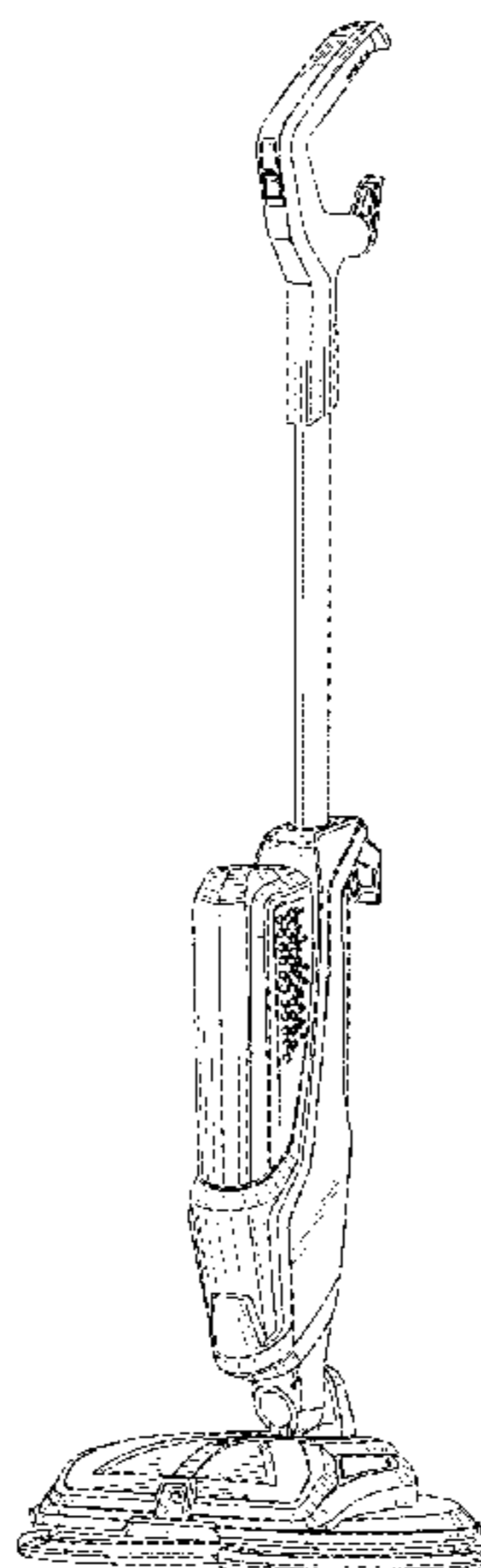
FIG. 1 is a front and right-side perspective view of a floor mop showing our new design;
FIG. 2 is a front view thereof;
FIG. 3 is a rear view thereof;
FIG. 4 is a left side view thereof;
FIG. 5 is a right side view thereof; and,
FIG. 6 is a top view thereof.

1 Claim, 6 Drawing Sheets

(56) **References Cited**

U.S. PATENT DOCUMENTS

- 5,782,991 A * 7/1998 van der Heyden A47L 13/22
134/26
- 6,540,424 B1 * 4/2003 Hall A47L 13/22
401/138
- D505,762 S * 5/2005 Lalanne D32/45
- 6,960,042 B1 * 11/2005 Hsiao A47L 1/08
401/138
- D514,267 S * 1/2006 Tsai D32/45
- D591,921 S * 5/2009 Rosenzweig A47L 13/225
D32/45



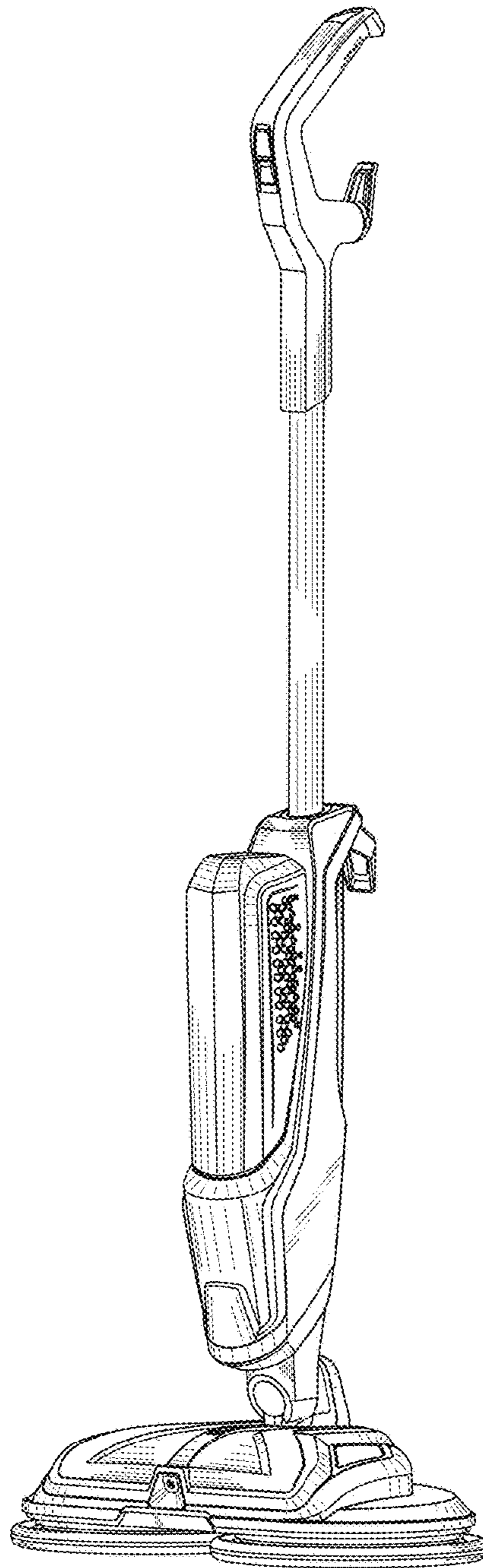


FIG. 1

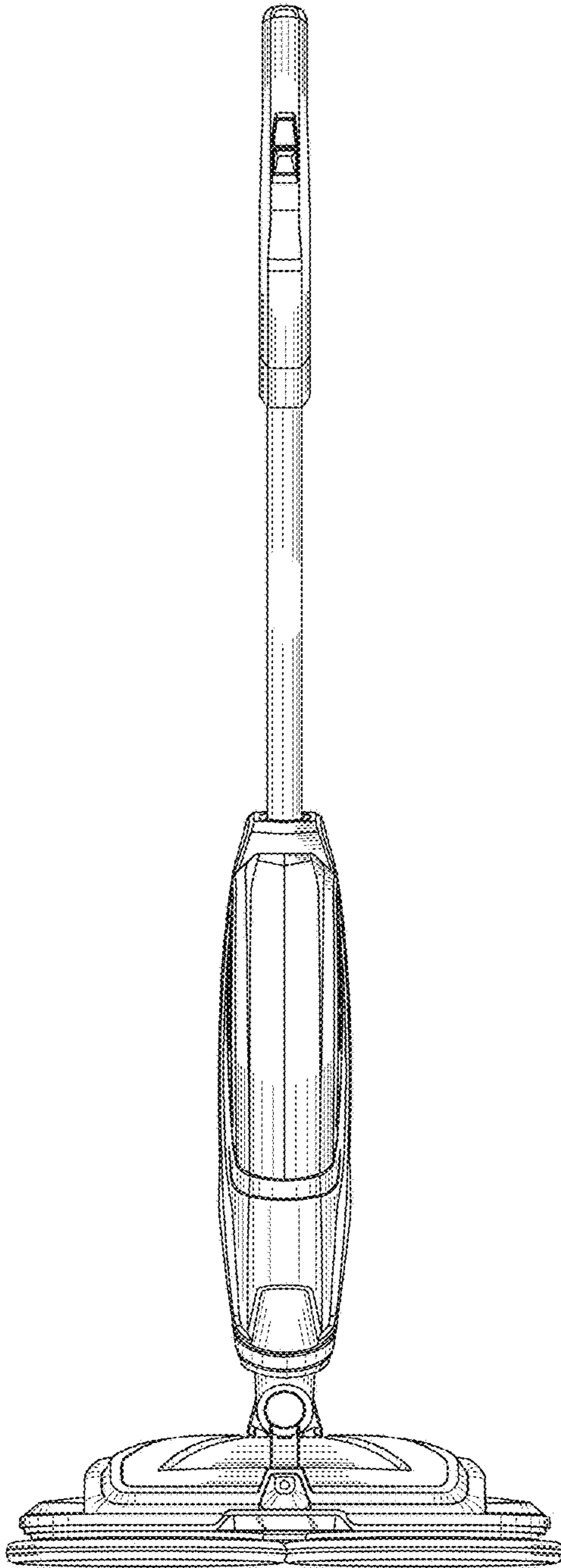


FIG. 2

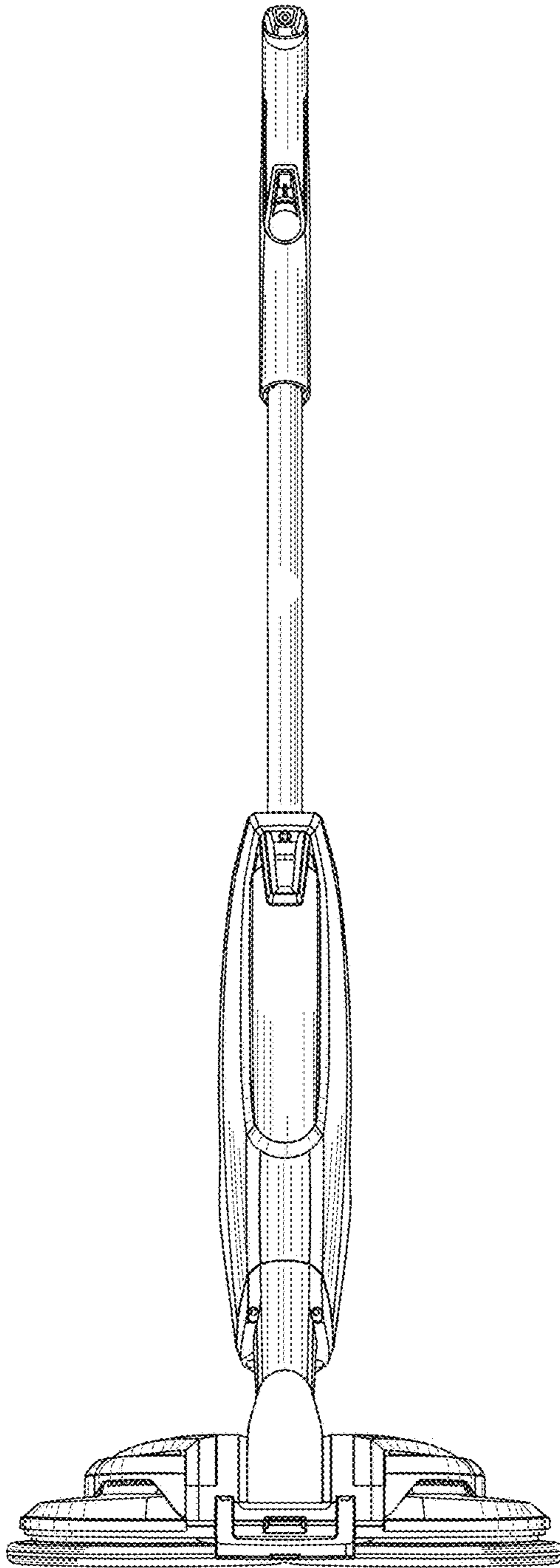


FIG. 3

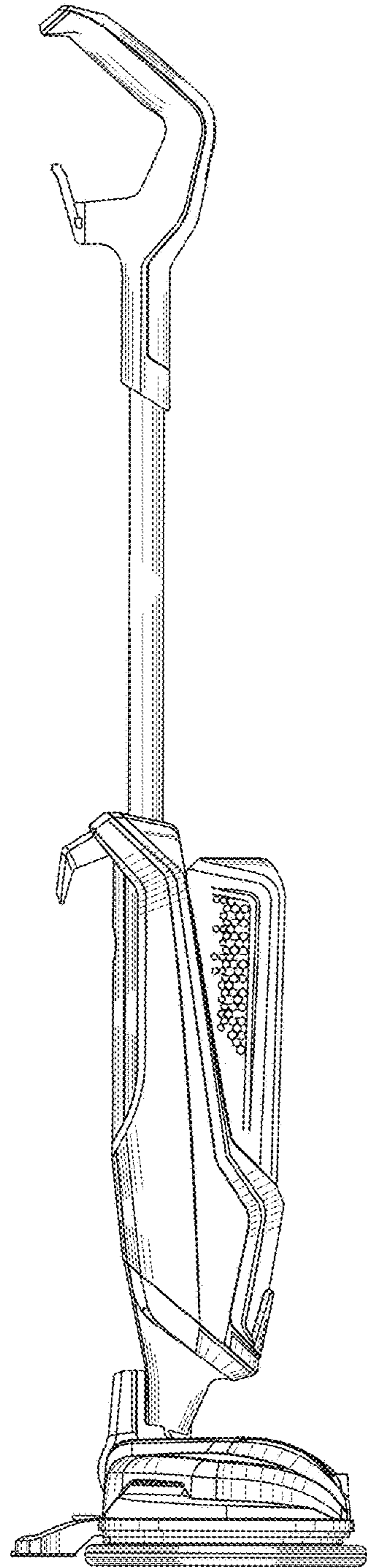


FIG. 4

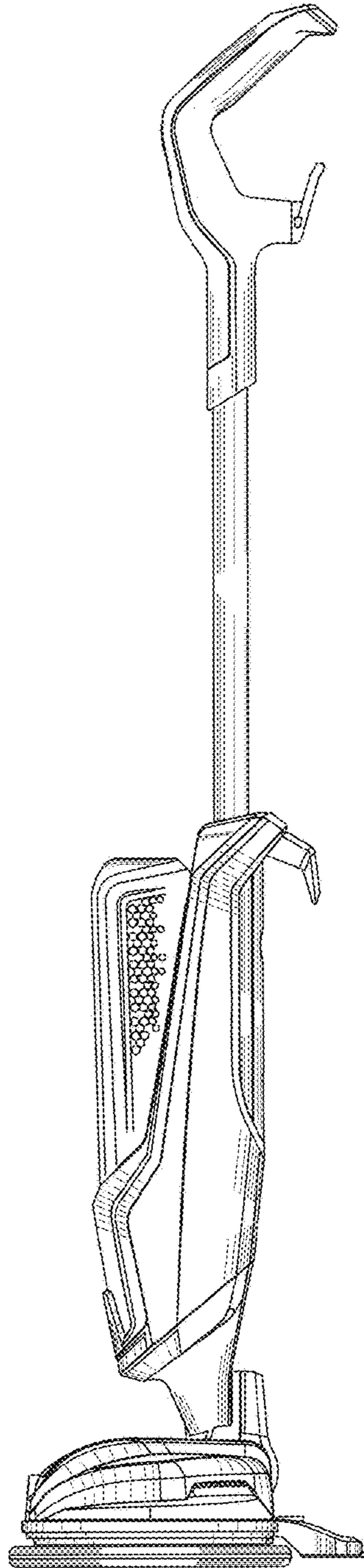


FIG. 5

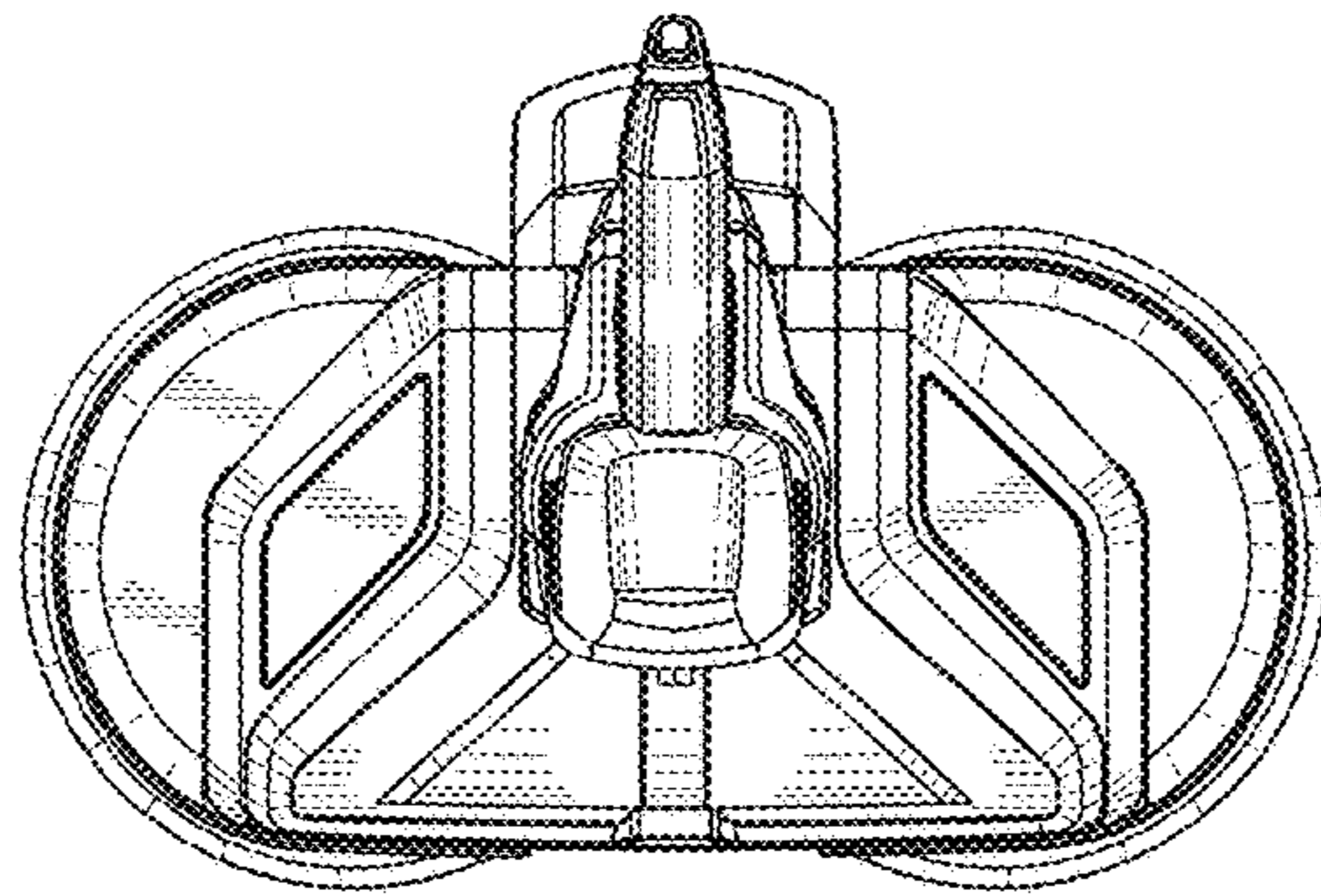


FIG. 6