



US00D864510S

(12) **United States Design Patent** (10) **Patent No.:** **US D864,510 S**  
**Meier et al.** (45) **Date of Patent:** **\*\* Oct. 22, 2019**

(54) **CLEANING TOOL**

D386,852 S \* 11/1997 Viner ..... D32/42  
D386,854 S \* 11/1997 Koptis ..... D32/45  
D387,704 S \* 12/1997 Berti ..... D32/45  
5,915,869 A 6/1999 Agosto

(Continued)

(71) Applicant: **3M INNOVATIVE PROPERTIES COMPANY**, St. Paul, MN (US)

(72) Inventors: **Thomas C. Meier**, Woodbury, MN (US); **Mark W. Baldwin**, Woodbury, MN (US); **Mario A. Davenport**, St. Paul, MN (US); **Zachary A. Schaefer**, Minneapolis, MN (US); **Daniel J. Rebecca**, Arlington Heights, IL (US); **Dennis G. Johnson**, Topsfield, MA (US); **Lac V. Nguyen**, Woburn, MA (US); **George H. Kormanos**, Nashua, NH (US)

FOREIGN PATENT DOCUMENTS

CN 105342524 2/2016  
CN 304649522 \* 5/2018

(Continued)

(73) Assignee: **3M INNOVATIVE PROPERTIES COMPANY**, St. Paul, MN (US)

OTHER PUBLICATIONS

Hozelock Bioforce 500 Filter Sponge/Foam—Hexagonal Type I eBay update 2019, [https://www.ebay.co.uk/itm/Replacement-Hozelock-Bioforce-500-Filter-Sponge-Foam-He . . .](https://www.ebay.co.uk/itm/Replacement-Hozelock-Bioforce-500-Filter-Sponge-Foam-He...) site visited Apr. 25, 2019.\*

(Continued)

(\*\*) Term: **15 Years**

*Primary Examiner* — John Windmuller

*Assistant Examiner* — John R Yeh

(21) Appl. No.: **29/657,506**

(22) Filed: **Jul. 23, 2018**

(57) **CLAIM**

(51) **LOC (12) Cl.** ..... **07-05**

The ornamental design for a cleaning tool, as shown and described.

(52) **U.S. Cl.**  
USPC ..... **D32/40**

**DESCRIPTION**

(58) **Field of Classification Search**  
USPC ..... D32/38, 40–46, 50–53; D4/114, 115, D4/138  
CPC . A47L 7/00; A47L 13/22; A47L 17/04; A47L 13/12  
See application file for complete search history.

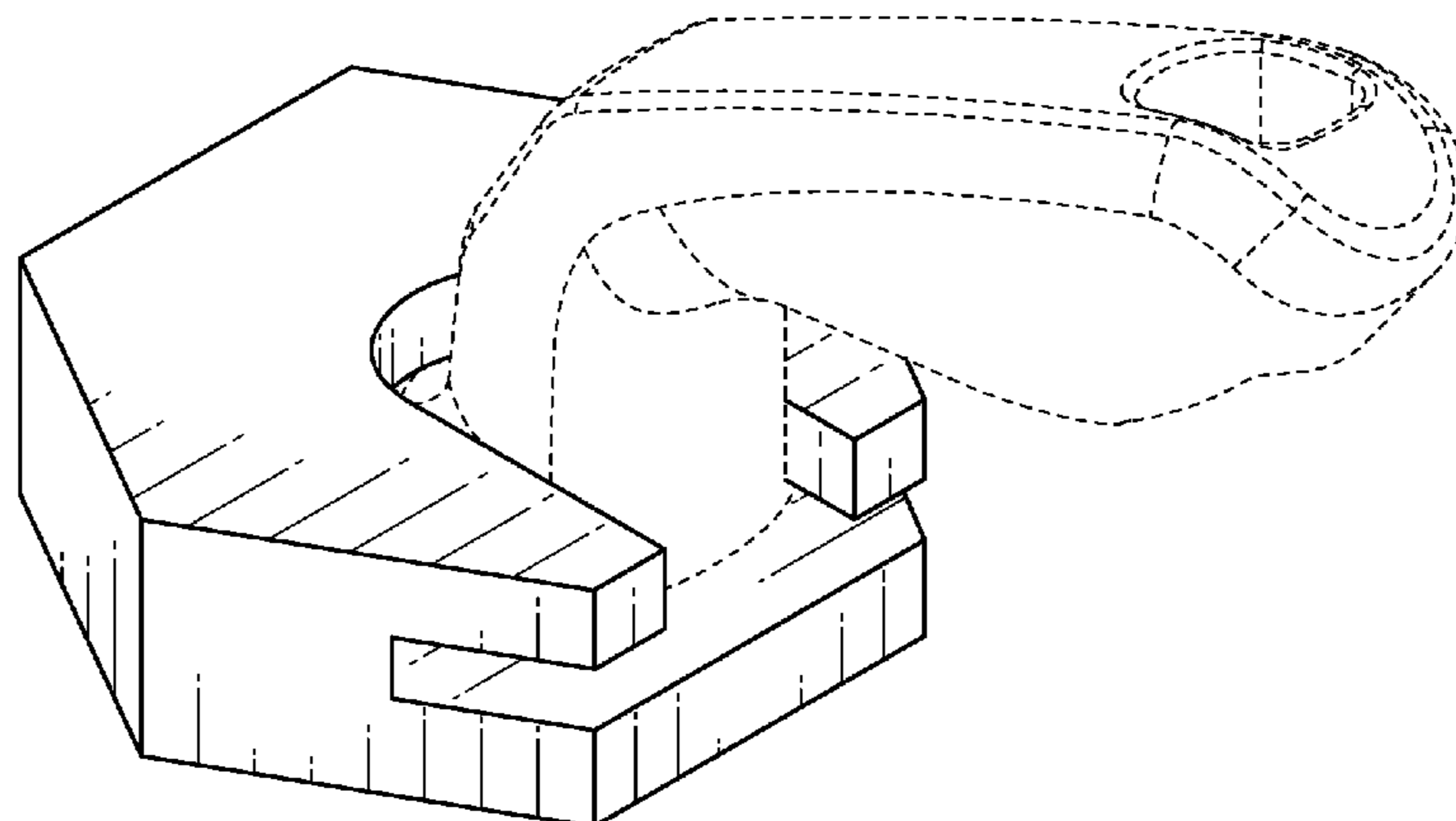
FIG. 1 is a perspective view showing the new design for a cleaning tool;  
FIG. 2 is a right side view thereof;  
FIG. 3 is a left side view thereof;  
FIG. 4 is a front view thereof;  
FIG. 5 is a rear view thereof;  
FIG. 6 is a top view thereof;  
FIG. 7 is a bottom view thereof; and,  
FIG. 8 is a second perspective view thereof.  
The portions of the cleaning tool in FIGS. 1-8 shown in broken lines are included to show features that form no part of the claimed design.

(56) **References Cited**

U.S. PATENT DOCUMENTS

2,268,403 A \* 12/1941 Kingman ..... B24D 3/32 15/244.3  
4,148,318 A \* 4/1979 Meyer ..... A61M 35/006 401/132  
D316,318 S \* 4/1991 Cheang ..... 401/139  
D320,490 S \* 10/1991 Andrew, III ..... 401/139

**1 Claim, 5 Drawing Sheets**



(56)

References Cited

U.S. PATENT DOCUMENTS

D426,690 S \* 6/2000 Sakai ..... D32/43  
6,146,040 A \* 11/2000 Dunn ..... A46B 11/002  
401/123  
6,192,545 B1 2/2001 Gessert  
D446,898 S \* 8/2001 Brewer ..... D32/45  
D505,528 S \* 5/2005 Burt ..... D28/63  
D509,935 S \* 9/2005 Burt ..... D28/63  
D515,758 S \* 2/2006 Turchi ..... D32/42  
D524,547 S \* 7/2006 Hay ..... D4/127  
D556,406 S \* 11/2007 Murphy, Jr. .... D32/40  
D558,417 S \* 12/2007 Libman ..... D32/45  
D575,517 S \* 8/2008 Libman ..... D4/127  
D632,857 S \* 2/2011 Sgroi ..... D32/41  
D657,926 S \* 4/2012 McKibbin ..... D32/40  
D659,320 S \* 5/2012 Davis ..... D32/40  
D690,481 S \* 9/2013 Roehm ..... D32/40  
9,138,121 B2 9/2015 Baarsch  
D770,712 S \* 11/2016 Neumann ..... D32/45

9,750,385 B2 9/2017 Curtis  
9,826,878 B2 11/2017 Ouellette  
D824,625 S \* 7/2018 Gooden ..... D32/46  
D828,969 S \* 9/2018 Brady ..... D32/40  
2010/0229318 A1 9/2010 Sparks  
2014/0325781 A1 11/2014 Sauzek  
2016/0235272 A1 8/2016 Azelton

FOREIGN PATENT DOCUMENTS

WO WO D019077-001 \* 5/1991  
WO WO 2015-077422 5/2015

OTHER PUBLICATIONS

3M Scotch-Brite Heavy-Duty Dishwand | Canadian Tire website reviews 2015, <https://www.canadiantire.ca/en/pdp/3m-scotch-brite-heavy-duty-dishwand-0429381p.html>, site visited Apr. 25, 2019.\*

\* cited by examiner

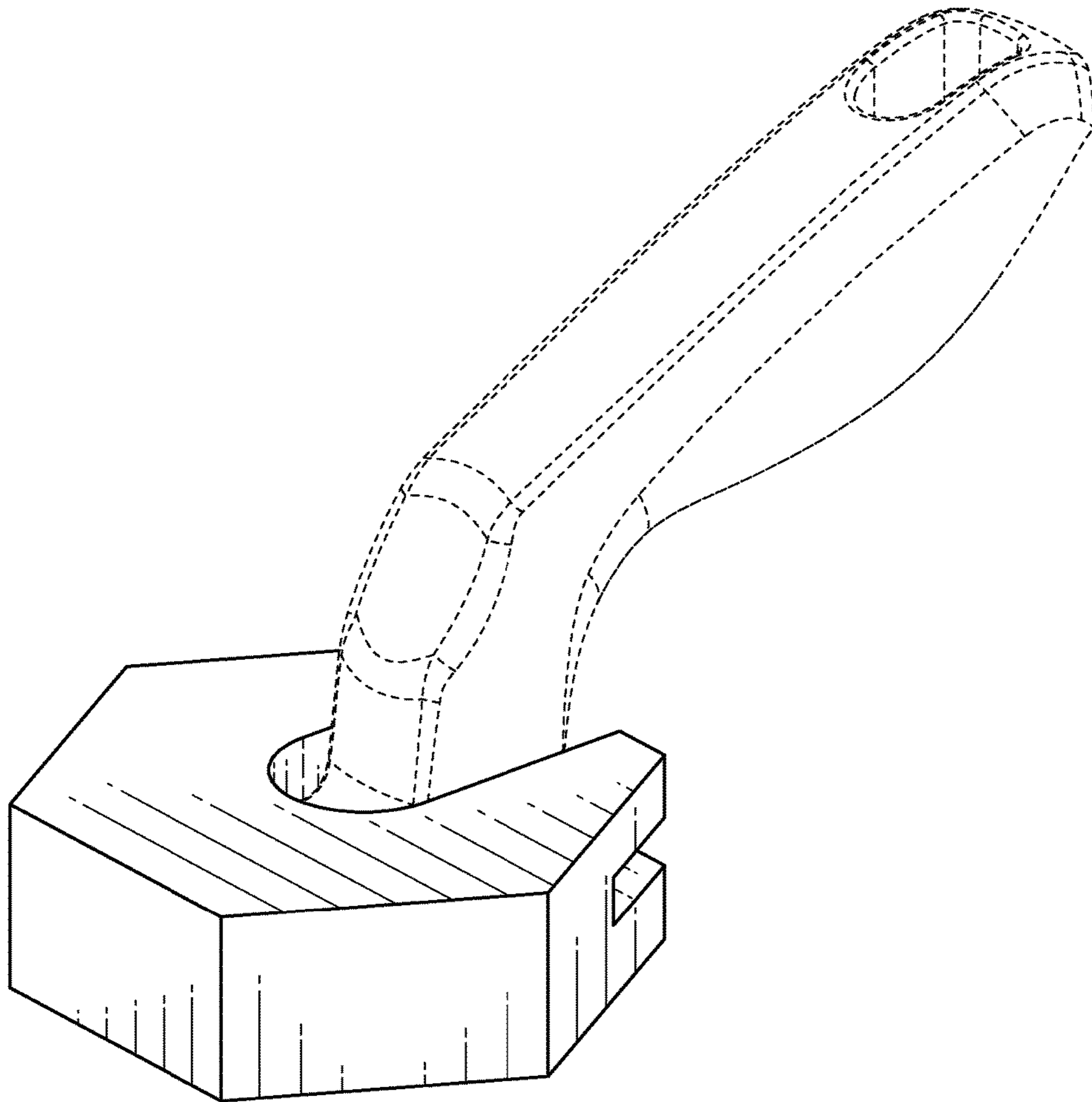


FIG. 1

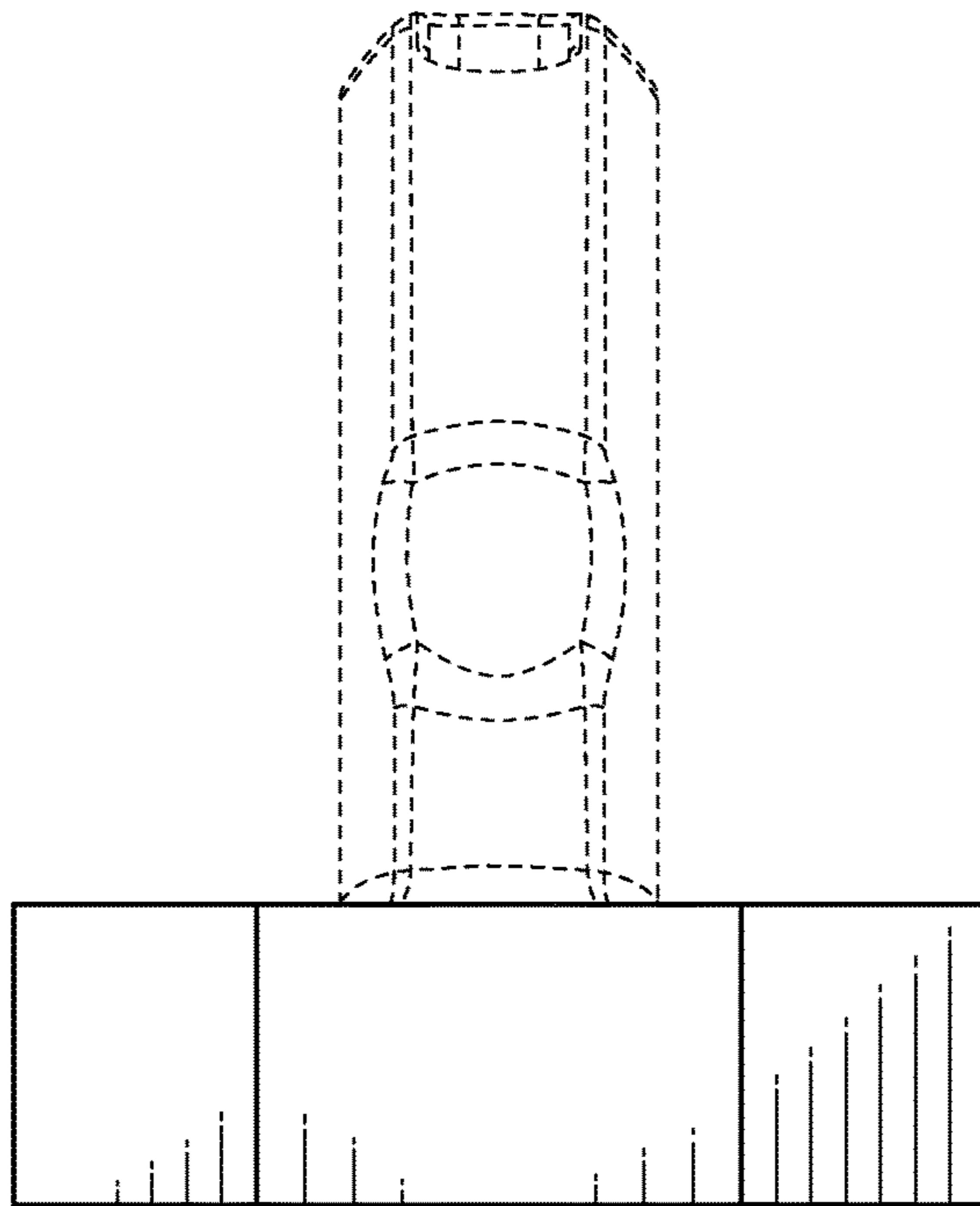


FIG. 2

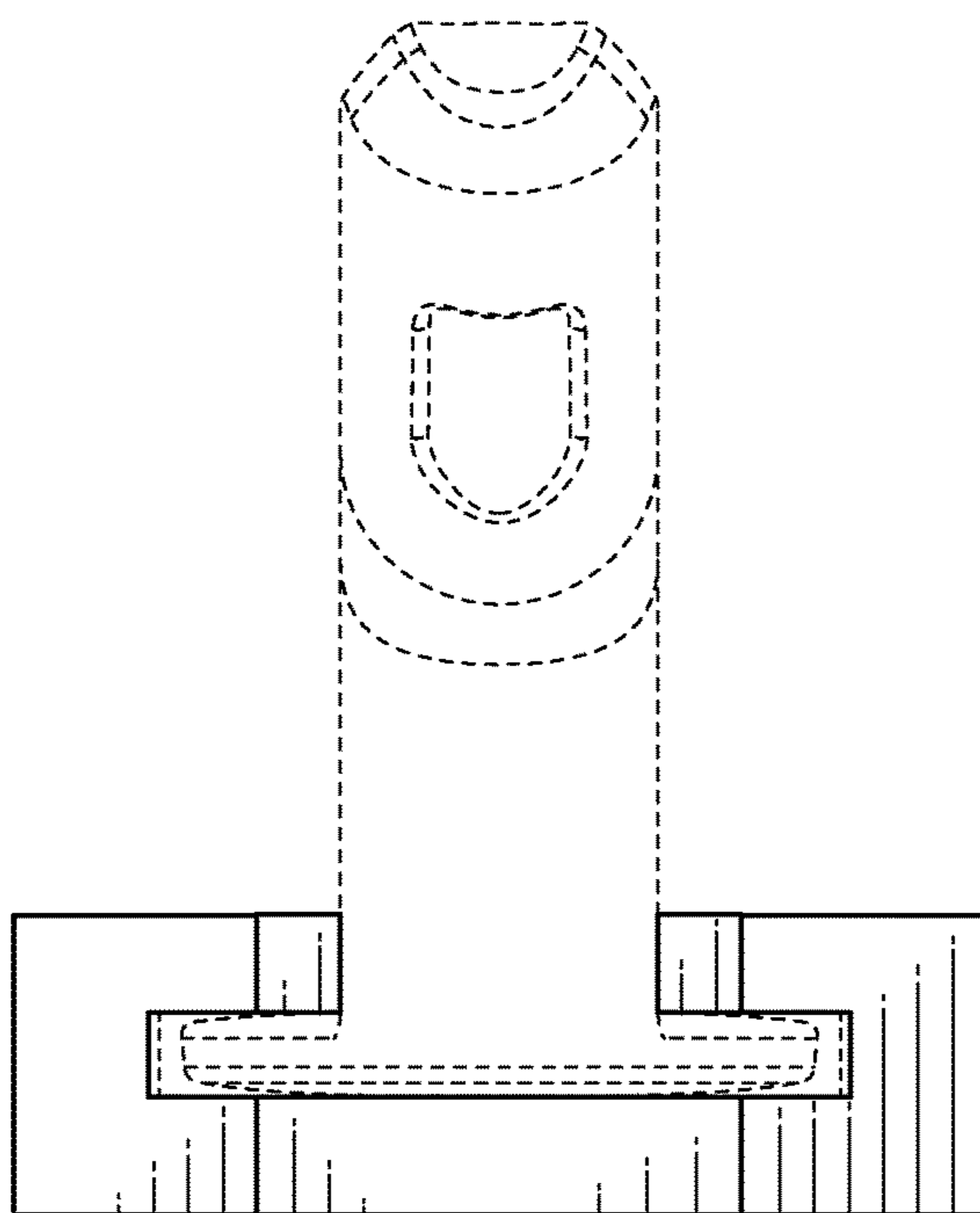


FIG. 3

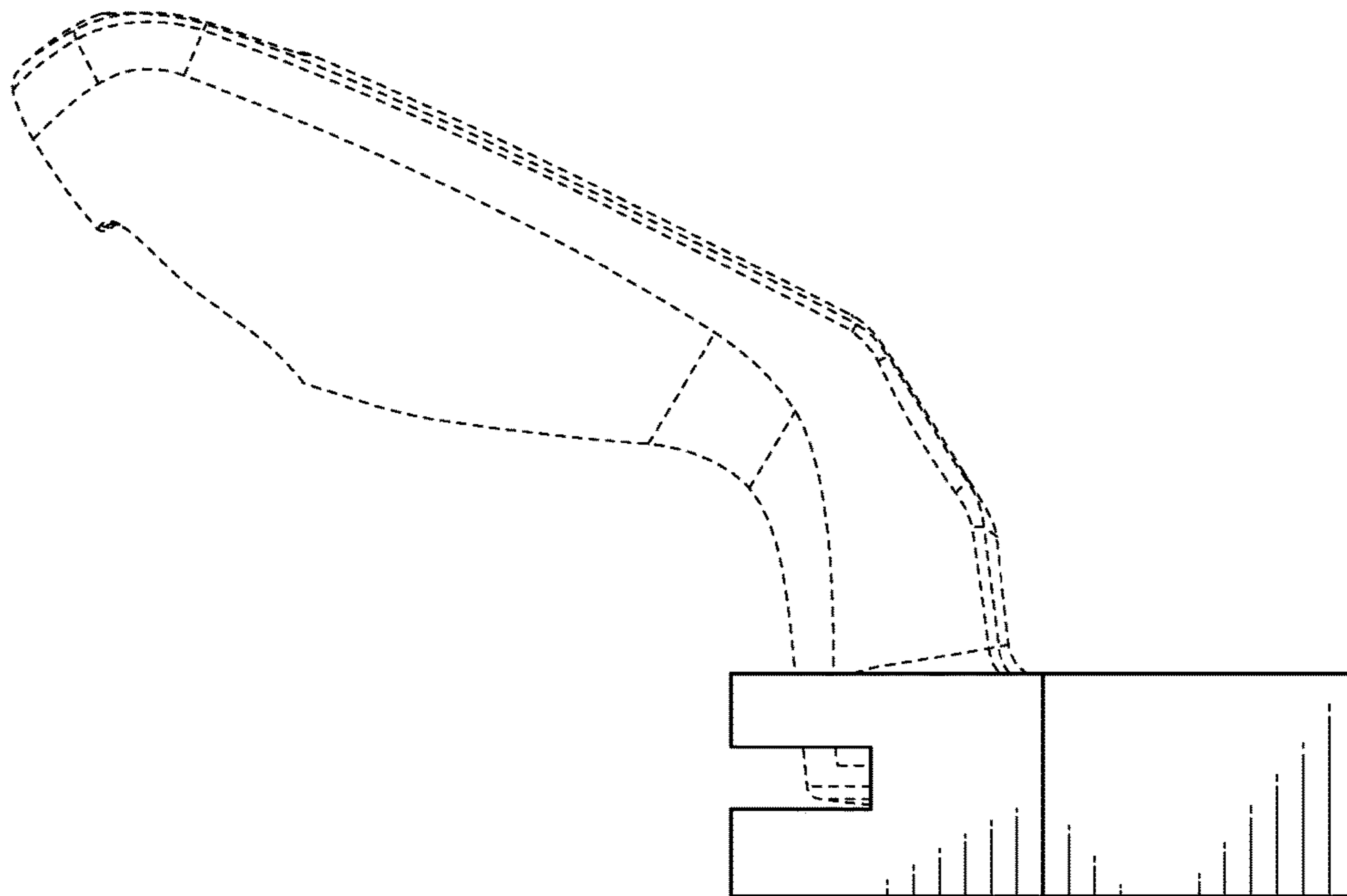


FIG. 4

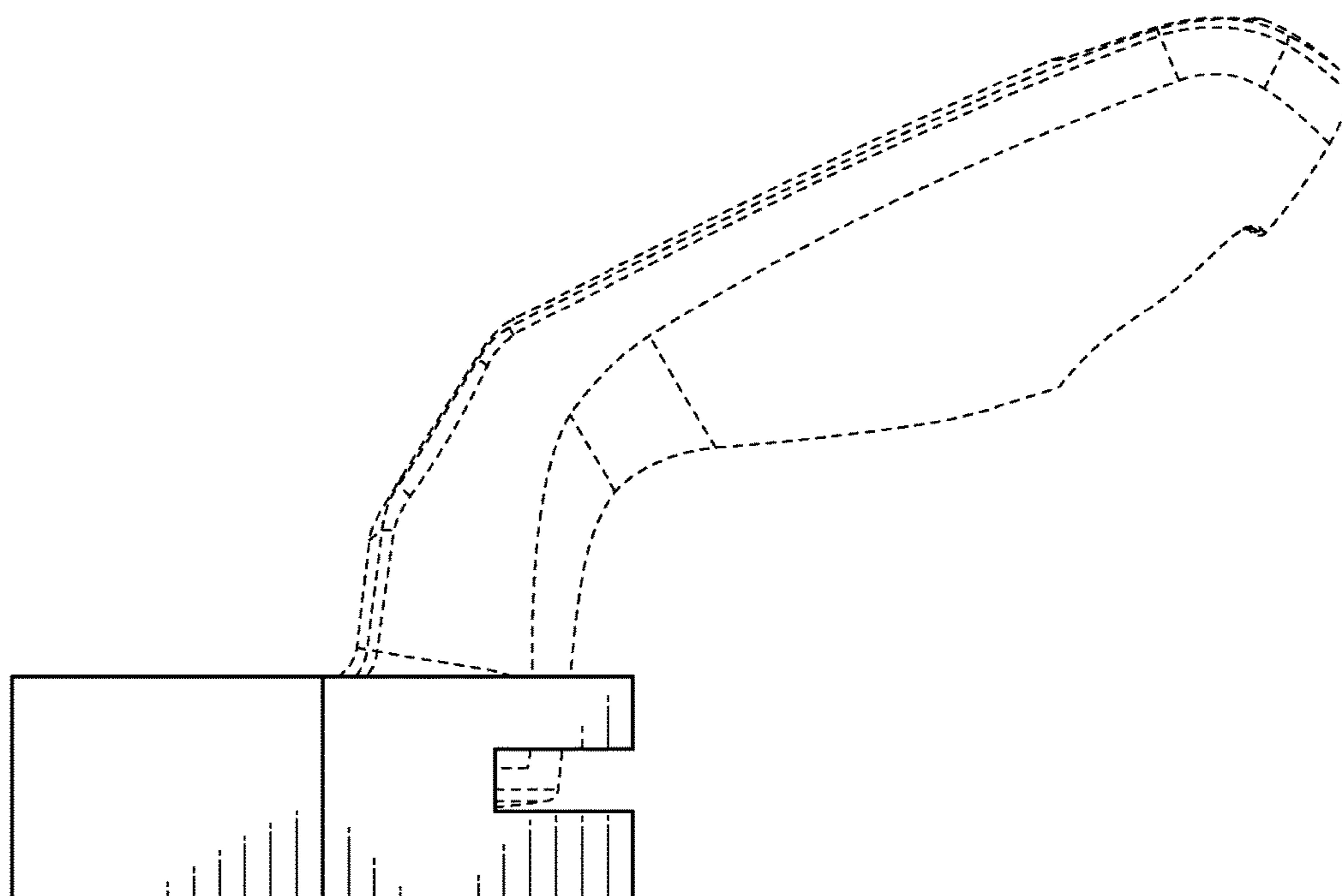


FIG. 5

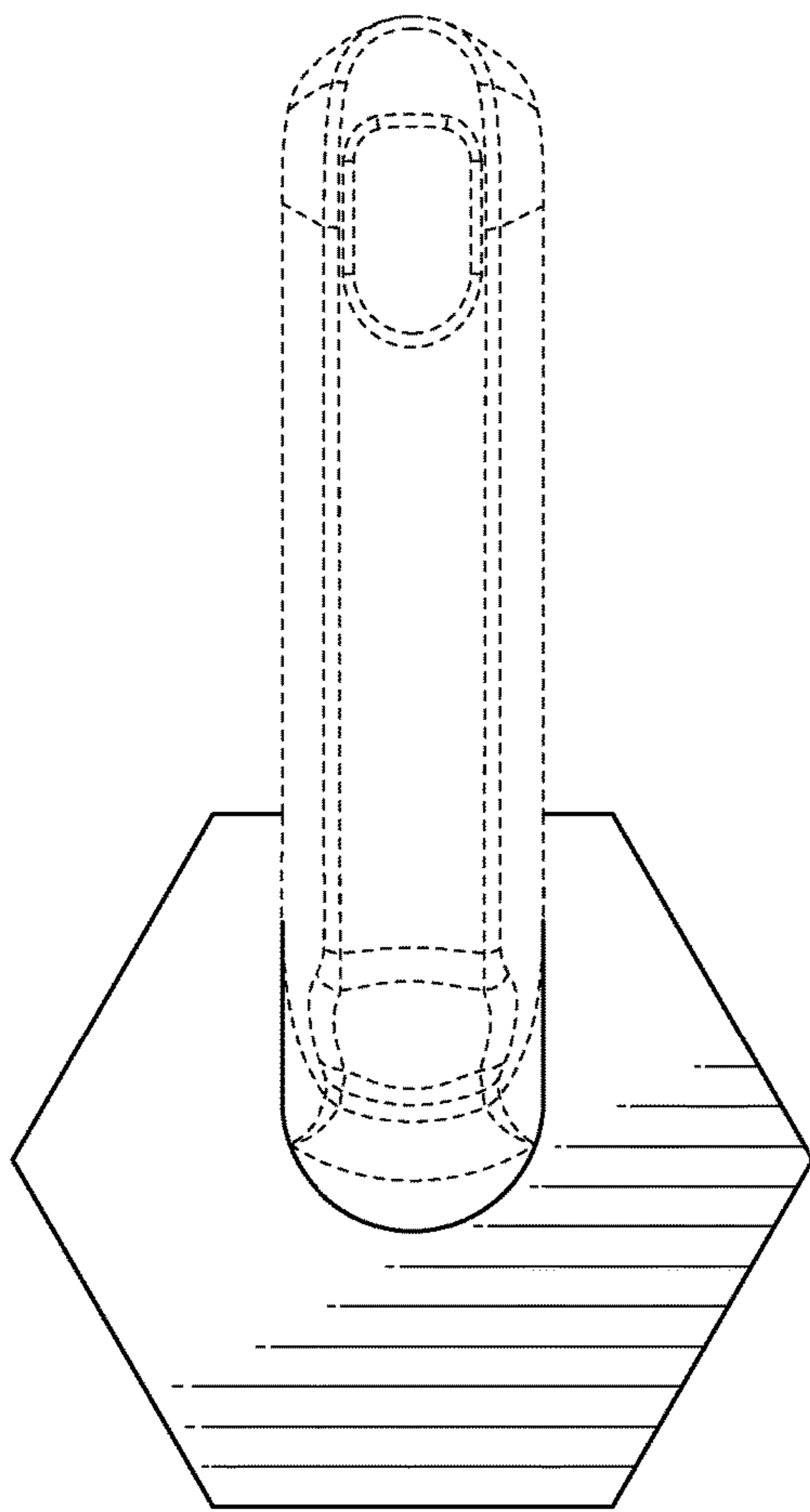


FIG. 6

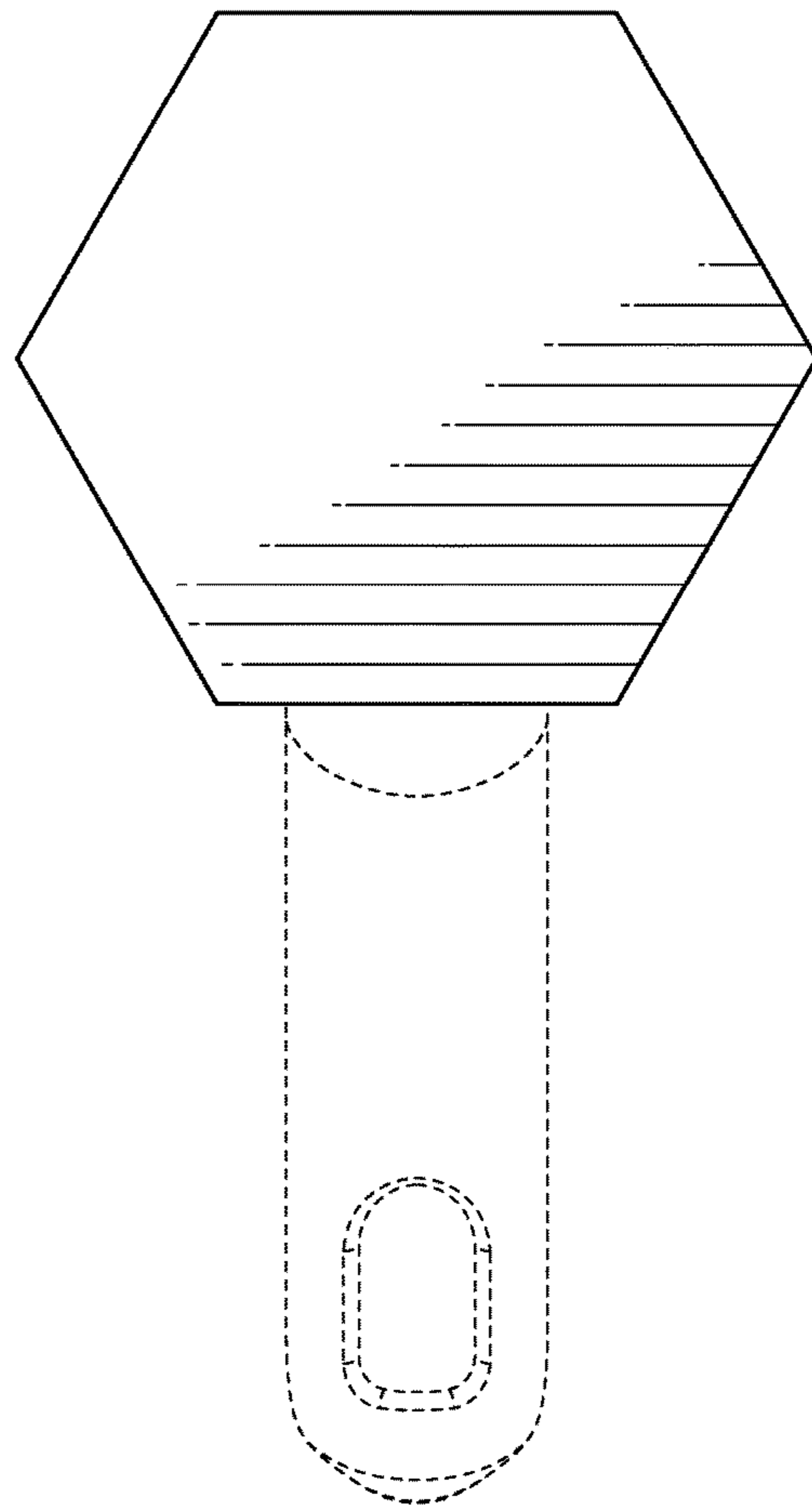


FIG. 7

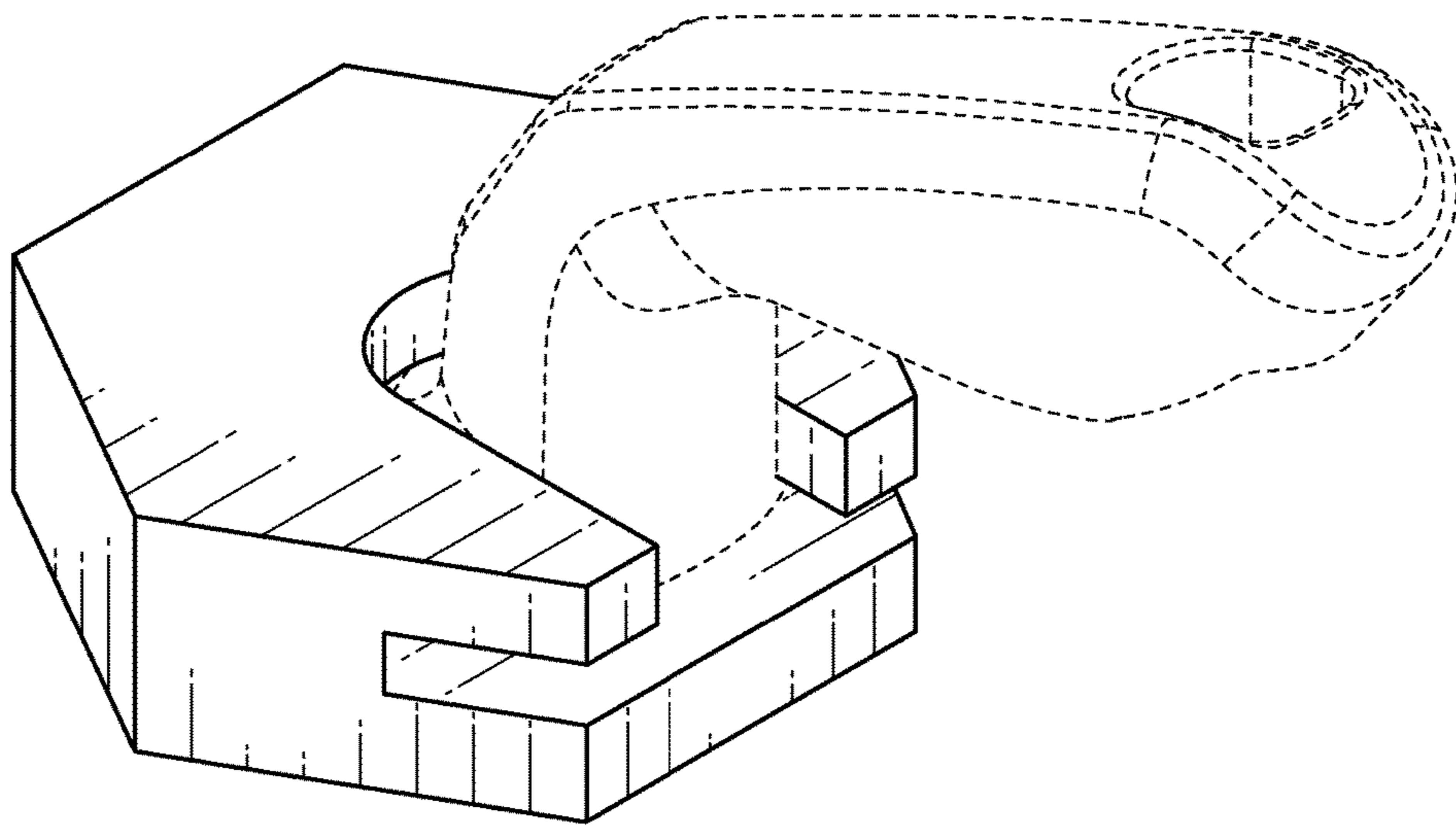


FIG. 8