

US00D864508S

(12) **United States Design Patent** (10) **Patent No.:** **US D864,508 S**  
**Wheeler** (45) **Date of Patent:** **\*\* Oct. 22, 2019**

(54) **WALL ANGLE CLEANING TOOL**  
(71) Applicant: **Markham Wheeler**, Strafford, MO (US)  
(72) Inventor: **Markham Wheeler**, Strafford, MO (US)  
(\*\*) Term: **15 Years**  
(21) Appl. No.: **29/650,387**  
(22) Filed: **Jun. 6, 2018**  
(51) **LOC (12) Cl.** ..... **07-05**  
(52) **U.S. Cl.**  
USPC ..... **D32/40**  
(58) **Field of Classification Search**  
USPC ..... D32/40-43, 46; D8/45, 5, 11; D18/56; D4/103  
CPC ..... A47L 13/12; A47L 13/34; A47L 13/10; A47L 1/12; A46B 7/00; A46B 5/00; A61F 13/10  
See application file for complete search history.

3,206,788 A \* 9/1965 Hahn ..... E04F 21/06 15/144.1  
4,207,674 A 6/1980 Heronema ..... 30/169  
D268,215 S \* 3/1983 McBride ..... D32/49  
(Continued)

**FOREIGN PATENT DOCUMENTS**

CN 304703140 \* 6/2018

**OTHER PUBLICATIONS**

Amazon.com: Clean Reach As Seen on TV! reviews 2017, site visited Feb. 26, 2019, [https://www.amazon.com/...3194679547221&hvpone=&hvptwo=&hvgmt=&hvdev=c&hvdvcmldl=&hvlocint=&hvlocphy=9008192&hvtargid=pla-312442918972&pssc=1#customerReviews.\\*](https://www.amazon.com/...3194679547221&hvpone=&hvptwo=&hvgmt=&hvdev=c&hvdvcmldl=&hvlocint=&hvlocphy=9008192&hvtargid=pla-312442918972&pssc=1#customerReviews.*)

*Primary Examiner* — John Windmuller  
*Assistant Examiner* — John R Yeh  
(74) *Attorney, Agent, or Firm* — Jonathan A. Bay

(57) **CLAIM**

The ornamental design for a wall angle cleaning tool, as shown and described.

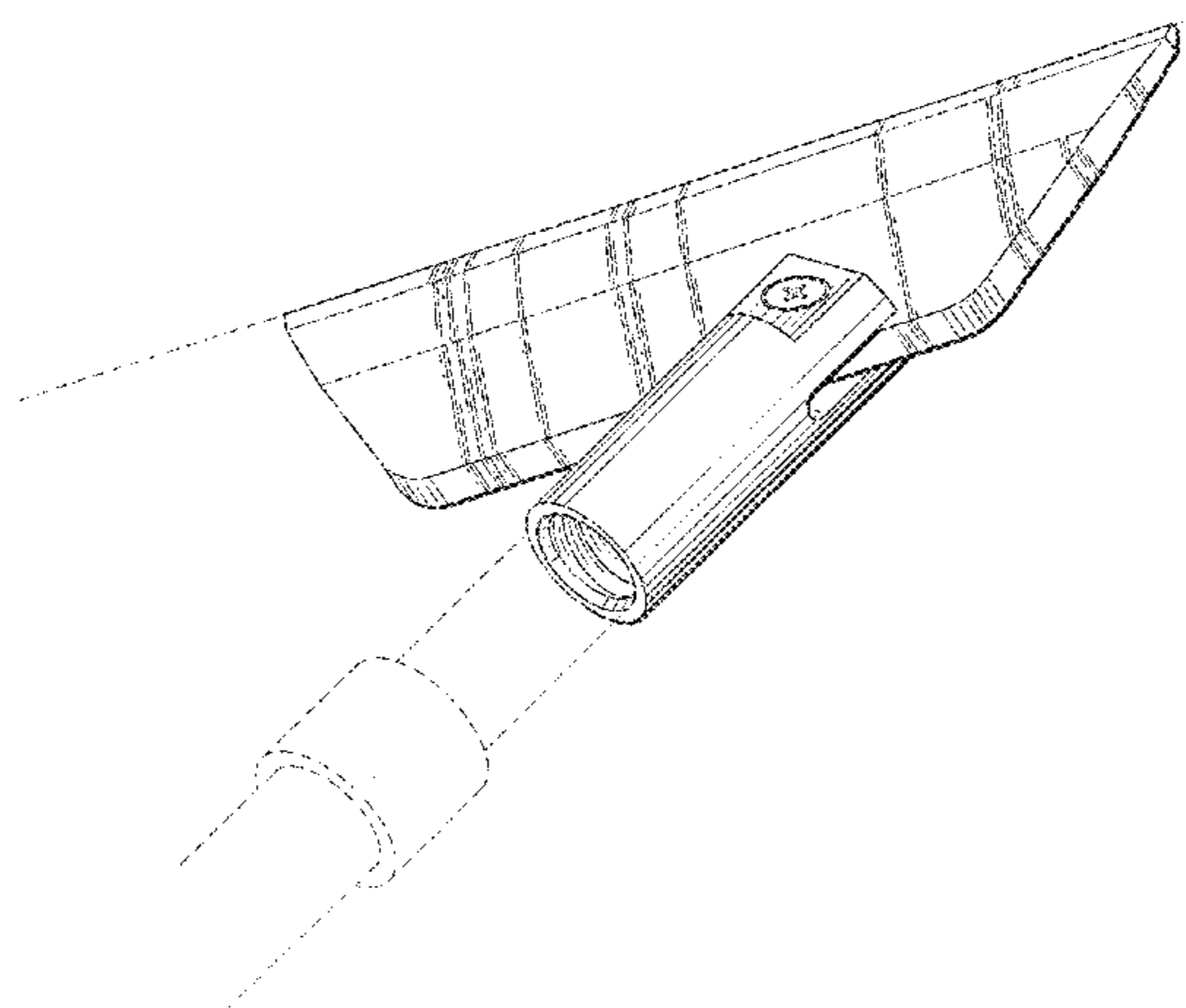
**DESCRIPTION**

FIG. 1 is a perspective view of a wall angle cleaning tool showing my new design;  
FIG. 2 is an enlarged perspective view of the wall angle cleaning tool shown in FIG. 1;  
FIG. 3 is a perspective view from the opposite side of FIG. 2;  
FIG. 4 is a side elevational view thereof;  
FIG. 5 is a side elevational view of the opposite side thereof;  
FIG. 6 is an end elevational view of the leading end thereof;  
FIG. 7 an end elevational view of the trailing end thereof;  
FIG. 8 is a top plan view thereof; and,  
FIG. 9 is a bottom plan view thereof.  
The broken lines in the drawing represent environmental subject matter that forms no part of the claimed design.

**1 Claim, 7 Drawing Sheets**

(56) **References Cited**  
U.S. PATENT DOCUMENTS

109,073 A \* 11/1870 Streeter ..... E04F 21/161 15/235.7  
D26,798 S \* 3/1897 Norton ..... D32/46  
D32,484 S \* 4/1900 Bowles ..... D32/46  
718,534 A 1/1903 Shedd ..... 172/372  
891,871 A \* 6/1908 Smith ..... A47L 13/08 15/236.01  
1,057,947 A 4/1913 Dietz ..... 15/245  
1,665,766 A 4/1928 Binger ..... 30/172  
2,178,899 A \* 11/1939 Shaffer ..... E04F 21/161 15/235.7  
2,280,186 A 7/1945 Mayer ..... 15/236.05  
2,535,253 A 12/1950 Anderson ..... 30/128  
2,616,285 A \* 11/1952 Shields ..... E04F 21/1655 15/235.7  
2,756,499 A 7/1956 Liesunaitis ..... 30/169  
2,821,017 A 1/1958 Liesunaitis ..... 30/169



(56)

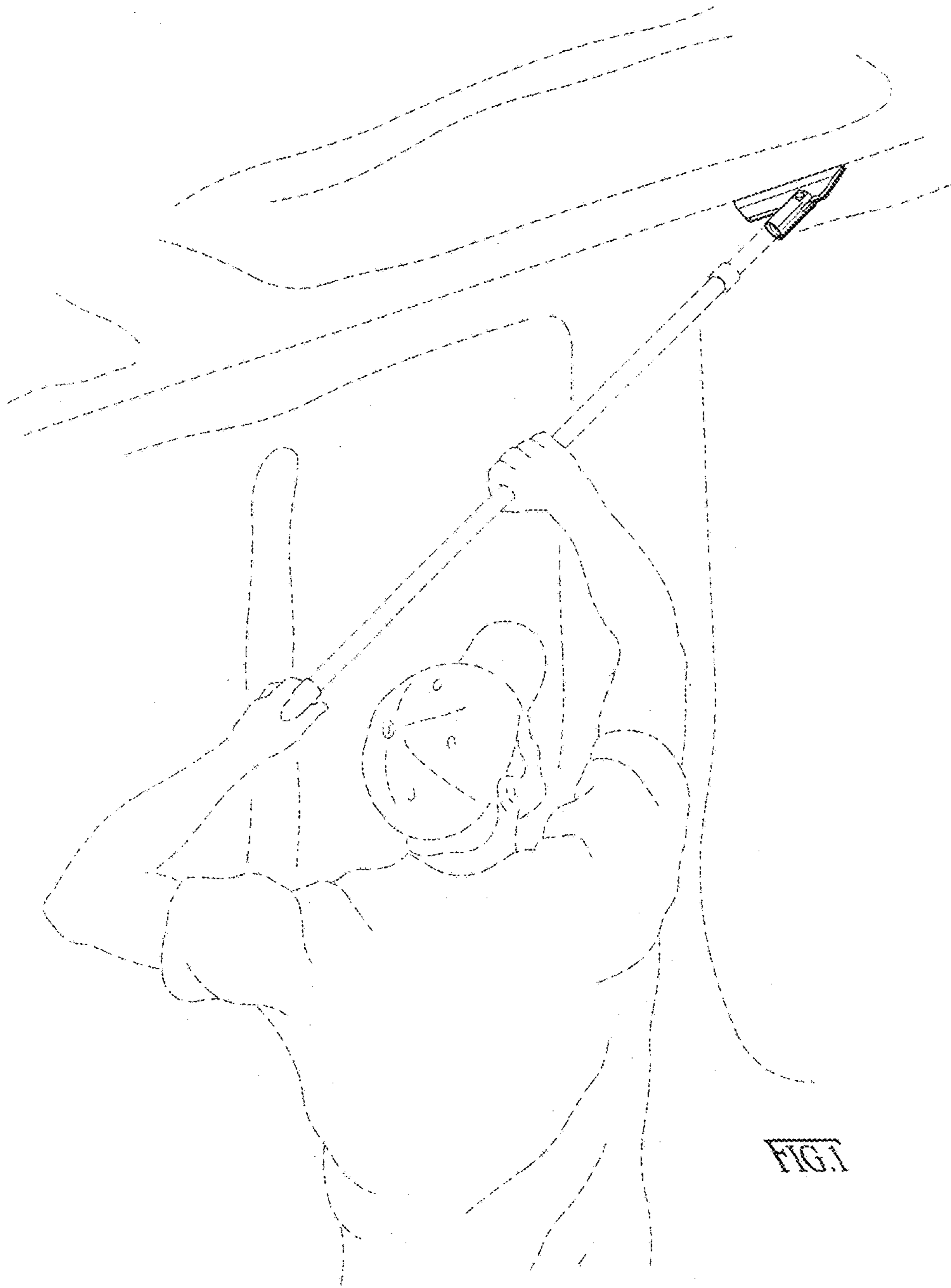
References Cited

U.S. PATENT DOCUMENTS

4,538,847 A 9/1985 Lapshansky ..... 294/51  
 4,619,013 A 10/1986 Yon ..... 15/235.8  
 4,669,970 A 6/1987 Perry ..... 425/458  
 4,817,229 A 4/1989 Sedillo ..... 15/144.1  
 D307,862 S \* 5/1990 Masotta ..... D32/46  
 4,946,360 A \* 8/1990 Brown ..... B05C 17/10  
 15/235.7  
 5,099,539 A 3/1992 Forester ..... 15/143 B  
 5,165,144 A 11/1992 Nisenbaum ..... 16/111 R  
 D340,627 S \* 10/1993 Kisby ..... D8/11  
 5,261,144 A 11/1993 Mitchell et al. .... 15/235.4  
 D362,754 S \* 10/1995 Martini ..... D32/40  
 5,467,497 A 11/1995 Greene et al. .... 15/235.8  
 D388,572 S \* 12/1997 Gold ..... D32/46  
 5,829,808 A 11/1998 Colla ..... 294/53.5  
 6,101,663 A 8/2000 Greer, Jr. et al. .... 15/236.01  
 6,260,238 B1 7/2001 MacMillan ..... 16/429

6,295,689 B1 10/2001 Sciacca ..... 15/245.1  
 6,298,517 B1 \* 10/2001 McKay ..... A47L 13/20  
 15/144.1  
 D453,672 S \* 2/2002 McCoy ..... D8/45  
 6,494,963 B1 12/2002 Holly ..... 134/6  
 D531,865 S \* 11/2006 Lambertson, Jr. .... D8/45  
 7,533,468 B1 5/2009 Hinkle ..... 30/169  
 7,721,377 B2 5/2010 Jungklaus et al. .... 15/144.4  
 D617,967 S \* 6/2010 Lambert ..... D32/46  
 7,752,703 B1 7/2010 Silva ..... 15/245.1  
 D648,911 S \* 11/2011 Brown ..... D32/40  
 8,468,639 B2 \* 6/2013 Zwijack ..... E04F 21/02  
 15/236.01  
 D707,088 S \* 6/2014 Schugart ..... D7/688  
 D753,457 S \* 4/2016 Hurt ..... D8/45  
 9,301,649 B2 \* 4/2016 Costa ..... A47J 43/288  
 10,160,098 B2 \* 12/2018 Lim ..... B24B 49/00  
 2011/0146018 A1 \* 6/2011 Vasilakes ..... A47L 13/11  
 15/231  
 2014/0256237 A1 9/2014 Momper et al. .... 451/490

\* cited by examiner



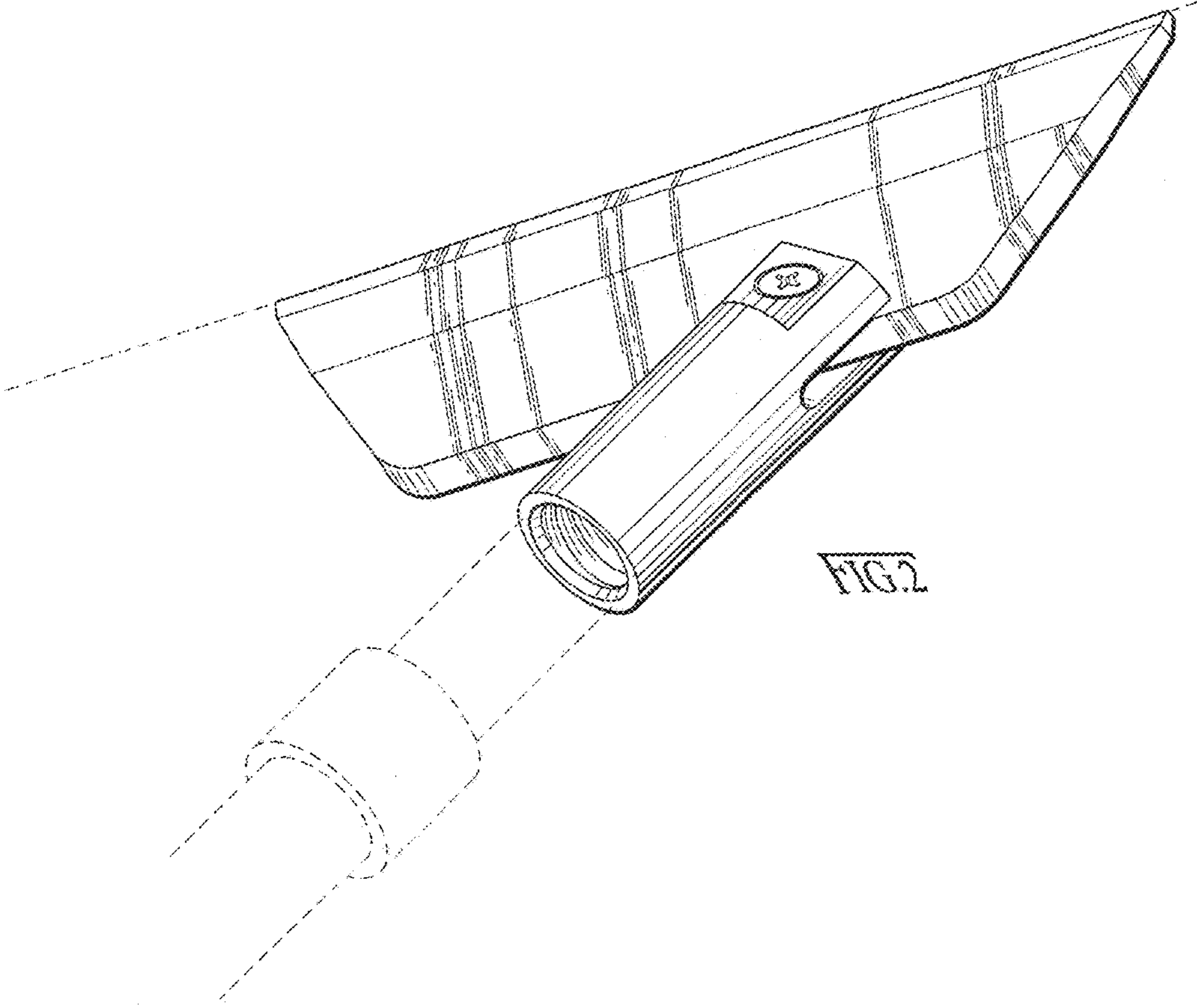
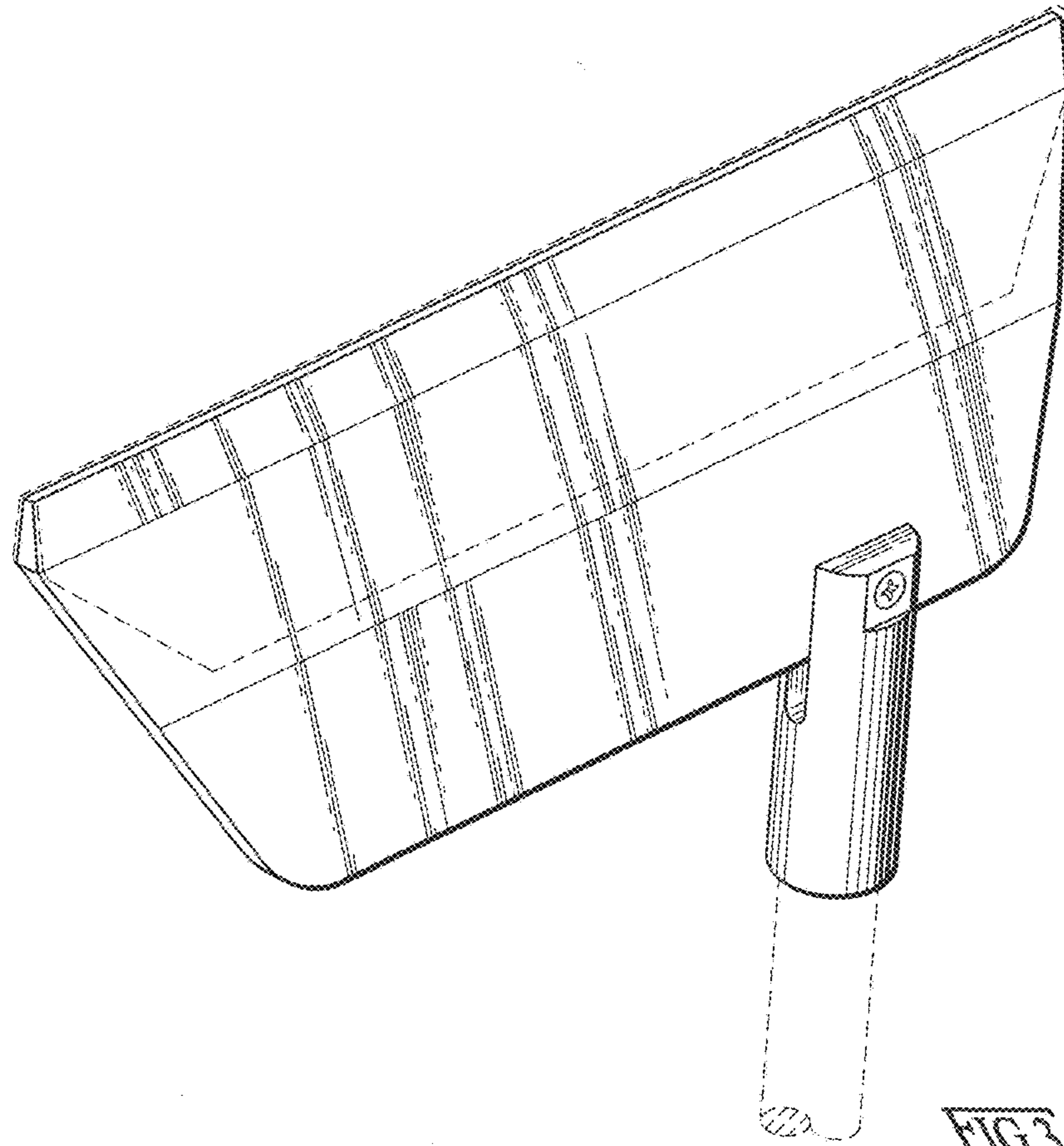
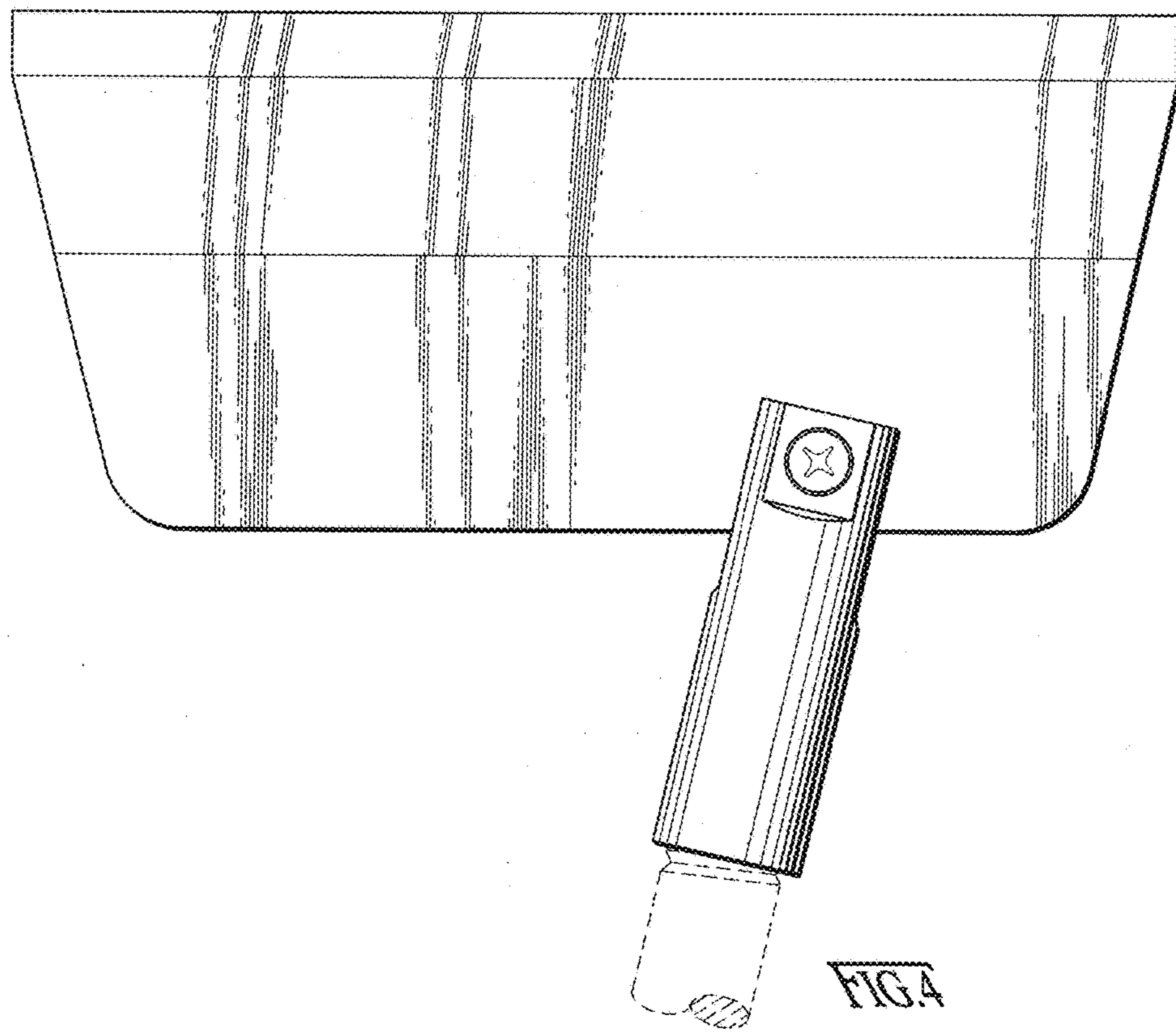
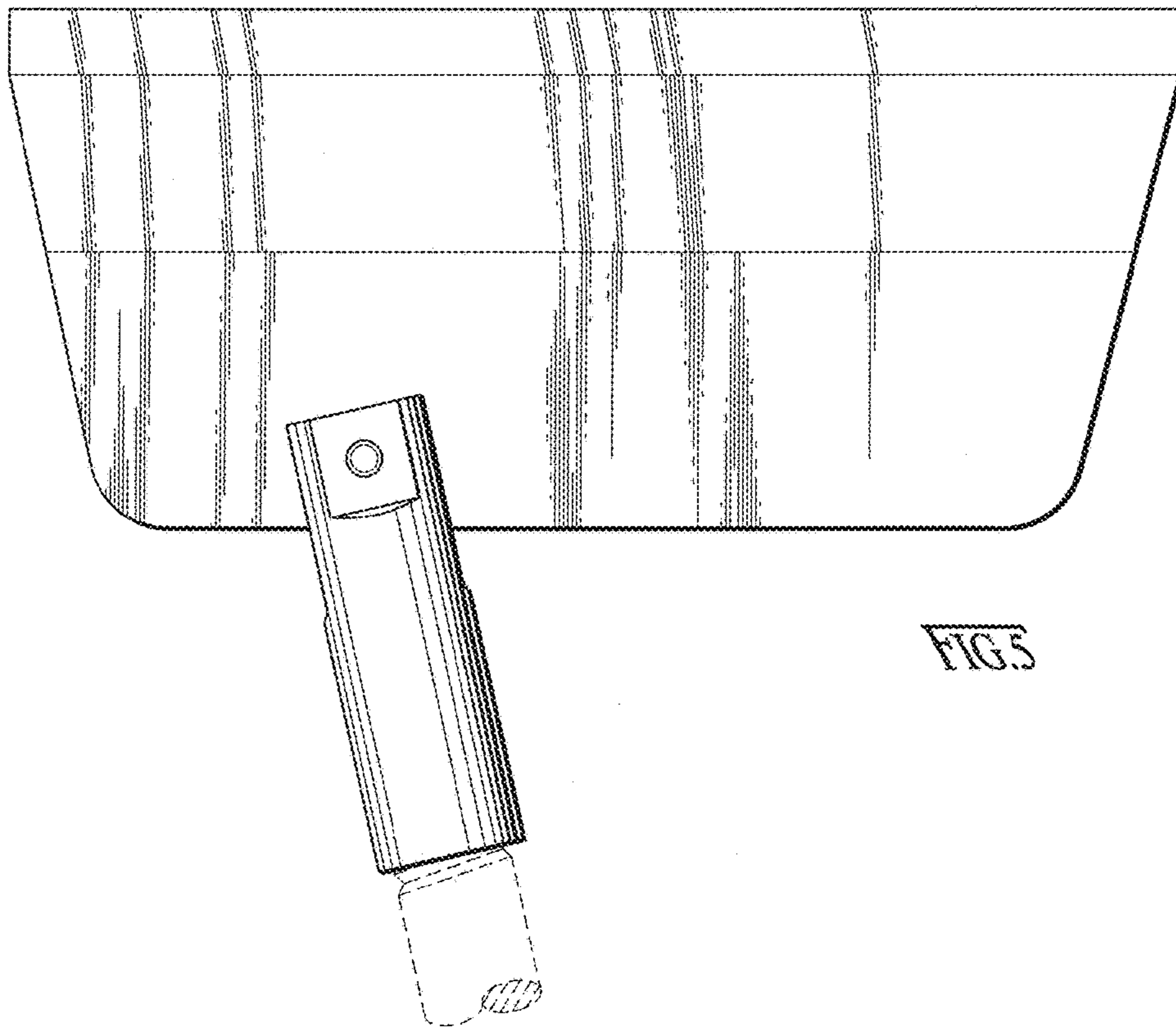
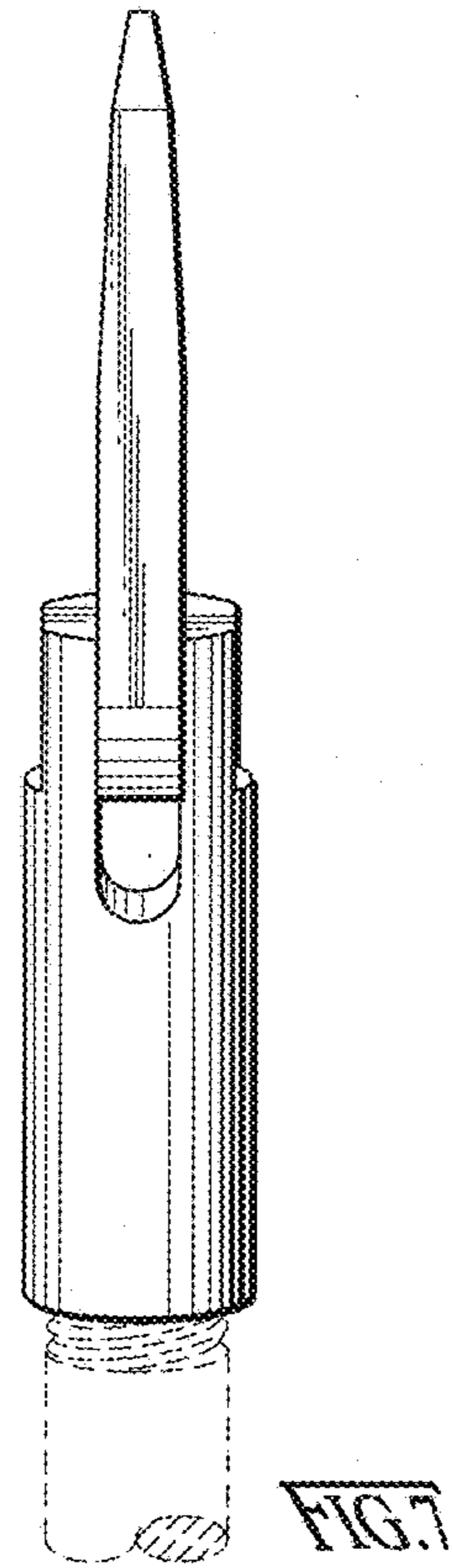
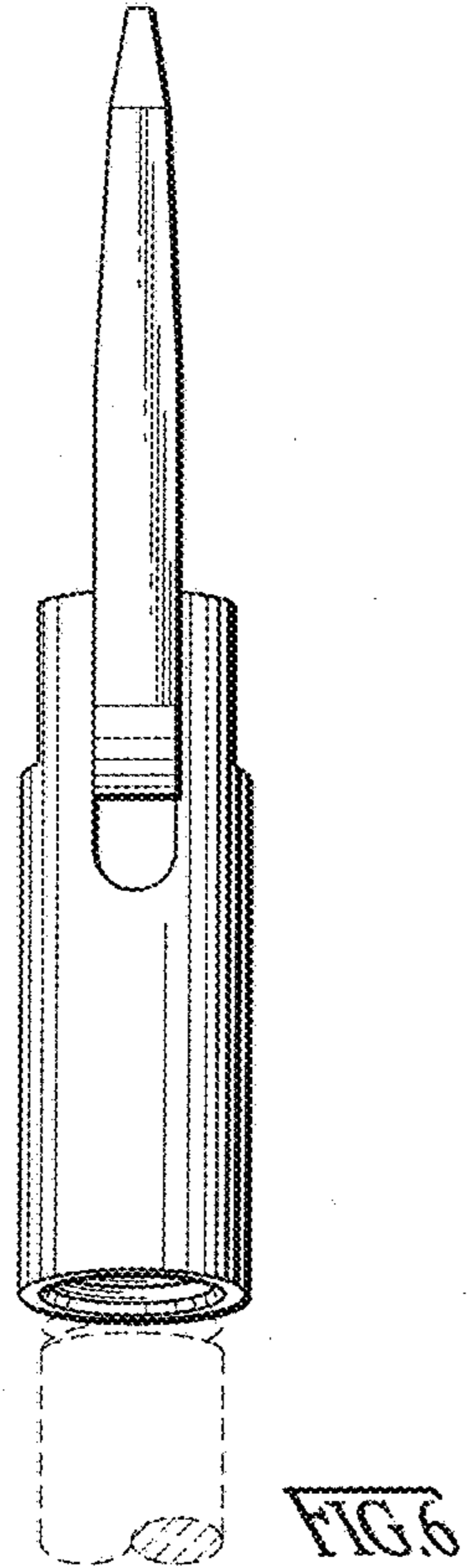


FIG. 2











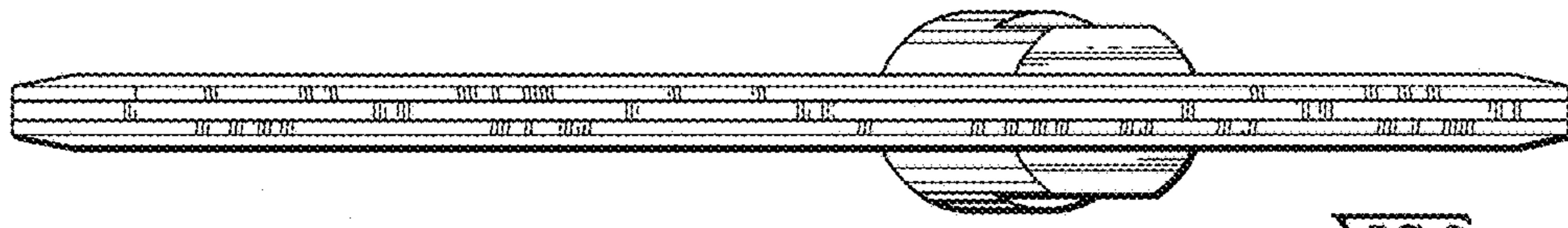


FIG. 8

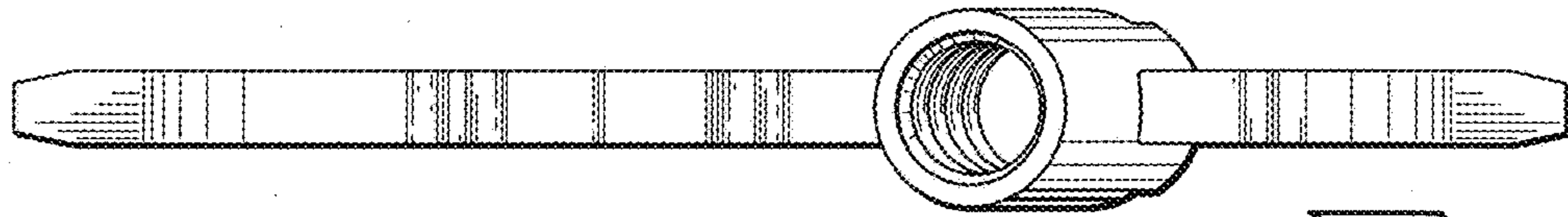


FIG. 9