

US00D864505S

(12) **United States Design Patent**  
**Yang**

(10) **Patent No.:** **US D864,505 S**

(45) **Date of Patent:** **\*\* Oct. 22, 2019**

(54) **HAND DUSTER**

(71) Applicant: **Shouqiang Yang**, Dongguan (CN)

(72) Inventor: **Shouqiang Yang**, Dongguan (CN)

(\*\*) Term: **15 Years**

(21) Appl. No.: **29/618,919**

(22) Filed: **Sep. 26, 2017**

(51) **LOC (12) Cl.** ..... **15-05**

(52) **U.S. Cl.**  
USPC ..... **D32/21**

(58) **Field of Classification Search**  
USPC ..... D32/21-23, 31, 34  
CPC . A47L 5/362; A47L 5/365; A47L 5/28; A47L

5/32; A47L 5/36; A47L 7/0004; A47L  
7/0038; A47L 11/29; A47L 11/30  
See application file for complete search history.

(56) **References Cited**

**U.S. PATENT DOCUMENTS**

D324,930 S \* 3/1992 Pino ..... D32/23  
D338,294 S \* 8/1993 Kohler ..... D32/23  
D344,376 S \* 2/1994 Worwag ..... D32/23

D358,689 S \* 5/1995 Wallace ..... D32/23  
D365,178 S \* 12/1995 Rakocy ..... D32/23  
D367,342 S \* 2/1996 Langeland ..... D32/23  
D398,100 S \* 9/1998 Stephens ..... D32/23  
D423,154 S \* 4/2000 Rohn ..... D32/23  
D519,251 S \* 4/2006 Hoshino ..... D32/23  
7,210,193 B2 \* 5/2007 Moore ..... A47L 5/365  
15/323  
D568,011 S \* 4/2008 Lee ..... D32/23  
D712,101 S \* 8/2014 Elmer ..... D32/21

\* cited by examiner

*Primary Examiner* — Ruth McInroy

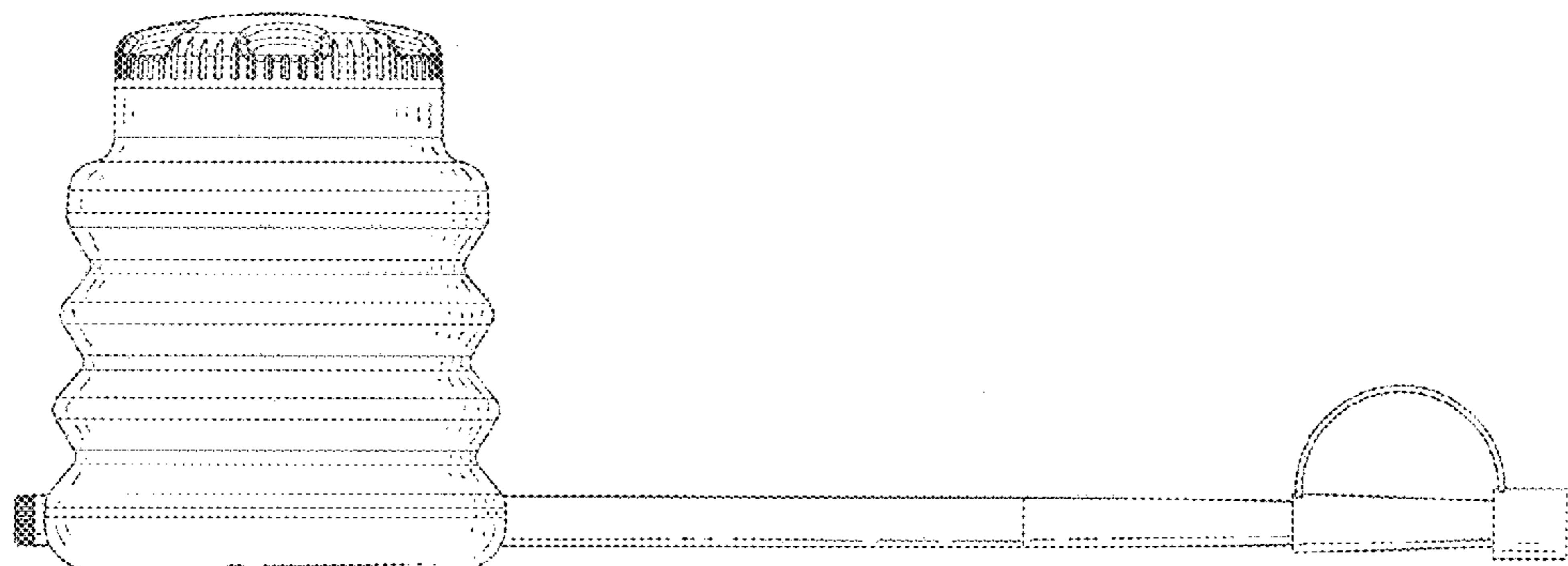
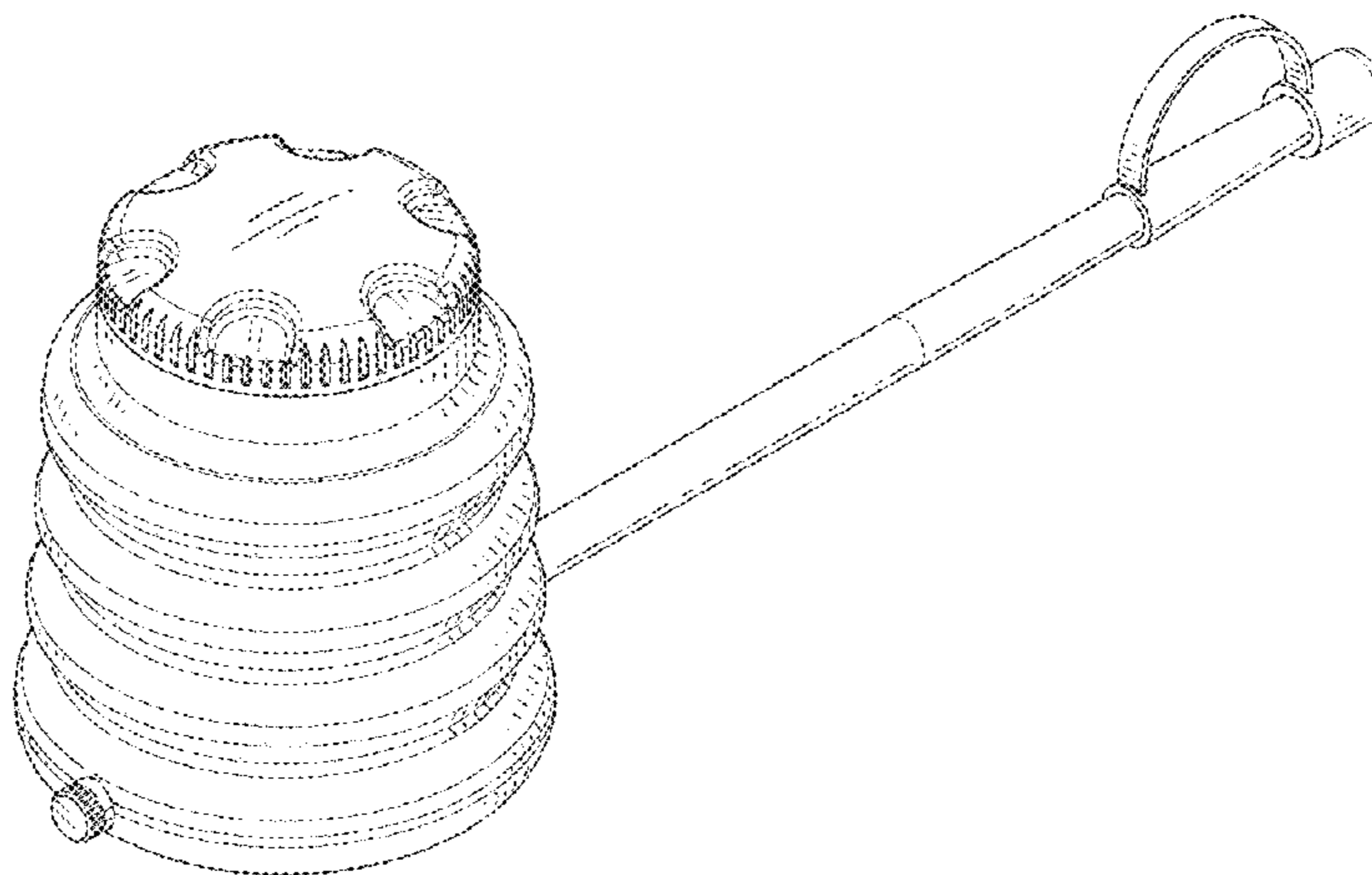
(57) **CLAIM**

The ornamental design for a hand duster, as shown and described.

**DESCRIPTION**

FIG. 1 is a perspective view of a hand duster showing my new design;  
FIG. 2 is a front elevational view thereof;  
FIG. 3 is a rear elevational view thereof;  
FIG. 4 is a left side elevational view thereof;  
FIG. 5 is a right side elevational view thereof;  
FIG. 6 is a top plan view thereof;  
FIG. 7 is a bottom plan view thereof; and,  
FIG. 8 is another perspective view thereof.

**1 Claim, 7 Drawing Sheets**



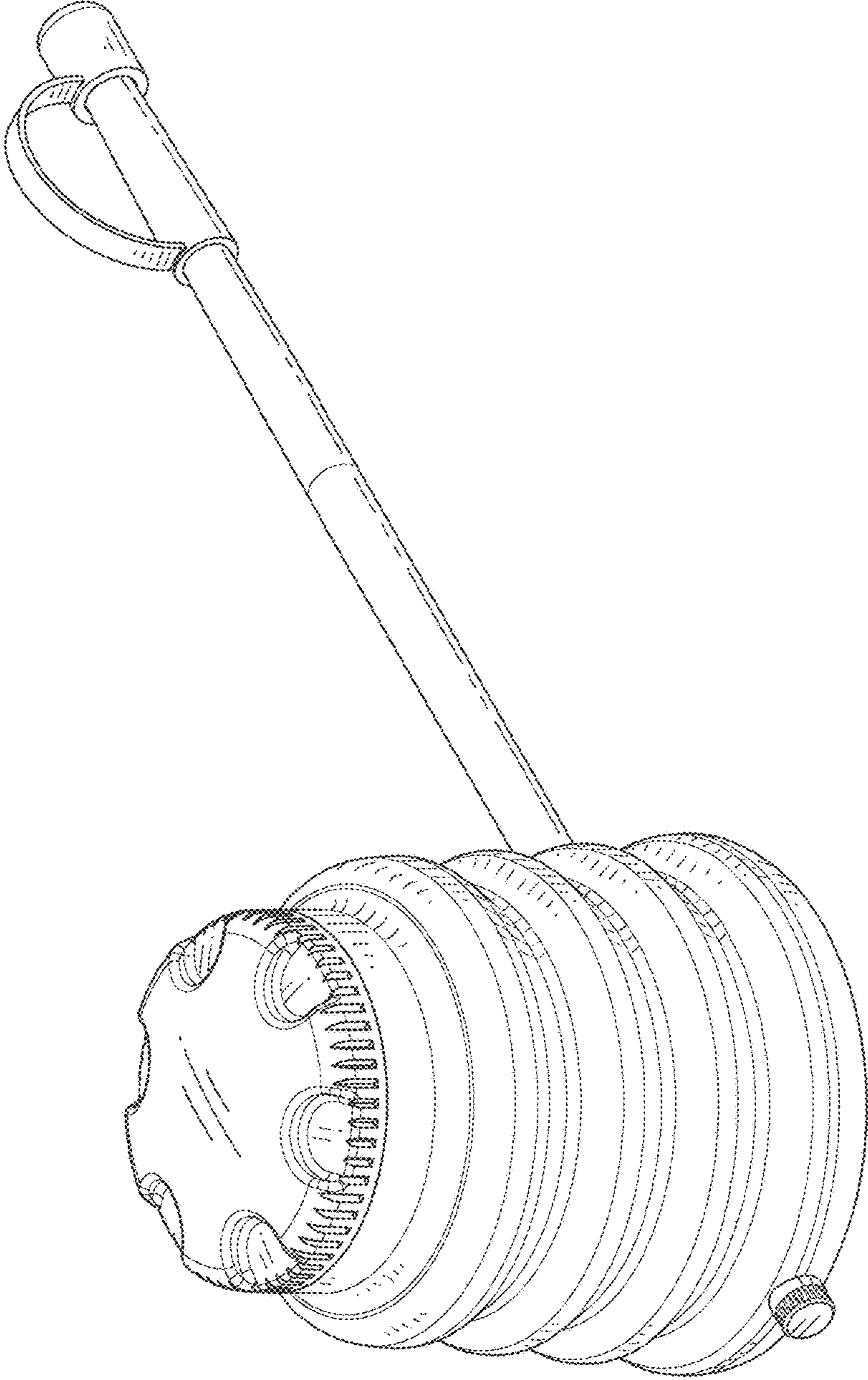


Fig. 1

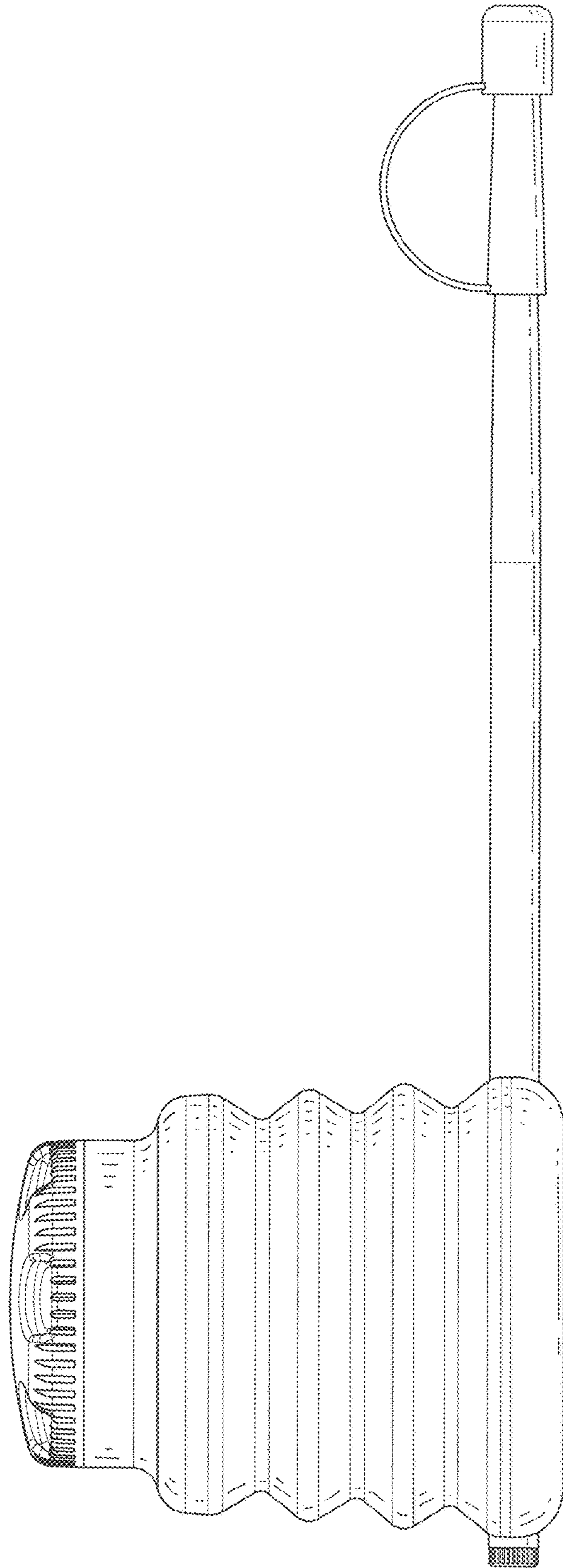


Fig. 2

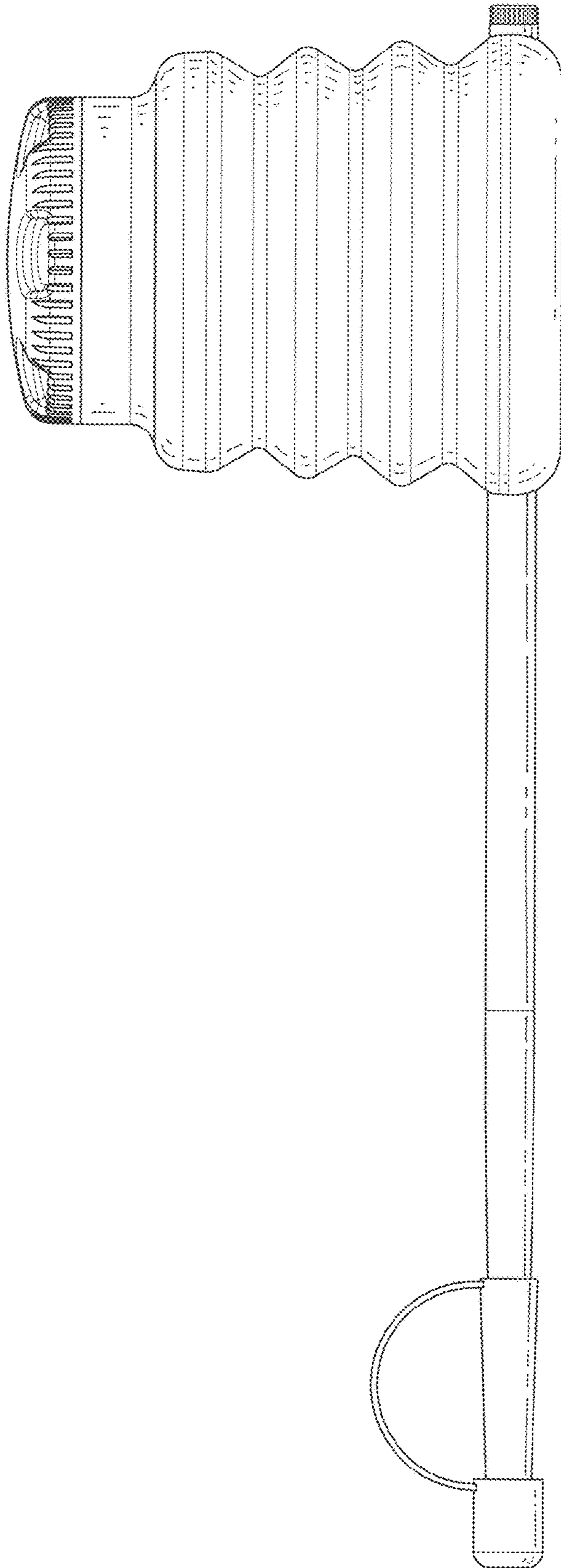


Fig. 3

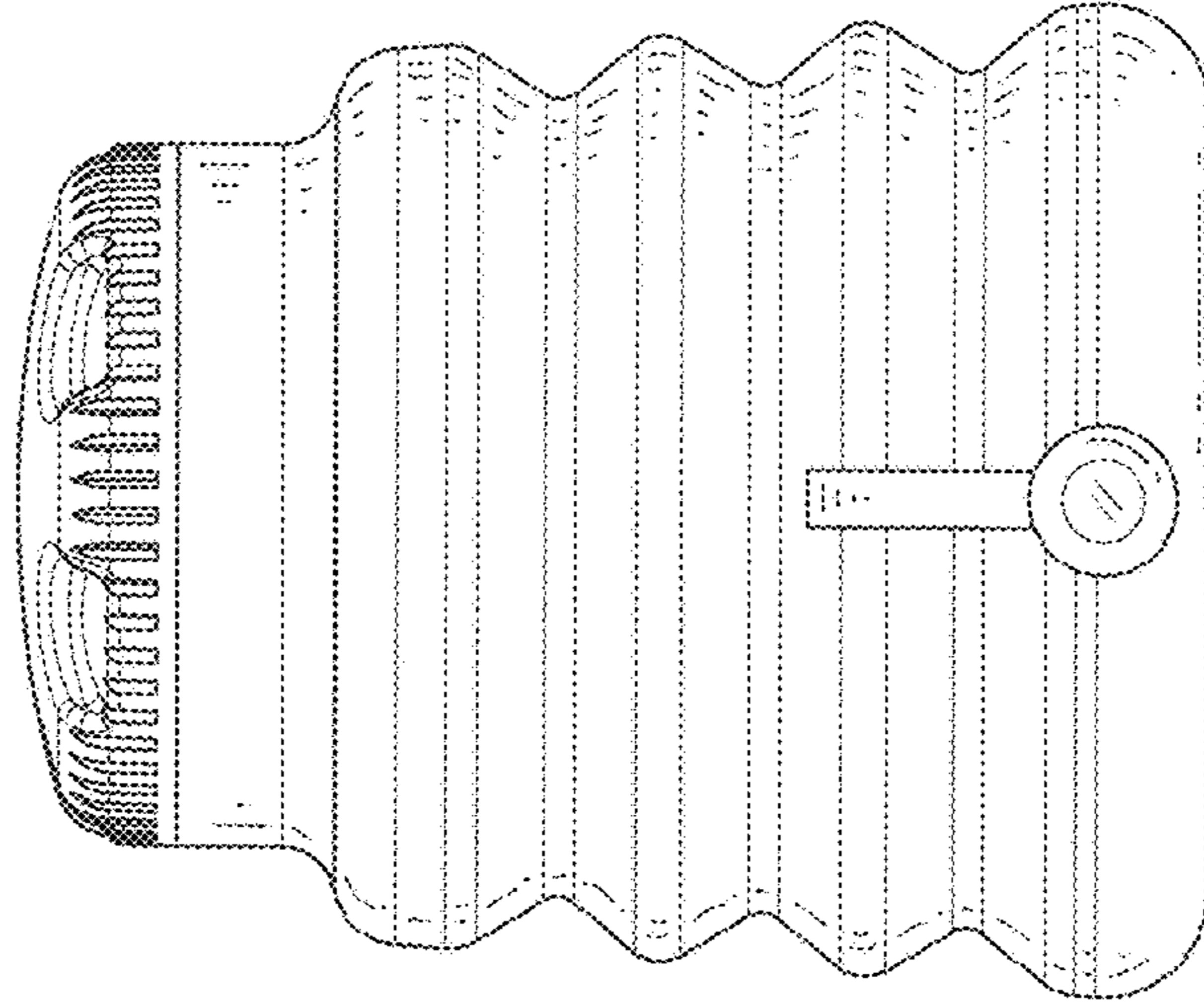


Fig. 5

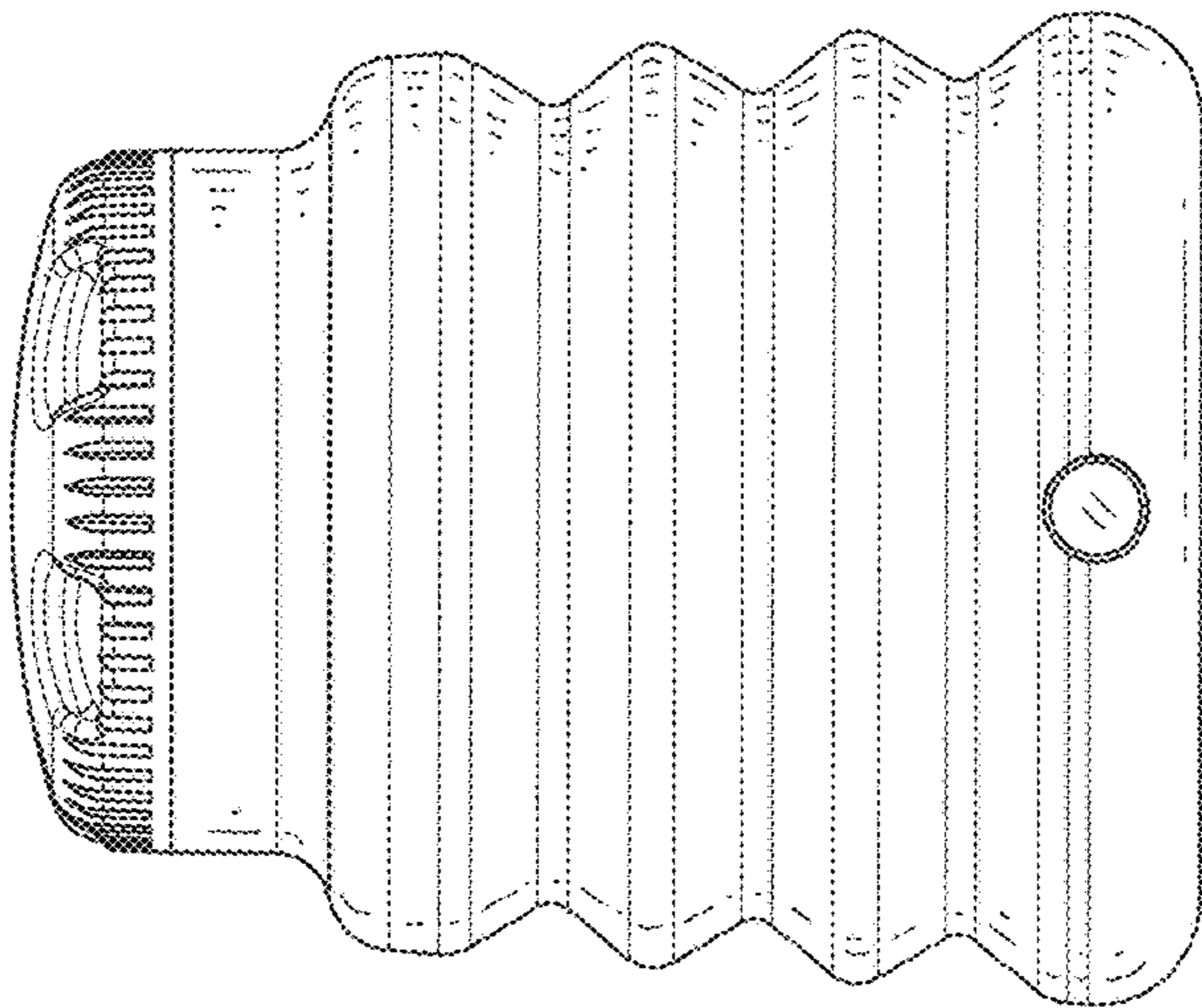


Fig. 4

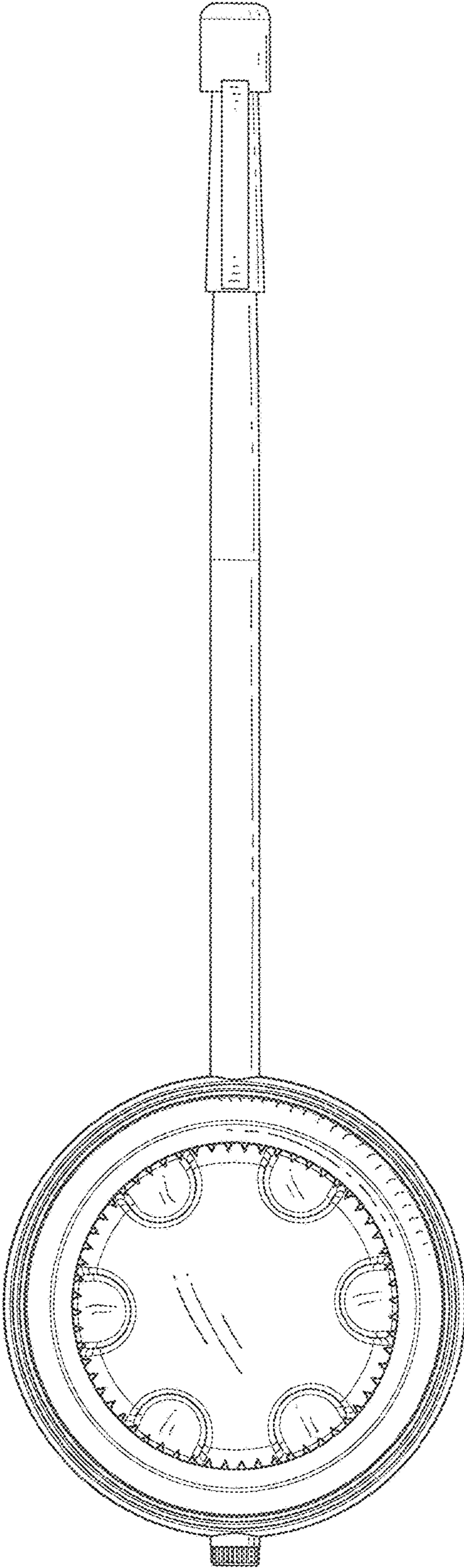


Fig.6

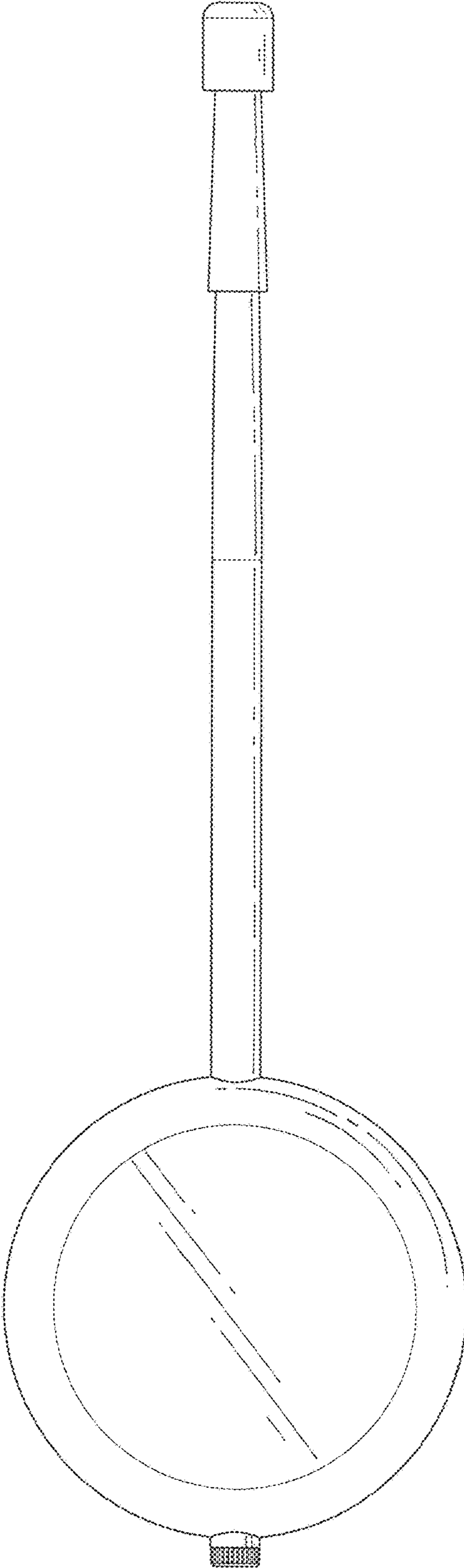


Fig. 7

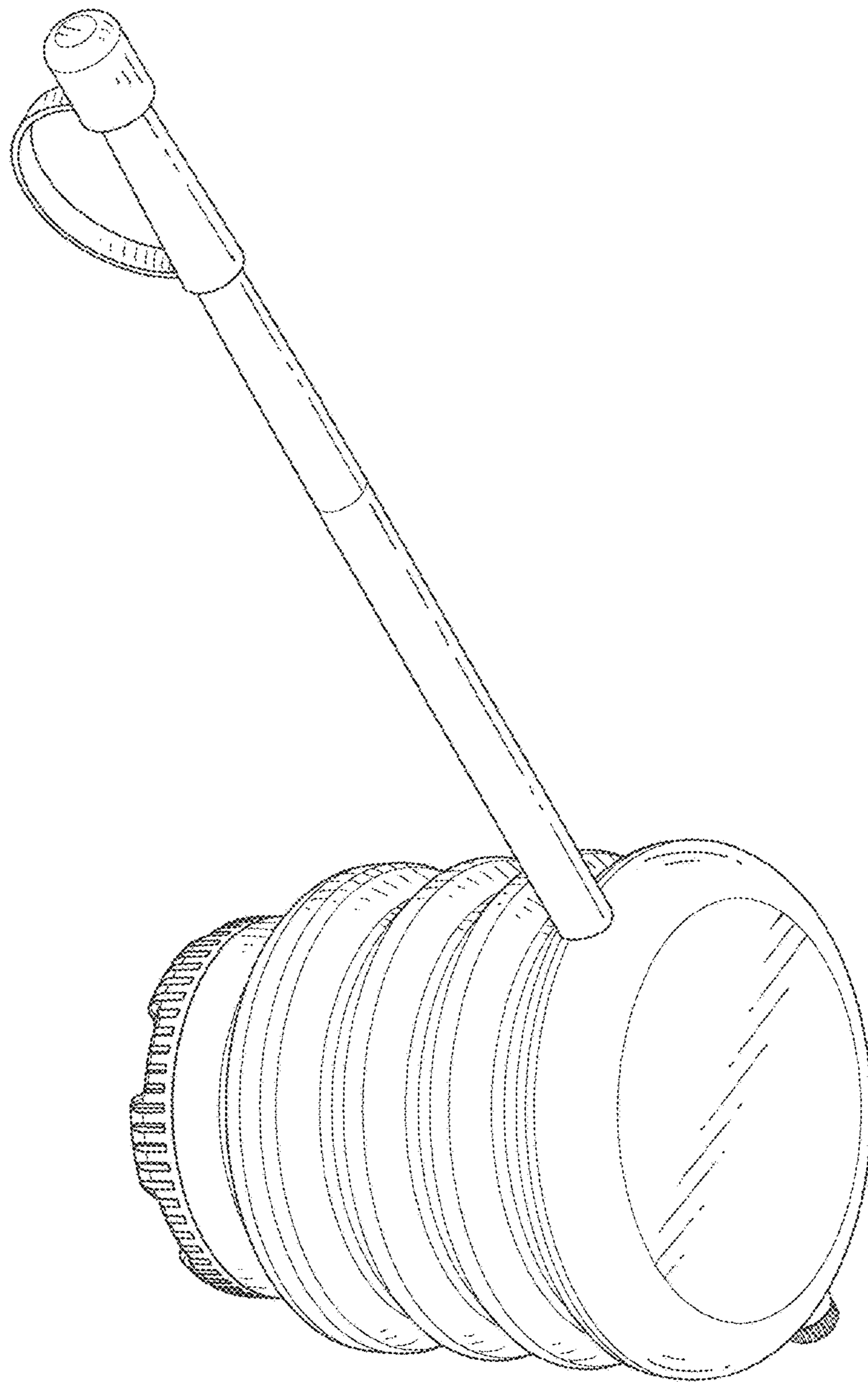


Fig. 8