

US00D864504S

(12) **United States Design Patent** (10) **Patent No.:** **US D864,504 S**  
**Kim et al.** (45) **Date of Patent:** **\*\* Oct. 22, 2019**

(54) **DISHWASHER**

D778,008 S \* 1/2017 Roberson ..... D32/3  
D801,600 S \* 10/2017 Kim ..... D32/2  
D827,951 S \* 9/2018 Lee ..... D32/2

(71) Applicant: **SAMSUNG ELECTRONICS CO., LTD.**, Suwon-si, Gyeonggi-do (KR)

(72) Inventors: **Daejong Kim**, Suwon-si (KR); **Jaejun Kim**, Seoul (KR); **Gisung Han**, Seoul (KR)

(73) Assignee: **SAMSUNG ELECTRONICS CO., LTD.**, Gyeonggi-Do (KR)

(\*\*) Term: **15 Years**

(21) Appl. No.: **29/633,116**

(22) Filed: **Jan. 12, 2018**

(30) **Foreign Application Priority Data**

Aug. 24, 2017 (KR) ..... 30-2017-0039467

(51) **LOC (12) Cl.** ..... **15-05**

(52) **U.S. Cl.**  
USPC ..... **D32/2**

(58) **Field of Classification Search**  
USPC ..... D32/2, 3, 28, 25; D7/340, 348  
CPC .... A47L 15/22; A47L 15/449; A47L 15/4463;  
A47L 15/4445; A47L 15/4295; A47L  
15/0055; A47L 15/0057; A47L 2301/04;  
A47L 2501/07

See application file for complete search history.

(56) **References Cited**

**U.S. PATENT DOCUMENTS**

D656,692 S \* 3/2012 Kim ..... D32/2  
D665,957 S \* 8/2012 Eng ..... D32/2  
D673,742 S \* 1/2013 Eng ..... D32/2  
D743,118 S \* 11/2015 Lee ..... D32/2

**OTHER PUBLICATIONS**

Ed Perratore, "KitchenAid Dishwasher With Window Lets You Watch the Washing," Consumer Reports, Feb. 19, 2016, pp. 1-6. Retrieved from the Internet: <URL: <https://www.consumerreports.org/dishwashers/kitchenaid-dishwasher-with-window-lets-you-watch-the-washing/>>.

\* cited by examiner

*Primary Examiner* — Michelle E. Wilson

(74) *Attorney, Agent, or Firm* — Cantor Colburn LLP

(57) **CLAIM**

The ornamental design for a dishwasher, as shown and described.

**DESCRIPTION**

FIG. 1 is a perspective view of a dishwasher, showing our new design;

FIG. 2 is a front view thereof;

FIG. 3 is a rear view thereof;

FIG. 4 is a left side view thereof;

FIG. 5 is a right side view thereof;

FIG. 6 is a top view thereof;

FIG. 7 is a bottom view thereof;

FIG. 8 is another perspective view thereof in an alternate position in which the front and top doors are opened; and, FIG. 9 is another perspective view thereof in an example environment in which the dishwasher is combined with a sink.

The broken lines showing portions of the dishwasher and environmental structure form no part of the claimed design.

The jagged dot-dash broken lines indicate a removal boundary and form no part of the claimed design.

**1 Claim, 9 Drawing Sheets**

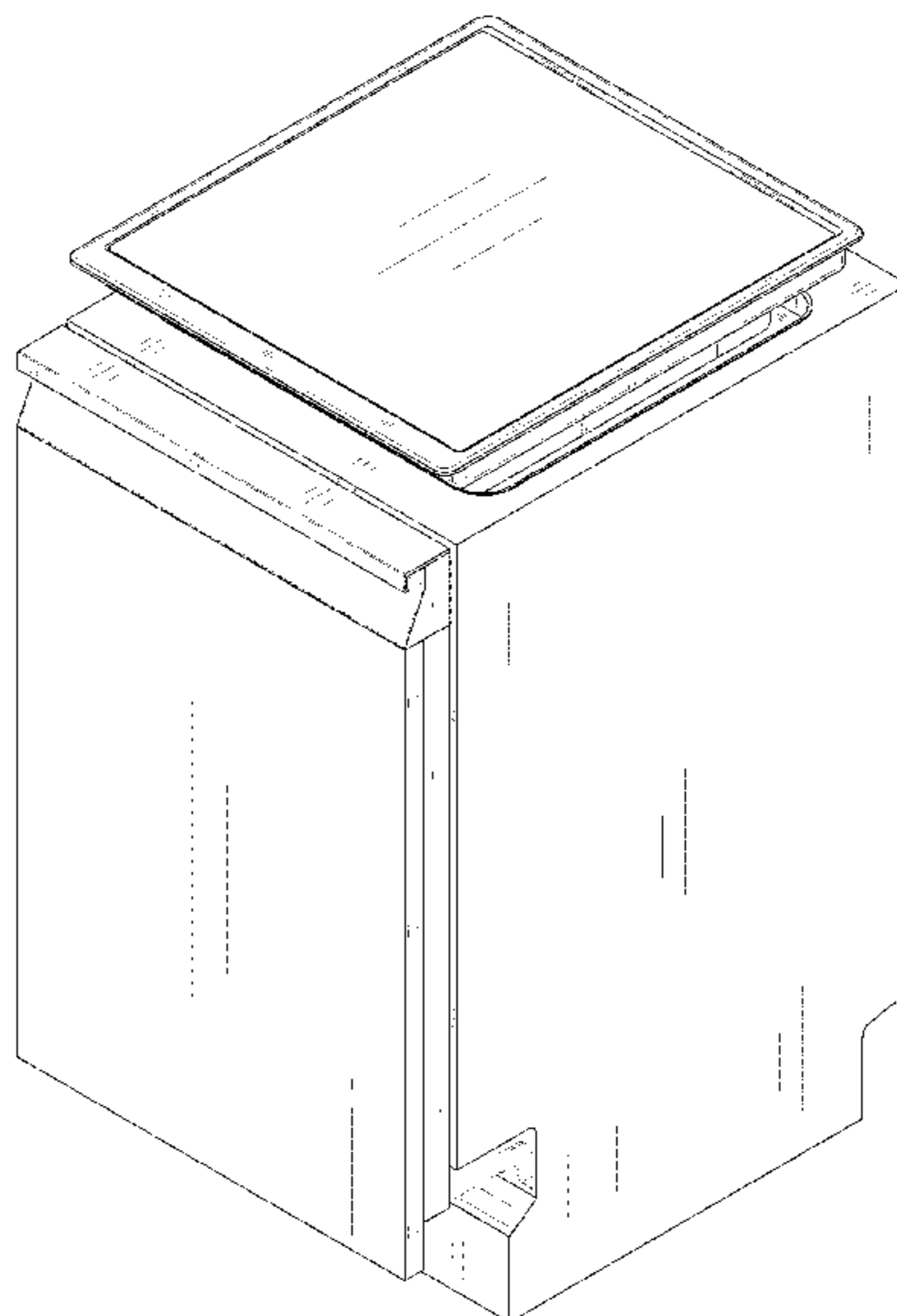


FIG. 1

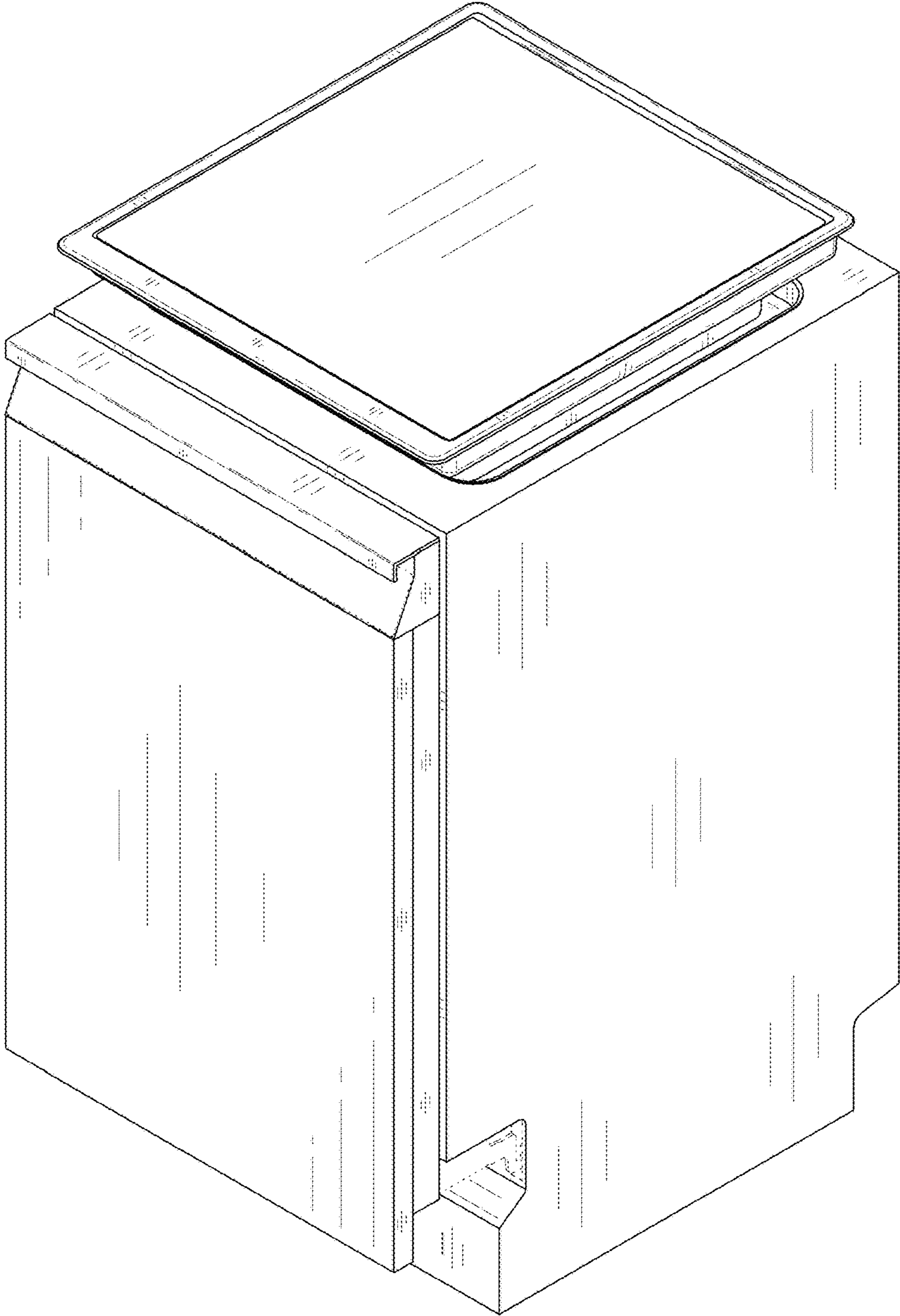


FIG. 2



FIG. 3

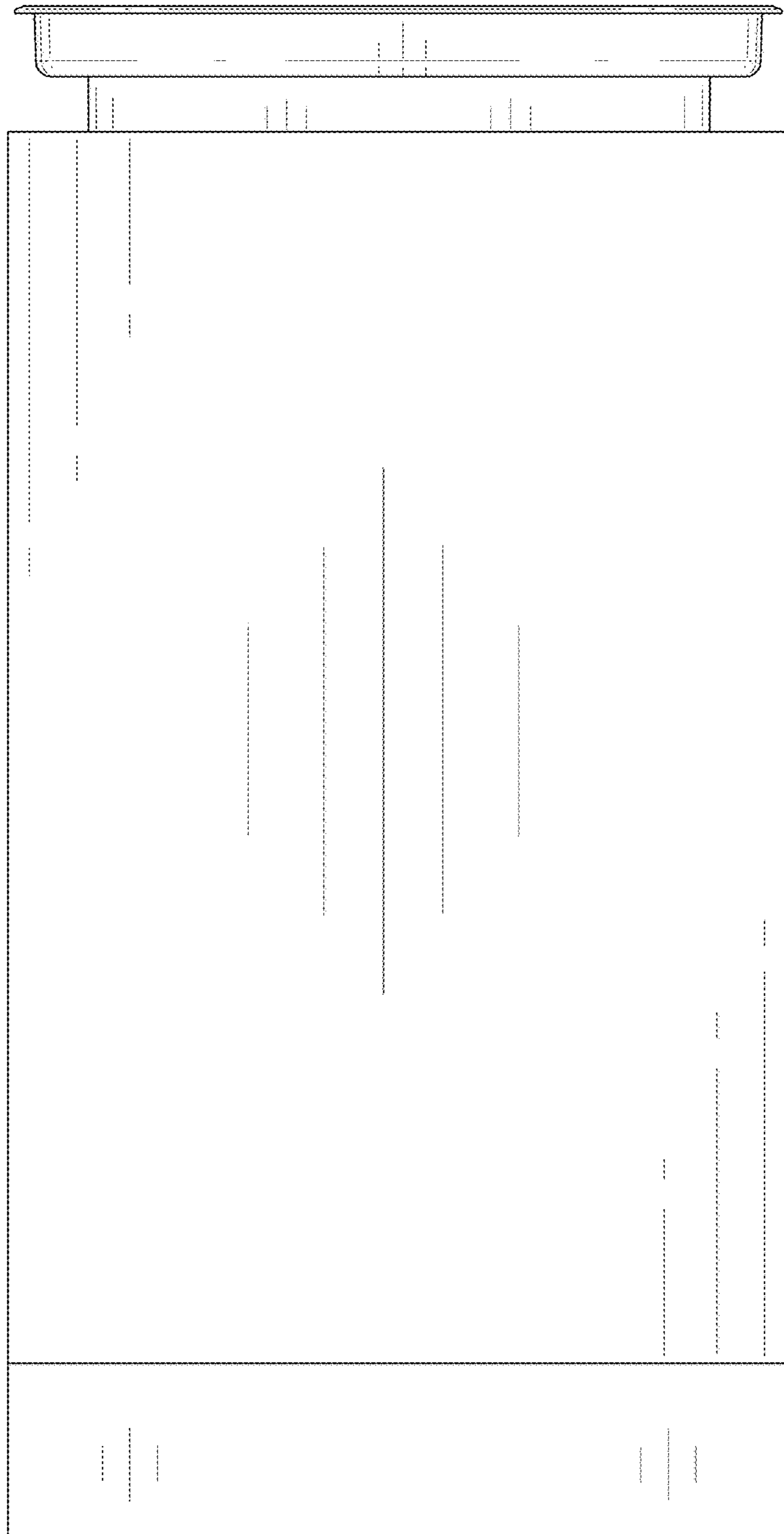


FIG. 4

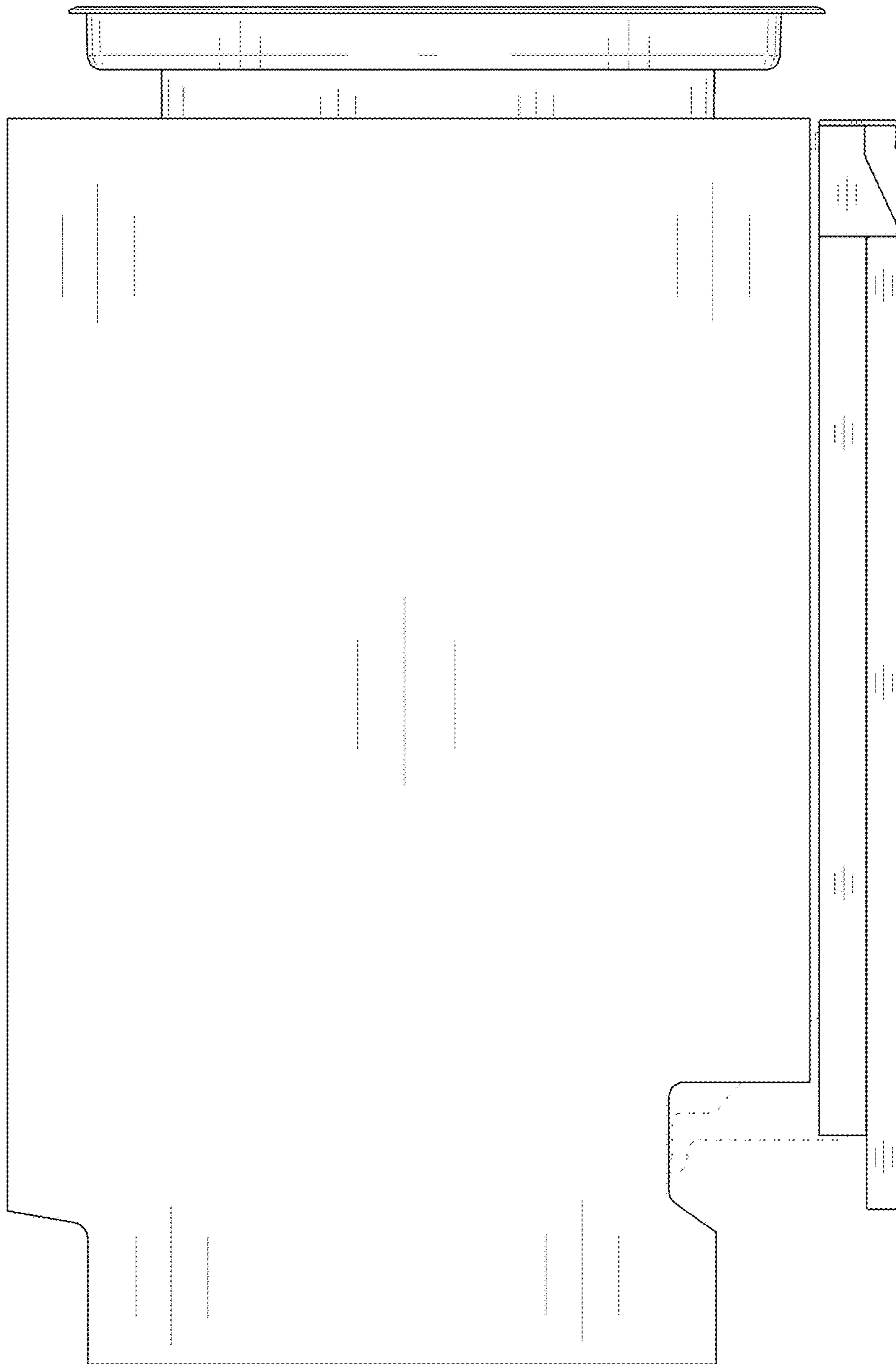


FIG. 5

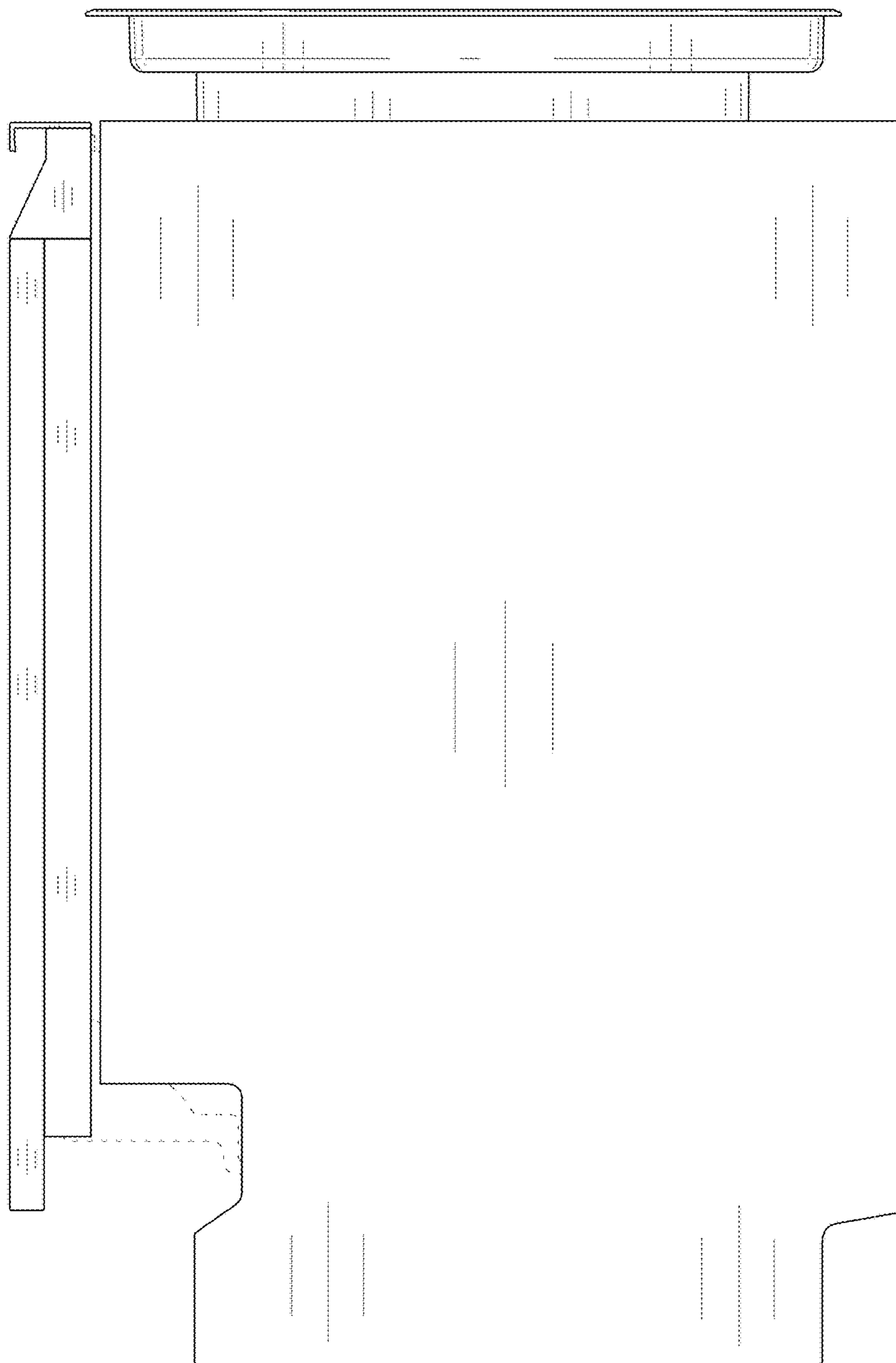


FIG. 6

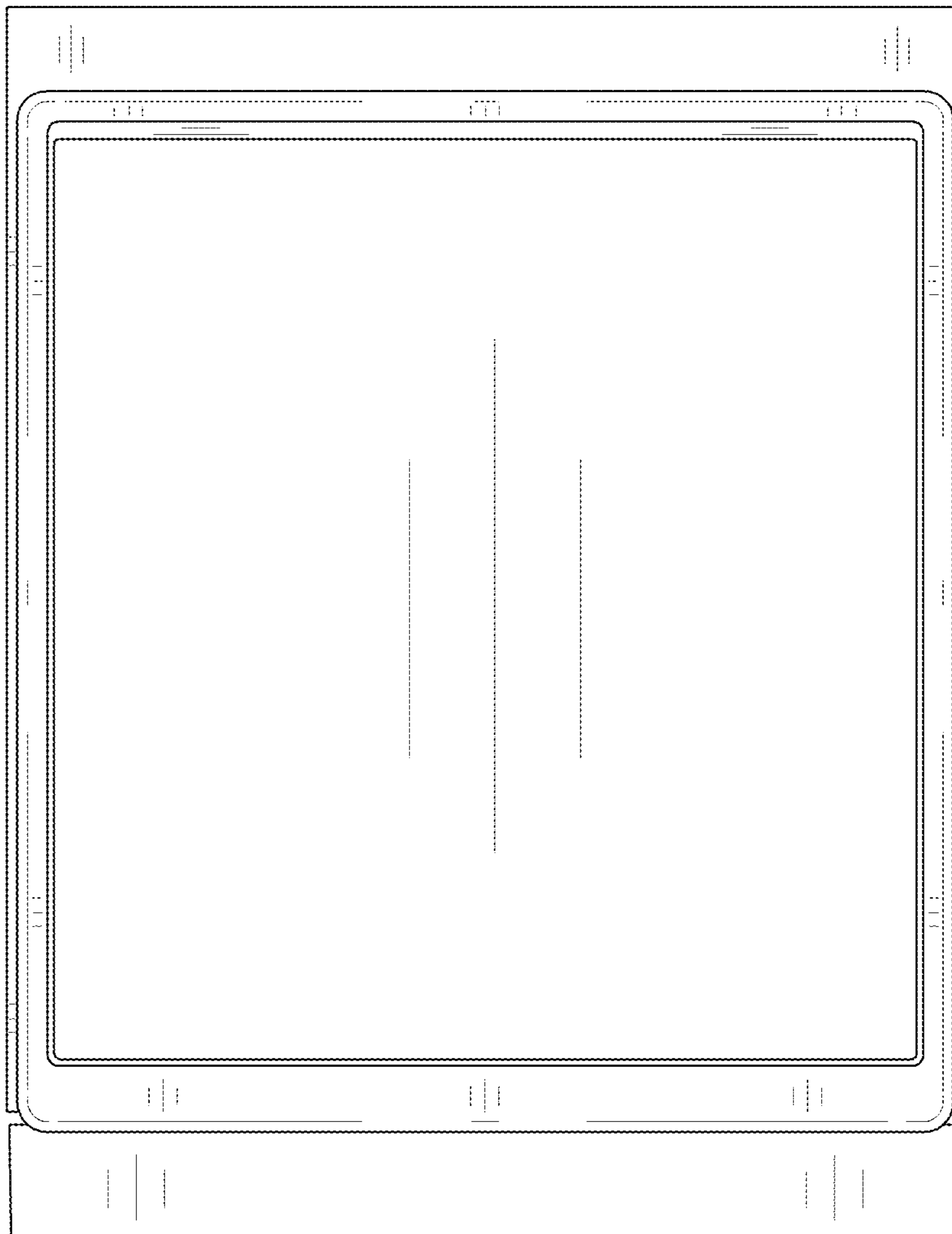


FIG. 7

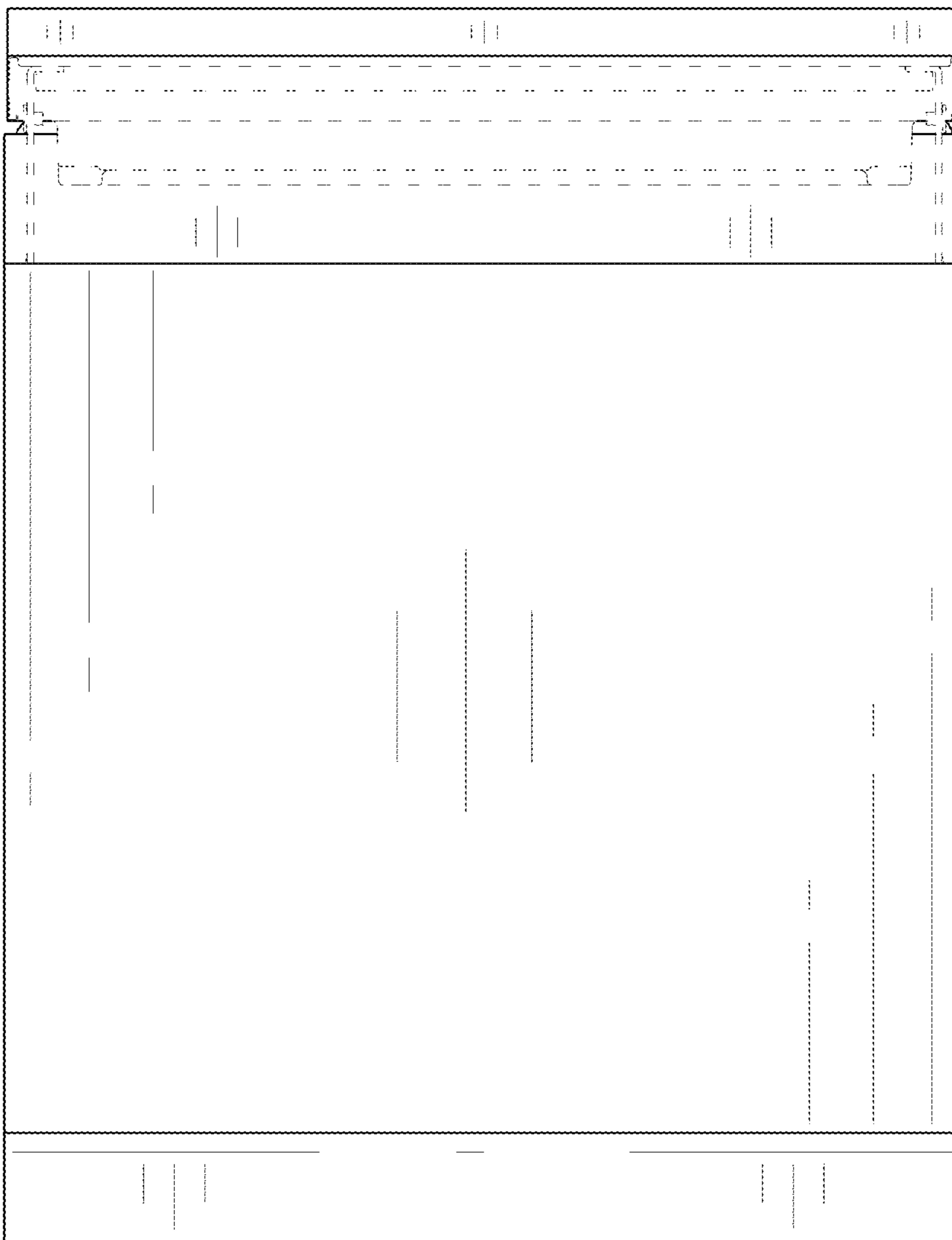




FIG. 8

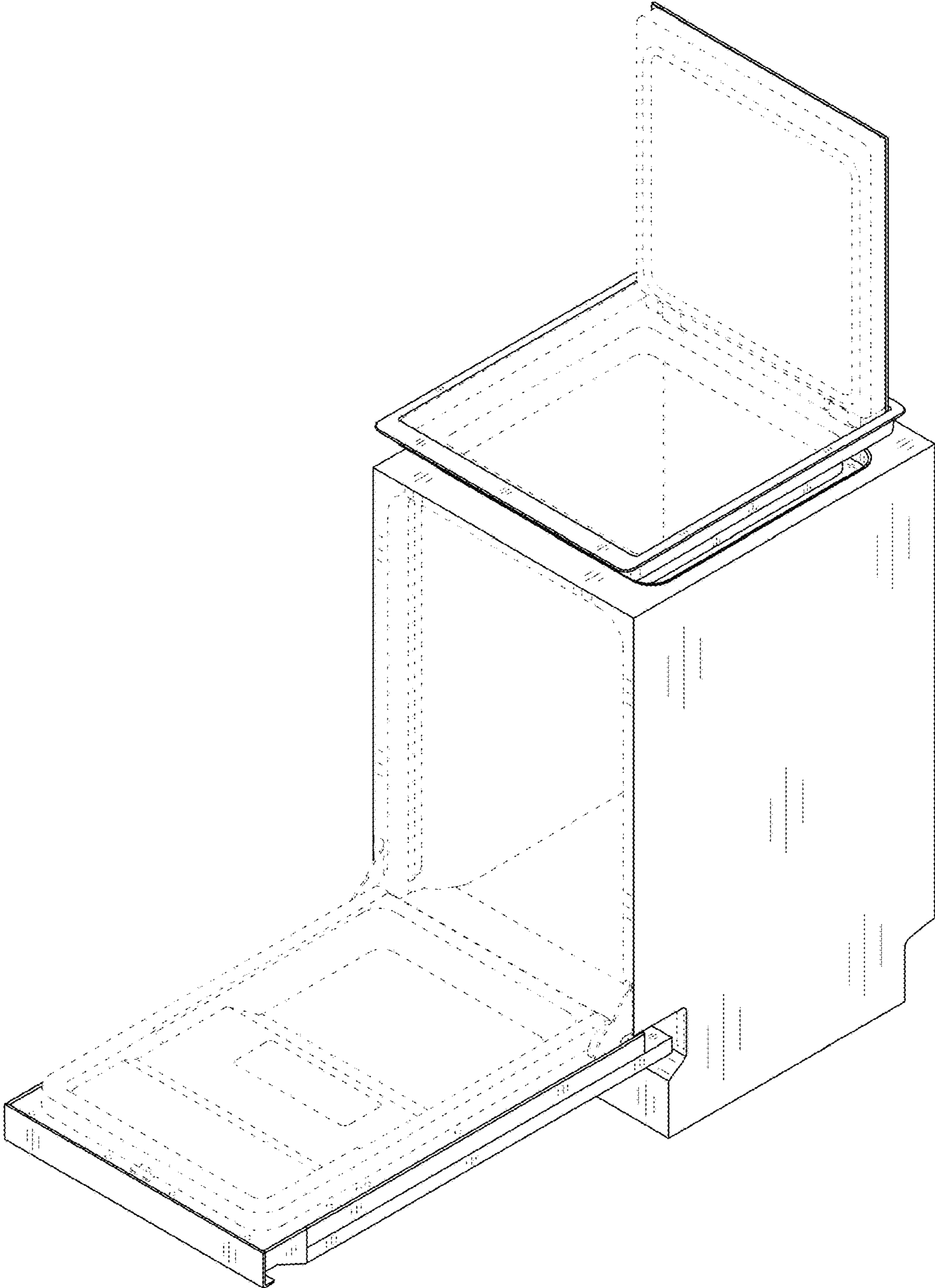


FIG. 9

