



US00D864503S

(12) **United States Design Patent** (10) **Patent No.:** **US D864,503 S**
Helm et al. (45) **Date of Patent:** **** Oct. 22, 2019**

(54) **MILKING MACHINE**
(71) Applicant: **GEA Farm Technologies GmbH**,
Bönen (DE)
(72) Inventors: **Thorsten Helm**, Sassenberg (DE);
Daniel Fichte, Munster (DE)
(73) Assignee: **GEA Farm Technologies GmbH**,
Bönen (DE)

D717,972 S 11/2014 Collins et al.
D756,137 S 5/2016 Abelmann et al.
D758,098 S 6/2016 Pham
D793,124 S 8/2017 Patel et al.
D818,215 S * 5/2018 Helm D30/199
2002/0033137 A1* 3/2002 van der Lely A01J 5/003
119/14.1
2007/0110517 A1 5/2007 Wasserstrom et al.
2015/0020738 A1* 1/2015 Krone A01J 5/0175
119/14.04
2017/0086419 A1* 3/2017 Krone A01K 1/12
(Continued)

(**) Term: **15 Years**
(21) Appl. No.: **29/646,079**
(22) Filed: **May 1, 2018**

Related U.S. Application Data

(62) Division of application No. 29/494,254, filed on Jun. 18, 2014, now Pat. No. Des. 818,215.

Foreign Application Priority Data

Dec. 19, 2013 (DE) 002373522-0001
Dec. 19, 2013 (DE) 002373522-0002

(51) **LOC (12) Cl.** **30-99**
(52) **U.S. Cl.**
USPC **D30/199**

(58) **Field of Classification Search**
USPC D30/199; 119/14.01-14.55; 702/182
CPC .. A01J 1/00-7/005; A01K 1/12; A01K 1/123;
A01K 1/126
See application file for complete search history.

References Cited

U.S. PATENT DOCUMENTS

4,954,009 A 9/1990 Kellison
D343,369 S 1/1994 Sprague
5,553,567 A * 9/1996 Wilson A01J 5/10
119/14.28
D532,209 S 11/2006 Rodis

OTHER PUBLICATIONS

SRI SAI Argo Implements Cow Milking Machine, <https://www.tradeindia.com/fp1941896/Cow-Milking-Machine.html>, Sep. 2016, 1 page.

(Continued)

Primary Examiner — Susan Moon Lee

(74) *Attorney, Agent, or Firm* — Smith Law Office; Jeffrey W. Smith

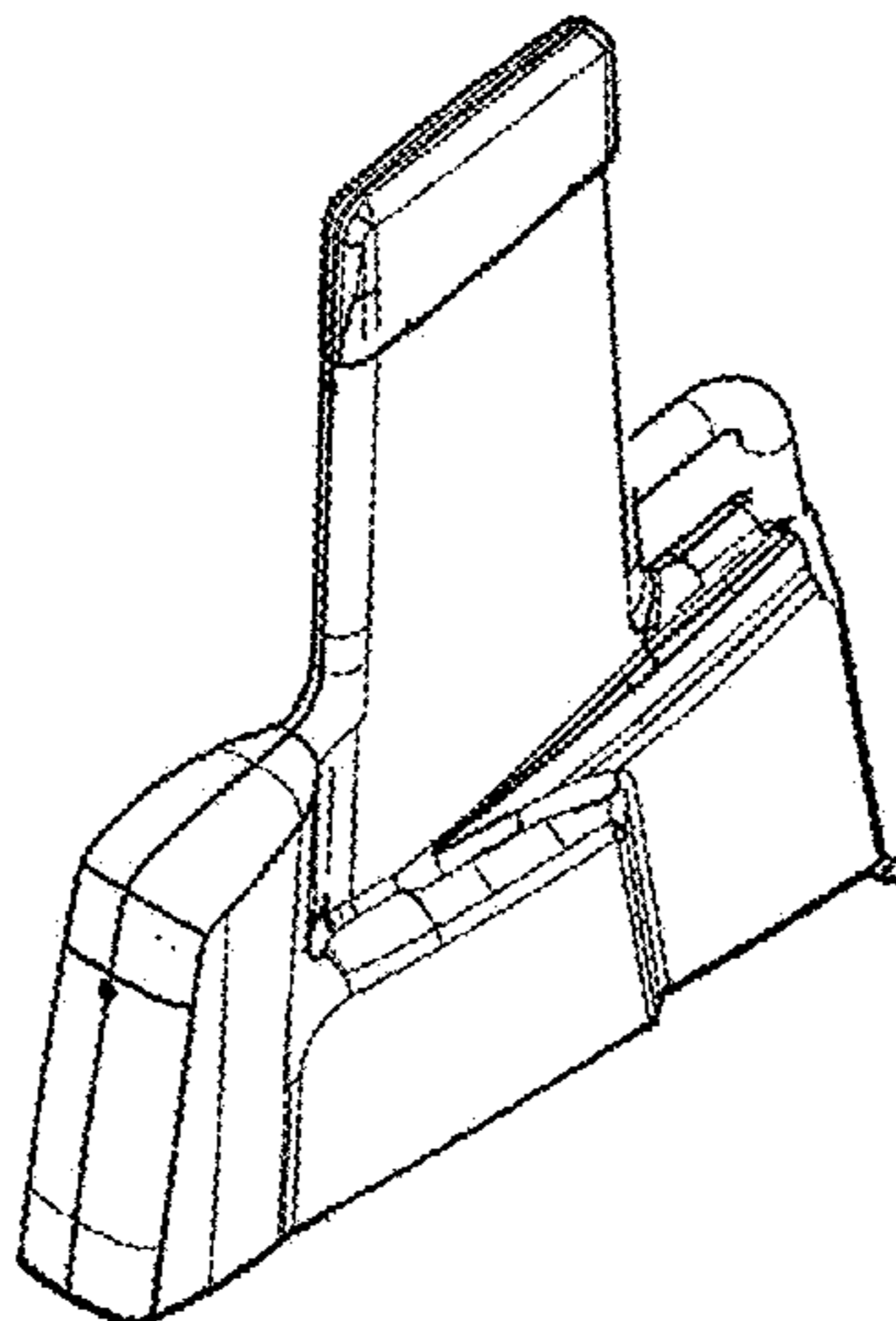
(57) **CLAIM**

We claim the ornamental design for a milking machine, as shown and described.

DESCRIPTION

FIG. 1 is a rear elevation view of a milking machine in accordance with our new design;
FIG. 2 is a bottom plan view thereof;
FIG. 3 is an upper left front perspective view thereof; and,
FIG. 4 is an upper left rear perspective view thereof.
The broken line showing of a milker unit throughout the drawing figures depicts an exemplary component that forms no part of the claimed design but is included for illustrative purposes.

1 Claim, 4 Drawing Sheets



(56)

References Cited

U.S. PATENT DOCUMENTS

2019/0133067 A1* 5/2019 Stuessel A01J 5/044

OTHER PUBLICATIONS

Sumangalam Dairy Farm Solutions (India) Three Bucket Fixed Type Milking Machine, <http://www.dfs-india-.com/three-bucket-fixed-type-milking-machine/>, 2018, 1 page.

* cited by examiner

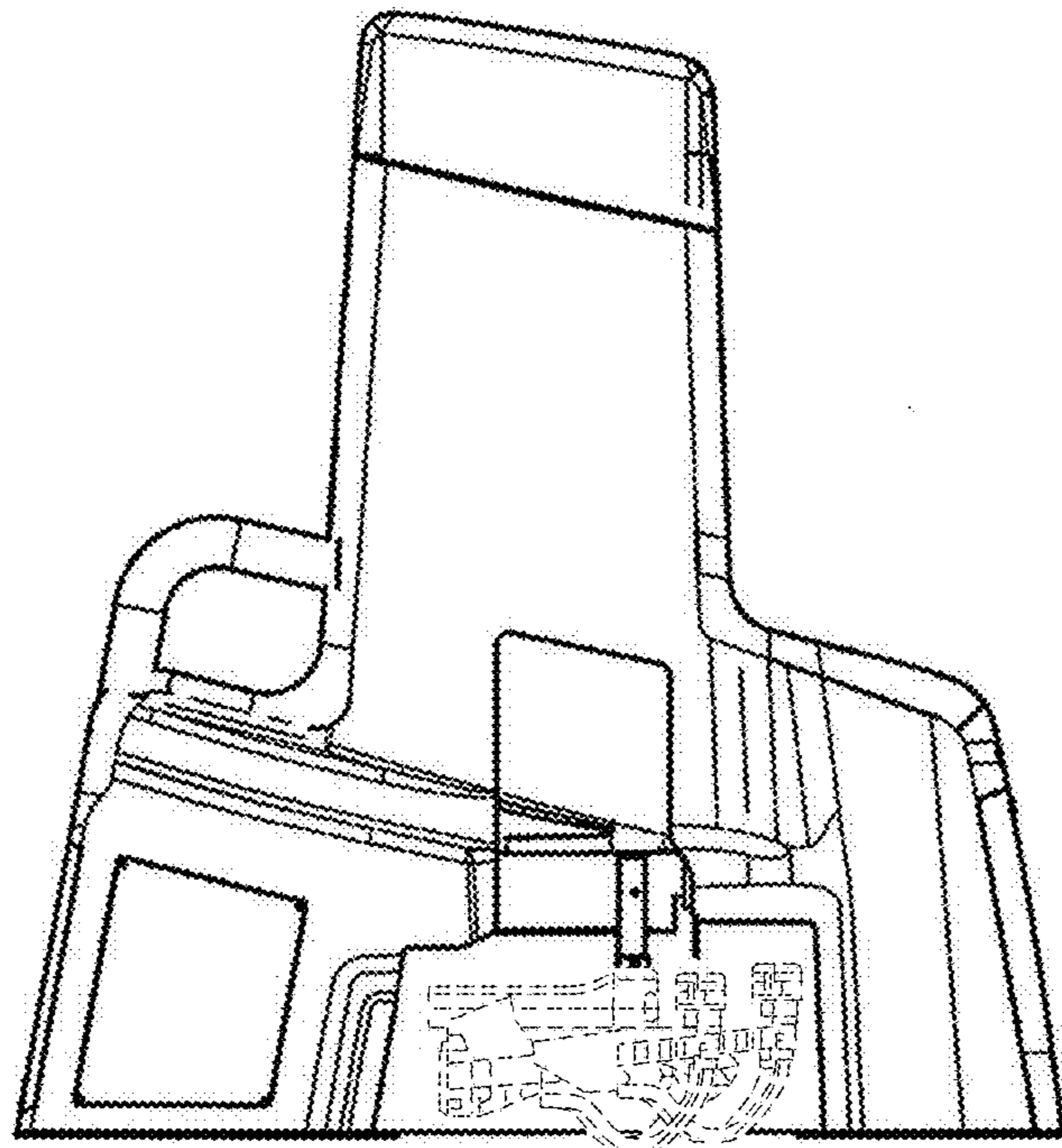


FIG. 1

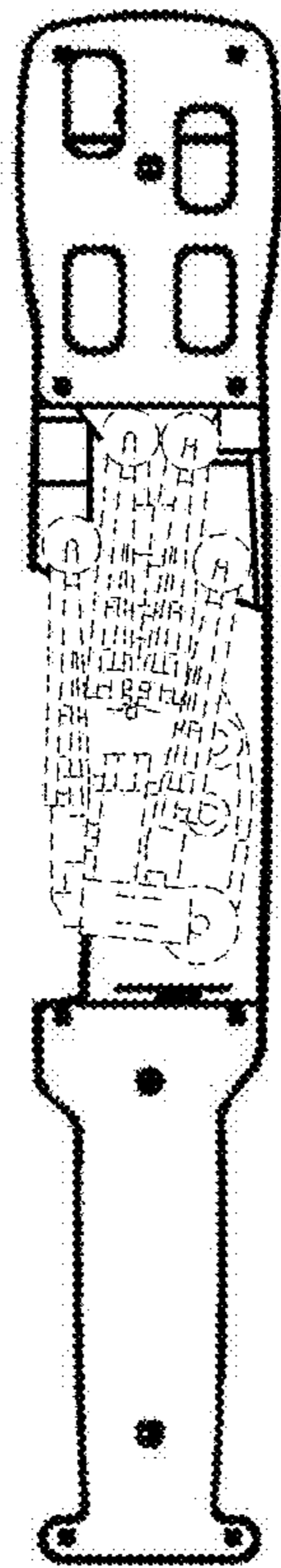


FIG. 2

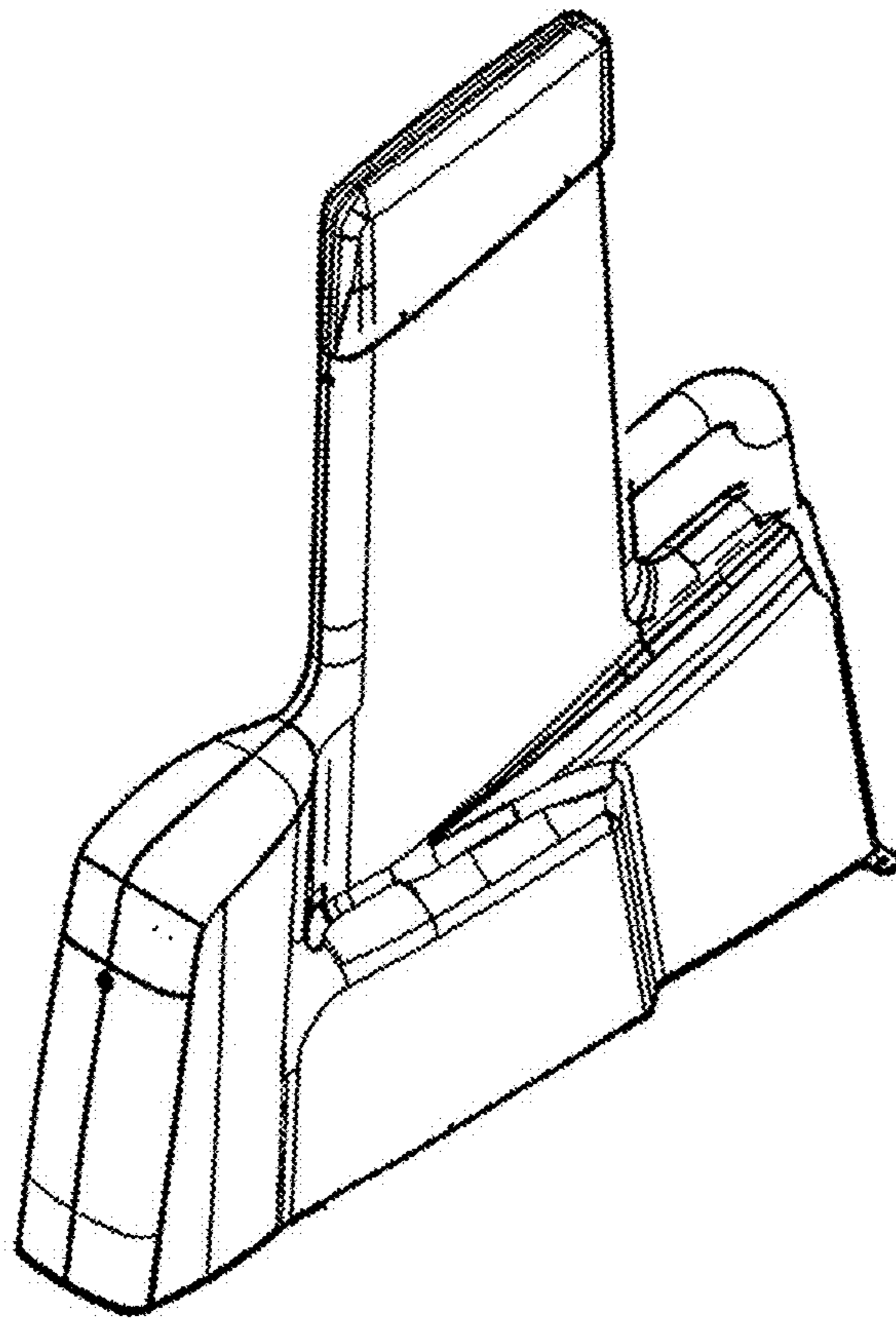


FIG. 3

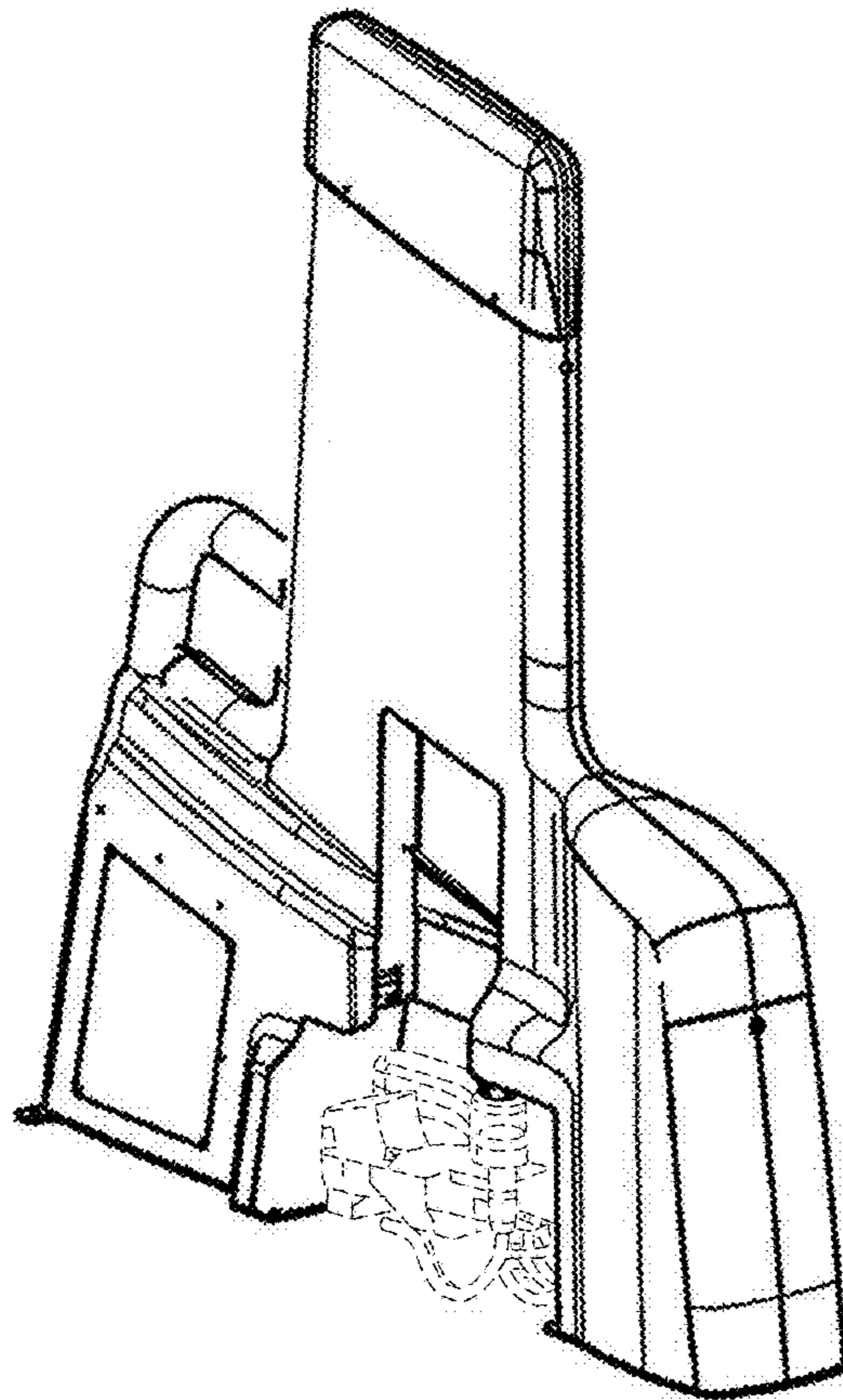


FIG. 4