



US00D864500S

(12) **United States Design Patent** (10) **Patent No.:** **US D864,500 S**
Benson (45) **Date of Patent:** **** Oct. 22, 2019**

(54) **ANIMAL TOY**

(71) Applicant: **Starmark Pet Products, Inc.**, Hutto, TX (US)

(72) Inventor: **Keith Benson**, Hutto, TX (US)

(73) Assignee: **STARMARK PET PRODUCTS, INC.**, Hutto, TX (US)

(**) Term: **15 Years**

(21) Appl. No.: **29/649,827**

(22) Filed: **Jun. 1, 2018**

Related U.S. Application Data

(63) Continuation of application No. 13/058,309, filed as application No. PCT/US2009/049054 on Jun. 29, 2009, now abandoned.

(51) **LOC (12) Cl.** **30-99**

(52) **U.S. Cl.**
USPC **D30/160**

(58) **Field of Classification Search**
USPC D21/398, 400, 402, 412, 415, 426, 436, D21/439, 440, 441, 443, 455, 460-462, D21/466-468, 479, 495, 563, 656, 712, D21/713, 788, 799.1, 470, 681, 386, 484, D21/707, 408, 437, 673, 678, 679, 682; D24/211, 212, 214, 215, 193-195; D30/160, 112, 119; D1/120, 125-127
CPC A63H 5/00; A63H 33/26; A63H 33/18; A63H 29/22; A63H 29/24; A63H 2200/00; A63H 11/00; A63H 13/00; A63H 18/02; A63H 18/14; A63H 18/16; A63H 29/00; A63H 33/009; A63H 33/22; A63H 33/3055; A63H 3/003; A63H 3/006; A63H 3/008; A63H 3/24; A63H 3/28; A63H 3/31; A63H 3/36; A63H 9/00; A63B 59/20; A63B 69/406; A63B 47/04; A63B 2220/51; A63B 2220/53; A63B 2220/56; A63B 2220/805;

(Continued)

(56) **References Cited**

U.S. PATENT DOCUMENTS

D658,825 S * 5/2012 Wolfe, Jr. D30/160
8,225,747 B2 * 7/2012 Markham A01K 5/0114
119/51.01

(Continued)

FOREIGN PATENT DOCUMENTS

WO WO-2010039311 A1 * 4/2010

OTHER PUBLICATIONS

Cleaning the Treat Dispensing Bob-A-Lot, posted at youtube.com, earliest date posted on Apr. 18, 2014, [online], acquired on Feb. 27, 2019. Available from Internet, <URL:https://www.youtube.com/watch?v=O4PZ1I9S1QA&feature=youtu.be> (Year: 2014).*

(Continued)

Primary Examiner — Sheryl Lane

Assistant Examiner — Aula Soroush

(74) *Attorney, Agent, or Firm* — Brian F. Russell; Russell Ng PLLC

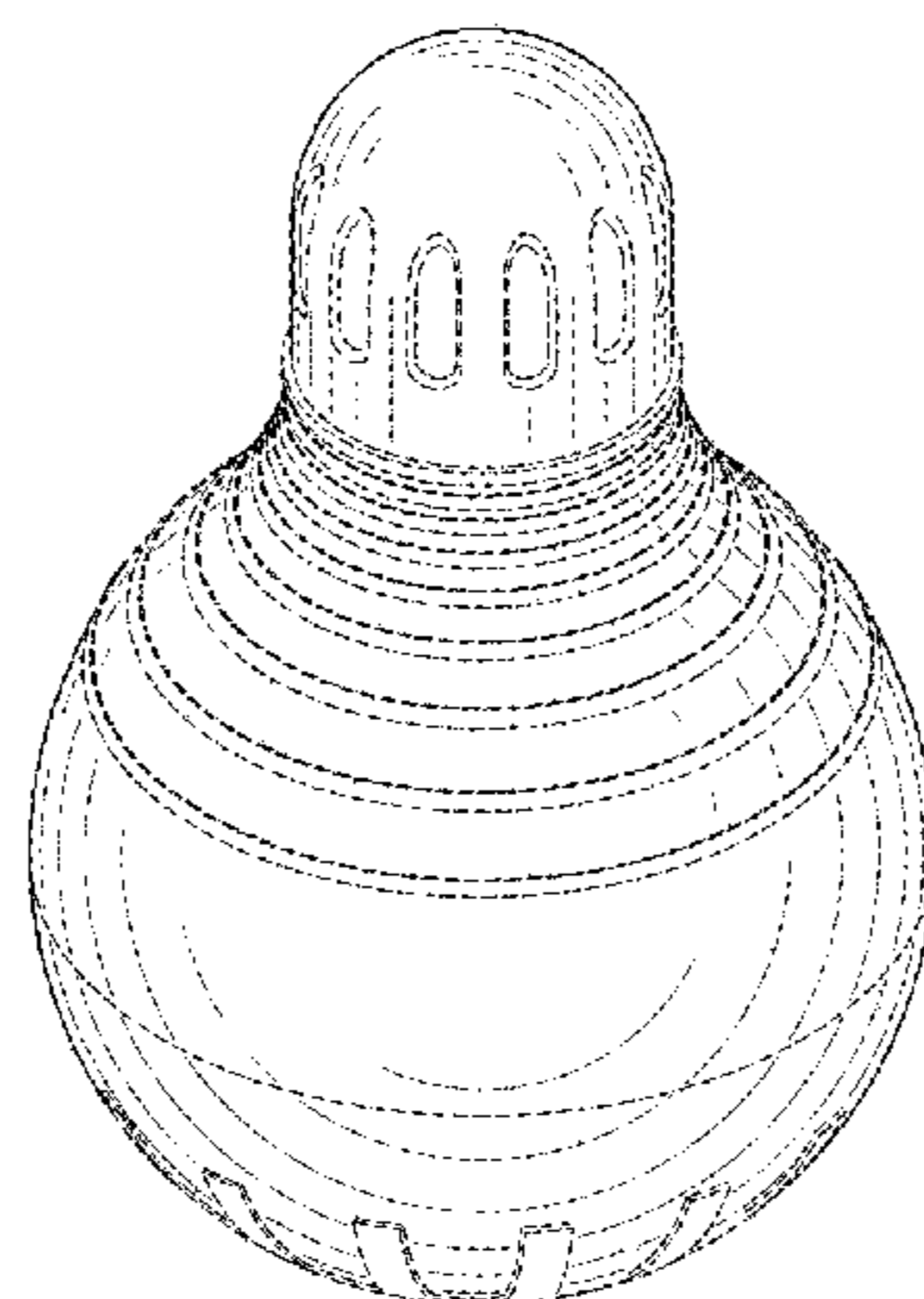
(57) **CLAIM**

The ornamental design for an animal toy, as shown and described.

DESCRIPTION

FIG. 1 is a perspective view of the animal toy.
FIG. 2 is a front elevation view of the animal toy.
FIG. 3 is a back elevation view of the animal toy.
FIG. 4 is a right side elevation view of the animal toy.
FIG. 5 is a left side elevation view of the animal toy.
FIG. 6 is a top plan view of the animal toy; and,
FIG. 7 is a bottom plan view of the animal toy.
The broken lines are illustrative of the bounds of the claim and form no part of the claimed design.

1 Claim, 6 Drawing Sheets



(58) **Field of Classification Search**

CPC A63B 2071/0625; A63B 2071/063; A63B
2220/17; A63B 2220/18; A63B 2220/40;
A63B 2220/803; A63B 2220/833; A63B
43/004; A63B 43/06; A63B 71/0622;
A63B 2071/0602; A63B 21/0055; A63B
2207/02; A63B 2225/54; A63B 69/0053;
A63B 2047/043

See application file for complete search history.

(56) **References Cited**

U.S. PATENT DOCUMENTS

D762,928	S *	8/2016	Lai	D30/160
D771,326	S *	11/2016	Lai	D30/160
D774,710	S *	12/2016	Stiles	D30/160
D827,219	S *	8/2018	Yan	D30/160
10,252,116	B2 *	4/2019	Marton	A61H 23/02
2008/0121190	A1 *	5/2008	Moulton	A01K 5/0114 119/710
2011/0139815	A1 *	6/2011	Benson	A01K 5/0114 119/51.01

OTHER PUBLICATIONS

Treat Dispensing Bob-a-lot, posted at starmarkacademy.com, earliest date posted on May 15, 2011, [online], acquired on Feb. 27, 2019. Available from Internet, <URL:https://web.archive.org/web/20110515202323/http://starmarkacademy.com/products/bob-a-lot/> (Year: 2011).*

* cited by examiner

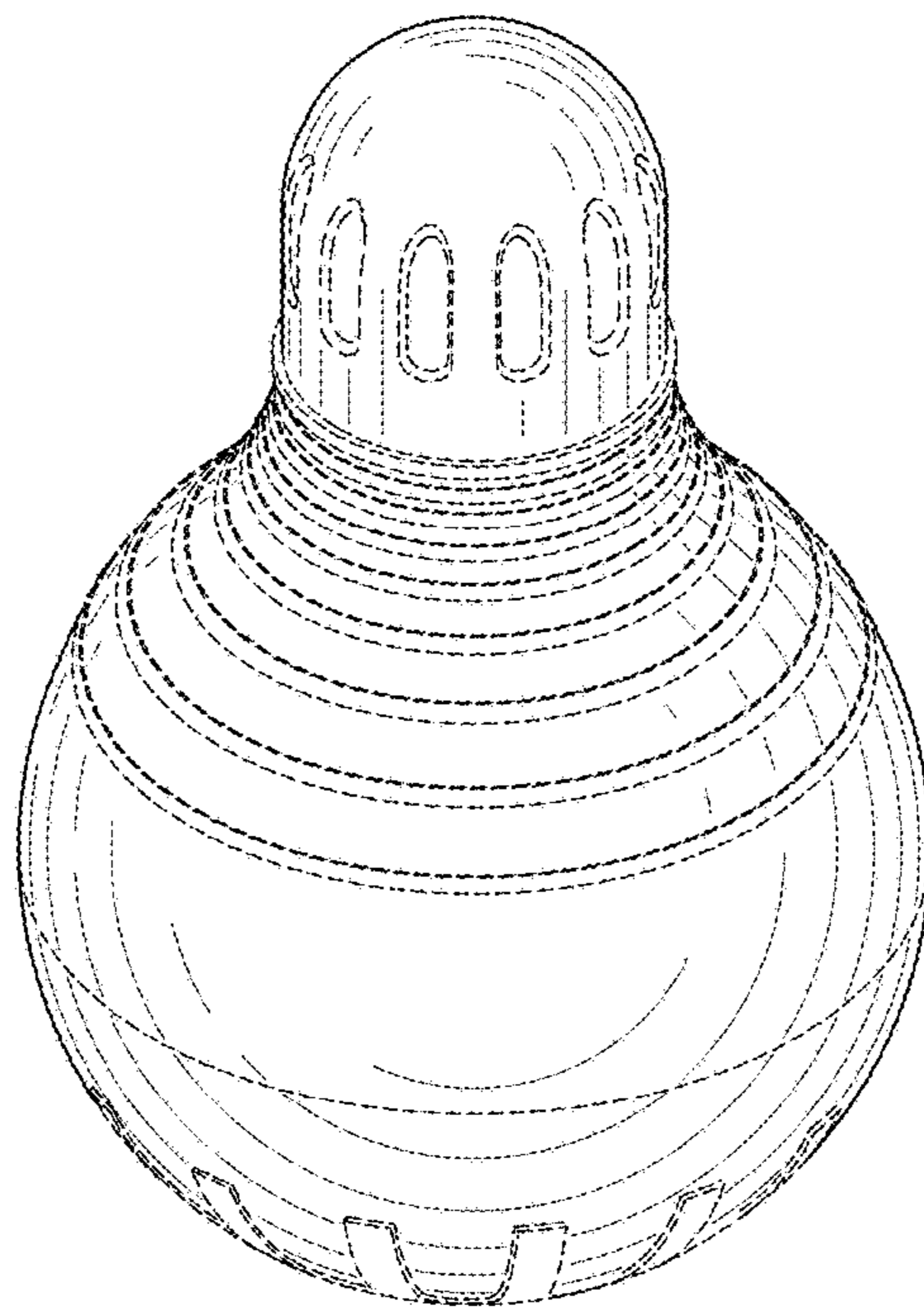


FIG. 1

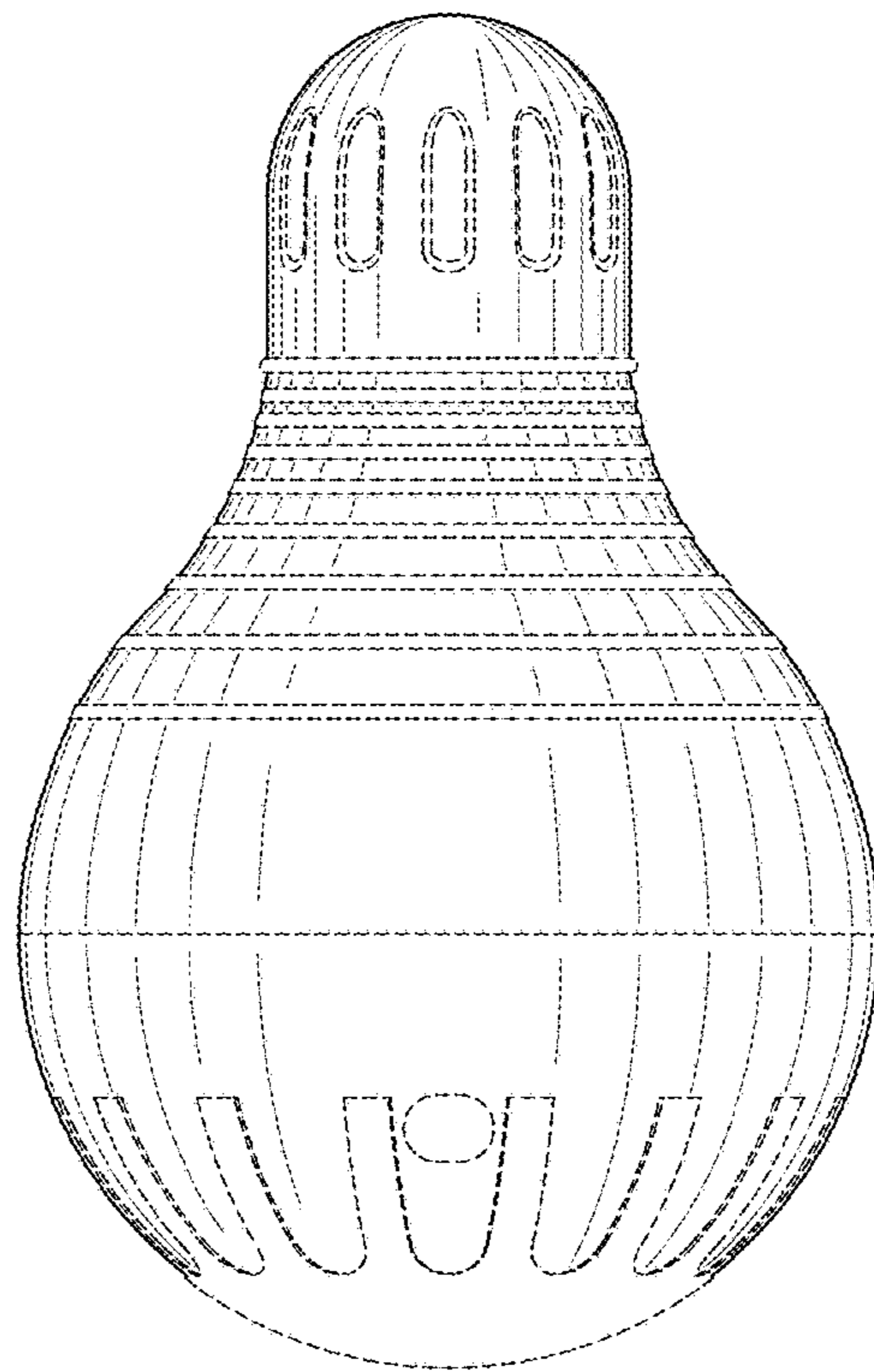


FIG. 2

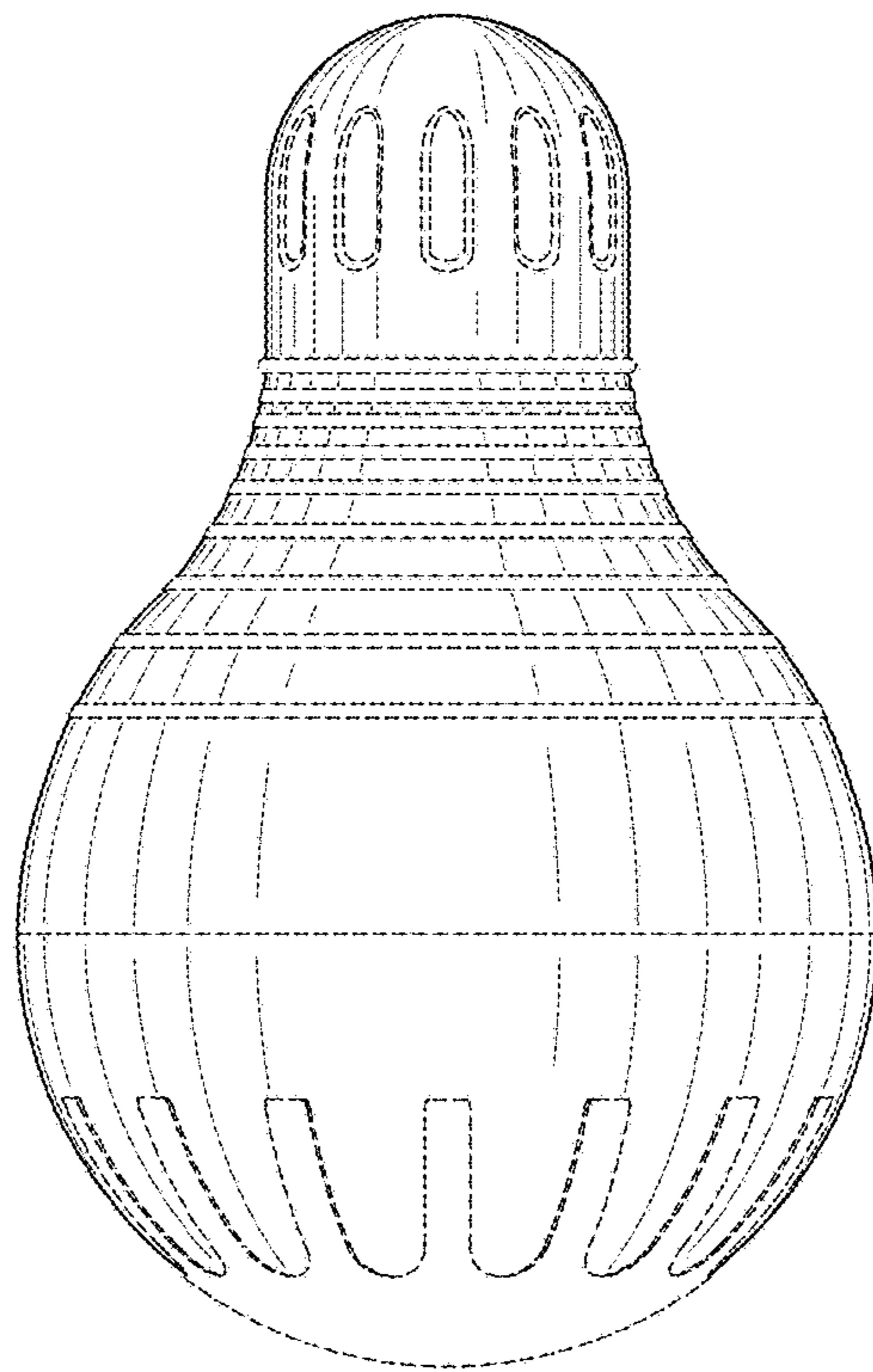


FIG. 3

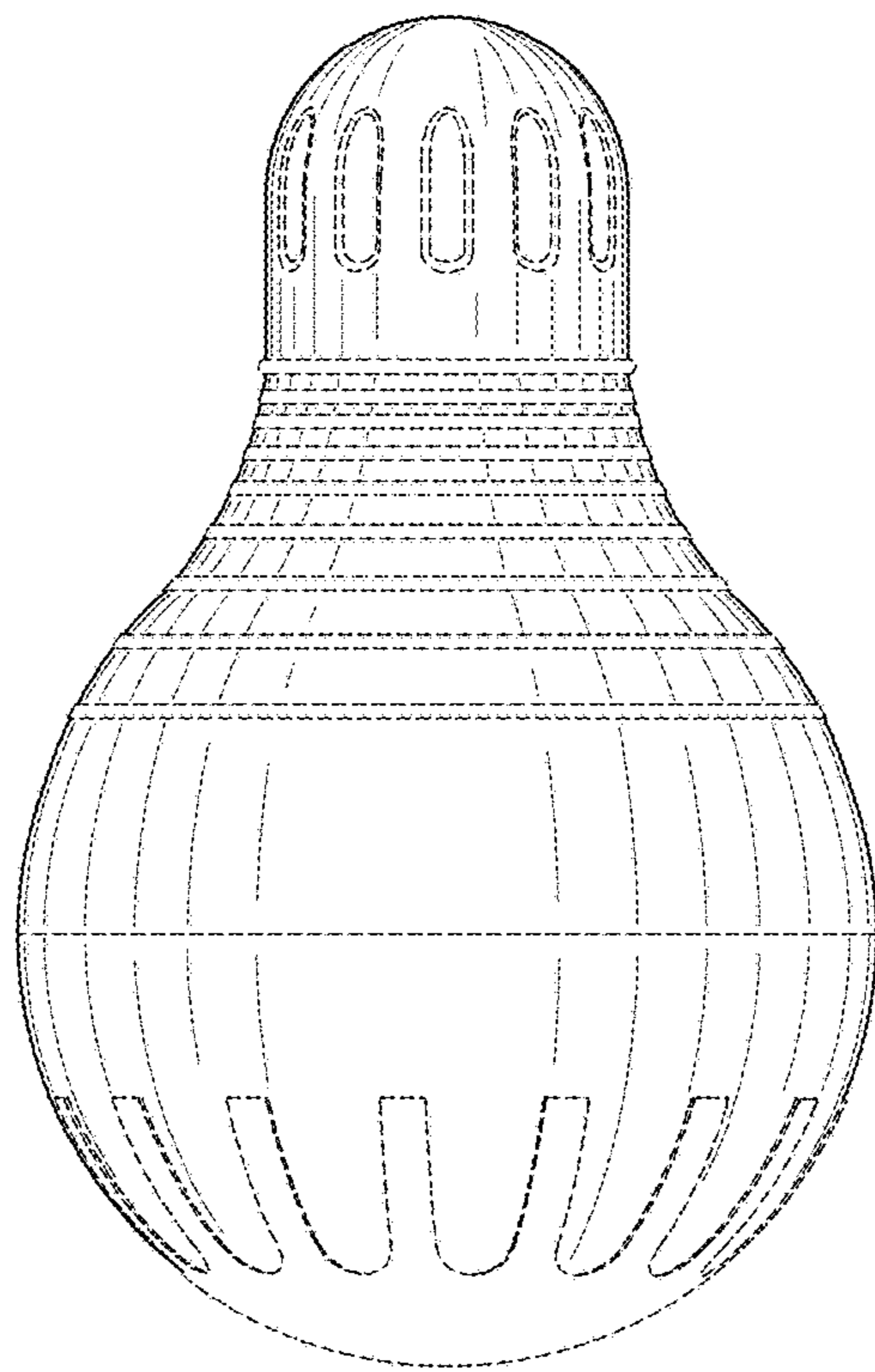


FIG. 4

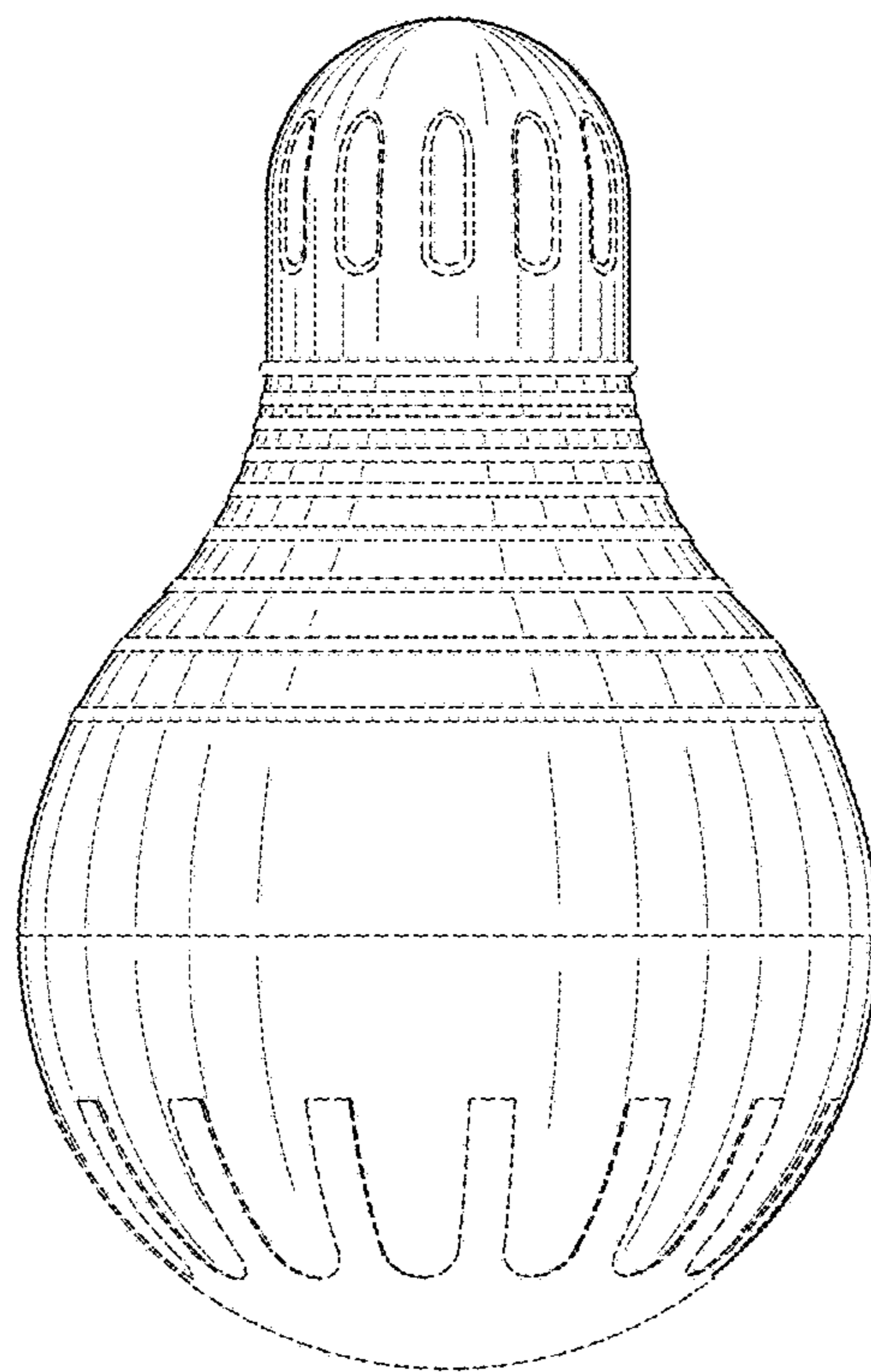


FIG. 5

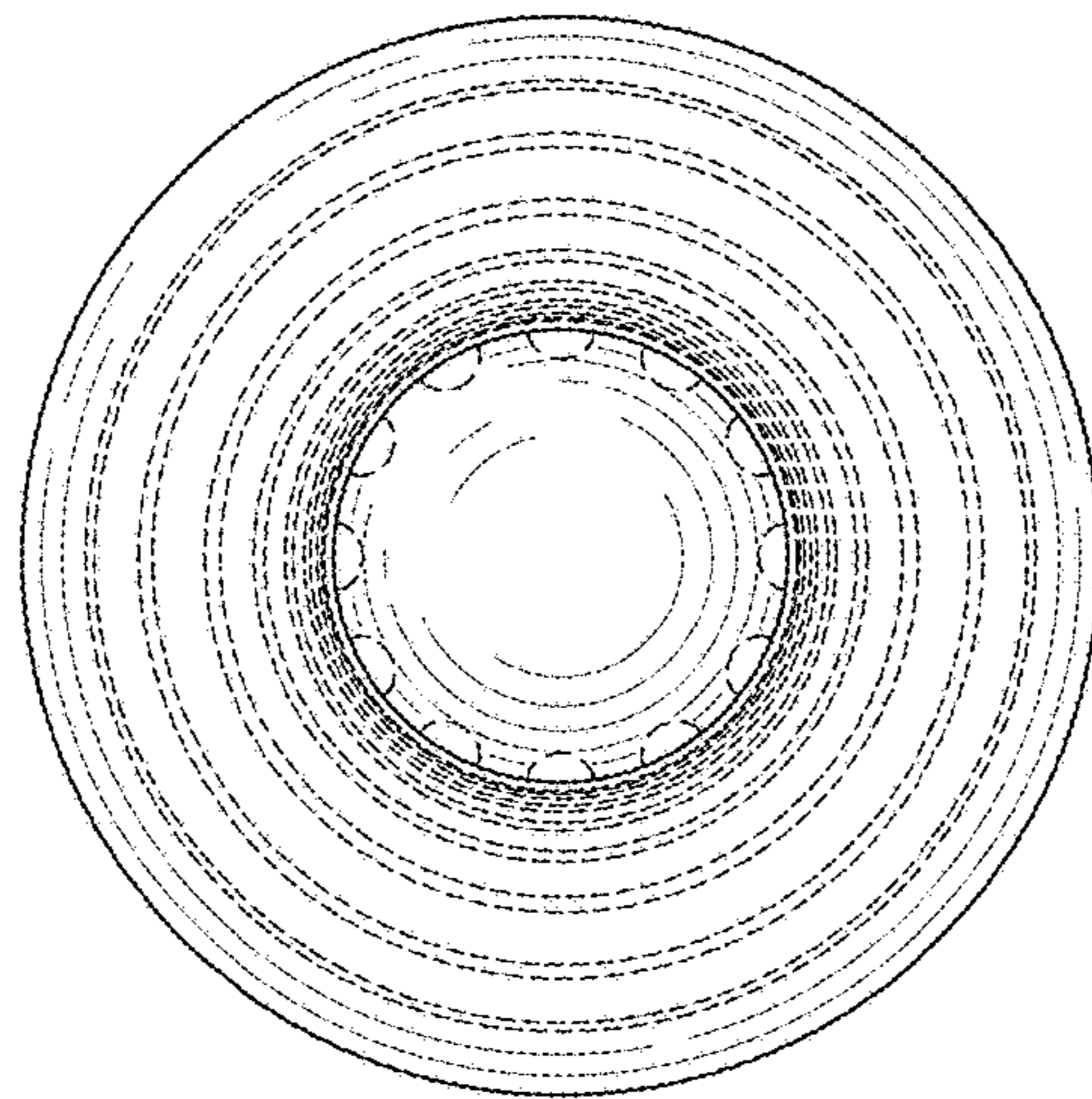


FIG. 6

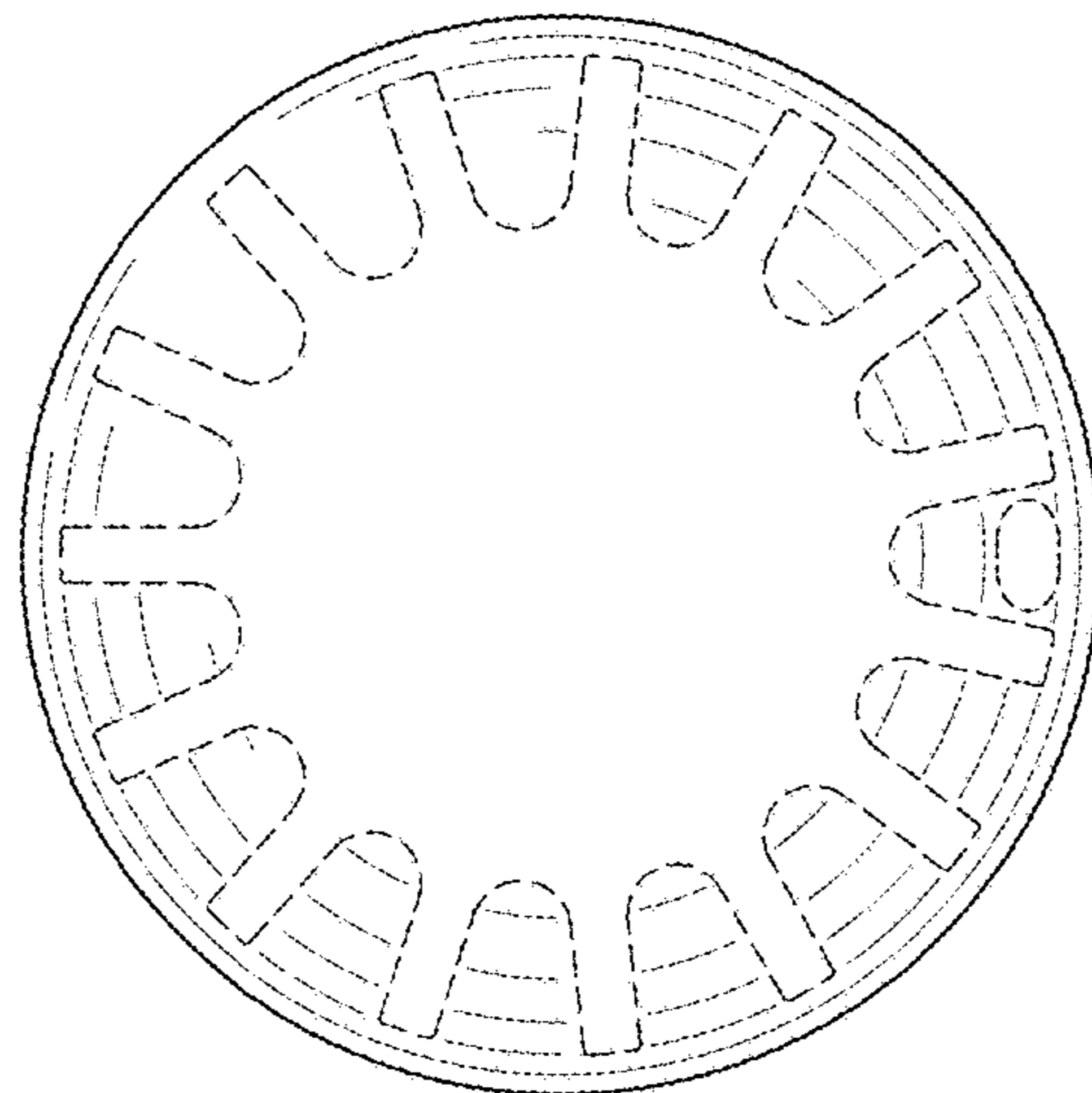


FIG. 7