

US00D864495S

(12) **United States Design Patent** (10) **Patent No.:** **US D864,495 S**
Katav (45) **Date of Patent:** **** Oct. 22, 2019**

(54) **DOGS AND CATS EATING ACCESSORY**

(56) **References Cited**

(71) Applicant: **Gal Katav**, Neshet (IL)

U.S. PATENT DOCUMENTS

(72) Inventor: **Gal Katav**, Neshet (IL)

| | | | | | |
|-----------|-----|---------|------------|-------|-------------------------|
| 797,044 | A * | 8/1905 | Burl | | B65G 51/06 406/186 |
| 806,255 | A * | 12/1905 | Hughes | | A63H 23/08 273/153 R |
| 1,137,642 | A * | 4/1915 | Lingner | | A24F 27/00 206/121 |
| 1,553,869 | A * | 9/1925 | MacLaren | | B65G 51/06 40/662 |
| 1,585,289 | A * | 5/1926 | Holdsworth | | G09F 3/00 40/299.01 |
| 1,613,471 | A * | 1/1927 | MacLaren | | B65G 51/06 406/186 |
| 1,638,047 | A * | 8/1927 | MacLaren | | B65G 51/06 406/187 |
| 1,826,833 | A * | 10/1931 | Shannehan | | B65G 51/06 406/186 |
| D92,151 | S * | 5/1934 | Noedham | | D18/35 |
| RE19,593 | E * | 5/1935 | St-Laurent | | E04H 13/003 40/660 |
| 2,000,400 | A * | 5/1935 | MacLaren | | B65G 51/06 406/186 |

(**) Term: **15 Years**

(21) Appl. No.: **29/617,822**

(22) Filed: **Sep. 15, 2017**

(30) **Foreign Application Priority Data**

Mar. 15, 2017 (IL) 60146

(51) **LOC (12) Cl.** **30-99**

(52) **U.S. Cl.**
USPC **D30/121; D30/160**

(58) **Field of Classification Search**

USPC D30/121, 160, 199; 119/707-711, 51.01, 119/51.11, 51.13, 51.15; D21/713, 707, D21/505, 398, 386, 498, 479, 499, 311; D14/233; D19/1, 61; 434/214, 278; 211/1; 273/155, 457, 120 R, 459; 342/8; 428/66.5, 9; 446/199, 92, 85, 168, 227, 446/197, 156, 166, 153, 159, 267; 473/569; D3/271.1; D9/430, 651; D18/35; 406/188, 186, 190, 184, 189, 406/187; 43/44.99, 55; 40/306, 661, 660

CPC A01K 5/0114; A01K 5/02; A01K 5/0233; A01K 5/0241; A01K 5/025; A01K 5/0275; A01K 5/0283; A01K 5/0291; A01K 15/00; A01K 15/02; A01K 15/025; A01K 15/026; A01K 69/06; B65G 51/06; B65D 59/00; B65D 59/02; B65D 59/04; B65D 59/06; B65D 37/00; B65D 25/00; A63H 29/08; A63H 33/006

See application file for complete search history.

(Continued)

Primary Examiner — Susan Moon Lee
(74) *Attorney, Agent, or Firm* — William Dippert; Laurence Greenberg; Werner Stemer

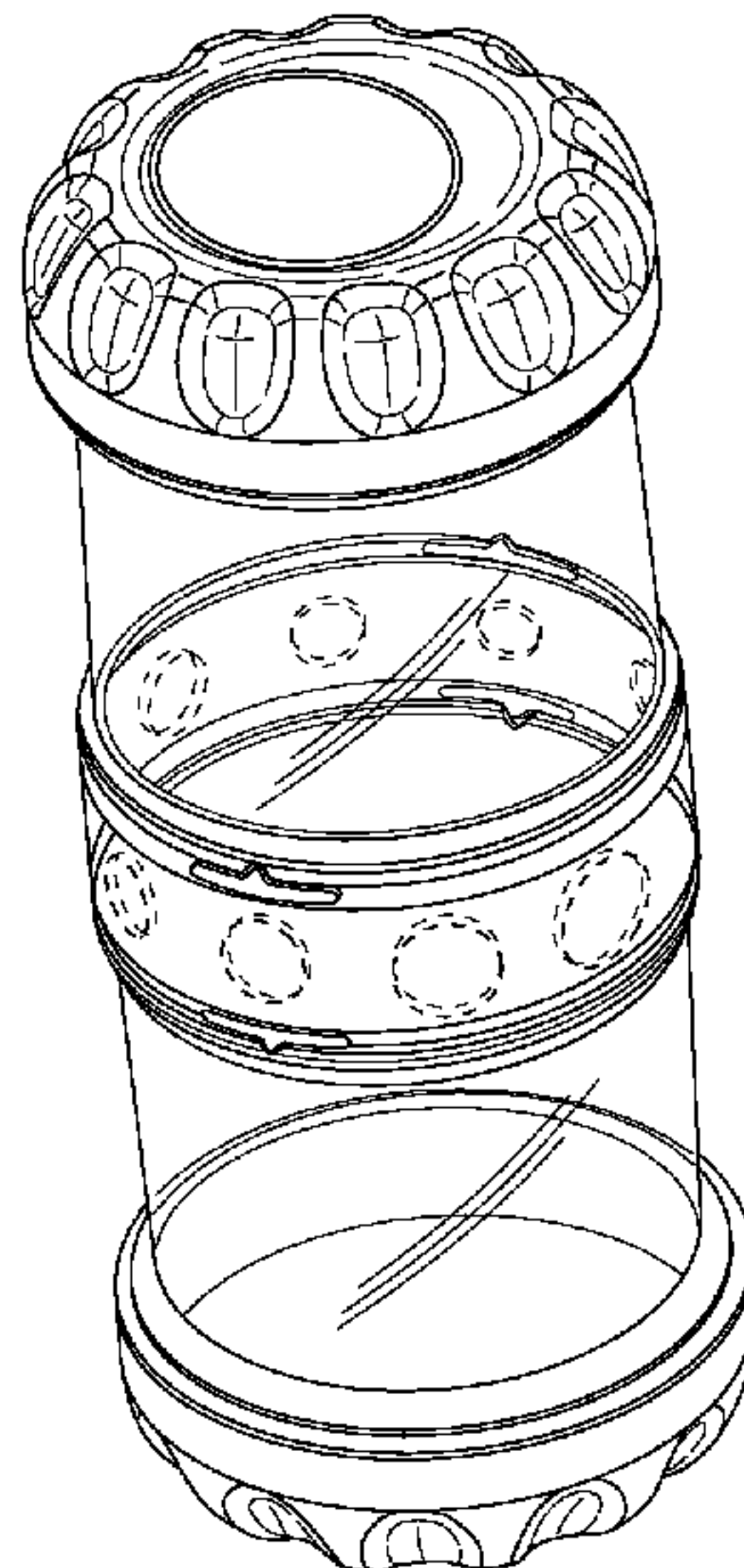
(57) **CLAIM**

The ornamental design for dogs and cats eating accessory, as shown and described.

DESCRIPTION

FIG. 1 is a lateral view of a dogs and cats eating accessory showing my new design. The item is symmetric.
 FIG. 2 is a front and back elevational view thereof.
 FIG. 3 is a lateral isometric view thereof.
 FIG. 4 is a top isometric view thereof; and,
 FIG. 5 is an oblique view thereof.
 Broken lines are for illustrative purposes only and form no part of the claimed design.

1 Claim, 5 Drawing Sheets



US D864,495 S

(56)

References Cited

U.S. PATENT DOCUMENTS

| | | | | | | | | | |
|-----------|-----|---------|---------------|--------------------------|--------------|------|---------|-----------------|--------------------------|
| 2,019,876 | A * | 11/1935 | Taylor | B65G 51/06 406/8 | 5,538,366 | A * | 7/1996 | Piland | B65G 51/06 384/10 |
| 2,336,934 | A * | 12/1943 | Hornsby | B65G 51/06 406/187 | 5,573,356 | A * | 11/1996 | Henderson | B65G 51/06 406/186 |
| 2,491,729 | A * | 12/1949 | Grover | B65G 51/06 406/186 | 5,819,690 | A * | 10/1998 | Brown | A01K 5/0114 119/707 |
| 2,525,482 | A * | 10/1950 | Grither | A63H 33/00 446/431 | 5,865,146 | A * | 2/1999 | Markham | A01K 15/026 119/707 |
| 2,752,725 | A * | 7/1956 | Unsworth | A63F 7/042 273/109 | 5,865,147 | A * | 2/1999 | Rubin | A01K 5/0114 119/711 |
| 2,934,285 | A * | 4/1960 | Niehaus | B65G 51/06 406/186 | 5,947,061 | A * | 9/1999 | Markham | A01K 15/026 119/710 |
| D188,179 | S * | 6/1960 | Tay | 428/15 | 5,957,082 | A * | 9/1999 | Budman | A01K 5/0114 119/54 |
| 3,028,704 | A * | 4/1962 | Rumbaugh | A63F 7/044 273/112 | 5,980,164 | A * | 11/1999 | Fratello | B65G 51/06 406/186 |
| 3,315,640 | A * | 4/1967 | Gamble | A01K 15/025 119/707 | 6,089,483 | A * | 7/2000 | St-Laurent | B65H 75/182 116/1 |
| 3,451,671 | A * | 6/1969 | May | A63B 26/003 280/228 | 6,158,391 | A * | 12/2000 | Simonetti | A01K 5/0114 119/702 |
| 3,482,801 | A * | 12/1969 | Leontas | B65G 51/06 220/255 | 6,234,723 | B1 * | 5/2001 | Thalmayr | B65G 51/06 220/219 |
| 3,506,216 | A * | 4/1970 | Delamater | B65G 51/06 220/816 | 6,237,538 | B1 * | 5/2001 | Tsengas | A01K 5/0114 119/707 |
| 3,642,232 | A * | 2/1972 | Kelley | B65G 51/06 406/189 | 6,276,877 | B1 * | 8/2001 | Crawford | B65G 51/06 40/306 |
| 3,716,233 | A * | 2/1973 | Kotwas et al. | A63F 7/045 273/440 | 6,453,602 | B1 * | 9/2002 | Russell | A01K 69/06 43/100 |
| 3,733,037 | A * | 5/1973 | Vandiveer | B65G 51/06 406/189 | 6,485,349 | B1 * | 11/2002 | Snyder | A63H 29/08 446/168 |
| D227,346 | S * | 6/1973 | Fischer | D18/35 | 7,455,481 | B1 * | 11/2008 | Keller | B65G 51/06 406/184 |
| 3,787,008 | A * | 1/1974 | Barnett | B65G 51/06 406/190 | D585,481 | S * | 1/2009 | Higgins | D18/35 |
| D231,087 | S * | 4/1974 | Edwards | D9/503 | 7,631,613 | B2 * | 12/2009 | Lescroart | A01K 15/025 119/51.01 |
| D250,358 | S * | 11/1978 | Matsumoto | D21/311 | D620,800 | S * | 8/2010 | Thielman | D9/504 |
| D251,312 | S * | 3/1979 | Matsumoto | D21/311 | D624,599 | S * | 9/2010 | Knight | D21/300 |
| 4,149,685 | A * | 4/1979 | Leavelle | B65G 51/06 220/326 | D633,143 | S * | 2/2011 | Manieri | D19/59 |
| 4,219,290 | A * | 8/1980 | Golston | B65G 51/06 406/186 | 8,112,920 | B2 * | 2/2012 | Fenton | G09F 3/20 40/506 |
| D259,131 | S * | 5/1981 | Itakura | D21/311 | D665,136 | S * | 8/2012 | Day | D30/160 |
| D259,268 | S * | 5/1981 | Itakura | D21/311 | 8,267,622 | B1 * | 9/2012 | MacLean-Blevins | B65G 51/42 406/186 |
| 4,301,612 | A * | 11/1981 | Ciulla | A01K 69/08 43/100 | 8,584,620 | B2 * | 11/2013 | Rutherford | A01K 15/025 119/707 |
| 4,310,987 | A * | 1/1982 | Chieffo | A63H 29/22 446/175 | 8,746,182 | B2 * | 6/2014 | Anderson | A01K 15/025 119/709 |
| 4,324,511 | A * | 4/1982 | Irish | B65G 51/06 406/189 | 8,875,662 | B2 * | 11/2014 | Angle | A01K 15/026 119/707 |
| 4,720,283 | A * | 1/1988 | Williams | A63F 7/3622 446/168 | D720,898 | S * | 1/2015 | Herrera | D30/160 |
| 4,906,217 | A * | 3/1990 | O'young | A63H 33/00 446/153 | D809,218 | S * | 1/2018 | Yijie | D30/160 |
| D309,328 | S * | 7/1990 | Noshiro | D21/311 | D812,820 | S * | 3/2018 | Bolter | D30/121 |
| 4,948,303 | A * | 8/1990 | Good | B65G 51/06 406/184 | D818,825 | S * | 5/2018 | Paredes | D9/500 |
| D311,032 | S * | 10/1990 | Watanabe | D21/311 | D821,041 | S * | 6/2018 | Buesseler | D30/160 |
| 5,092,714 | A * | 3/1992 | Porter | B65G 51/06 406/111 | 10,010,786 | B1 * | 7/2018 | Basyuk | A63F 9/00 |
| 5,191,856 | A * | 3/1993 | Gordon | A01K 15/025 119/711 | D825,116 | S * | 8/2018 | Wills | D30/160 |
| 5,213,232 | A * | 5/1993 | Kraft | B65D 83/0409 198/657 | 10,118,104 | B1 * | 11/2018 | Basyuk | A63H 33/00 |
| 5,232,130 | A * | 8/1993 | Woodard | B65D 25/52 221/288 | 10,149,457 | B2 * | 12/2018 | Vance | B29C 41/04 |
| 5,343,828 | A * | 9/1994 | Houghton | A01K 15/026 119/51.03 | 10,159,220 | B1 * | 12/2018 | Tsengas | A01K 15/024 |
| 5,357,905 | A * | 10/1994 | Gordon | A01K 15/027 119/708 | 2002/0106968 | A1 * | 8/2002 | Herrenbruck | A01K 15/025 446/475 |
| 5,390,629 | A * | 2/1995 | Simone | A01K 15/025 119/711 | 2002/0115377 | A1 * | 8/2002 | Herrenbruck | A01K 15/025 446/475 |
| 5,423,290 | A * | 6/1995 | Payne | A01K 31/14 119/329 | 2005/0198892 | A1 * | 9/2005 | Lin | A01K 69/06 43/100 |
| | | | | | 2006/0086756 | A1 * | 4/2006 | Roth | B65D 21/0204 222/129 |
| | | | | | 2007/0022971 | A1 * | 2/2007 | Renforth | A01K 15/026 119/707 |
| | | | | | 2007/0068464 | A1 * | 3/2007 | Smith | A01K 15/025 119/709 |
| | | | | | 2008/0053380 | A1 * | 3/2008 | Ritchey | A01K 15/025 119/707 |
| | | | | | 2008/0083378 | A1 * | 4/2008 | Pearce | A01K 5/0114 119/707 |

(56)

References Cited

U.S. PATENT DOCUMENTS

| | | | | |
|--------------|------|---------|-----------------|--------------------------|
| 2008/0121190 | A1 * | 5/2008 | Moulton | A01K 5/0114 119/710 |
| 2008/0141948 | A1 * | 6/2008 | Renforth | A01K 15/026 119/710 |
| 2009/0175692 | A1 * | 7/2009 | Tsai | B65G 51/06 406/96 |
| 2010/0147227 | A1 * | 6/2010 | Lind | A01K 15/026 119/709 |
| 2010/0180833 | A1 * | 7/2010 | Ohms | A01K 15/02 119/707 |
| 2010/0247251 | A1 * | 9/2010 | Cornelius | B65D 59/02 406/190 |
| 2011/0000441 | A1 * | 1/2011 | Woltmann | A01K 15/026 119/709 |
| 2011/0061603 | A1 * | 3/2011 | Ragonetti | A01K 15/027 119/702 |
| 2011/0192353 | A1 * | 8/2011 | Willinger | A01K 15/026 119/709 |
| 2014/0217056 | A1 * | 8/2014 | Parekh | A45F 3/16 215/228 |
| 2015/0107521 | A1 * | 4/2015 | Bush | A01K 15/025 119/51.01 |
| 2016/0081304 | A1 * | 3/2016 | Nielsen | A01K 15/025 514/772.3 |
| 2016/0316719 | A1 * | 11/2016 | Parness | A01K 15/025 |
| 2017/0020109 | A1 * | 1/2017 | Dewey | A01K 15/026 |
| 2017/0064926 | A1 * | 3/2017 | Gutierrez | H04W 4/70 |

* cited by examiner

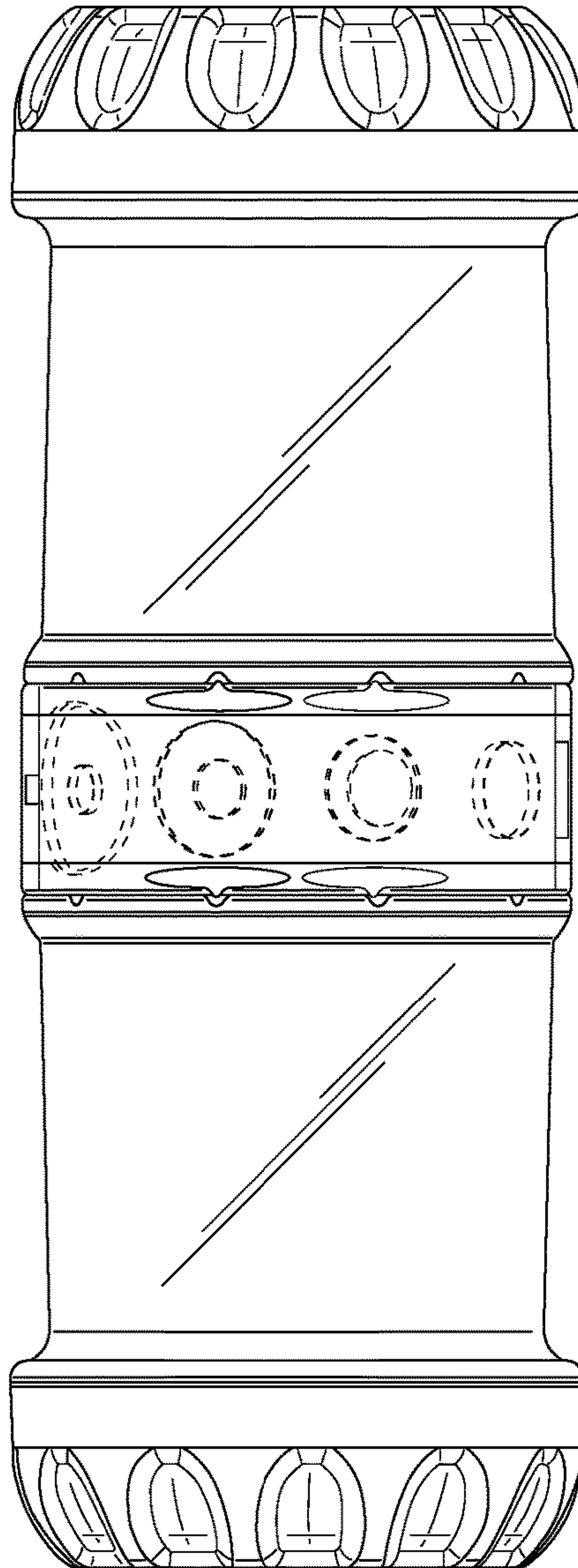


Fig. 1

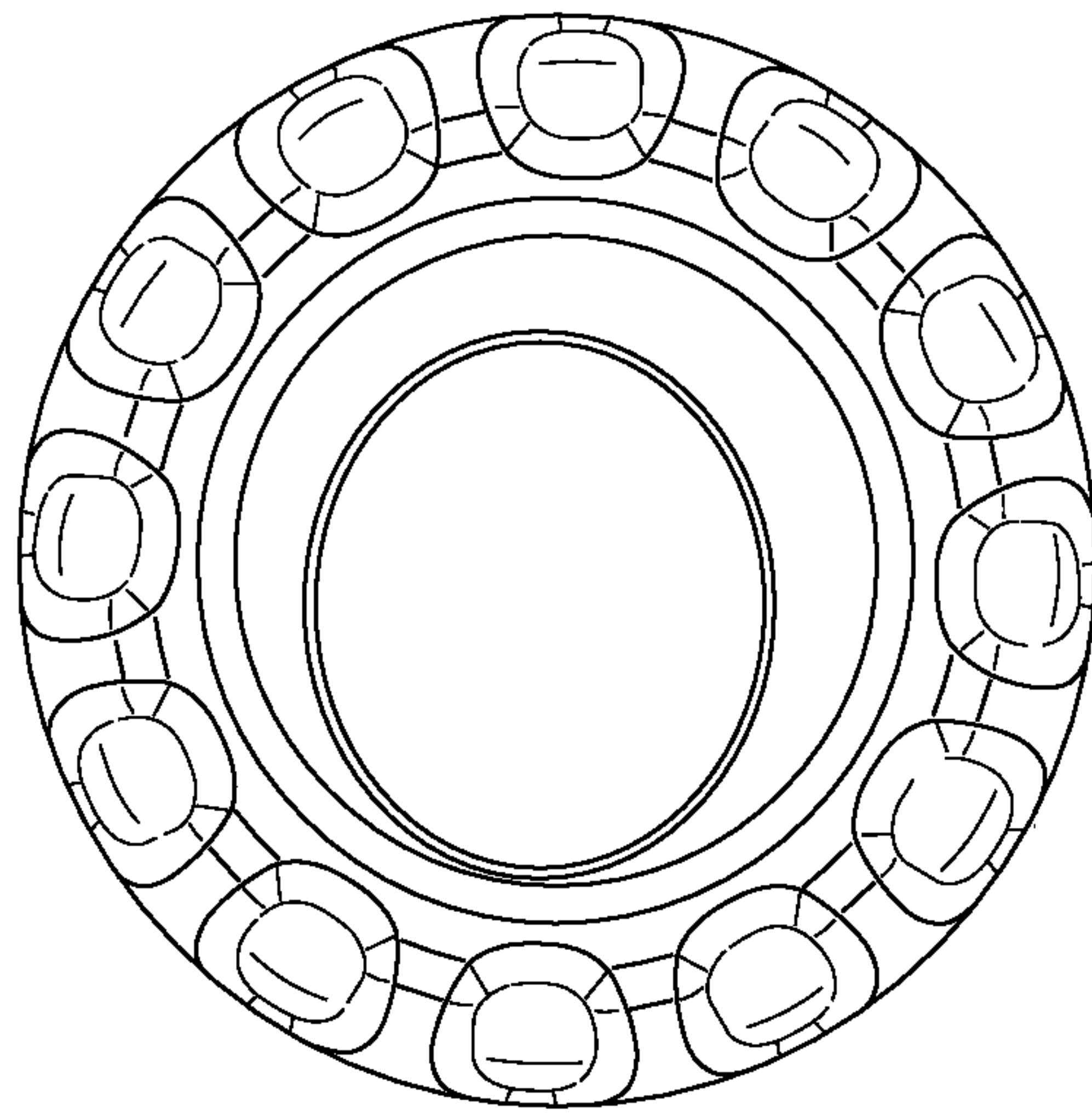


Fig. 2

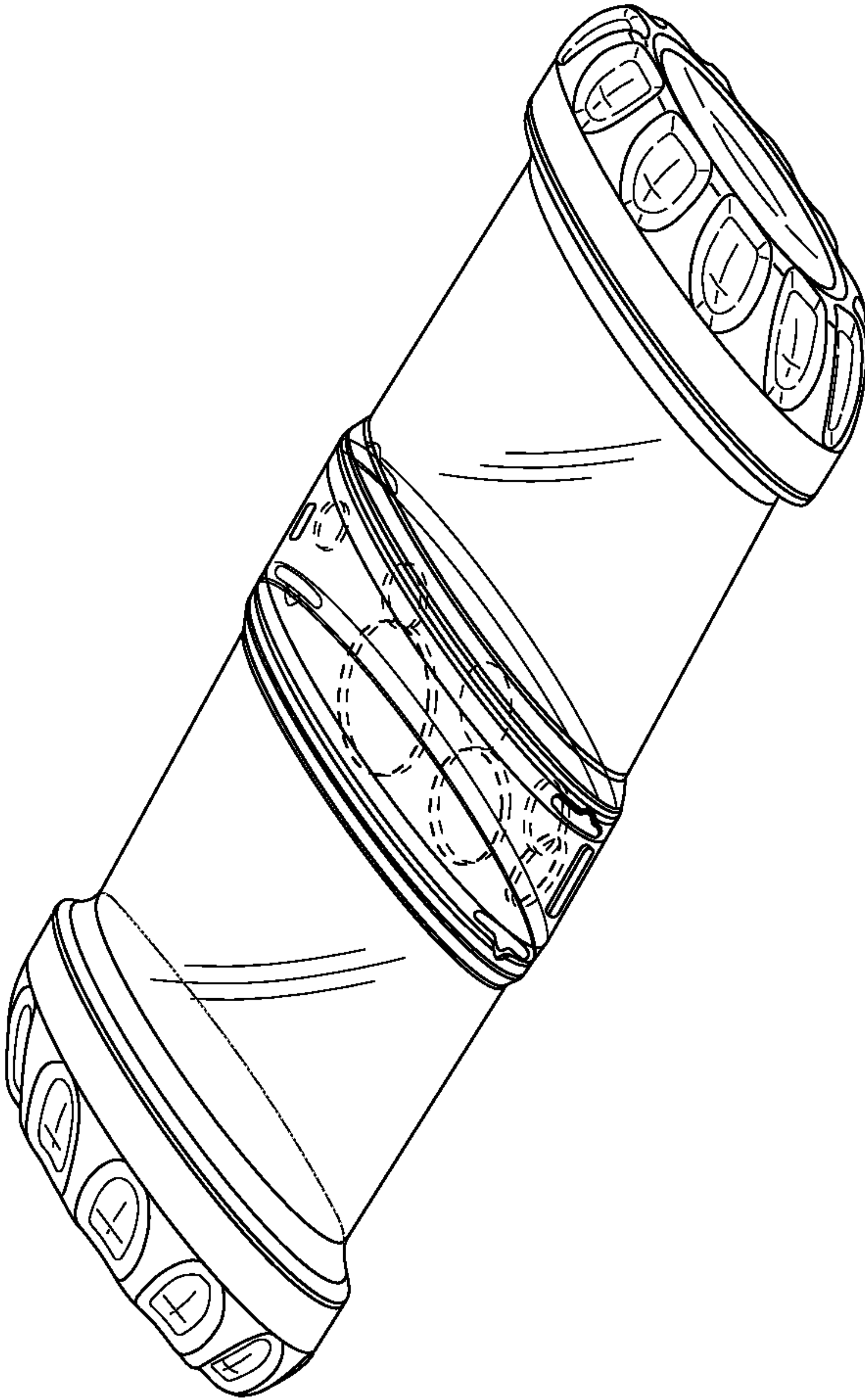


Fig. 3

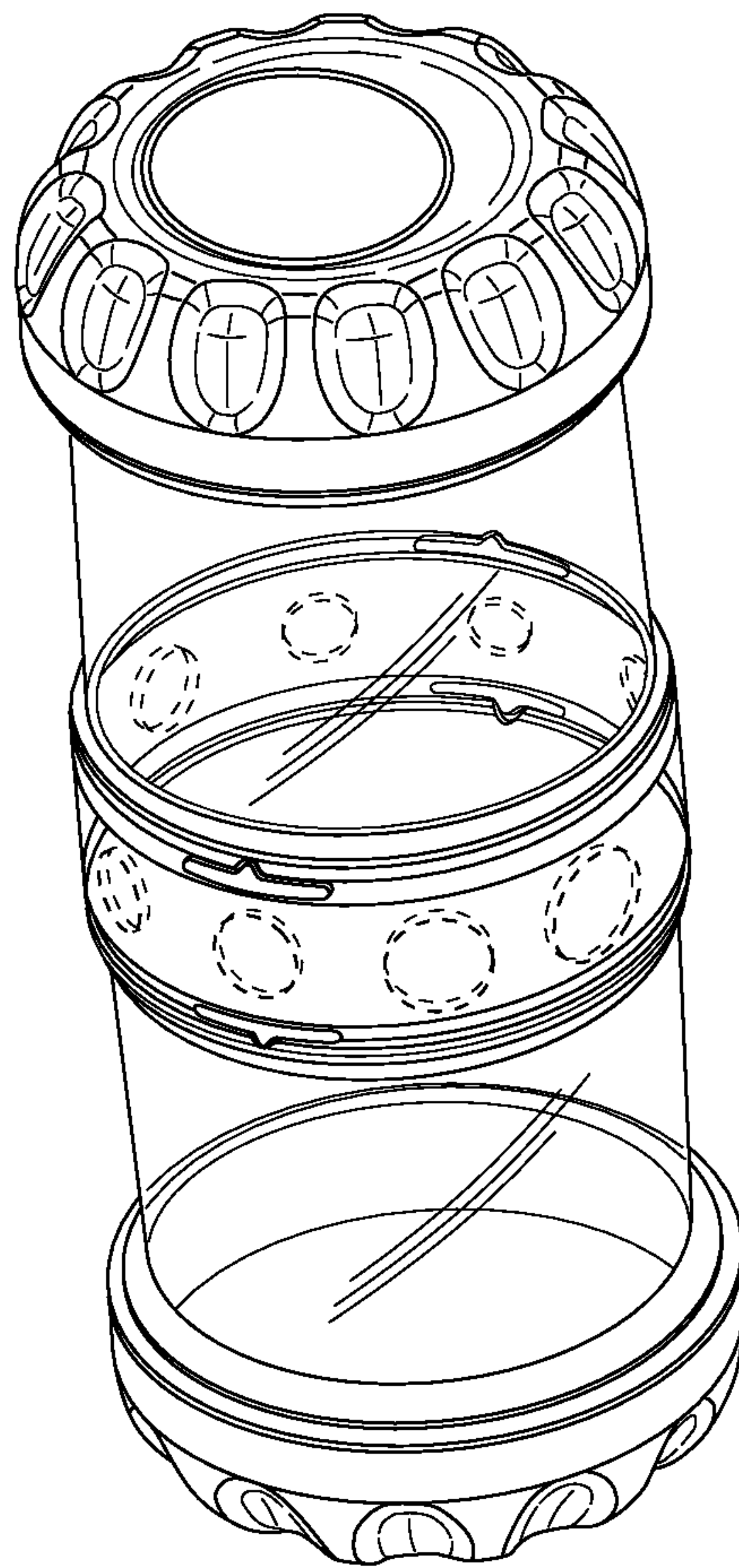


Fig. 4



Fig. 5