



US00D864493S

(12) **United States Design Patent**
MacNeil et al.

(10) **Patent No.:** **US D864,493 S**
(45) **Date of Patent:** **** Oct. 22, 2019**

- (54) **PET RAMP PIER**
- (71) Applicant: **MacNeil IP LLC**, Bolingbrook, IL (US)
- (72) Inventors: **David F. MacNeil**, Fort Lauderdale, FL (US); **Frederick W. Masanek, Jr.**, Barrington, IL (US); **David S. Iverson**, Oak Brook, IL (US)
- (73) Assignee: **MACNEIL IP LLC**, Bolingbrook, IL (US)

6,119,634 A 9/2000 Myrick
 6,318,294 B1 11/2001 Richmond et al.
 6,886,660 B2 5/2005 Sapatova
 7,302,914 B1 * 12/2007 Wehby A01K 1/033
 119/482
 D558,473 S * 1/2008 Mendenhall D6/349
 D640,015 S * 6/2011 Birck D30/119
 D667,594 S * 9/2012 Valle D30/108
 8,291,841 B2 * 10/2012 Correia de Castro
 B25H 1/0014
 108/162
 D736,867 S * 8/2015 Glickfield D21/671
 (Continued)

(**) Term: **15 Years**

(21) Appl. No.: **29/624,062**

(22) Filed: **Oct. 30, 2017**

Related U.S. Application Data

- (62) Division of application No. 29/560,231, filed on Apr. 4, 2016, now abandoned.
- (51) **LOC (12) Cl.** **30-02**
- (52) **U.S. Cl.**
USPC **D30/119**
- (58) **Field of Classification Search**
USPC D30/108, 109, 113, 114, 115, 116, 117,
D30/118, 119, 120; D25/152, 153, 154,
D25/155, 156
CPC A01K 1/035
See application file for complete search history.

(56) **References Cited**

U.S. PATENT DOCUMENTS

D322,872 S * 12/1991 Holbrook 119/28.5
 D353,029 S * 11/1994 Northrop D30/108
 D376,874 S 12/1996 Reyes, III
 D376,909 S 12/1996 Dickinson et al.
 5,641,034 A * 6/1997 Calmeise A47C 12/00
 182/17
 D382,676 S 8/1997 Holbrook
 D412,224 S * 7/1999 Adler D30/119

OTHER PUBLICATIONS

“Pet Gear Stramp Stair and Ramp Combination”. Found online Nov. 15, 2018 at amazon.com. Page dated Feb. 14, 2012. Retrieved from https://www.amazon.com/Pet-Gear-Step-Combination-supertraX/dp/B006/8LLGK/ref=cm_cr_arp_d_product_top?ie=UTF8.*
 (Continued)

Primary Examiner — Kendra Leslie Hamilton
 (74) *Attorney, Agent, or Firm* — Perkins IP Law Group LLC; Jefferson Perkins

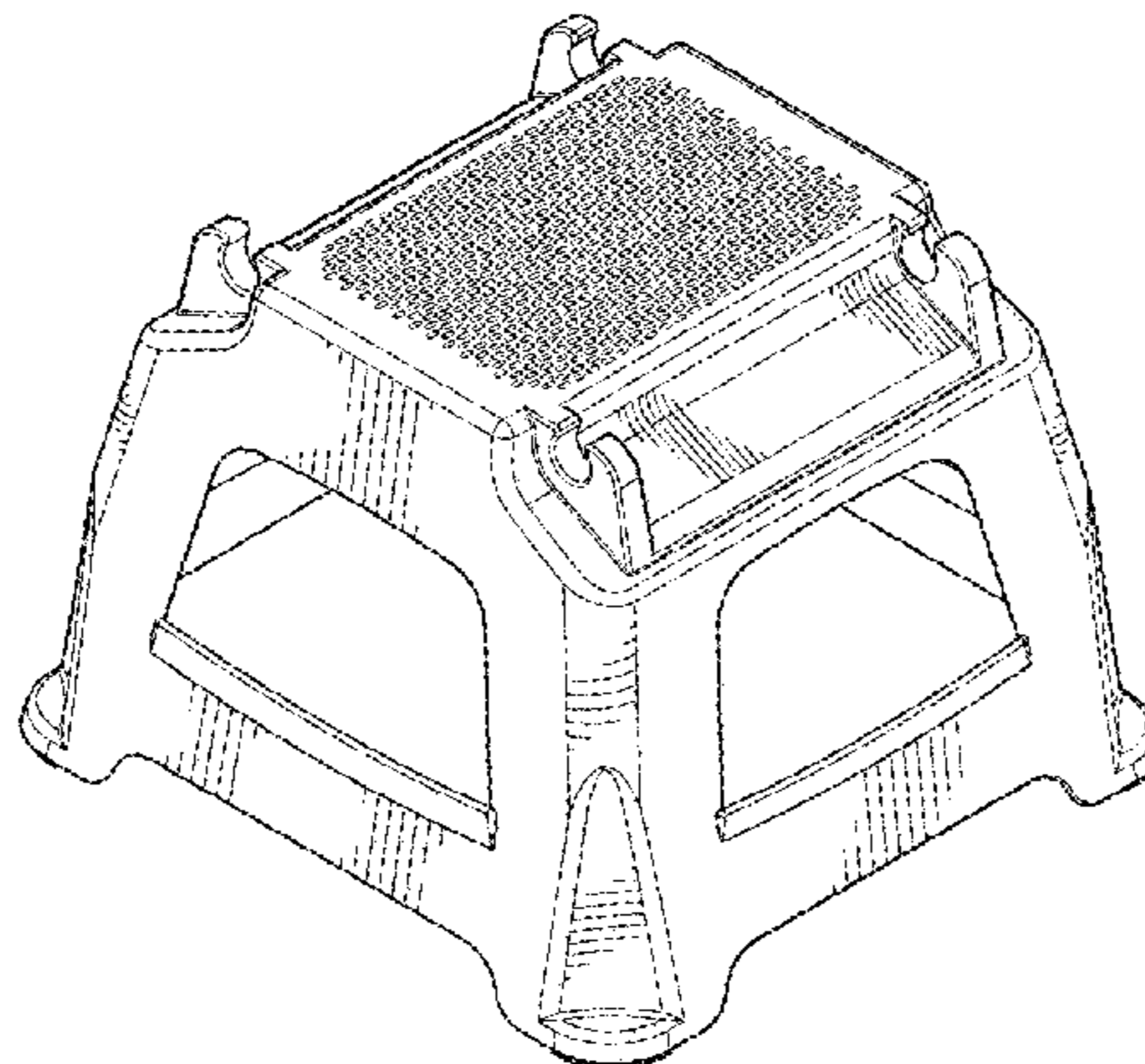
(57) **CLAIM**

We claim the ornamental design for a pet ramp pier, as shown and described.

DESCRIPTION

FIG. 1 is a top perspective view of a pet ramp pier, showing our new design;
 FIG. 2 is a top view of our design;
 FIG. 3 is a left side view of our design, a right side view being a mirror image of the left side view;
 FIG. 4 is a front view of our design, a rear view being a mirror image of the front view; and,
 FIG. 5 is a top perspective detail of FIG. 1.
 The bottom of the pier is unadorned and forms no portion of the claimed design.

1 Claim, 3 Drawing Sheets



(56)

References Cited

U.S. PATENT DOCUMENTS

D756,574	S	5/2016	Jakubowski et al.	
D790,137	S *	6/2017	Scotti	D30/120
9,775,326	B1 *	10/2017	MacNeil	A01K 1/035
D802,227	S *	11/2017	Florey	D30/118
2005/0115522	A1	6/2005	Bishop	
2016/0302381	A1	10/2016	Asposito	

OTHER PUBLICATIONS

“PetSTEP Original Folding Pet Ramp”. Found online Nov. 15, 2018 at amazon.com. Page dated Jul. 12, 2003. Retrieved from https://www.amazon.com/PetSTEP-Original-Folding-Ramp-Graphite/dp/B001AR7YII/ref=cm_cr_arp_d_product_top?ie=UTF8.*

“Internet’s Best Small Adjustable Pet Ramp”. Found online Nov. 15, 2018 at amazon.com. Page dated Oct. 24, 2017. Retrieved from [https://www.amazon.com/Internets-Best-Adjustable-Decorative-](https://www.amazon.com/Internets-Best-Adjustable-Decorative-Friendly/dp/B076H98PRK/ref=cm_cr_arp_d_product_top?ie=UTF8)

[Friendly/dp/B076H98PRK/ref=cm_cr_arp_d_product_top?ie=UTF8](https://www.amazon.com/Internets-Best-Adjustable-Decorative-Friendly/dp/B076H98PRK/ref=cm_cr_arp_d_product_top?ie=UTF8).*

“JW Pet Walk Up Small Animal Barn.” Found online Apr. 6, 2017 at amazon.com. Page dated Dec. 23, 2011. Retrieved from https://www.amazon.com/JW-Pet-Company-Animal-Assorted/dp/B003NTJOSS/ref=cm_cr_arp_d_product_top?ie=UTF8.

“Kaytee Woodland Get-A-Way Small Mouse House.” Found online Apr. 6, 2017 at amazon.com. Page dated Feb. 5, 2010. Retrieved from https://www.amazon.com/Kaytee-Woodland-Small-Mouse-House/dp/B0009WMQ7Y/ref=cm_cr_arp_d_product_top?ie=UTF8.

“Paw Climbers Pet Ramp for Beds.” Found online Jan. 19, 2017 at sears.com. Page dated Sep. 24, 2014. Retrieved from <http://web.archive.org/web/20140924003141/http://www.sears.com/paw-climbers-pet-ramp-for-beds/p-SPM9589744625?>

“Low Platform Pet Ramp.” Found online Jan. 19, 2017 at petclassics.com. Page dated Sep. 17, 2011. Retrieved from <http://web.archive.org/web/20110917150034/http://www.petclassics.com/Sofa-Ramps-For-Pets/low-platform-pet-ramp.74.html>.

* cited by examiner

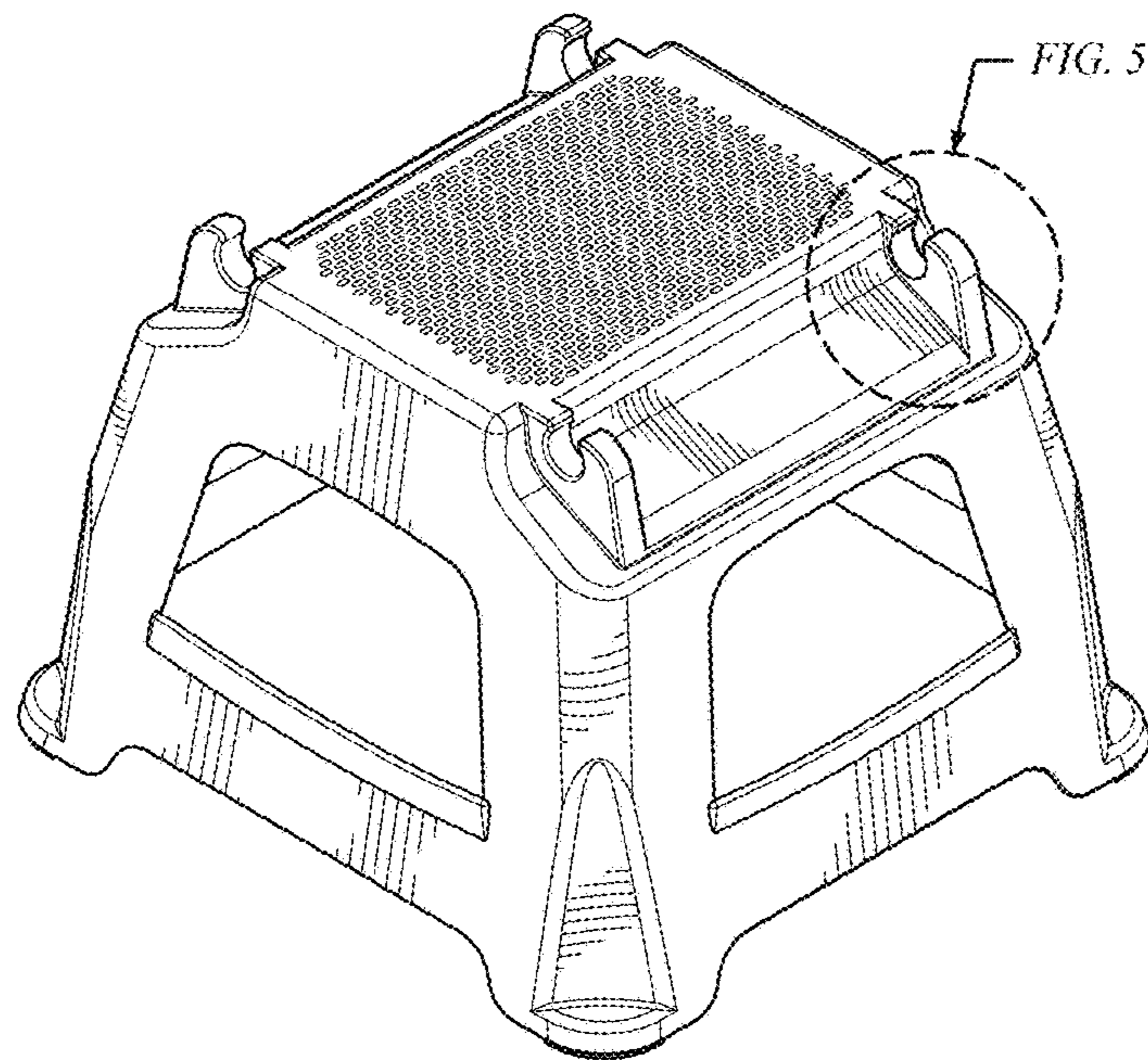


FIG. 1

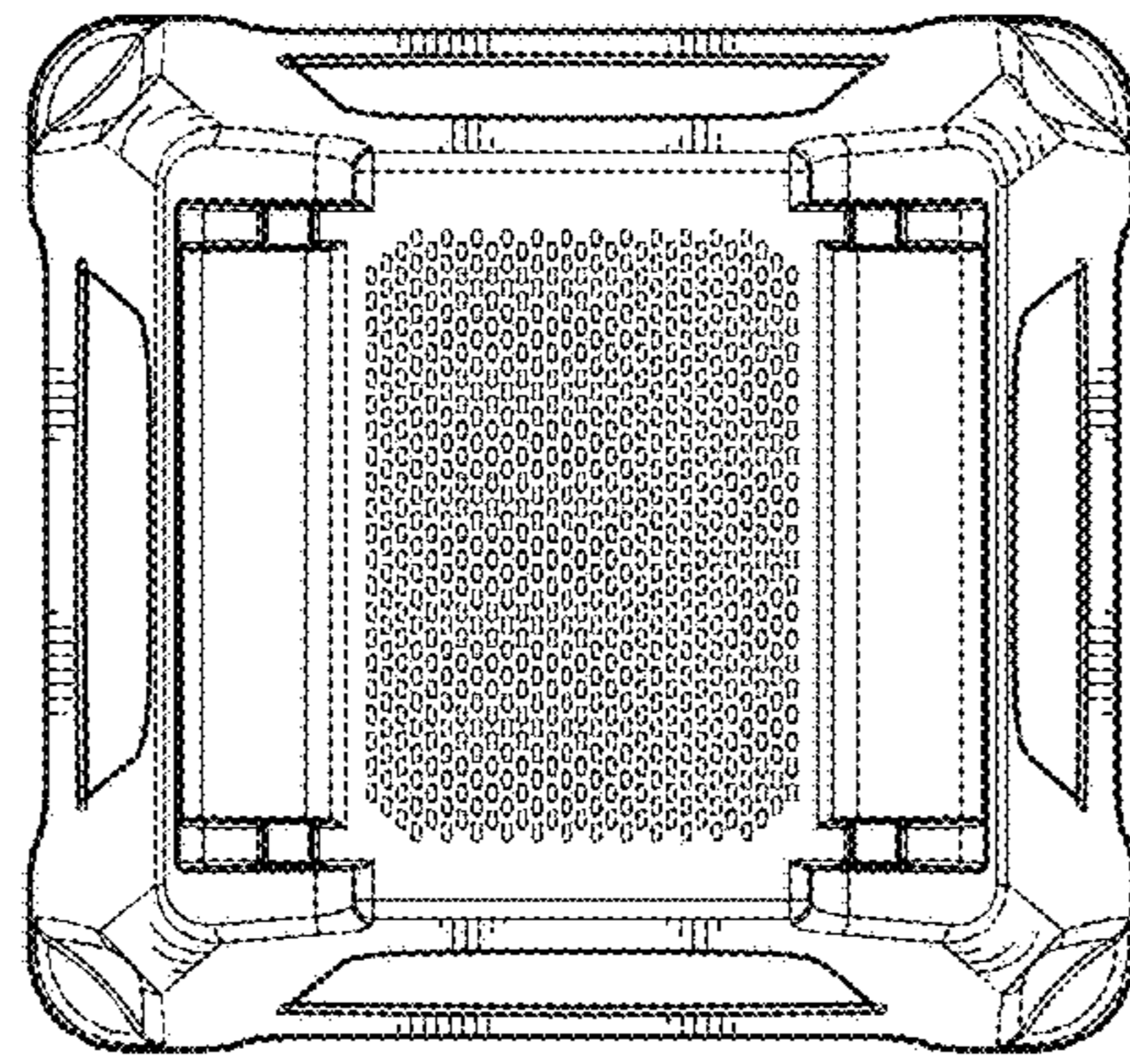


FIG. 2

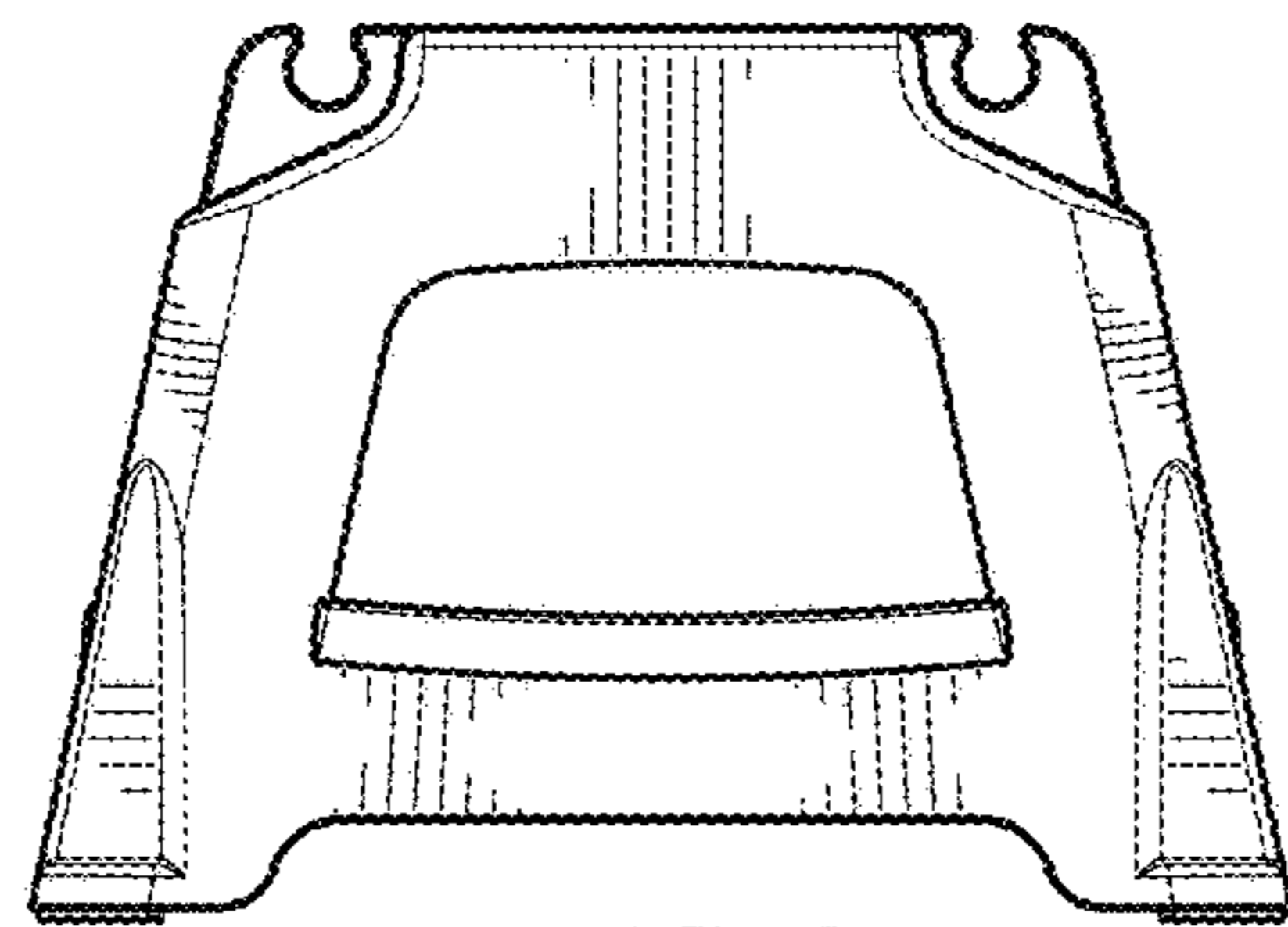


FIG. 3

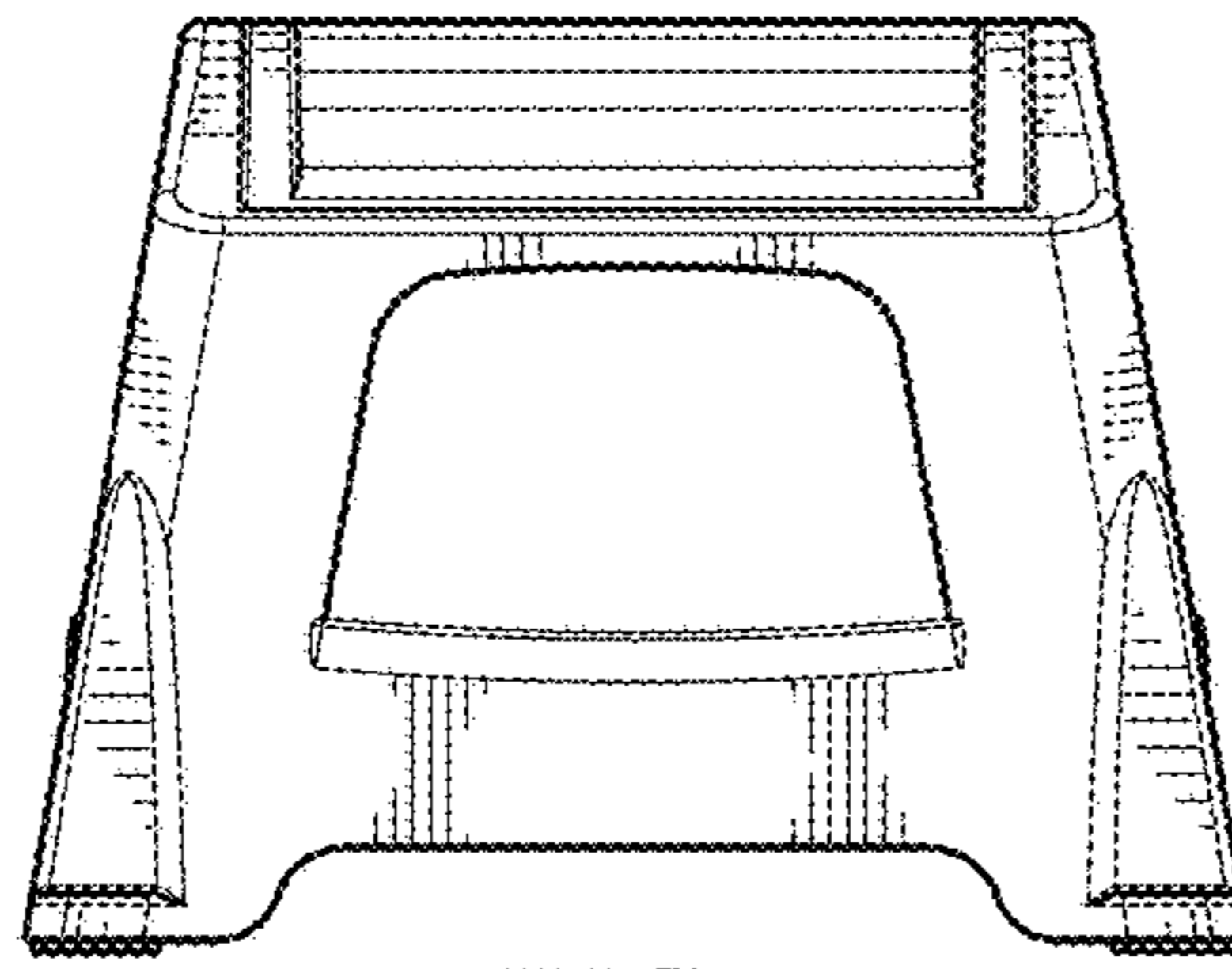


FIG. 4

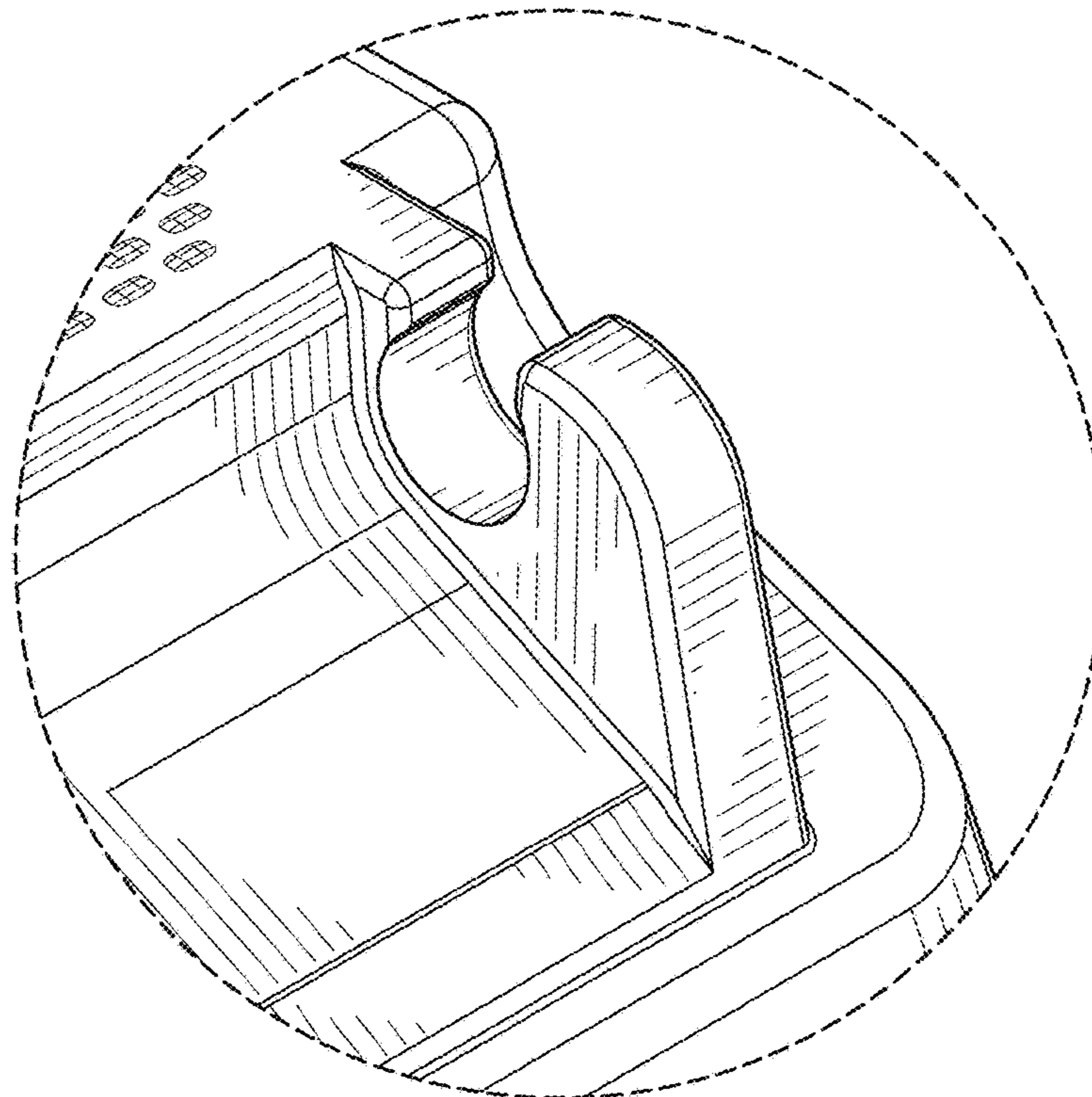


FIG. 5