

US00D864491S

(12) **United States Design Patent** (10) **Patent No.:** **US D864,491 S**
Bartosh (45) **Date of Patent:** **** Oct. 22, 2019**

(54) **FINGER SHIELD WITH SLEEVE**
(71) Applicant: **Dale Bartosh**, Bloomington, MN (US)
(72) Inventor: **Dale Bartosh**, Bloomington, MN (US)
(**) Term: **15 Years**
(21) Appl. No.: **29/638,344**
(22) Filed: **Feb. 27, 2018**
(51) **LOC (12) Cl.** **02-06**
(52) **U.S. Cl.**
USPC **D29/114**
(58) **Field of Classification Search**
USPC D29/114, 117.1, 117.2, 120.1; D2/617
CPC A41D 13/087; A61B 2090/0801; A63B
69/0059; A63B 71/14
See application file for complete search history.

D805,720 S * 12/2017 Rubio Lamas D1/122
D805,724 S * 12/2017 Rubio Lamas D1/122
2006/0253952 A1* 11/2006 Caudillo A41D 13/087
2/21

OTHER PUBLICATIONS

Deglon 2-Inch Finger Guard, posted at amazon.com, posting date May 5, 2003, [online], [site visited Jul. 2, 2019]. Available from Internet, URL: <https://www.amazon.com/Deglon-2-Inch-Finger-Digiclass-Stainless/dp/B000ECOESI> (Year: 2003).*
Luciring, posted at modernsalon.com, posting date Jun. 15, 2015, [online], [site visited Jul. 2, 2019]. Available from Internet, URL: <https://www.modernsalon.com/product/31522/one-ring-to-rule-them-all-never-accidentally-cut-your-fingers-again> (Year: 2015).*
SnipNot Hair Cutting Finger Shield, posted at facebook.com, posting date by Dec. 20, 2017, [online], [site visited Jul. 2, 2019]. Available from Internet, URL: <https://www.facebook.com/pg/SnipNot-Hair-Cutting-Finger-Shield-122505048542111/posts/> (Year: 2017).*

(Continued)

Primary Examiner — George D. Kirschbaum
Assistant Examiner — Maria J Edwards

(56) **References Cited**

U.S. PATENT DOCUMENTS

617,929 A * 1/1899 Fowble A41D 13/087
2/21
2,903,701 A * 9/1959 Robinson F41B 5/1473
124/23.1
3,229,403 A * 1/1966 Thomas A01K 97/00
43/4
D314,727 S * 2/1991 Samaras D11/27
D373,225 S * 8/1996 Theroux D29/114
5,991,918 A * 11/1999 Choate A41D 13/087
132/213.1
D465,306 S * 11/2002 Price D29/114
D651,357 S * 12/2011 Logan D29/114
D657,094 S * 4/2012 Logan D29/114
8,381,313 B2 * 2/2013 Logan A41D 13/087
2/21
D702,402 S * 4/2014 Pew D29/113
D789,605 S * 6/2017 Caudillo D28/10

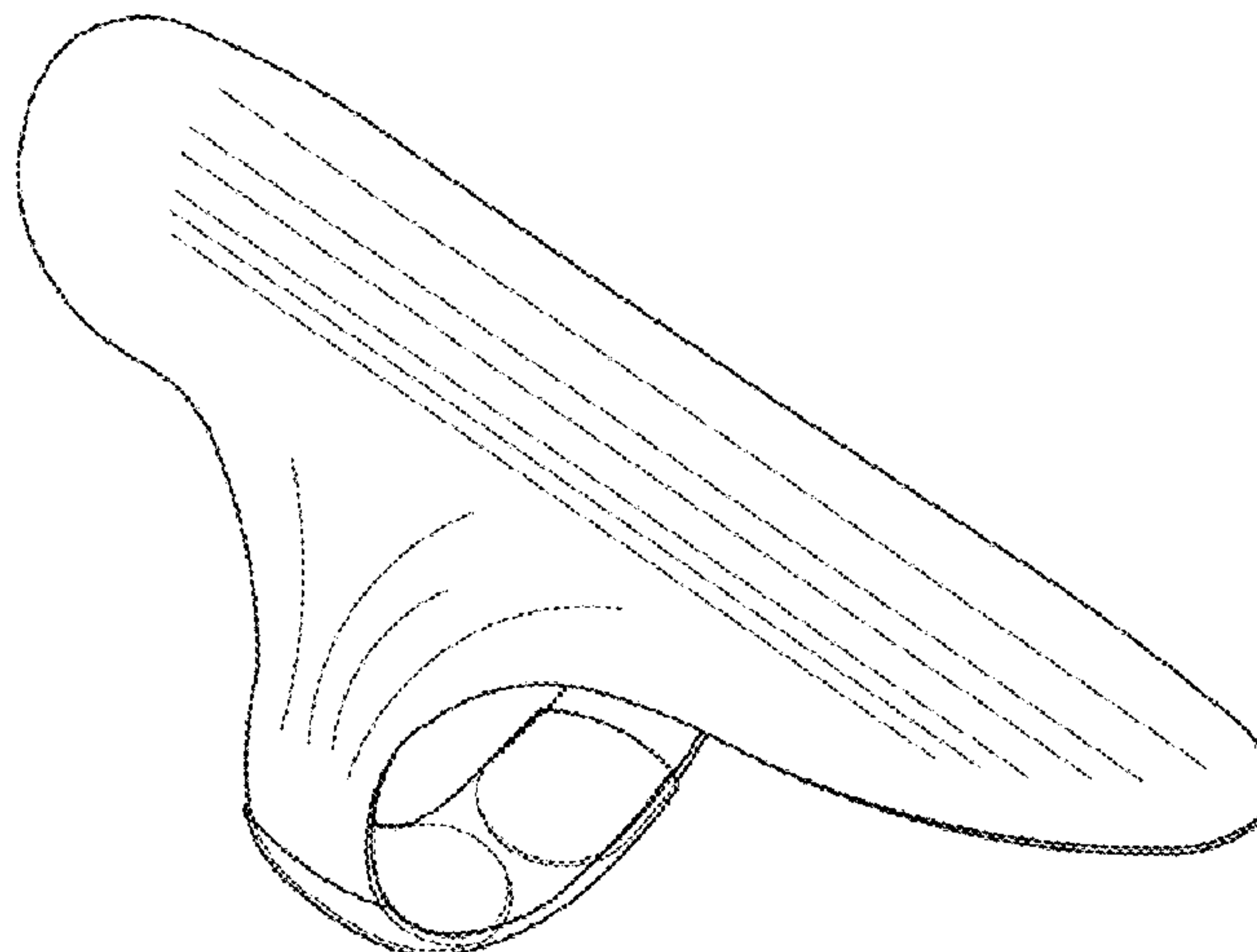
(57) **CLAIM**

The ornamental design for a finger shield with sleeve, as shown and described.

DESCRIPTION

FIG. 1 is a perspective view of a finger shield with sleeve showing my new design;
FIG. 2 is a right side view thereof;
FIG. 3 is a left side view thereof;
FIG. 4 is a bottom view thereof;
FIG. 5 is a top view thereof;
FIG. 6 is a rear view thereof; and,
FIG. 7 is a front view thereof.

1 Claim, 2 Drawing Sheets



(56)

References Cited

OTHER PUBLICATIONS

SnipNot Hair Cutting Finger Shield Pat Pend, posted at etsy.com, posting date by Feb. 5, 2018, [online], [site visited Jul. 2, 2019]. Available from Internet, URL: <https://www.etsy.com/listing/566263556/snipnot-hair-cutting-finger-shield-pat> (Year: 2018).*

* cited by examiner

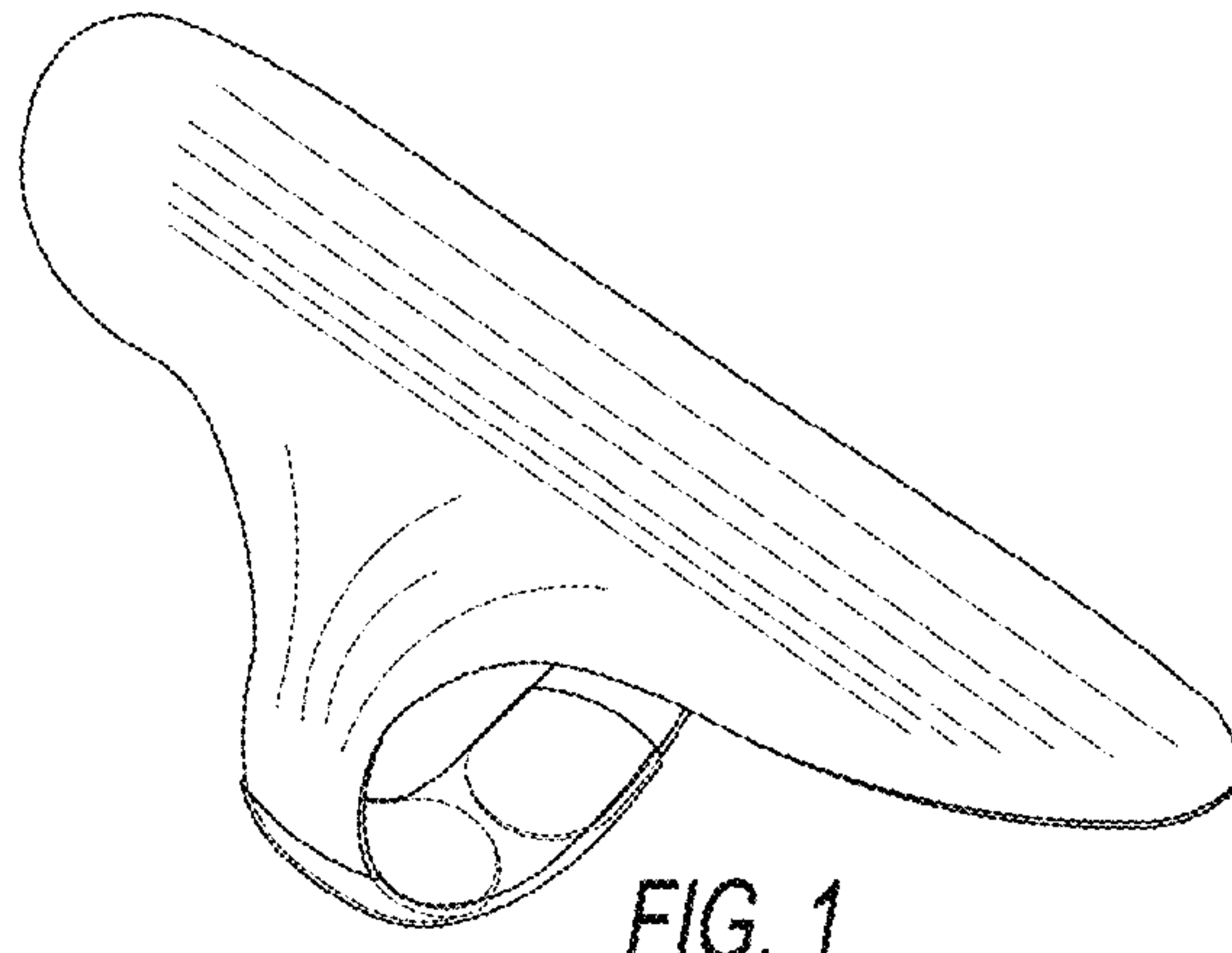


FIG. 1

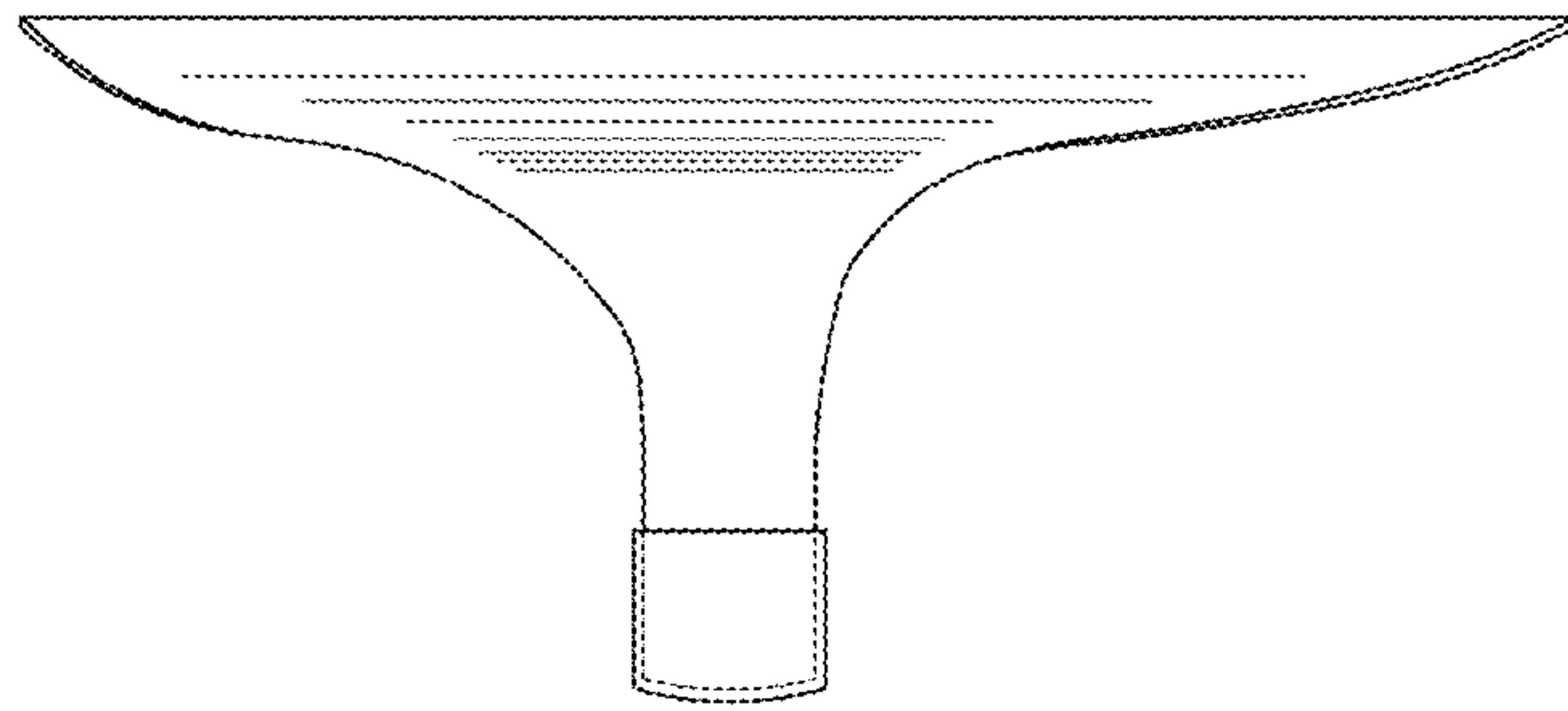


FIG. 2

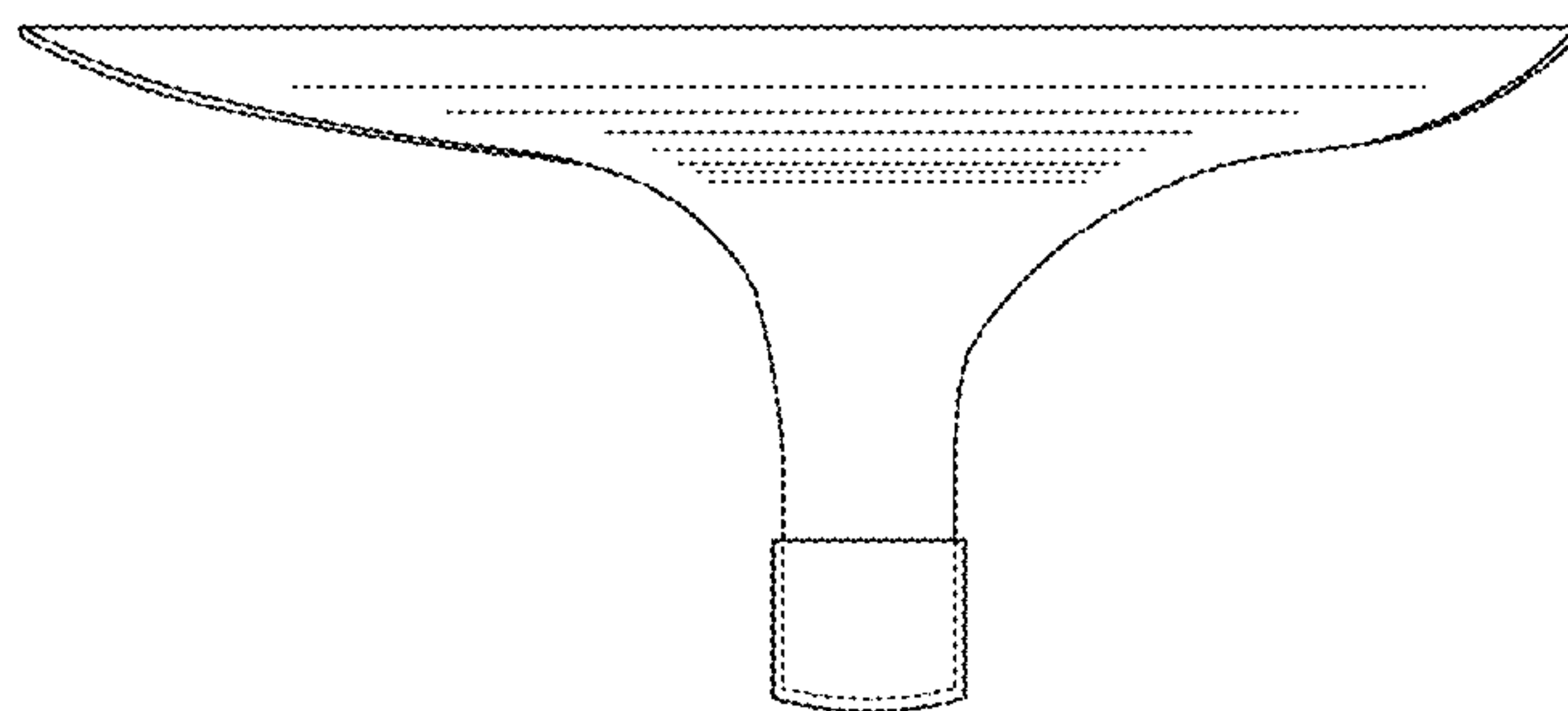


FIG. 3

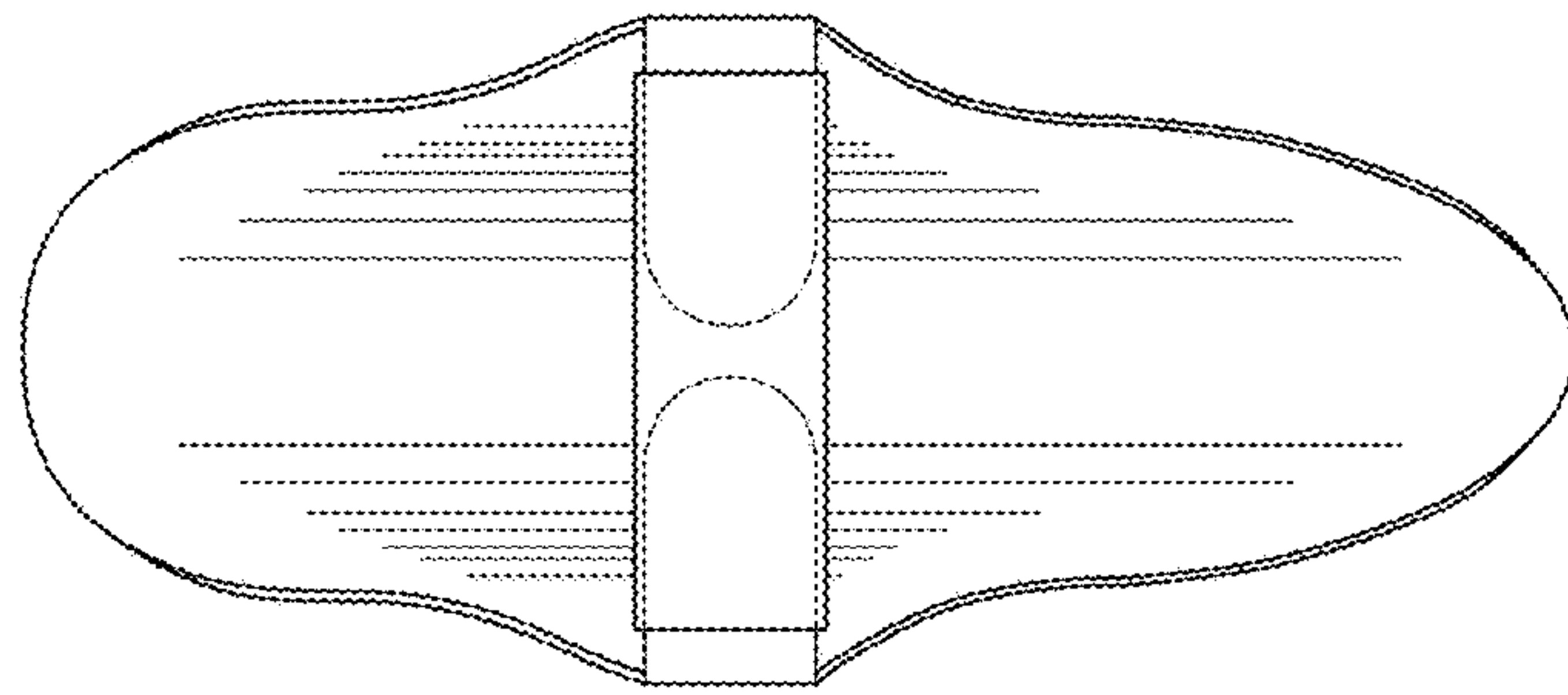


FIG. 4

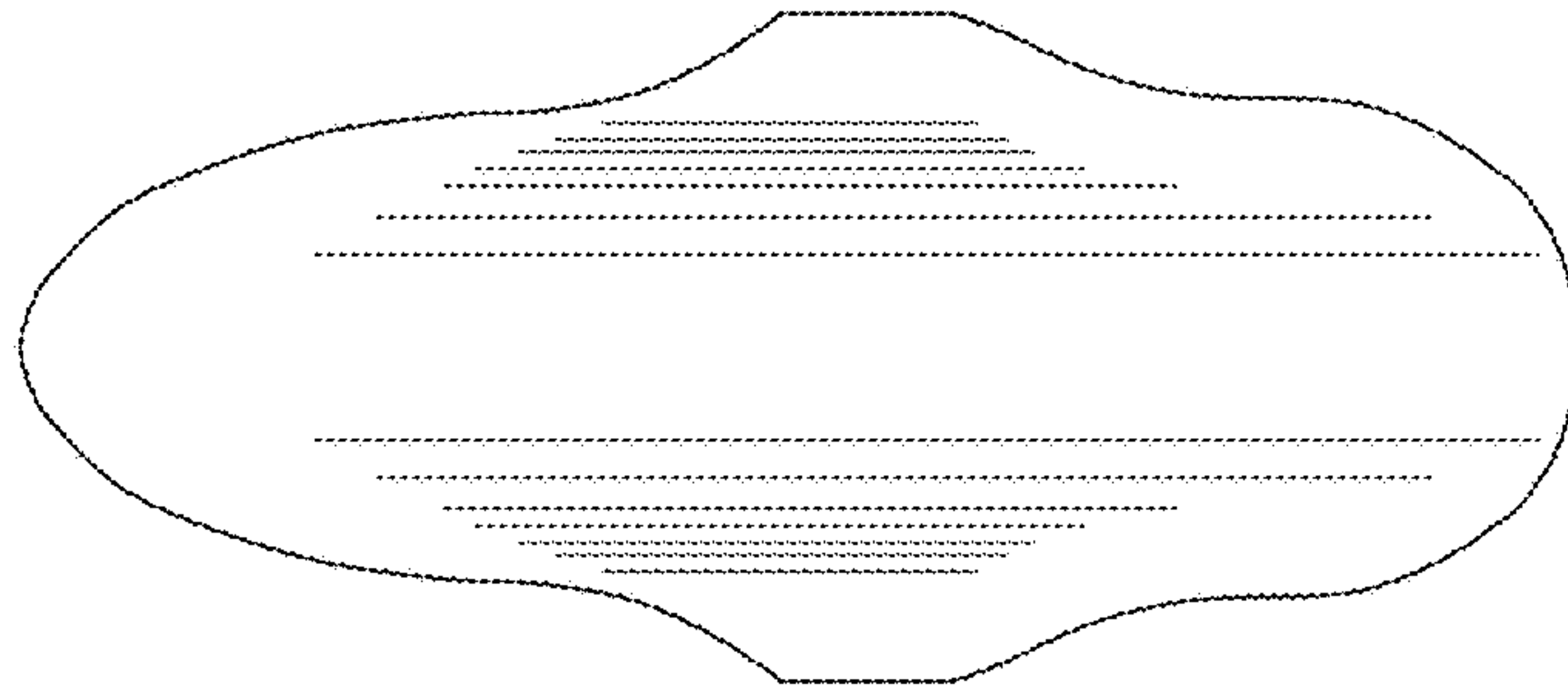


FIG. 5

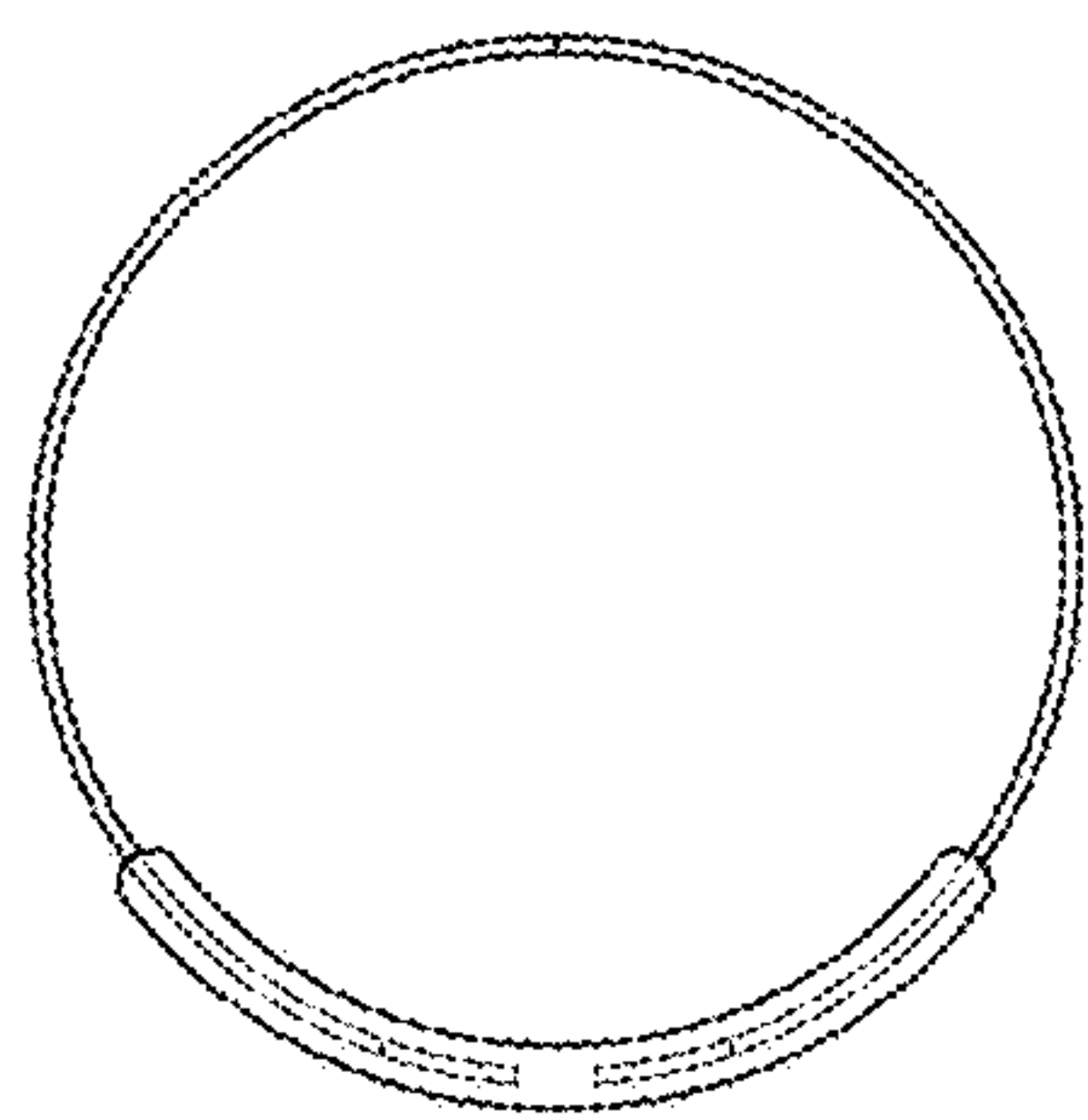


FIG. 6

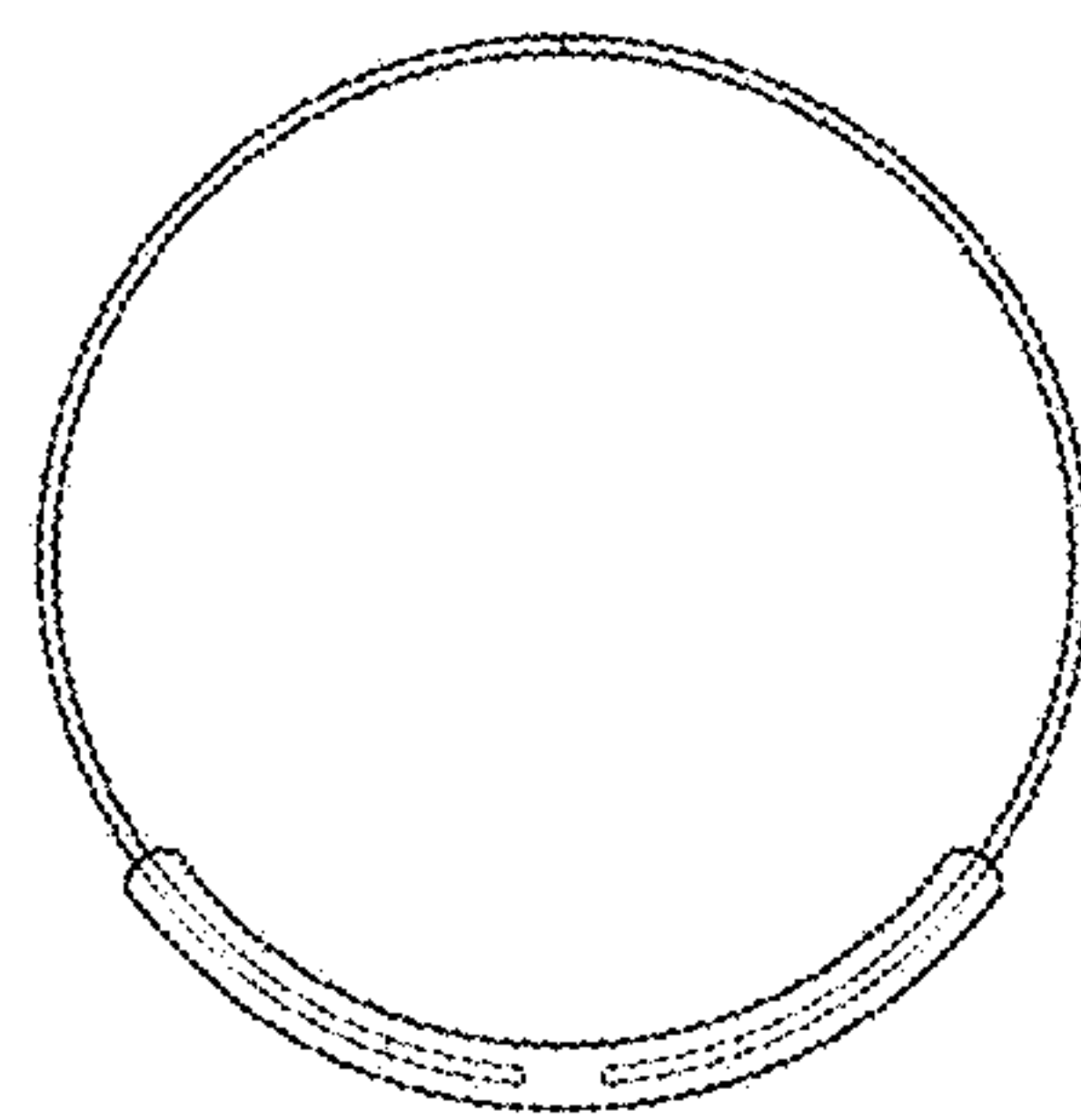


FIG. 7