



US00D864488S

(12) **United States Design Patent**
Kaplan

(10) **Patent No.:** **US D864,488 S**

(45) **Date of Patent:** **** Oct. 22, 2019**

(54) **LIP BALM CONTAINER**

(71) Applicant: **K7 Design Group Corporation**,
Brooklyn, NY (US)

(72) Inventor: **Michael Kaplan**, Brooklyn, NY (US)

(73) Assignee: **K7 Design Group Corporation**,
Brooklyn, NY (US)

(**) Term: **15 Years**

(21) Appl. No.: **29/593,806**

(22) Filed: **Feb. 13, 2017**

(51) **LOC (12) Cl.** **28-03**

(52) **U.S. Cl.**
USPC **D28/85**

(58) **Field of Classification Search**
USPC D28/9-10, 44, 57, 60, 77.1, 81, 85;
206/77.1; 510/140-141; D19/108, 187;
D9/428, 726-729; D6/515; 220/259
CPC A45D 2200/05; A45D 2040/228; A45D
2040/0025; A45D 40/222; A45D 40/221;
A45D 40/00

See application file for complete search history.

(56) **References Cited**

U.S. PATENT DOCUMENTS

- 84,655 A * 12/1868 Thompson A45C 11/24
206/37
 - 556,681 A * 3/1896 Landers B43L 19/00
15/425
 - 829,327 A * 8/1906 Crisp B43L 19/00
15/425
 - D95,769 S * 5/1935 Meilner D19/187
- (Continued)

FOREIGN PATENT DOCUMENTS

- CN 301840376 * 2/2012
- WO WO-D058093-002 * 1/2002

OTHER PUBLICATIONS

Wax packaging for cheese, Babybel, posted at cheese.com, posted by Matthew Bellemare et. al., various images from Nov. 17, 2014 and Jan. 16, 2015 © 2018 © Worldnews, Inc. , online, site visited Aug. 18, 2018. Available from Internet, URL: <https://www.cheese.com/babybel/#> (Year: 2015).*

(Continued)

Primary Examiner — Shannon W Morgan

Assistant Examiner — Altaira J Swangin

(74) *Attorney, Agent, or Firm* — Lerner, David,
Littenberg, Krumholz & Menlik, LLP

(57) **CLAIM**

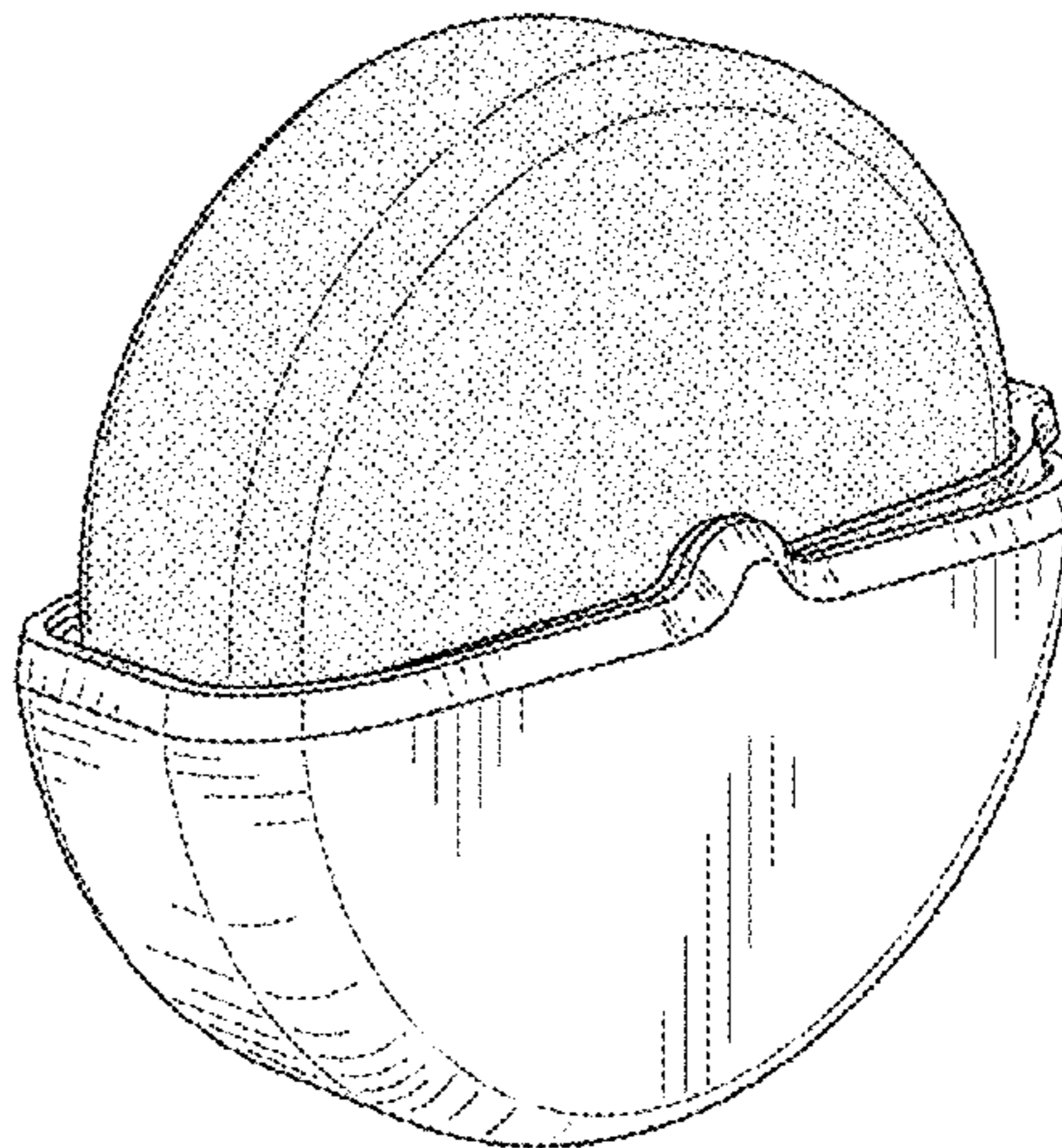
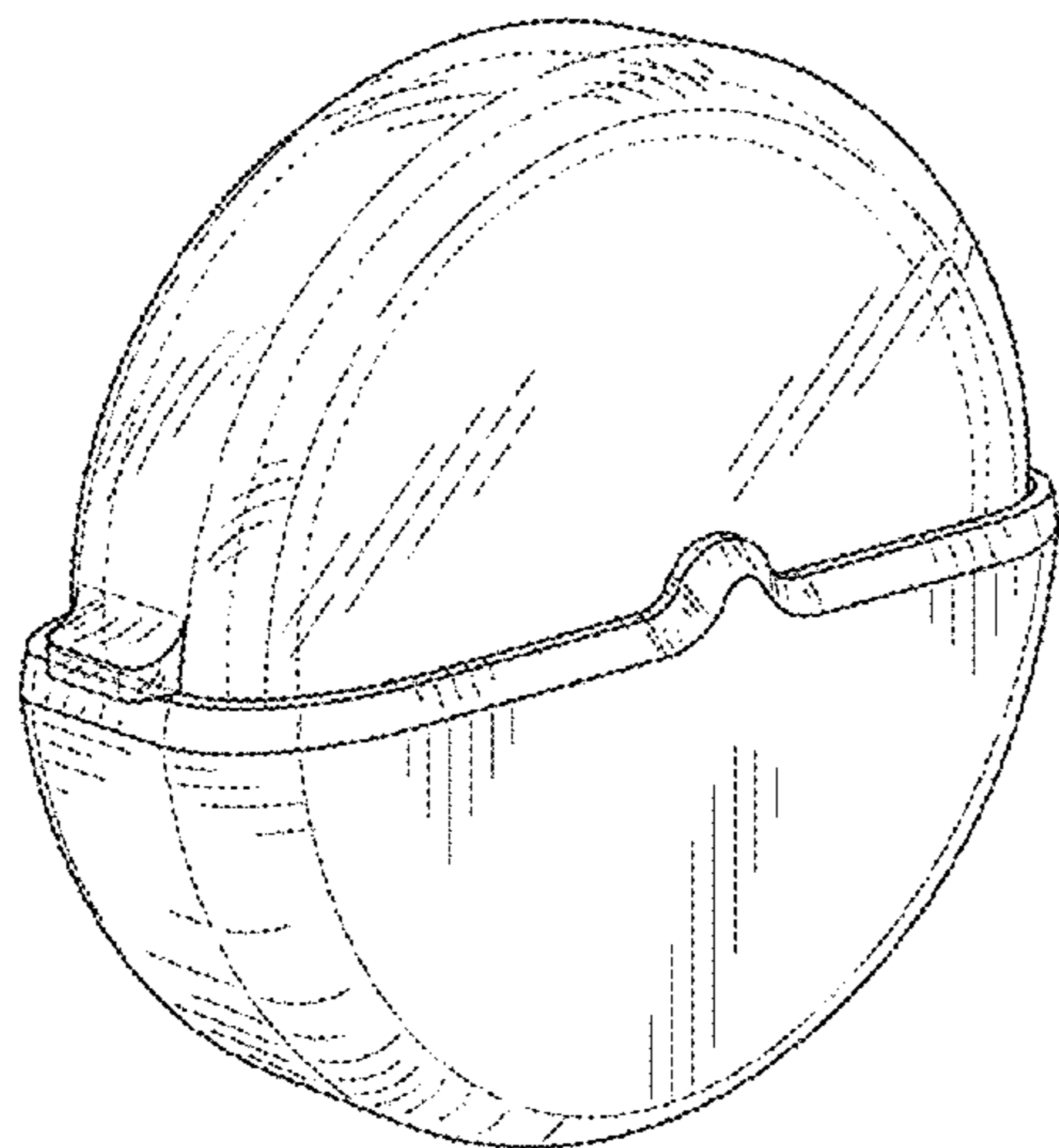
The ornamental design for a lip balm container, as shown and described.

DESCRIPTION

FIG. 1 is a front perspective view of the lip balm container; FIG. 2 is a front elevational view thereof; FIG. 3 is a rear elevational view thereof; FIG. 4 is right side elevational view thereof; FIG. 5 is a left side elevational view thereof; FIG. 6 is a top plan view thereof; FIG. 7 is a bottom plan view thereof; FIG. 8 is a front perspective view of a second embodiment of the lip balm container; FIG. 9 is a front elevational view of the embodiment shown in FIG. 8; FIG. 10 is a rear elevational view of the embodiment shown in FIG. 8; FIG. 11 is a right side elevational view of the embodiment shown in FIG. 8 (the left side being a mirror image of the right side elevational view); and, FIG. 12 is a top plan view of the embodiment shown in FIG. 8.

The broken lines show portions of the lip balm container that form no part of the claimed design.

1 Claim, 7 Drawing Sheets



(56)

References Cited

U.S. PATENT DOCUMENTS

2,276,047 A * 3/1942 Kurth A45D 40/00
401/19
2,625,292 A * 1/1953 Spender A45D 34/02
206/235
D189,076 S * 10/1960 Altman 128/203.12
4,459,058 A * 7/1984 Bennett A45D 40/00
401/82
D280,667 S * 9/1985 Bennett D28/7
D285,052 S * 8/1986 Bianchi D9/521
D309,433 S * 7/1990 Minuti D9/424
D339,819 S * 9/1993 Chen D18/15
D355,727 S * 2/1995 Bertolini D28/76
D360,788 S * 8/1995 Cousins D6/515
D426,852 S * 6/2000 Gstalder D19/73
D428,340 S * 7/2000 Herrmann D9/521
D435,225 S * 12/2000 Chan D10/62
D450,117 S * 11/2001 Braithwaite D24/110
D452,910 S * 1/2002 Braithwaite D24/110
D469,125 S * 1/2003 Jacquet D19/187
D474,964 S * 5/2003 Gersten D9/727
D475,618 S * 6/2003 Barnes D9/414
D479,689 S * 9/2003 Altonen D9/516
D505,865 S * 6/2005 Seizer D9/688
D518,171 S * 3/2006 Anderson D24/110
D534,794 S * 1/2007 Åkeson D27/175
7,195,414 B2 * 3/2007 Altonen A45D 34/04
220/213
D539,529 S * 4/2007 Oner D3/215
D561,022 S * 2/2008 Terrasi D9/424
D561,470 S * 2/2008 Jalet D3/294

D568,692 S * 5/2008 Lam D7/629
D590,444 S * 4/2009 Farnworth D19/189
D616,941 S * 6/2010 Bradfield D19/69
D624,829 S * 10/2010 Ramsey D9/687
7,886,395 B2 * 2/2011 Farnworth B43L 19/0025
15/105.53
D671,596 S * 11/2012 Ruthe-Steinsiek D19/69
8,528,789 B2 * 9/2013 Ramsey A45C 11/24
222/182
D733,287 S * 6/2015 Bilgic D24/110
D767,114 S * 9/2016 White D24/110
D768,239 S * 10/2016 Shen D19/187
D769,439 S * 10/2016 White D24/110
D780,850 S * 3/2017 Racamier D19/187
9,795,751 B2 * 10/2017 Bilgic A61M 15/0045
D806,858 S * 1/2018 Lu D24/110
D822,274 S * 7/2018 Almsberger D27/195
10,039,366 B1 * 8/2018 Facer A45D 40/24
2010/0282779 A1 * 11/2010 Ramsey A45C 11/24
222/182
2018/0020810 A1 * 1/2018 Eberlein A45D 40/221
2018/0332948 A1 * 11/2018 Kaplan A45D 40/221
2019/0075911 A1 * 3/2019 Rudman A45D 40/24

OTHER PUBLICATIONS

Zenoa Eraser, Maped, posted at cheese.com, author not listed, posted on Apr. 18, 2012 per wayback machine © Stubby Pencil Studio, online, site visited May 10, 2019. Available from Internet, URL: https://www.stubbypencilstudio.com/product/MAP_ZENOAERASER/Zenoa-Eraser/ (Year: 2012).*

* cited by examiner

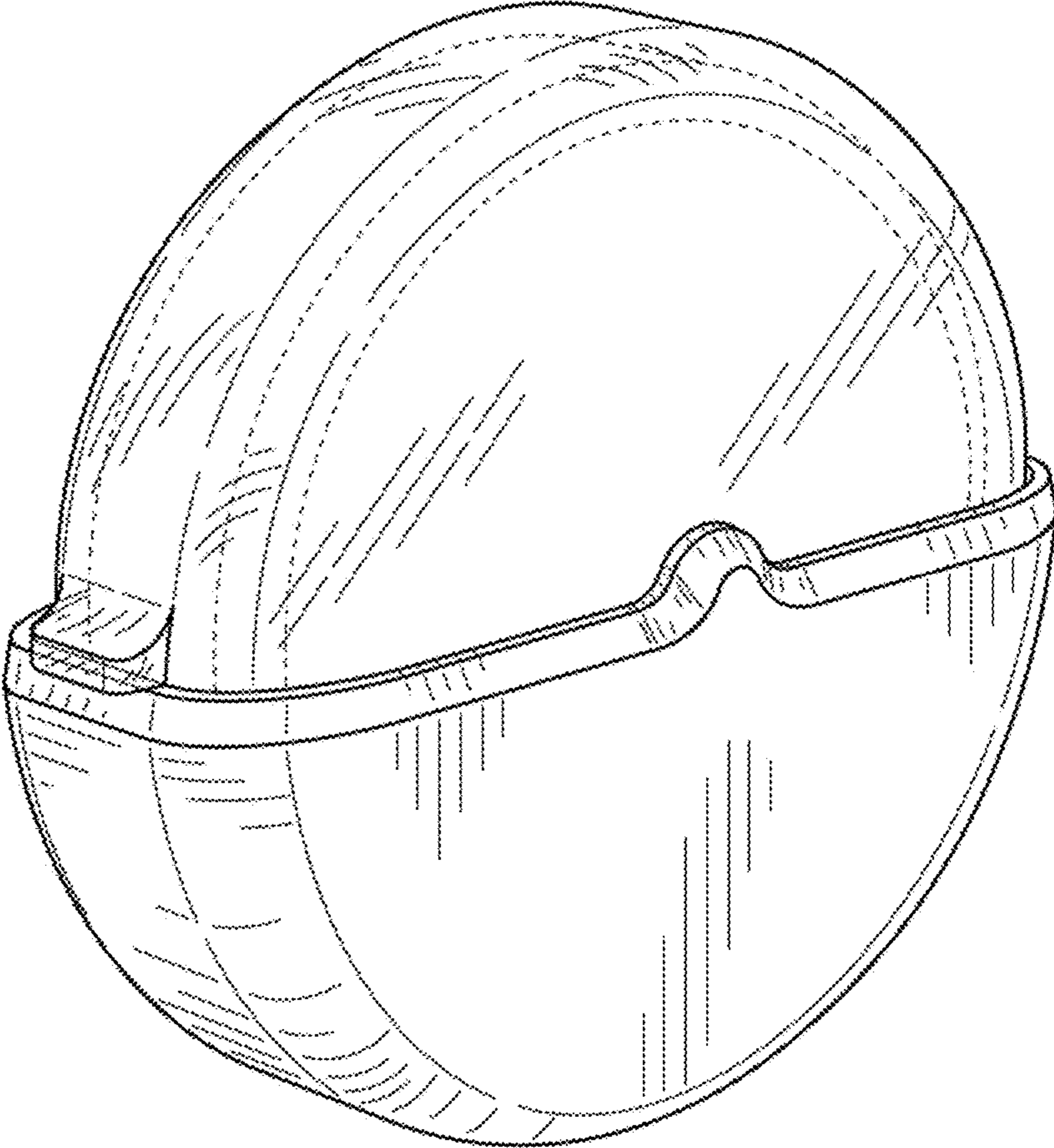


FIG. 1

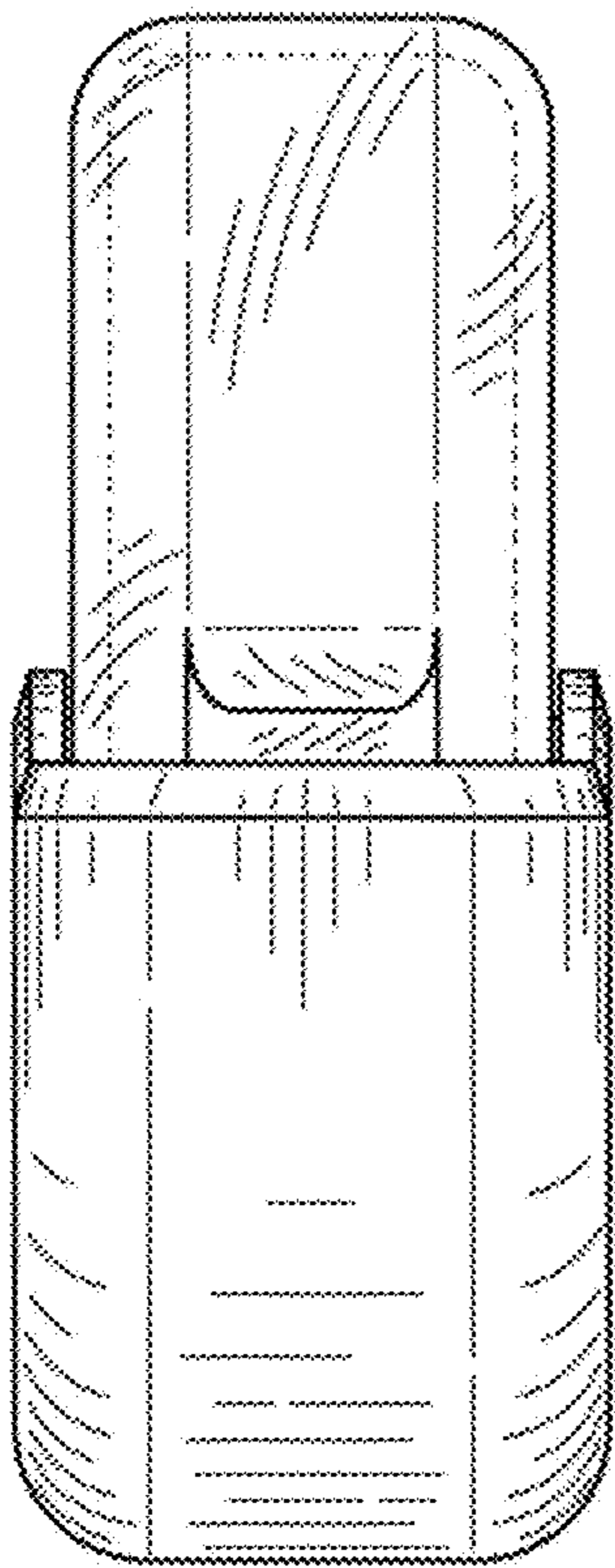


FIG. 2

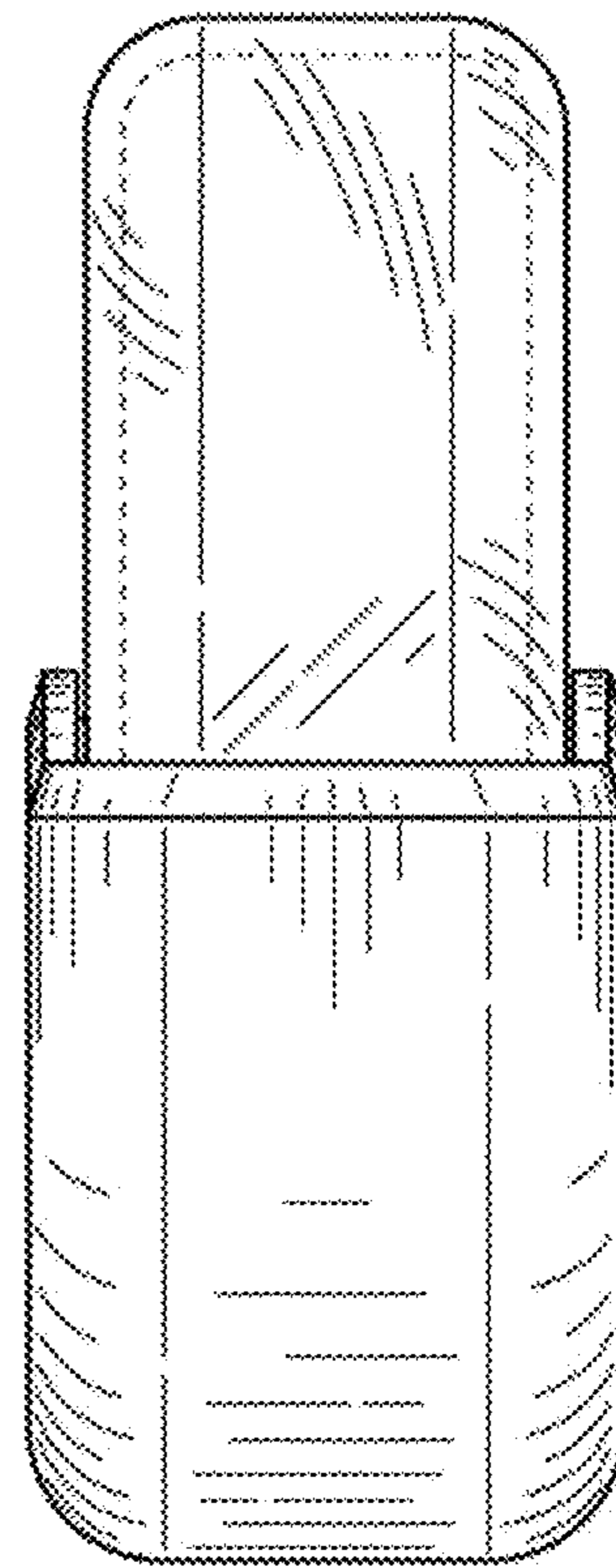


FIG. 3

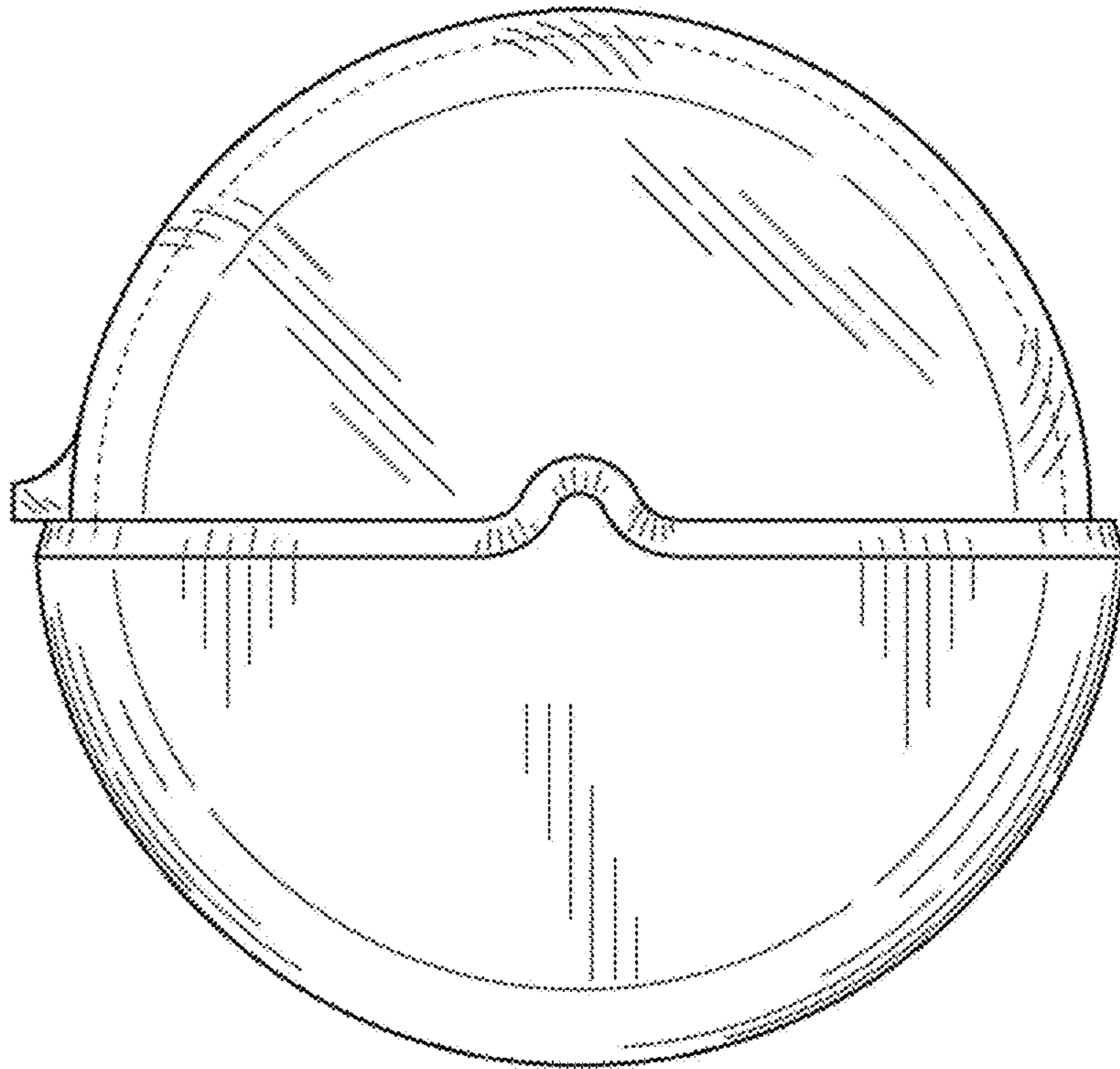


FIG. 4

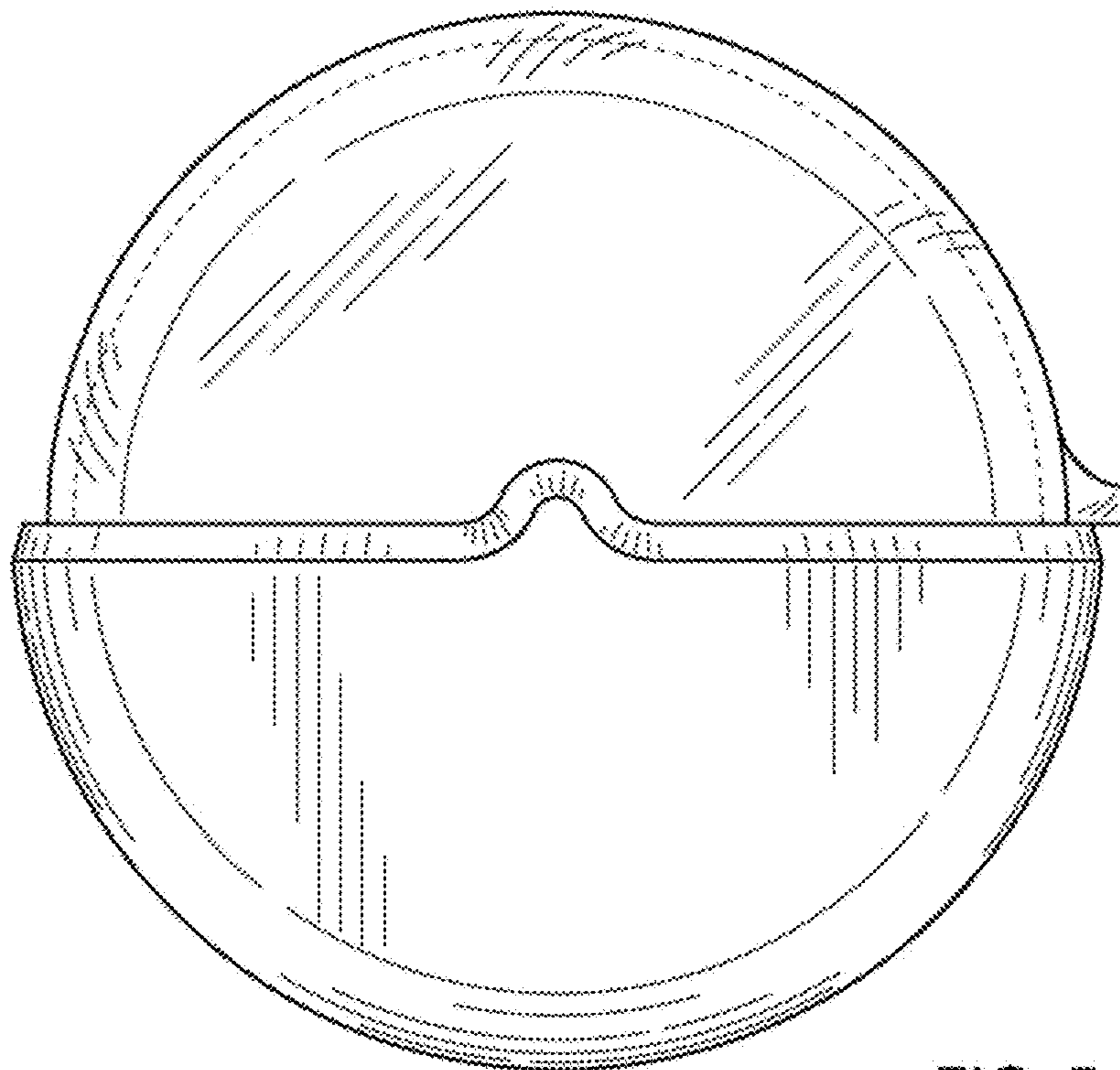


FIG. 5

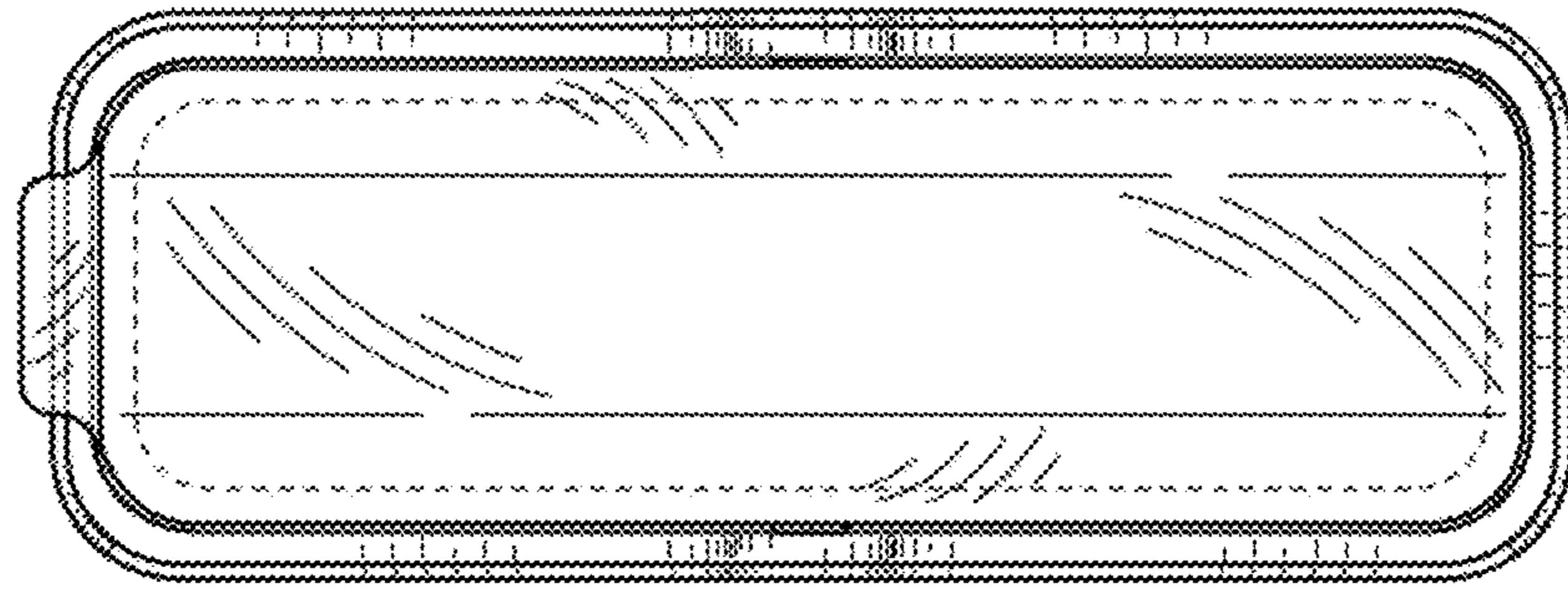


FIG. 6

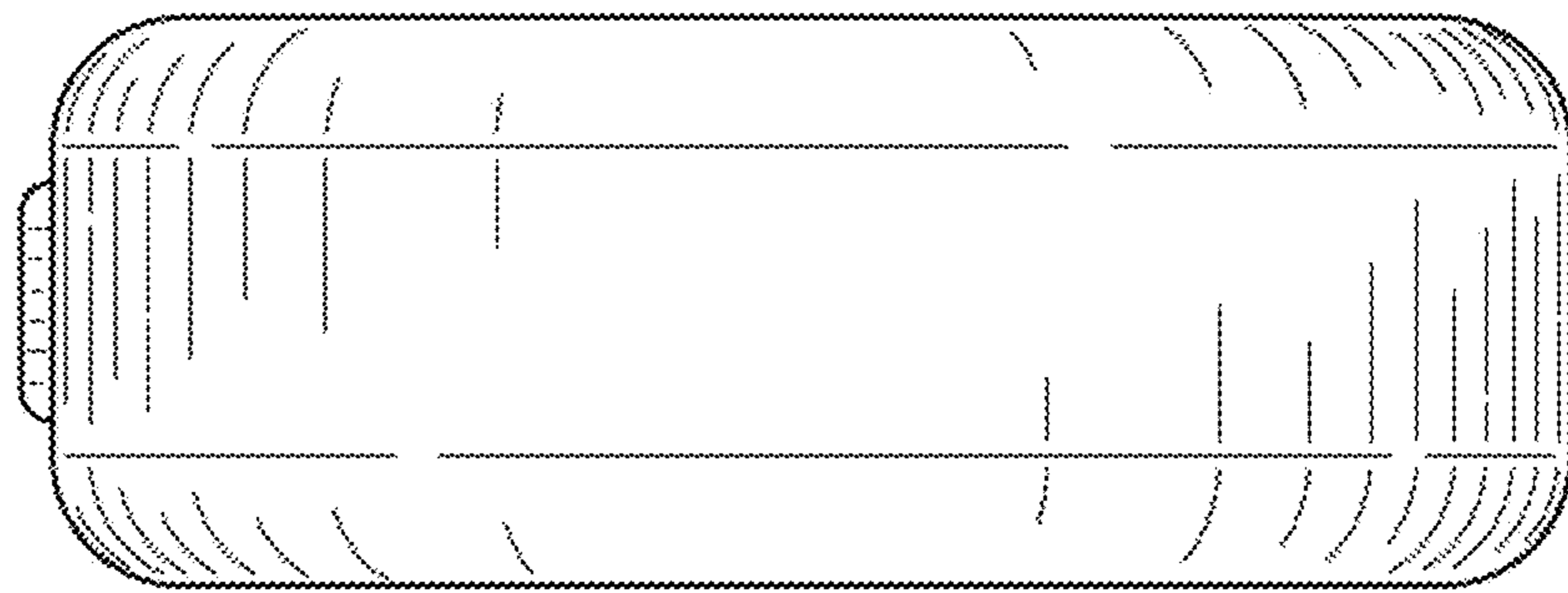


FIG. 7

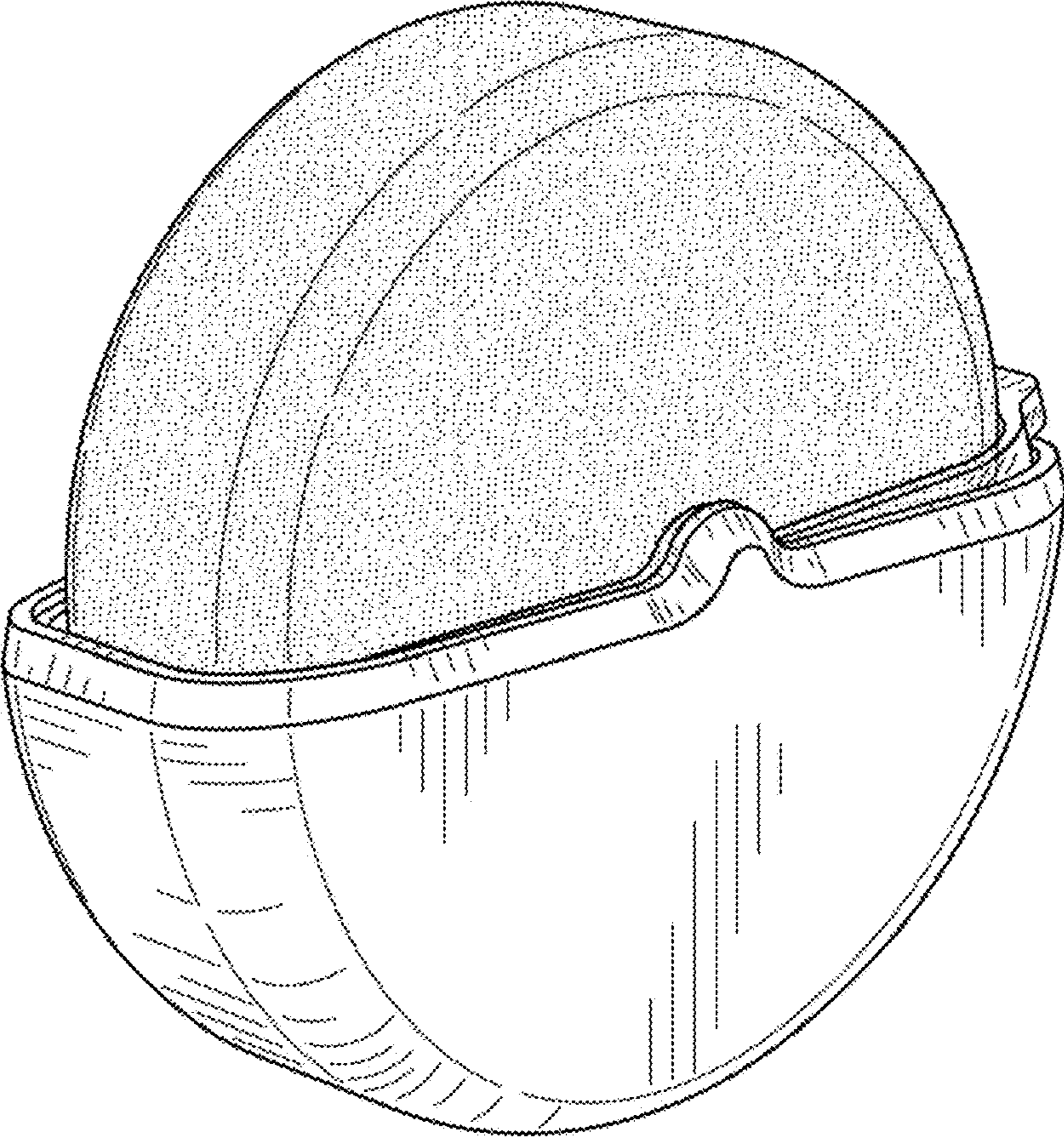


FIG. 8

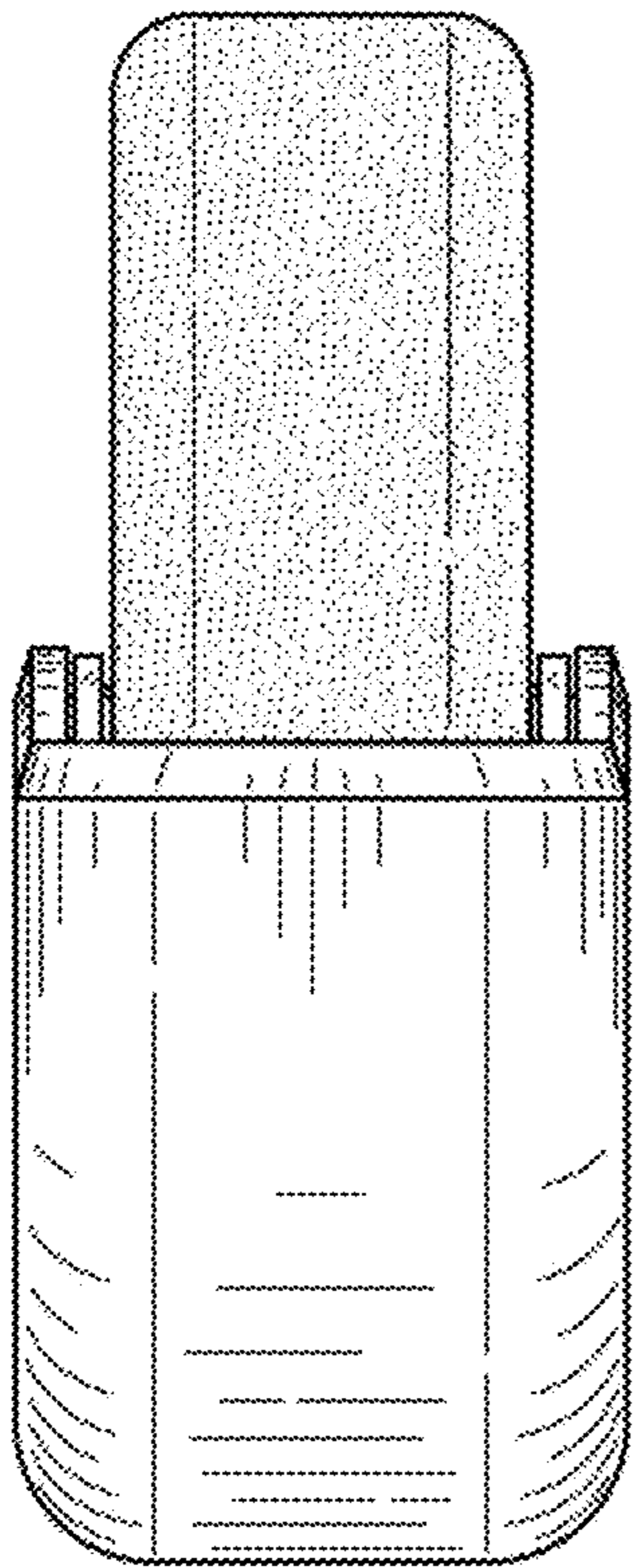


FIG. 9

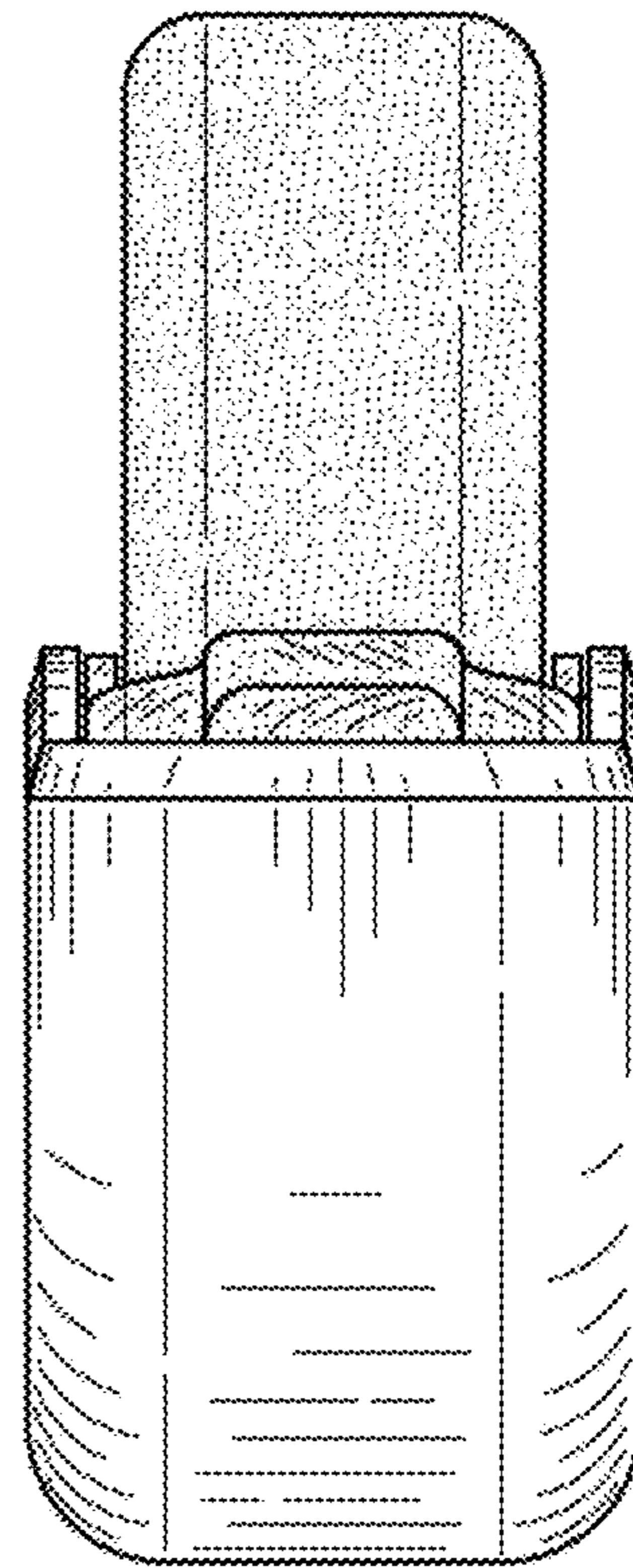


FIG. 10

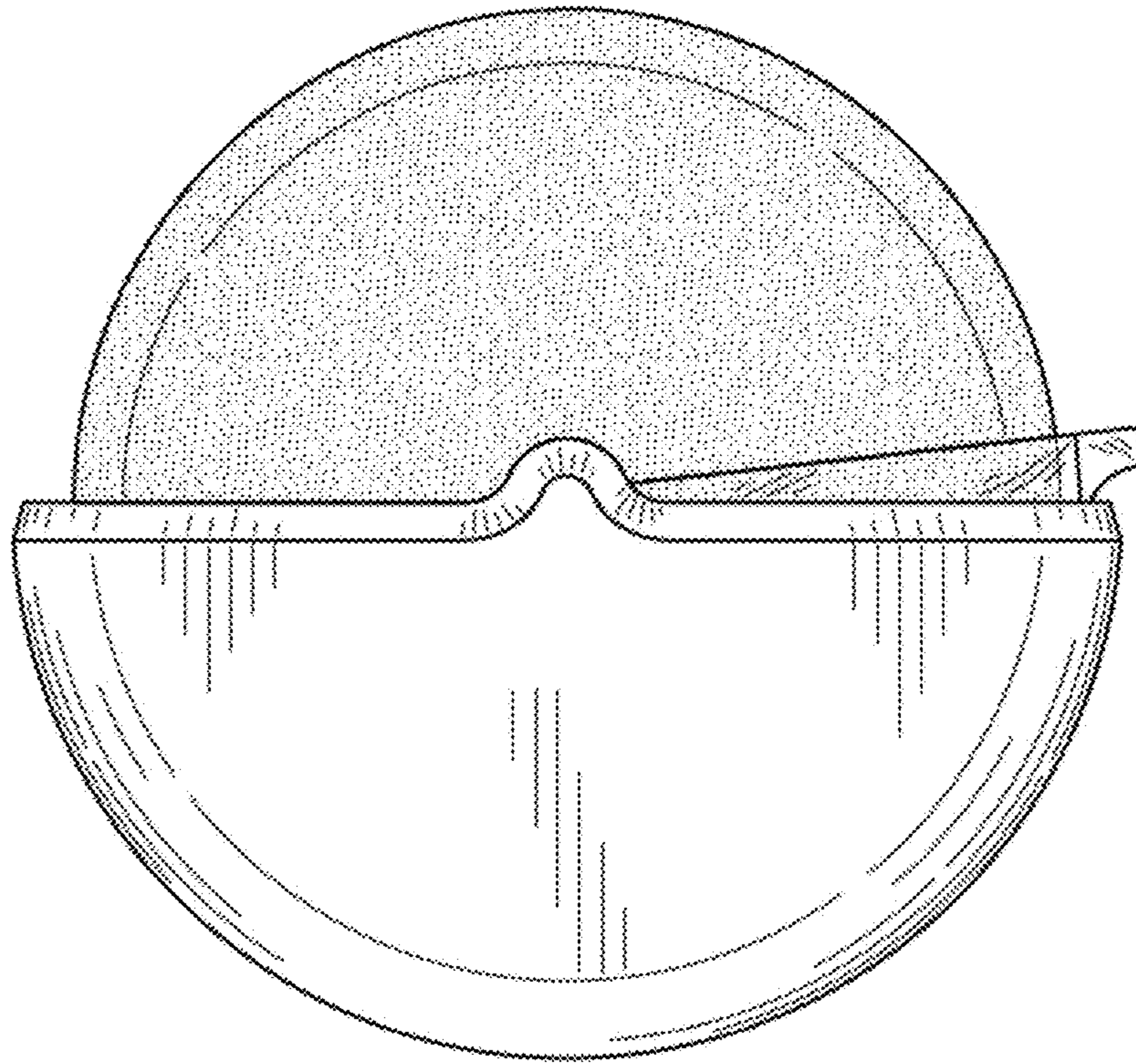


FIG. 11

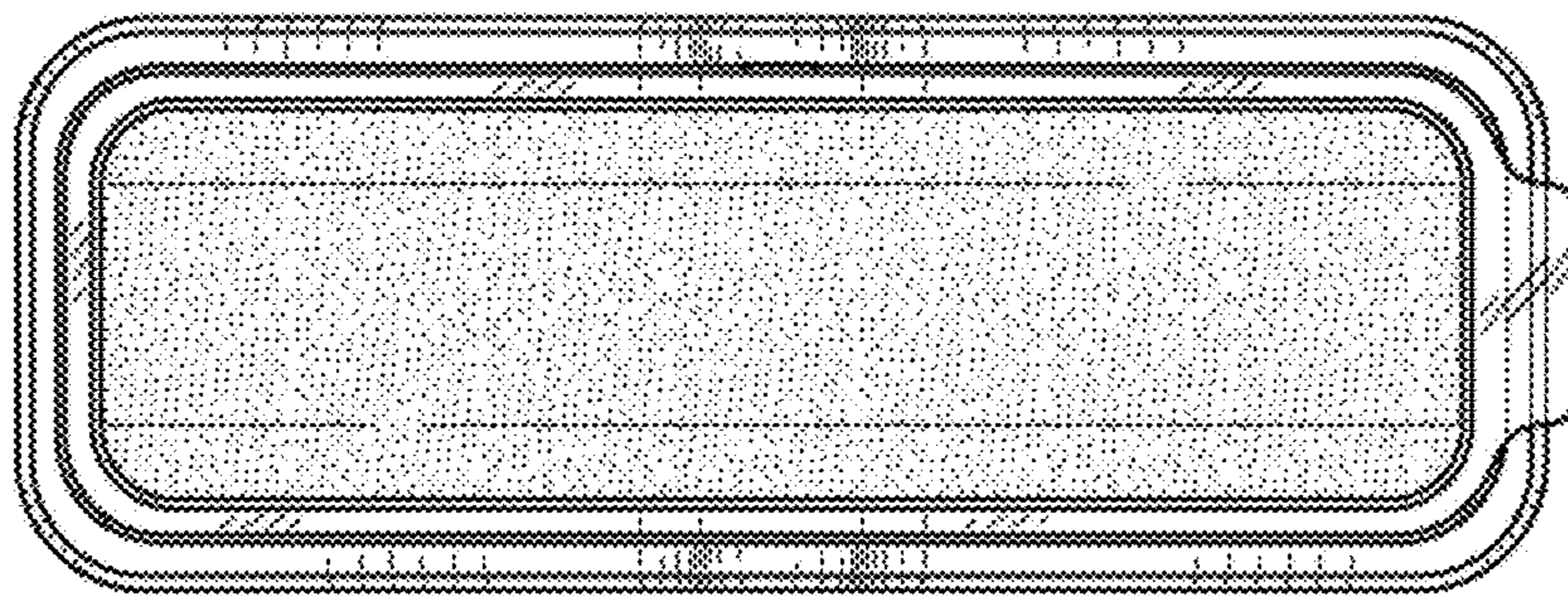


FIG. 12