



US00D864486S

(12) **United States Design Patent**  
**Kamboj**

(10) **Patent No.:** **US D864,486 S**

(45) **Date of Patent:** **\*\* Oct. 22, 2019**

(54) **HOLDER FOR COSMETICS AND APPLICATOR**

(71) Applicant: **Ejaz Kamboj**, Las Vegas, NV (US)

(72) Inventor: **Ejaz Kamboj**, Las Vegas, NV (US)

(\*\*) Term: **15 Years**

(21) Appl. No.: **29/584,334**

(22) Filed: **Nov. 14, 2016**

**Related U.S. Application Data**

(63) Continuation-in-part of application No. 14/946,722, filed on Nov. 19, 2015, now abandoned.

(51) **LOC (12) Cl.** ..... **28-03**

(52) **U.S. Cl.**  
USPC ..... **D28/73**

(58) **Field of Classification Search**  
USPC ..... D28/7, 76-77, 85, 73, 88; 132/216, 218, 132/318, 297; D3/205, 901; 206/581, 206/823; D9/723-724, 727  
CPC ..... A45D 40/00; A45D 2040/0012; A45D 2040/0025; A45D 2040/0037; A45D 2040/0043; A45D 34/06; A45D 40/205; A45D 40/207; A45D 40/24; A45D 34/00; A45D 2040/0062

See application file for complete search history.

(56) **References Cited**

**U.S. PATENT DOCUMENTS**

432,305 A	7/1890	Foley	
1,623,509 A	4/1927	Vivadou	
D91,742 S	3/1934	Tarr	
2,142,312 A	1/1939	Heinz	
D127,331 S	5/1941	Rosenfeld	
D128,936 S *	8/1941	Foley	206/540
2,892,540 A	6/1959	Tupper	
3,001,531 A	9/1961	Gazdik	
3,187,757 A *	6/1965	Jones, Jr.	A45C 11/008 132/314

3,320,962 A	5/1967	Moriber et al.
D214,224 S	5/1969	Levine
D241,318 S	9/1976	O'Brien et al.
4,194,619 A	3/1980	Schley

(Continued)

**FOREIGN PATENT DOCUMENTS**

EP	0663159	1/1995
JP	2987770	12/1999

(Continued)

**OTHER PUBLICATIONS**

International Search Report issued for PCT/US2017-013976, dated May 2, 2017.

(Continued)

*Primary Examiner* — Shannon W Morgan  
*Assistant Examiner* — Altaira J Swangin  
(74) *Attorney, Agent, or Firm* — Weide & Miller, Ltd.

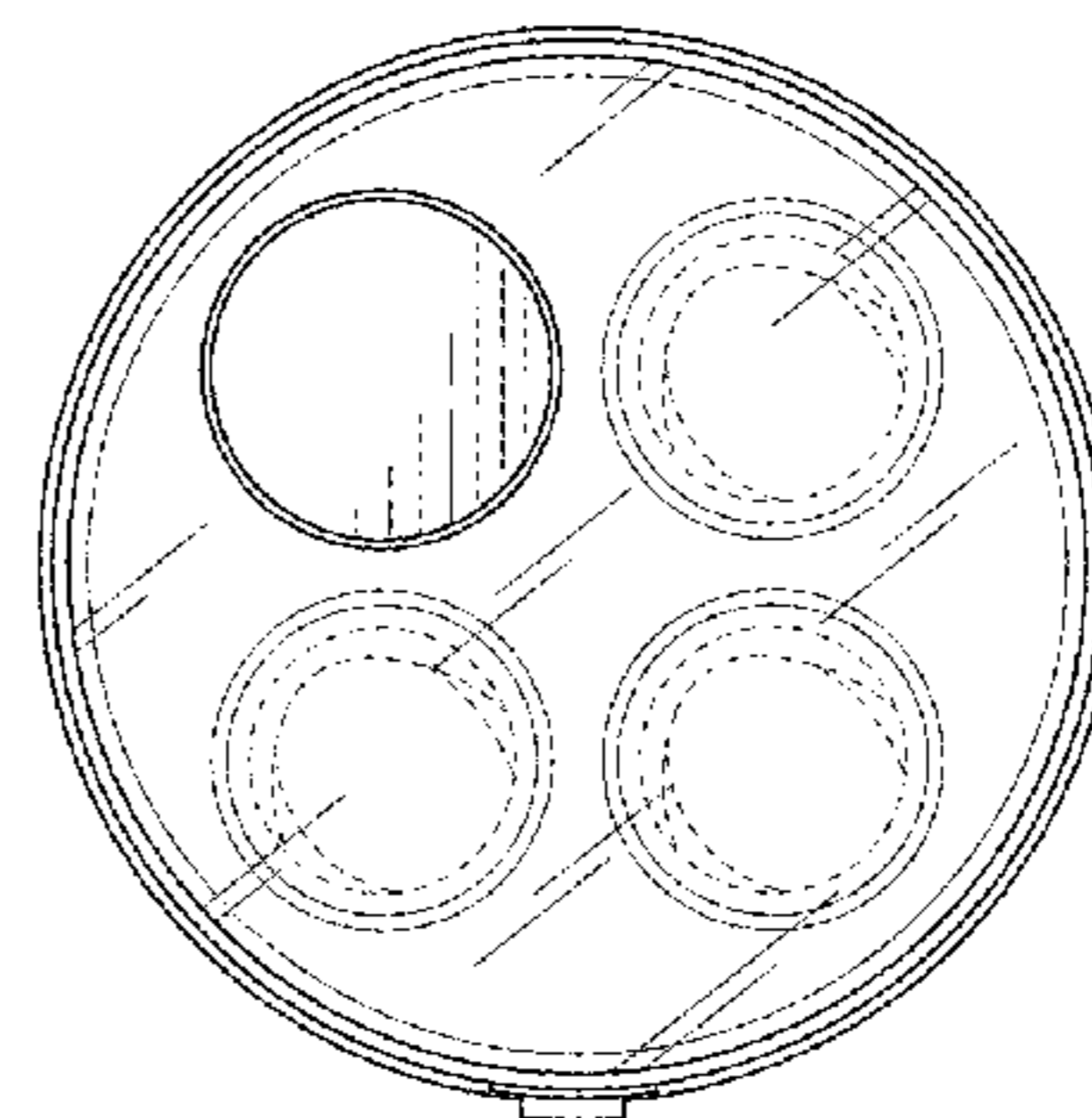
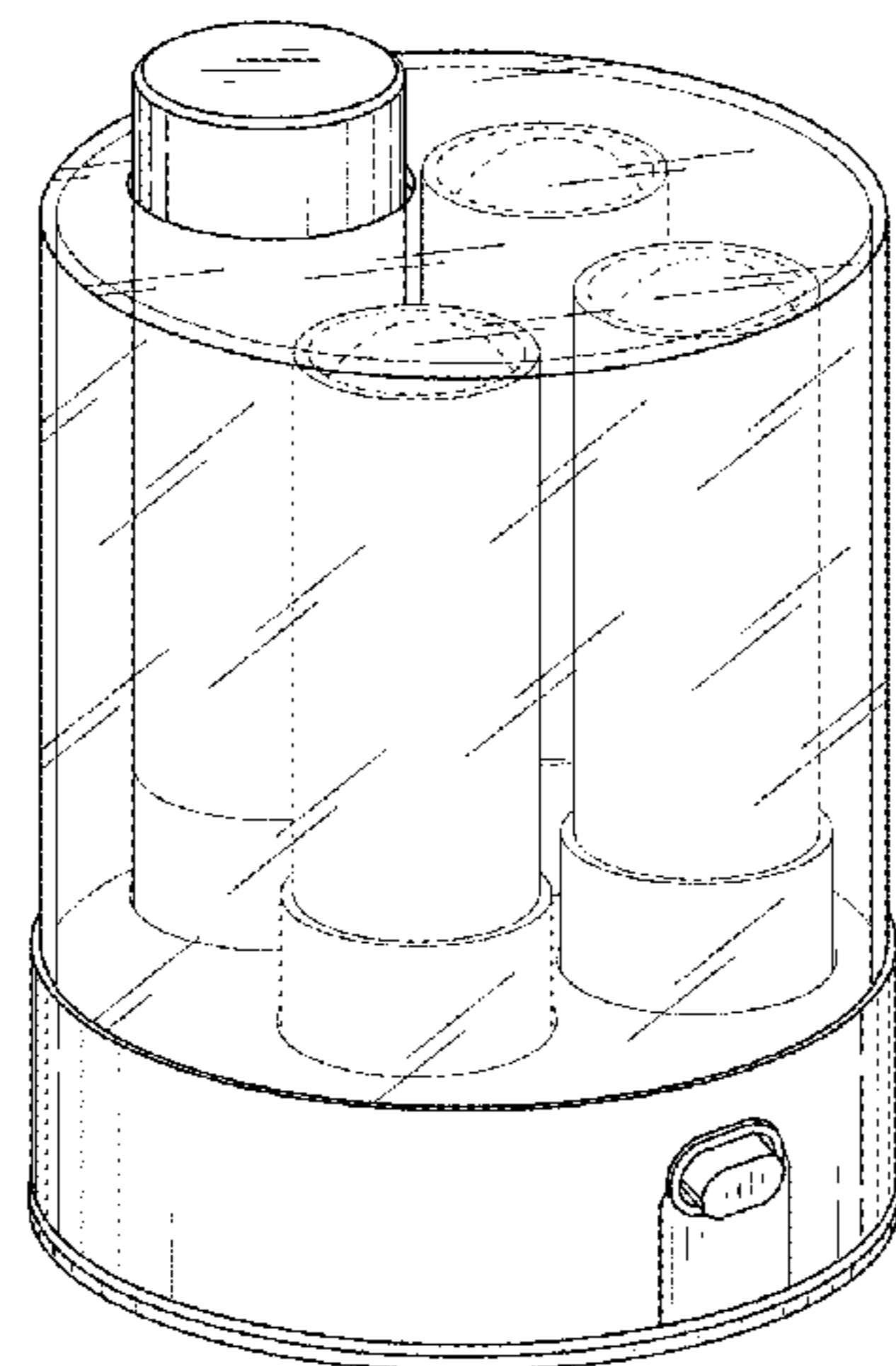
(57) **CLAIM**

The ornamental design for a holder for cosmetics and applicator, as shown and described.

**DESCRIPTION**

FIG. 1 is a top, left perspective view of a holder for cosmetics and applicator showing the new design. FIG. 2 is a top view of the design shown in FIG. 1. FIG. 3 is a bottom view of the design shown in FIG. 1. FIG. 4 is a left-side view of the design shown in FIG. 1. FIG. 5 is a front view of the design shown in FIG. 1. FIG. 6 is a right-side view of the design shown in FIG. 1; and, FIG. 7 is a rear view of the design shown in FIG. 1. The broken lines shown depict portions of the holder for cosmetics and applicator which form no part of the claimed design.

**1 Claim, 2 Drawing Sheets**



(56)

References Cited

U.S. PATENT DOCUMENTS

D281,835 S \* 12/1985 Ali ..... D3/300  
 D292,887 S 11/1987 Schouten  
 5,065,778 A \* 11/1991 Terrell ..... A45D 29/007  
 132/73  
 5,109,877 A 5/1992 Takeda  
 D364,248 S 11/1995 Su  
 D366,730 S \* 1/1996 Chen ..... D28/86  
 5,682,653 A 11/1997 Berglof  
 D397,828 S \* 9/1998 Kip ..... D28/38  
 5,901,859 A 5/1999 Carr  
 6,141,838 A 11/2000 Cooper  
 D454,982 S \* 3/2002 Renfrew ..... D28/61  
 6,540,422 B2 4/2003 Torii  
 6,655,551 B2 12/2003 Manne  
 6,701,580 B1 3/2004 Bandyopadhyay  
 6,895,628 B1 5/2005 Anderson  
 D539,135 S 3/2007 Blasko  
 7,621,403 B2 11/2009 Althoff et al.  
 D610,310 S 2/2010 Helenowski  
 D628,077 S 11/2010 Lee  
 D638,475 S \* 5/2011 Hung ..... D19/85  
 7,938,268 B1 5/2011 Kuo  
 7,988,005 B2 \* 8/2011 Wagner ..... B44D 3/122  
 220/23.83  
 8,231,294 B2 7/2012 Grossnass et al.  
 8,381,932 B2 \* 2/2013 Wagner ..... B65D 21/0209  
 206/430  
 8,388,252 B2 3/2013 Thiebaut  
 D679,956 S \* 4/2013 Zemel ..... D7/601  
 8,579,529 B2 11/2013 Pechko et al.  
 8,616,390 B2 \* 12/2013 Kountotsis ..... B65D 81/3288  
 215/6  
 D701,000 S 3/2014 DiGirolamo  
 8,662,776 B2 3/2014 Porter et al.  
 D703,052 S \* 4/2014 Park ..... D9/503  
 D703,053 S \* 4/2014 Park ..... D9/503  
 D708,434 S \* 7/2014 Deeb ..... D3/203.3  
 D710,543 S \* 8/2014 Dittmer ..... D28/73  
 D735,945 S \* 8/2015 Reishus ..... D28/73  
 D761,022 S \* 7/2016 Wang ..... D3/293  
 D765,389 S \* 9/2016 Martin ..... D3/203.5  
 D774,368 S \* 12/2016 Gresham ..... D7/701  
 D777,575 S \* 1/2017 Harada ..... D9/500

D794,944 S \* 8/2017 Martin ..... D3/203.5  
 D806,392 S \* 1/2018 Glick ..... D3/315  
 D809,379 S \* 2/2018 Paige ..... D9/418  
 D810,581 S \* 2/2018 Shalev ..... D9/684  
 10,040,082 B1 \* 8/2018 Liu ..... A45D 40/0075  
 10,172,433 B2 \* 1/2019 Kikuchi ..... A45D 40/02  
 10,231,529 B2 \* 3/2019 Anderson ..... A45D 40/00  
 D845,786 S \* 4/2019 Campbell ..... D9/727  
 10,285,484 B2 \* 5/2019 Fish ..... F16B 1/00  
 10,285,488 B2 \* 5/2019 Villarreal ..... A45D 40/0075  
 10,306,967 B2 \* 6/2019 Villarreal ..... A45D 34/04  
 2003/0168377 A1 9/2003 Gorvett  
 2004/0045840 A1 3/2004 Gagnon  
 2006/0076259 A1 4/2006 Browder  
 2006/0108251 A1 5/2006 Sherrer  
 2007/0280772 A1 12/2007 Mika  
 2009/0232579 A1 9/2009 Obereisenbuchner et al.  
 2010/0025280 A1 2/2010 Palmer  
 2014/0096801 A1 \* 4/2014 McCormick ..... B08B 11/02  
 134/115 R  
 2014/0238434 A1 8/2014 De Beaute  
 2014/0261532 A1 9/2014 Saman  
 2014/0299151 A1 10/2014 Stroud  
 2015/0045702 A1 \* 2/2015 Lin ..... A61N 5/0616  
 601/19  
 2016/0135567 A1 \* 5/2016 Kamboj ..... A45D 34/00  
 132/314  
 2017/0265623 A1 \* 9/2017 Kamboj ..... A45D 40/24  
 2018/0042372 A1 \* 2/2018 Lim ..... A46B 17/04  
 2019/0038003 A1 \* 2/2019 Castex ..... A45D 40/06  
 2019/0053603 A1 \* 2/2019 Kamitani ..... A45D 34/00  
 2019/0059549 A1 \* 2/2019 Byun ..... A45D 34/00  
 2019/0183228 A1 \* 6/2019 Kwon ..... A45D 34/00

FOREIGN PATENT DOCUMENTS

JP 2004-024376 1/2004  
 KR 300890443-0000 \* 1/2017  
 WO WO 2011/095763 A1 8/2011

OTHER PUBLICATIONS

International Search Report issued for PCT/US2018/035904, dated Sep. 17, 2018.

\* cited by examiner

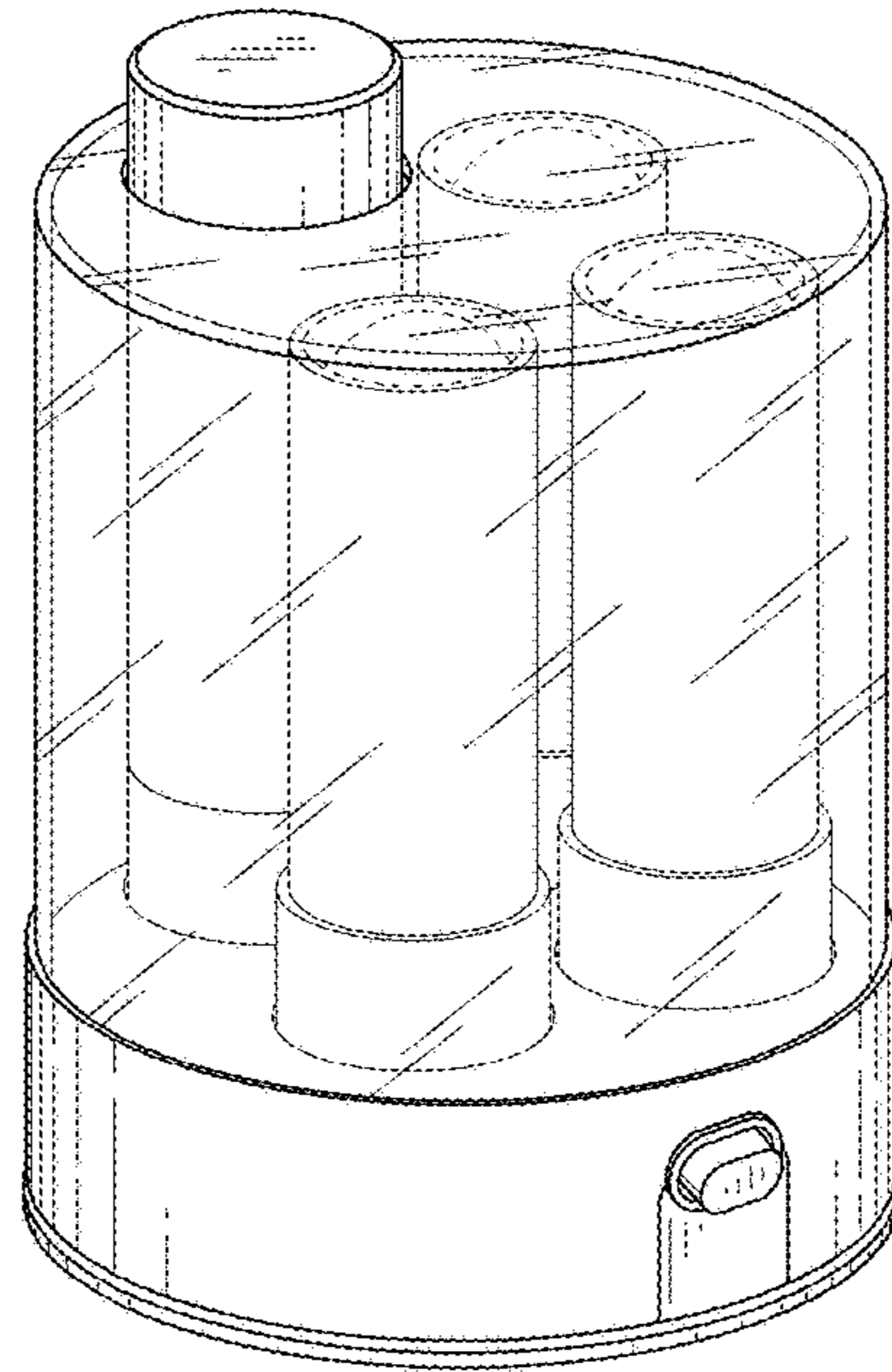


FIG. 1

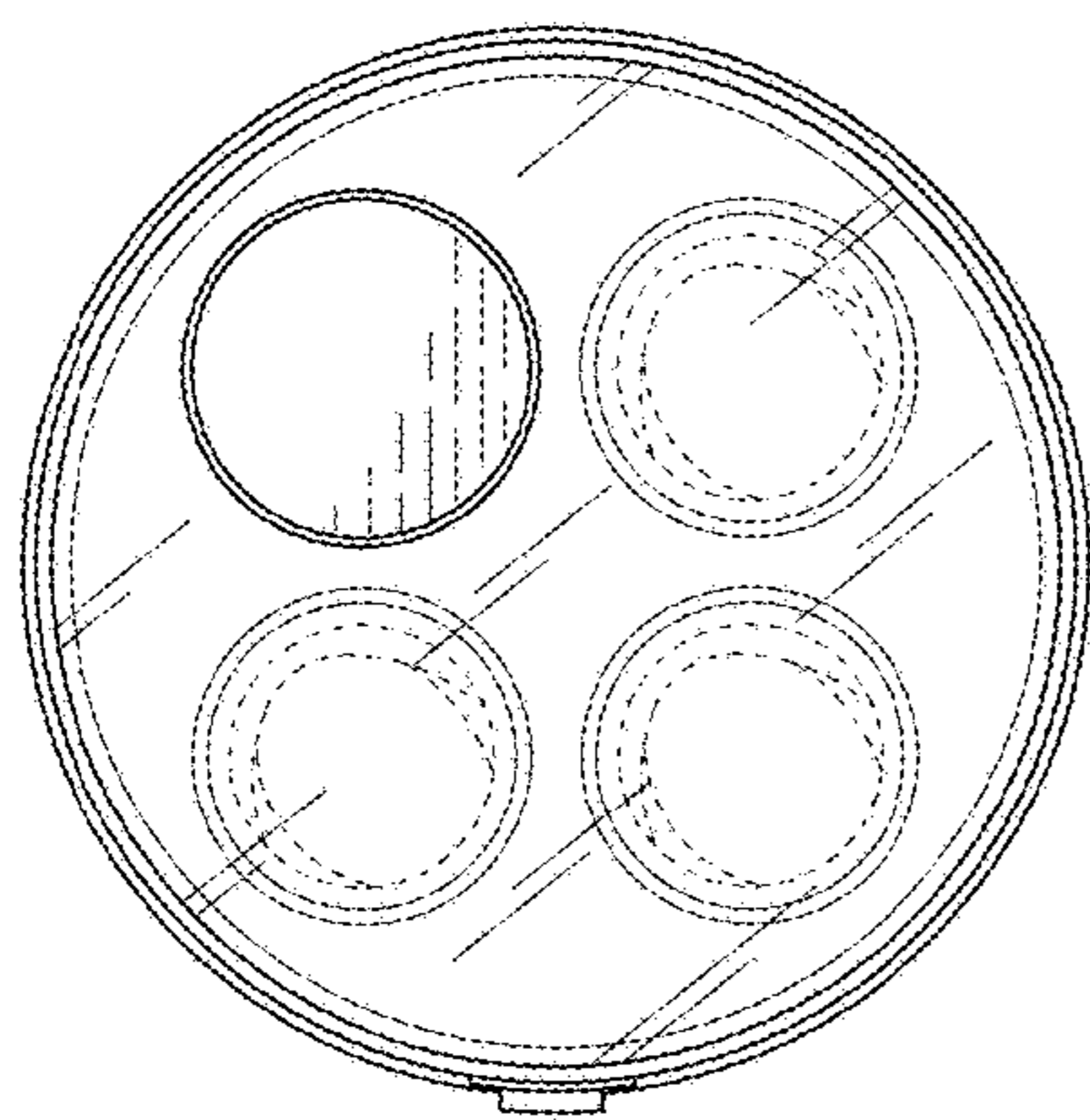


FIG. 2

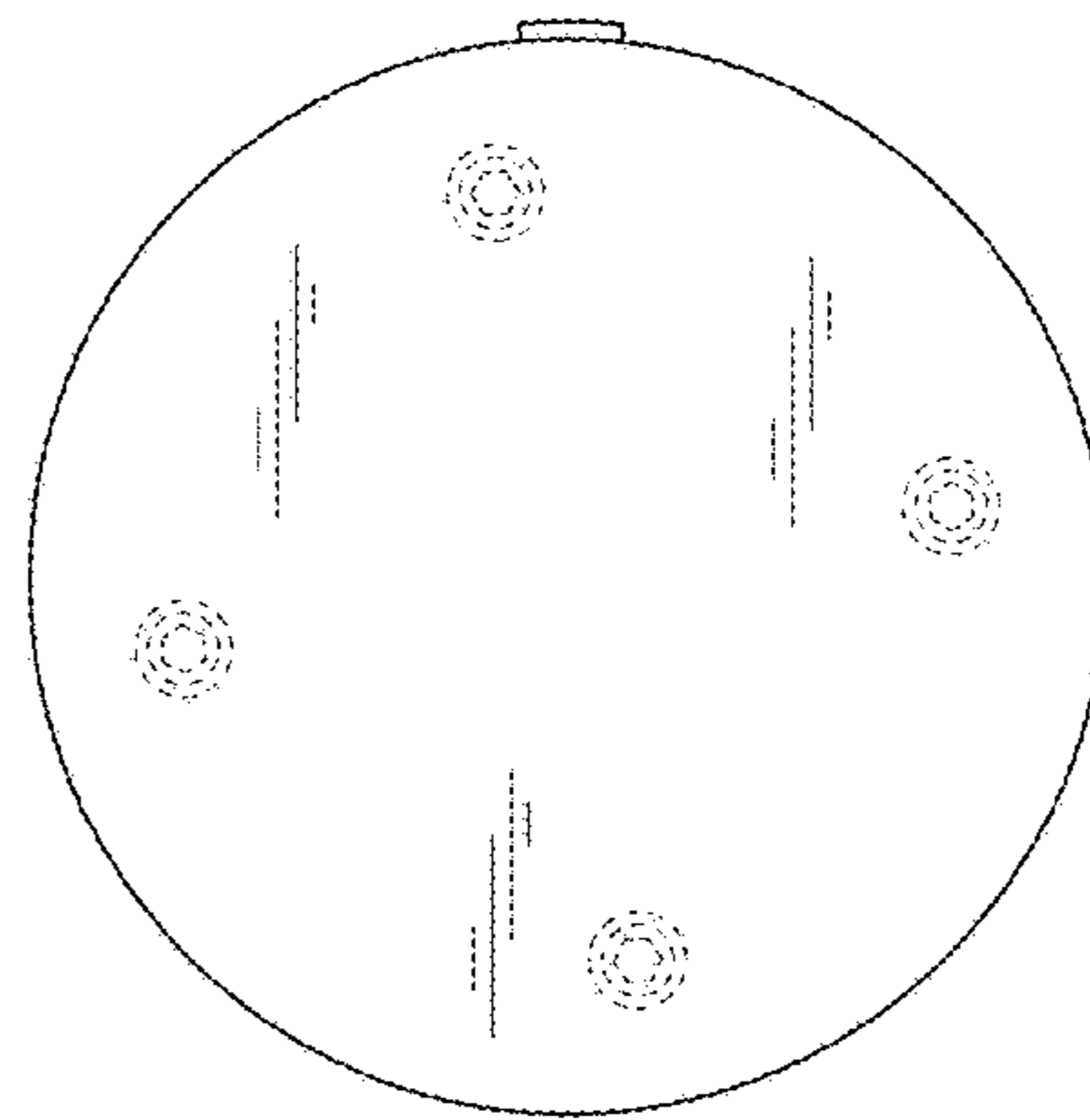


FIG. 3

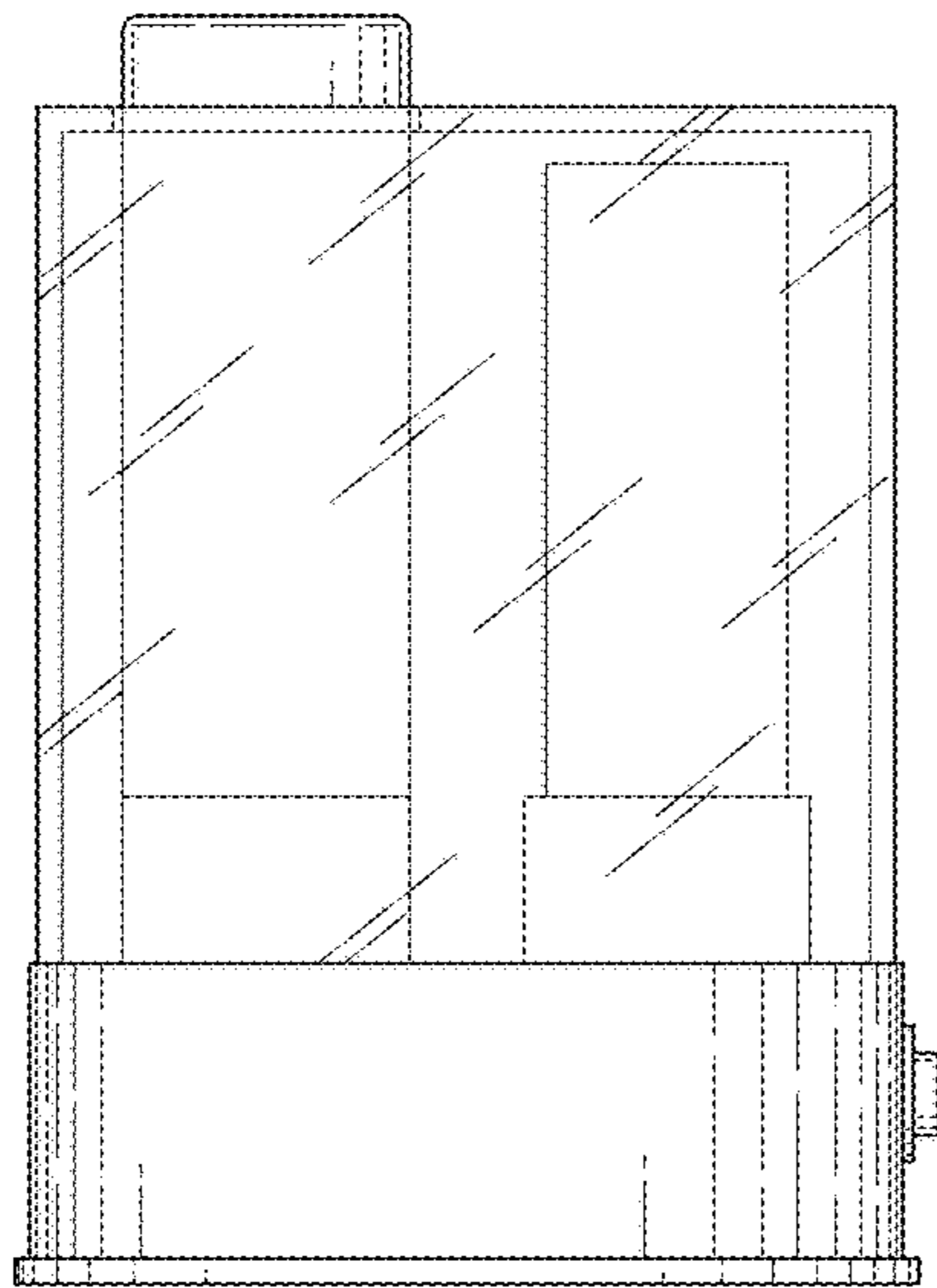


FIG. 4

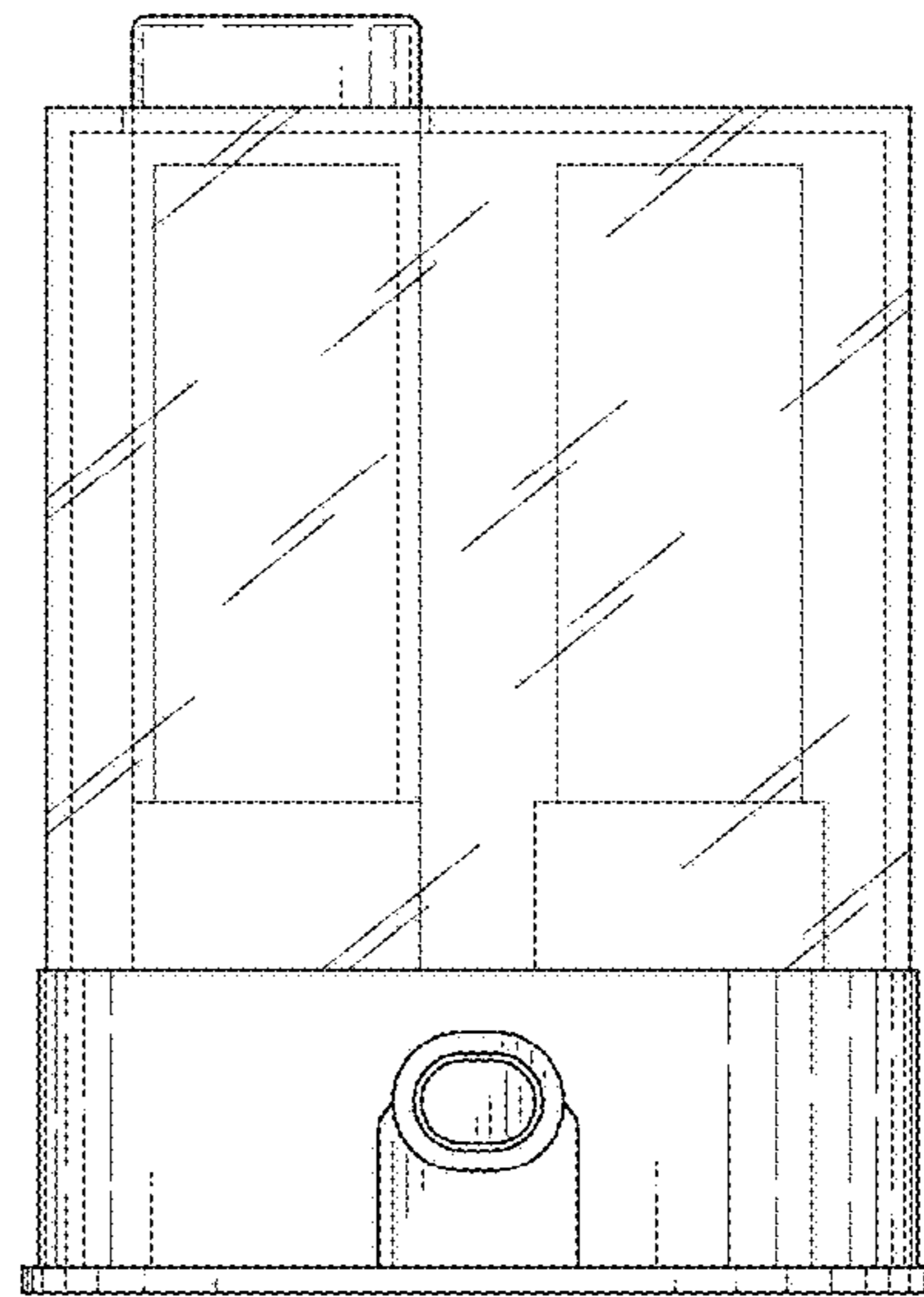


FIG. 5

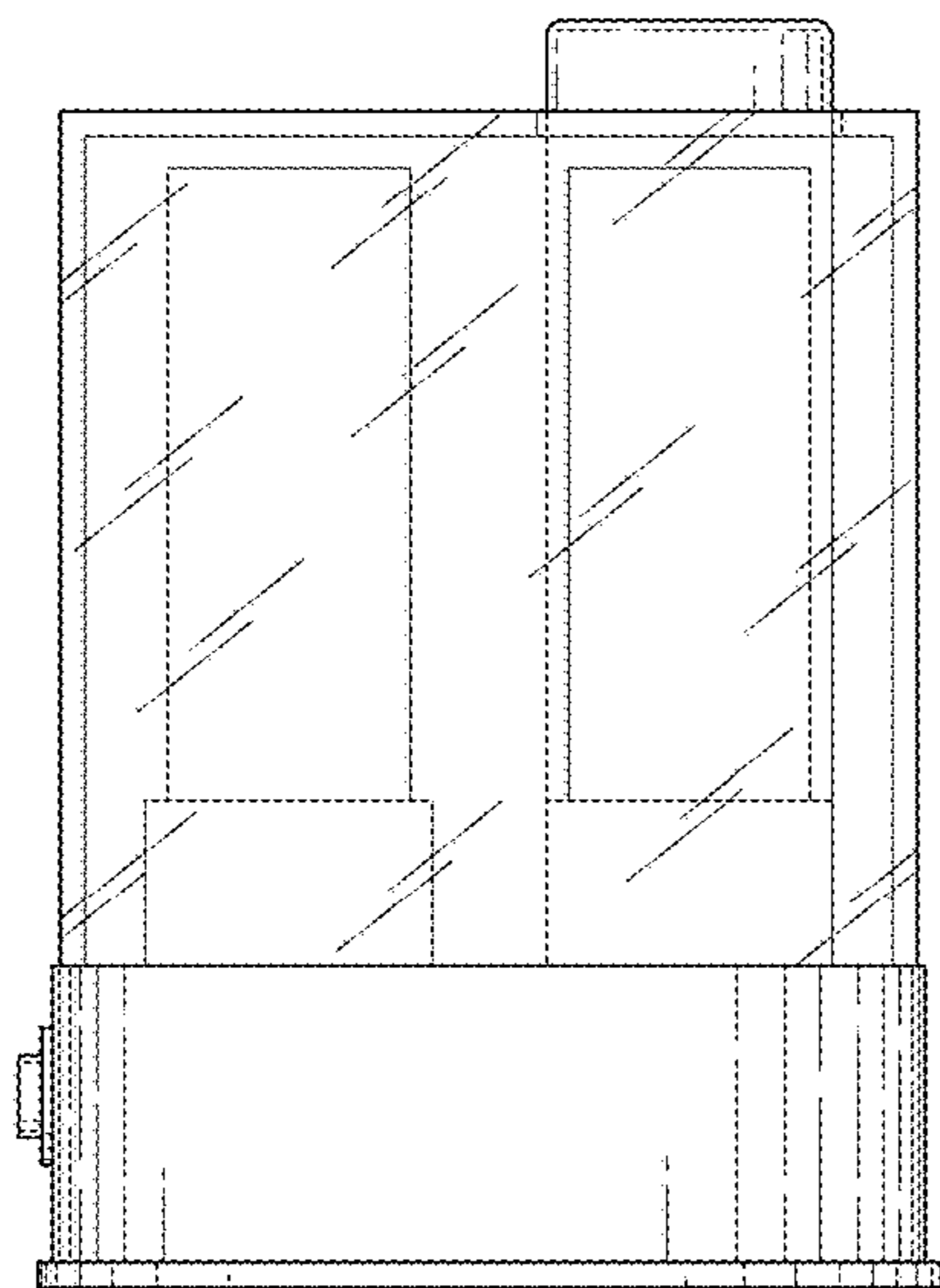


FIG. 6

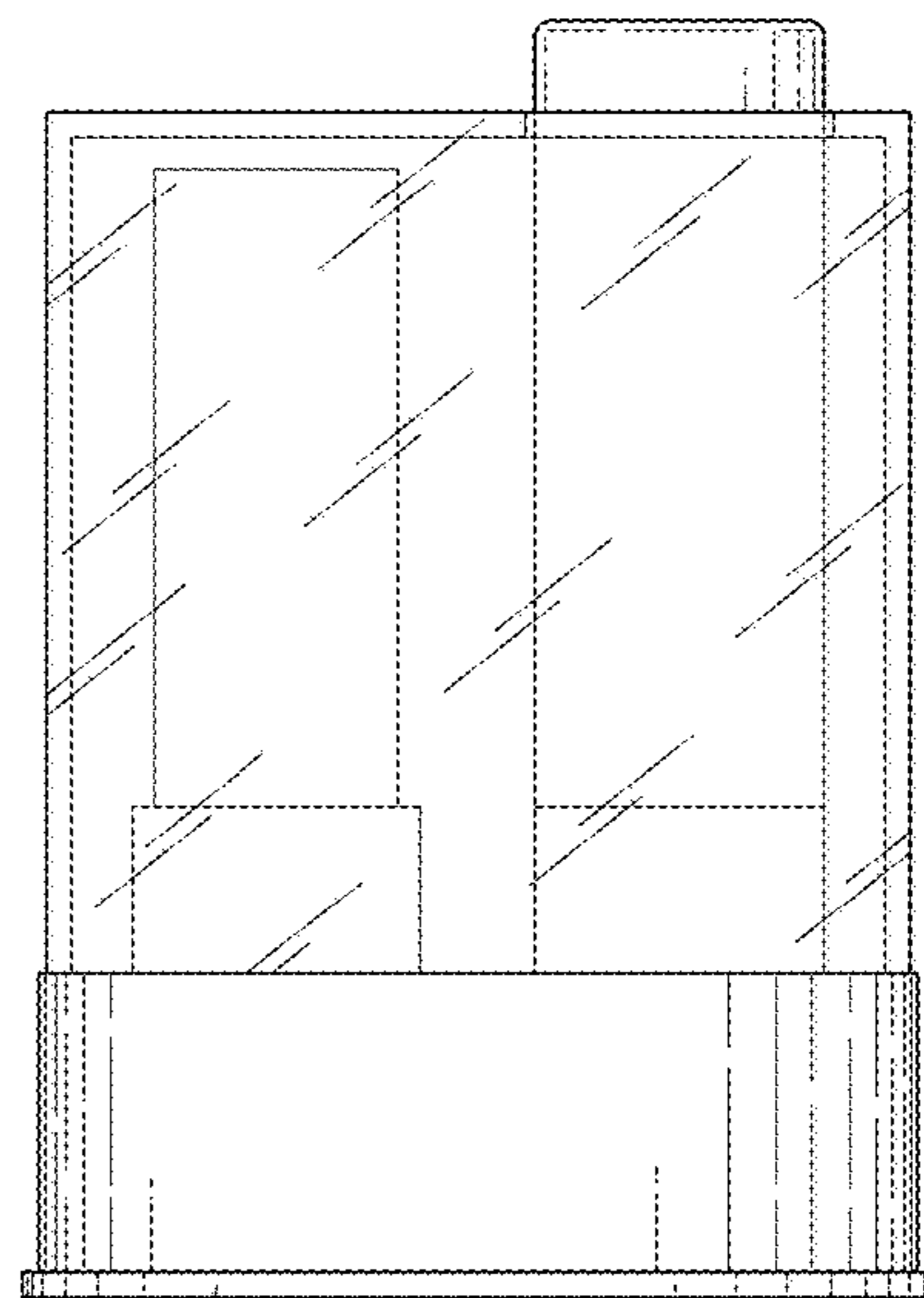


FIG. 7