

US00D864485S

(12) **United States Design Patent** (10) **Patent No.:** **US D864,485 S**
Ouyang et al. (45) **Date of Patent:** **** Oct. 22, 2019**

(54) **FINGERNAIL DRYER**
(71) Applicant: **SHENZHEN UVLED OPTICAL TECHNOLOGY CO., LTD.**, Shenzhen (CN)
(72) Inventors: **Chenyi Ouyang**, Shenzhen (CN); **Zhulin Bai**, Shenzhen (CN)
(73) Assignee: **SHENZHEN UVLED OPTICAL TECHNOLOGY CO., LTD.**, Shenzhen (CN)
(**) Term: **15 Years**

D751,761 S * 3/2016 Jih D28/54.1
D777,339 S * 1/2017 Chen D24/209
10,117,494 B1 * 11/2018 Luu A45D 29/00
D838,042 S * 1/2019 Ouyang D28/58
D838,043 S * 1/2019 Ouyang D28/58
D841,888 S * 2/2019 Ouyang D28/58
D842,546 S * 3/2019 Ouyang D28/58
D853,031 S * 7/2019 Ouyang D28/58
D853,032 S * 7/2019 Ouyang D28/58
(Continued)

(21) Appl. No.: **29/590,614**
(22) Filed: **Jan. 11, 2017**
(30) **Foreign Application Priority Data**
Dec. 20, 2016 (CN) 2016 3 0631020
(51) **LOC (12) Cl.** **28-03**
(52) **U.S. Cl.**
USPC **D28/58**
(58) **Field of Classification Search**
USPC D28/12, 19, 54.1, 57-58, 61, 78, 82, D28/88-89, 91; 34/90, 104, 202, 231; 250/455.11, 494.1, 515.1, 504, 504 R; 132/73-75; D6/353; D26/102, 120
CPC . F26B 9/003; F26B 3/28; A45D 29/22; A45D 29/20; A45D 2200/205
See application file for complete search history.

FOREIGN PATENT DOCUMENTS

CA 158964 * 6/2015
CN 304463353 * 1/2018
KR 300756063-0000 * 8/2014

OTHER PUBLICATIONS

SUN7 Nail Lamp, posted at uvled.tw, date and author not listed © 2009-2015 Shenzhen UVLED Optoelectronic Technology Co., Ltd., online, site visited Jun. 20, 2018. Available from Internet, URL: <http://www.uvled.tw/4045.html> (Year: 2018).*

Primary Examiner — Shannon W Morgan
Assistant Examiner — Altaira J Swangin

(57) **CLAIM**

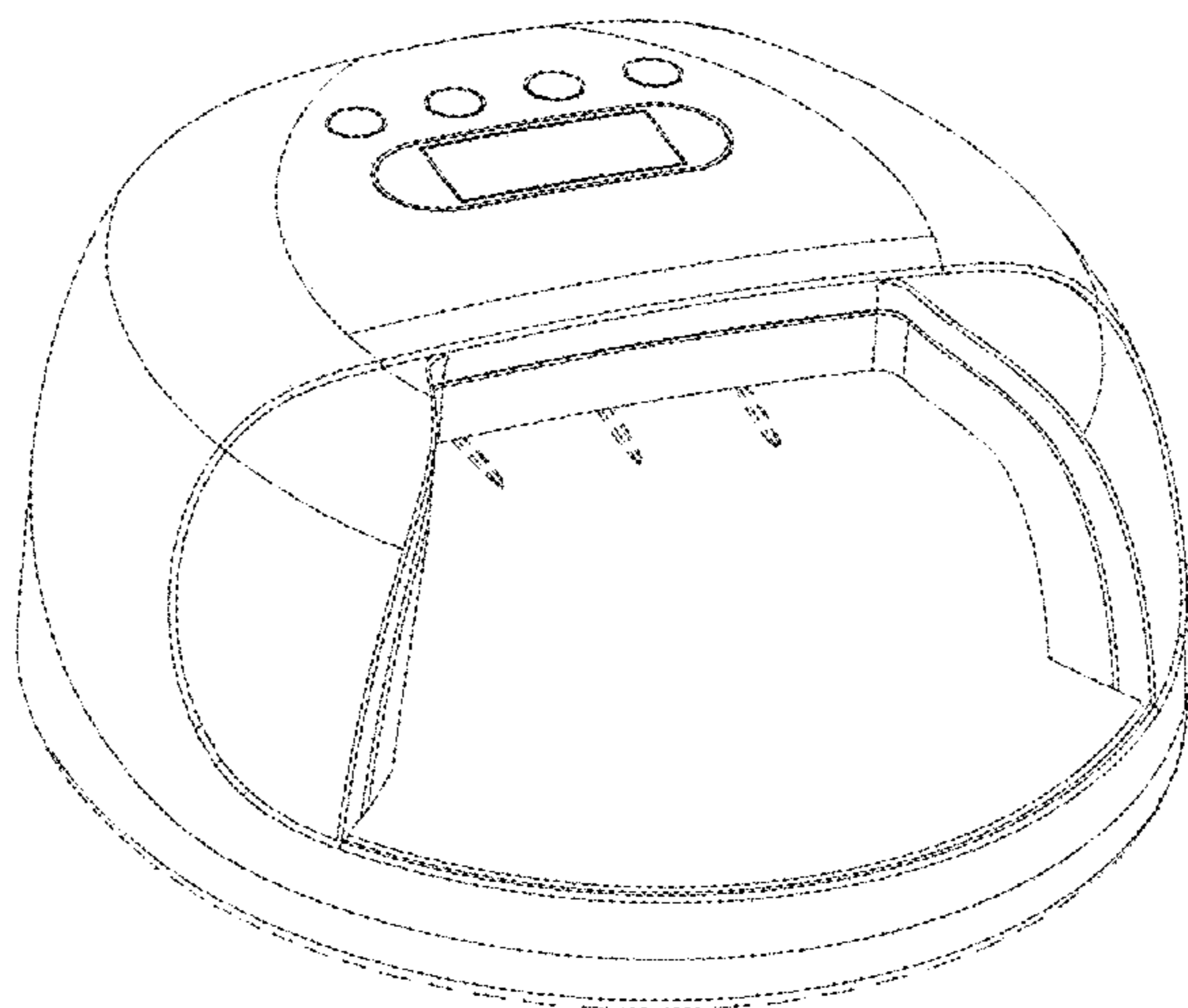
The ornamental design for a fingernail dryer, as shown and described.

DESCRIPTION

FIG. 1 is a front view of an ornamental design for a fingernail dryer showing our new design;
FIG. 2 is a rear view thereof;
FIG. 3 is a left side view thereof;
FIG. 4 is a right side view thereof;
FIG. 5 is a top plan view thereof;
FIG. 6 is a bottom plan view thereof; and,
FIG. 7 is a front, bottom, left perspective view thereof.
The portions of the fingernail dryer, shown in broken lines, form no part of the claimed design.

1 Claim, 7 Drawing Sheets

(56) **References Cited**
U.S. PATENT DOCUMENTS
2,218,296 A * 10/1940 Perras A45D 29/00
132/73
D680,272 S * 4/2013 Cheng D28/54.1
D685,949 S * 7/2013 Valia D28/54.1
D702,400 S * 4/2014 Valia D28/54.1
D747,828 S * 1/2016 Vu D28/54.1



(56)

References Cited

U.S. PATENT DOCUMENTS

2010/0293805 A1* 11/2010 Chang A45D 29/00
34/202
2016/0370113 A1* 12/2016 Valia A45D 29/00
2017/0343282 A1* 11/2017 Valia F26B 3/347
2019/0200721 A1* 7/2019 Hsieh A45D 29/00

* cited by examiner

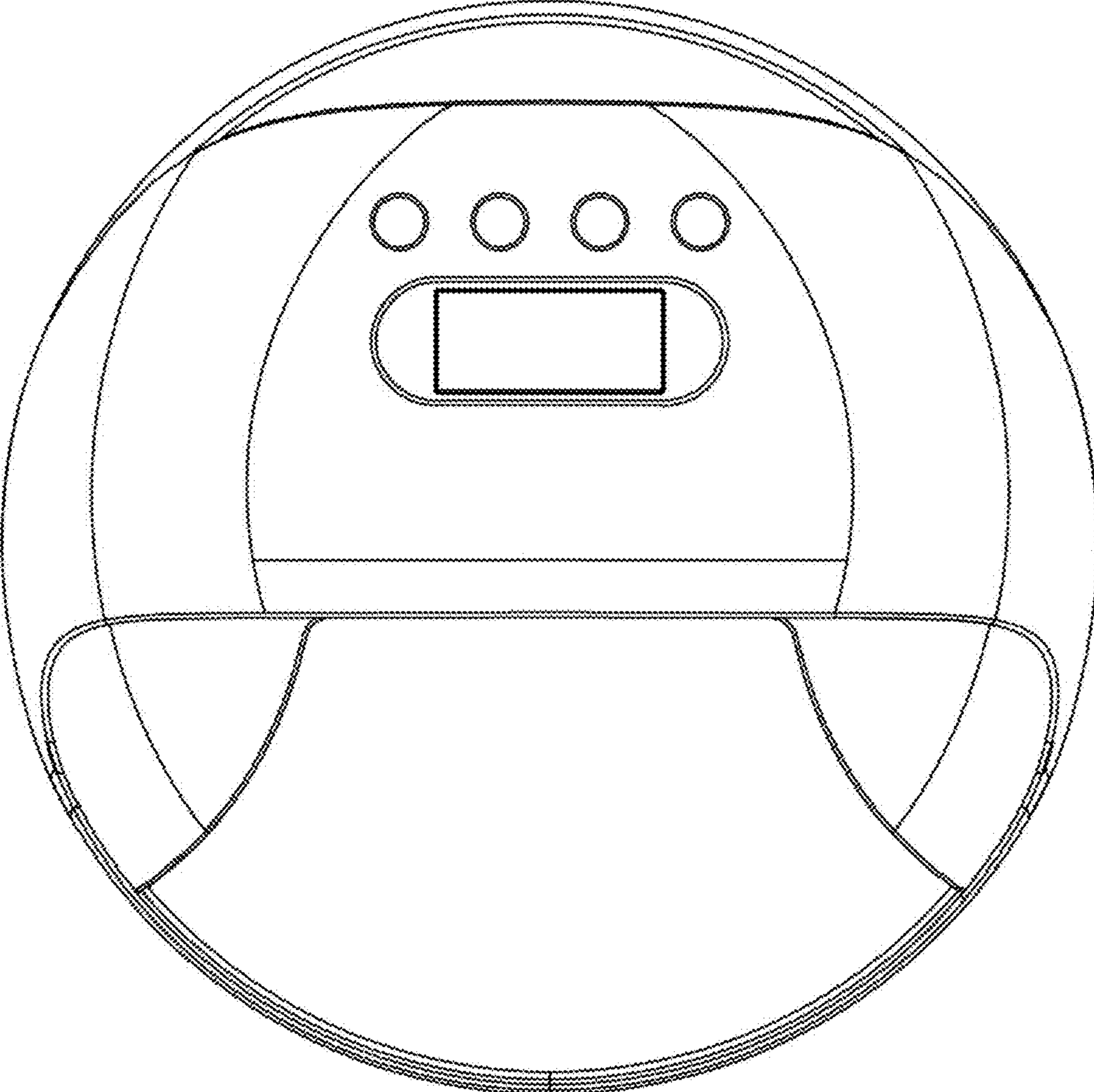


FIG. 1

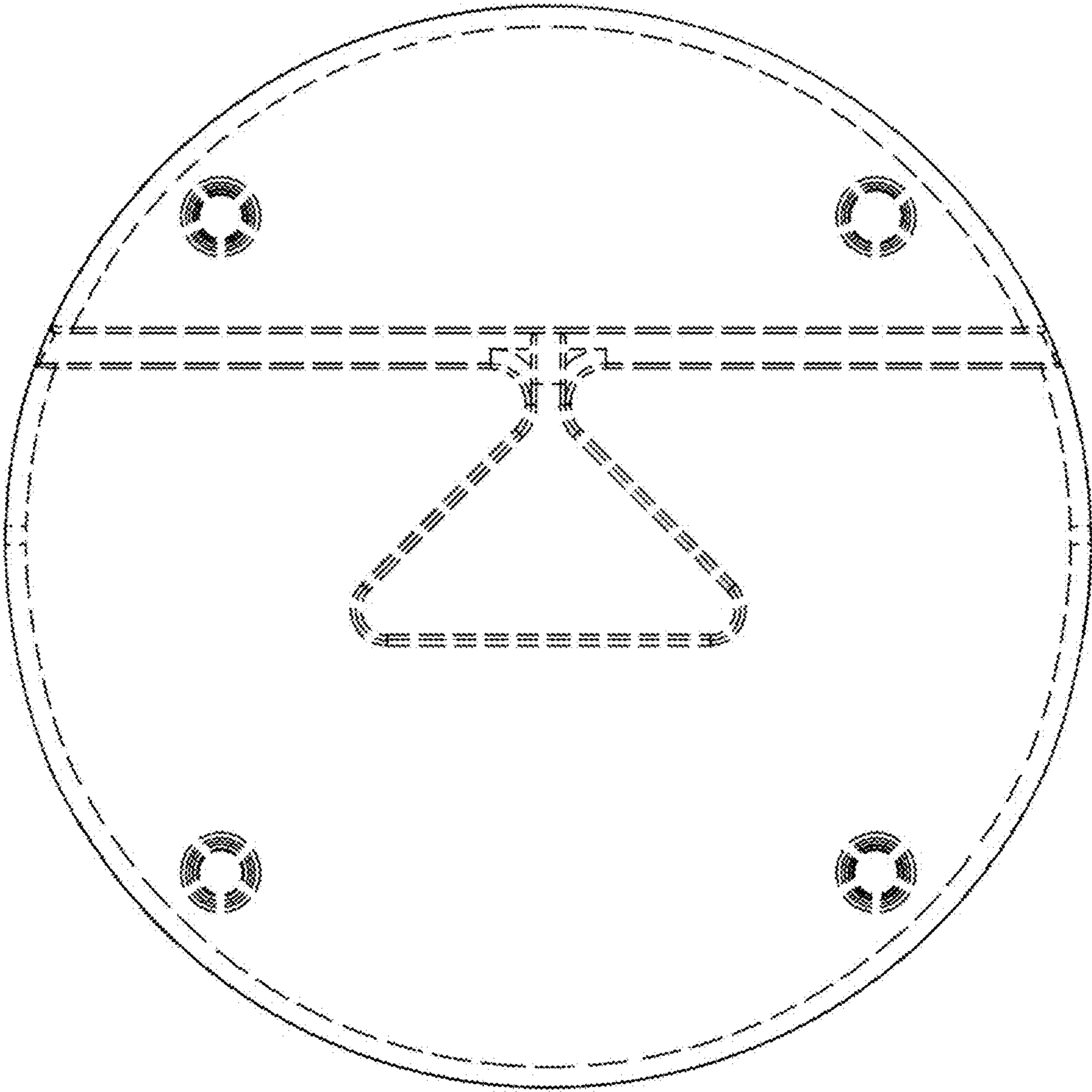


FIG.2

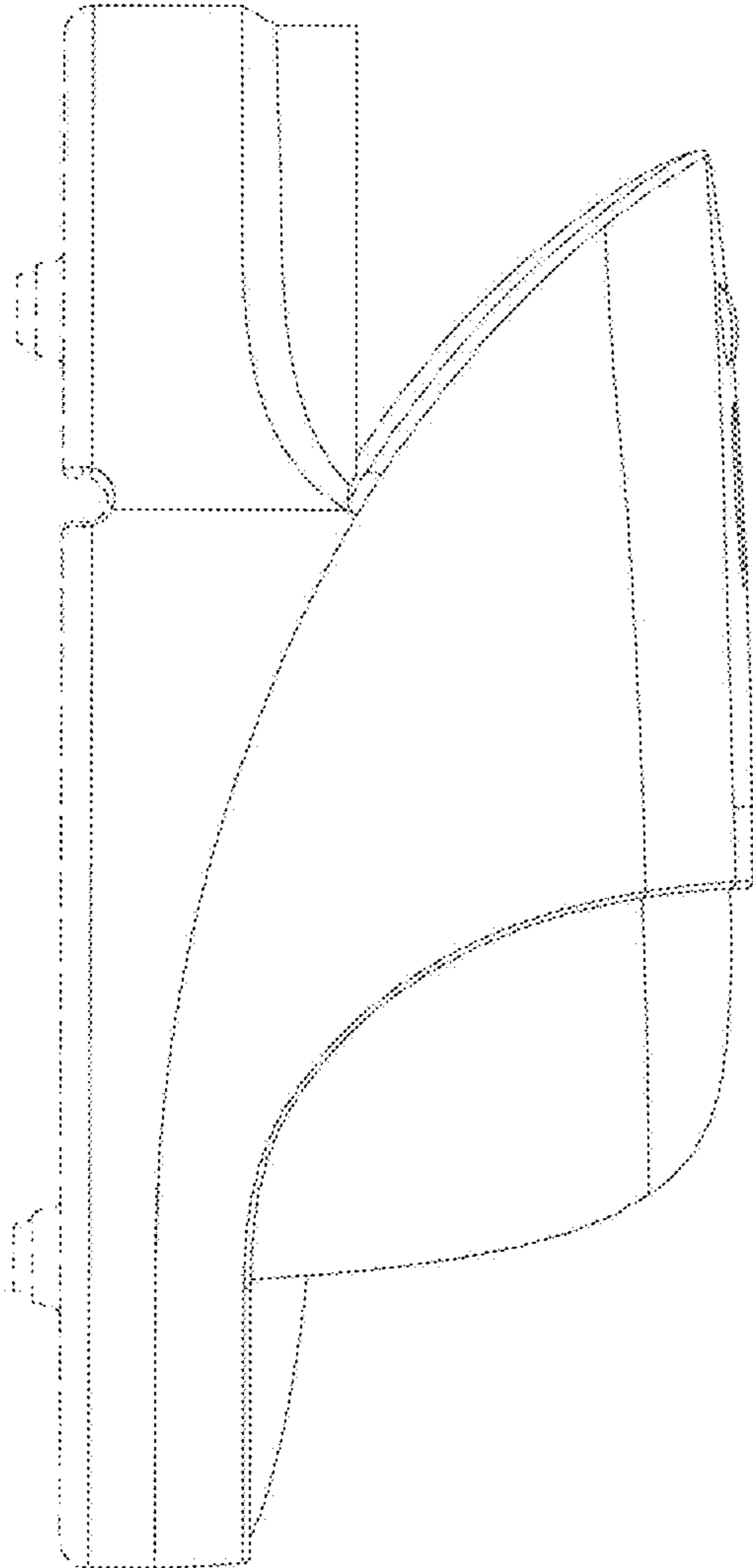


FIG.3

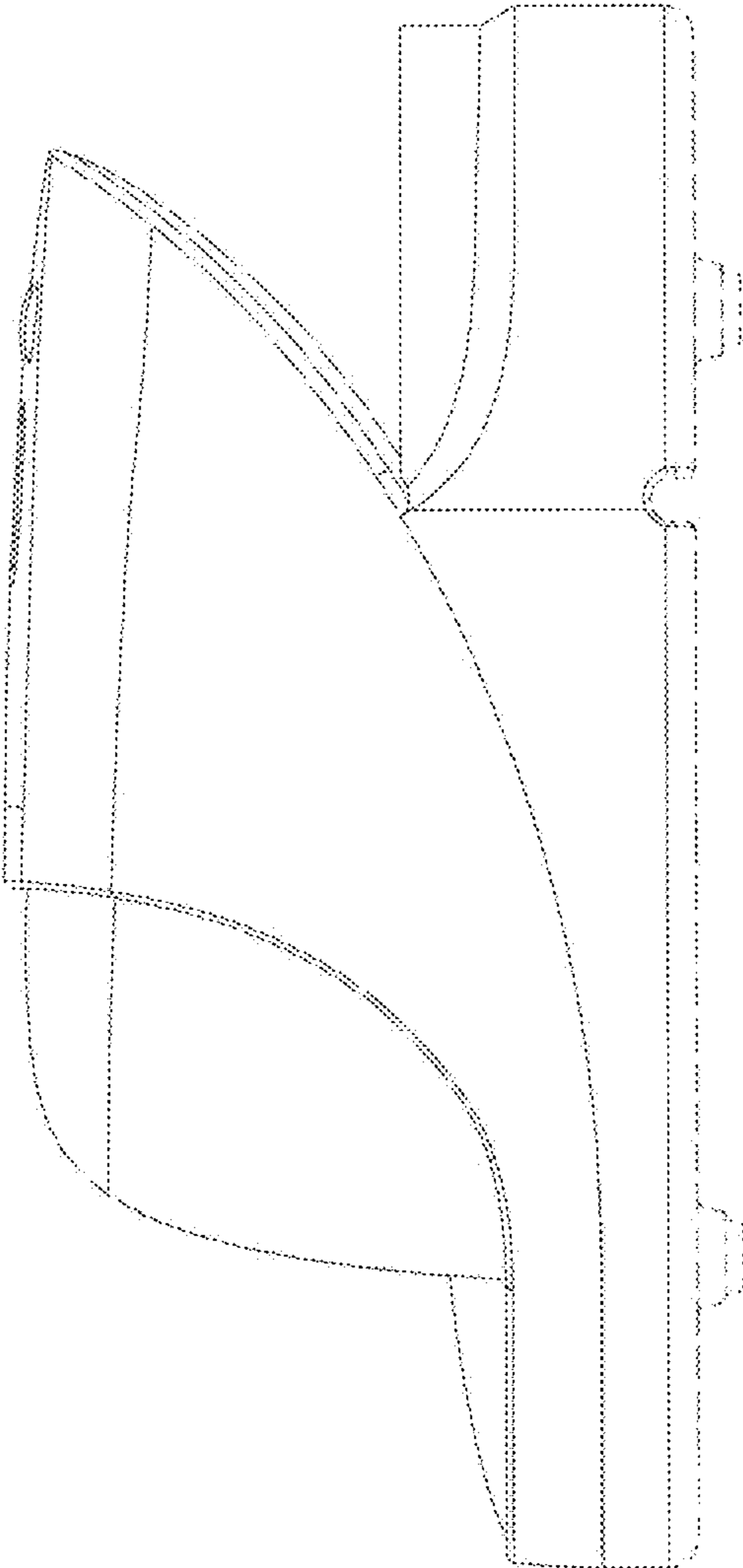


FIG.4

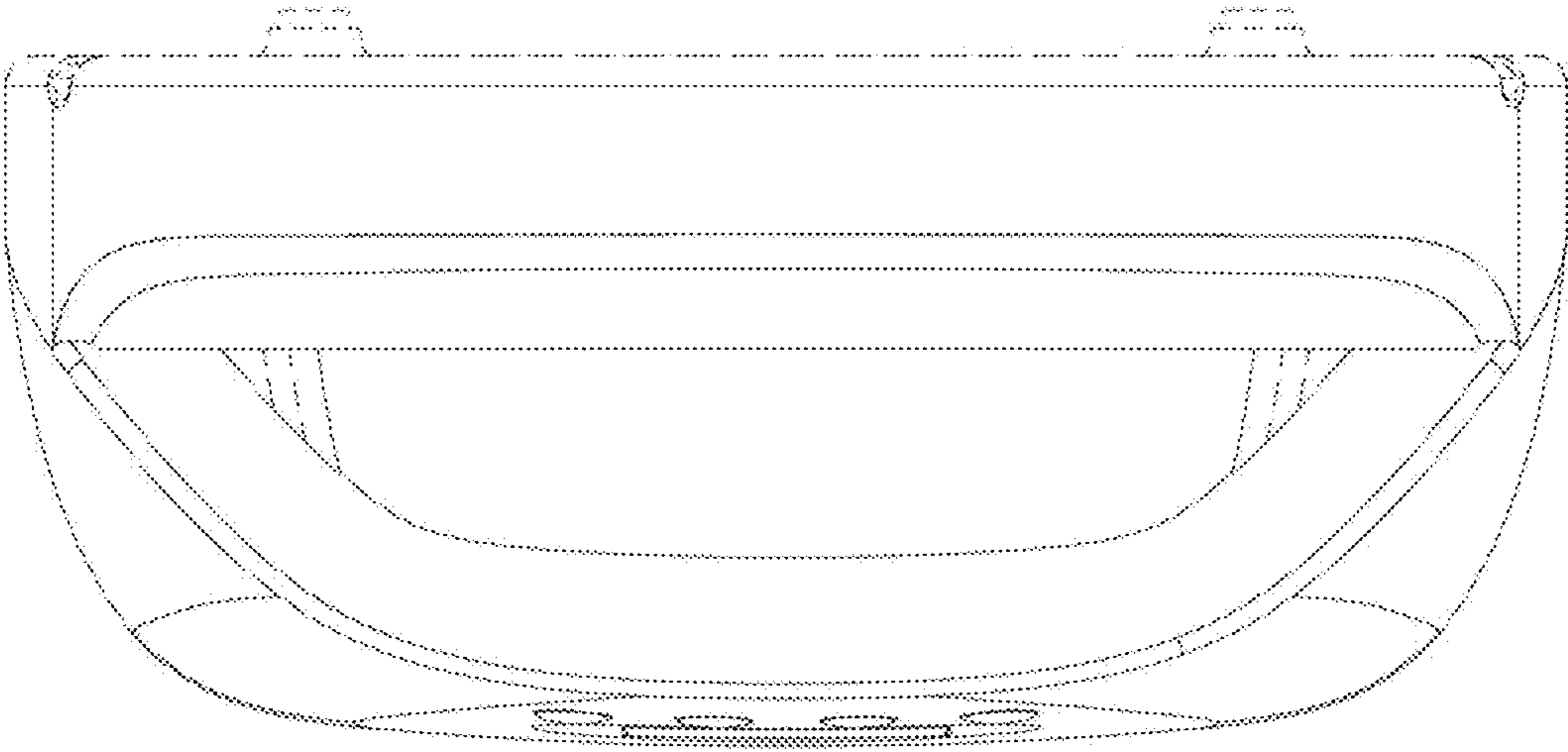


FIG.5

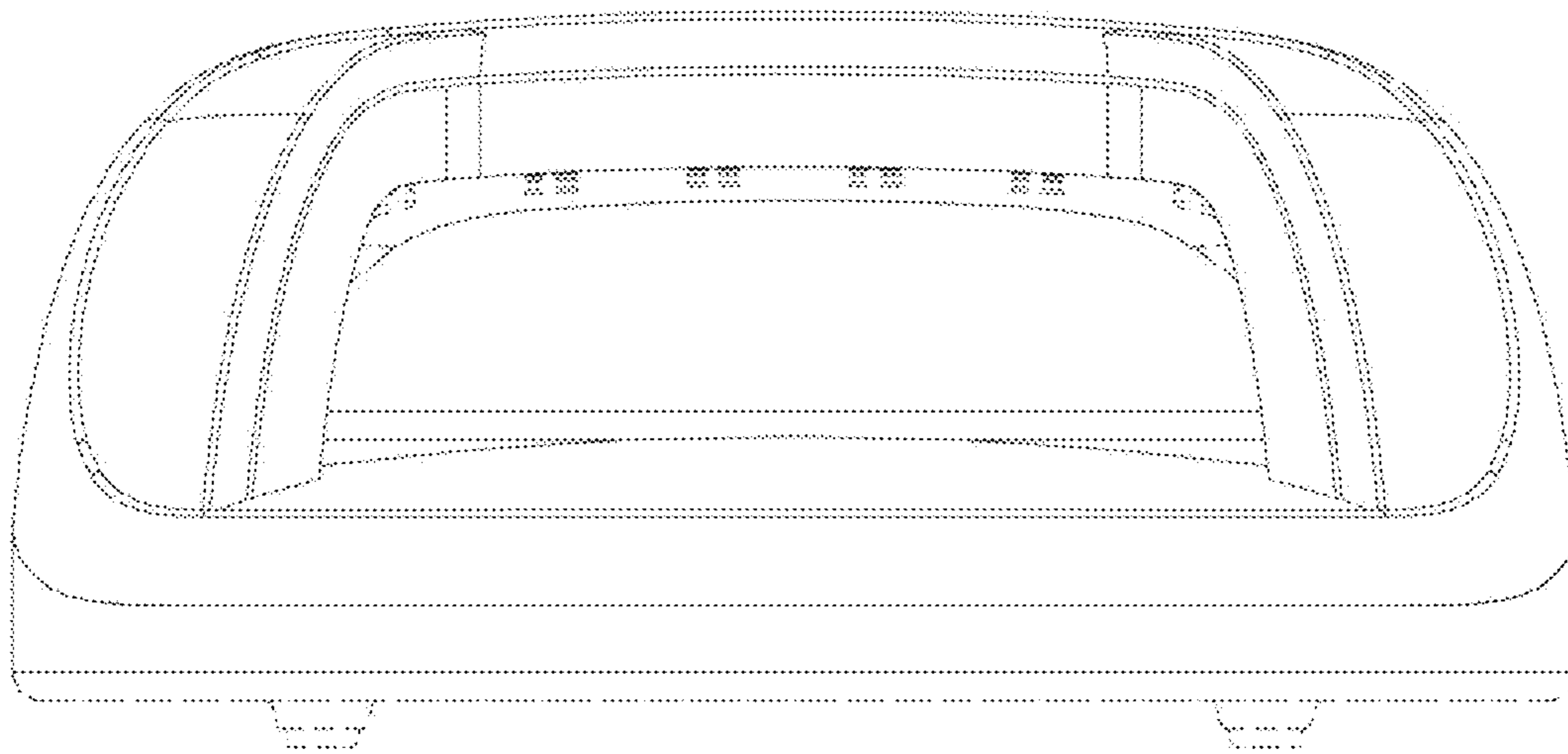


FIG.6

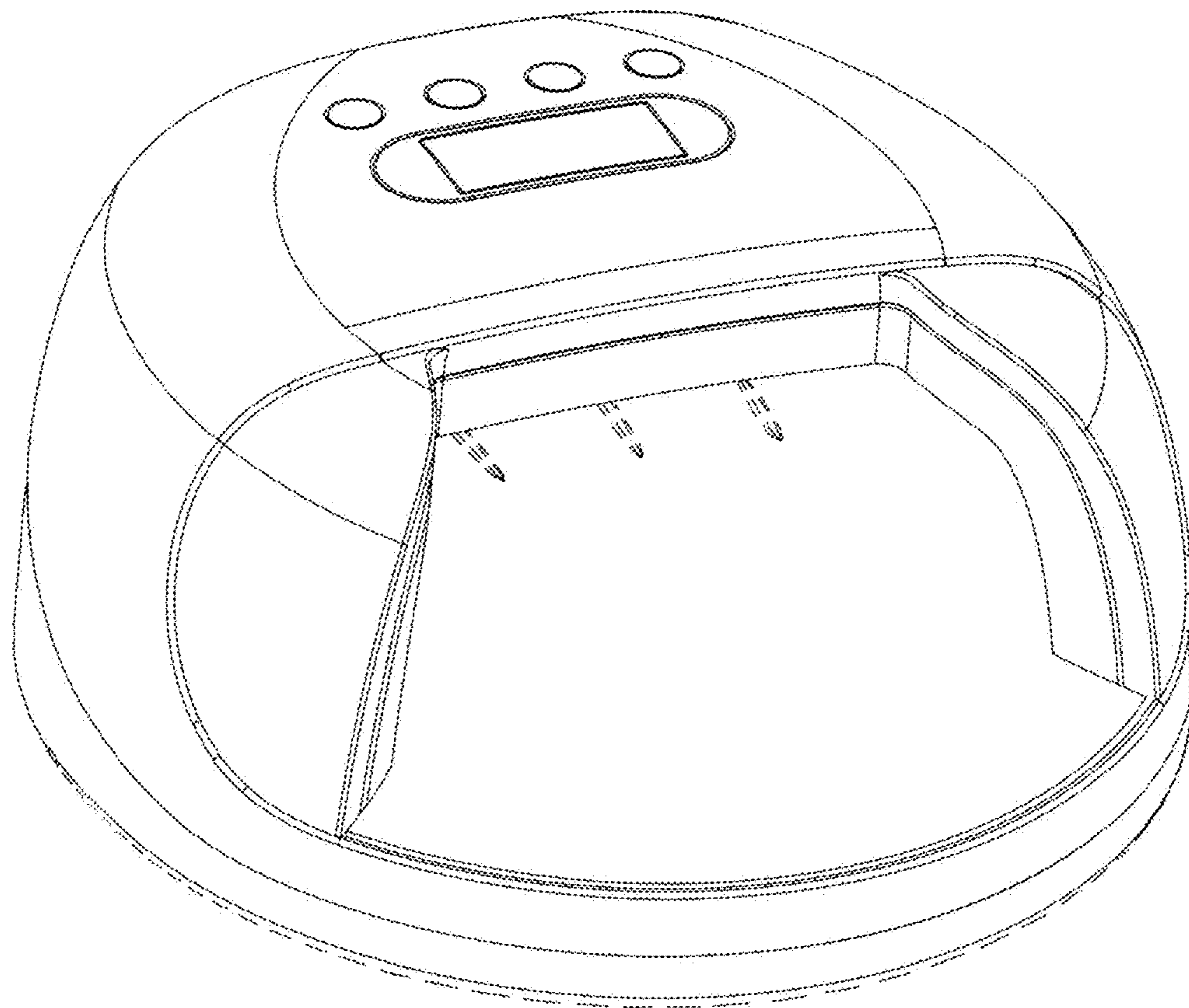


FIG.7