

US00D864484S

(12) **United States Design Patent**
Talavera

(10) **Patent No.:** **US D864,484 S**

(45) **Date of Patent:** **** Oct. 22, 2019**

(54) **HAIR TRIMMER**
(71) Applicant: **Victor Talavera**, Alpine, CA (US)
(72) Inventor: **Victor Talavera**, Alpine, CA (US)

(**) Term: **15 Years**

(21) Appl. No.: **29/667,283**

(22) Filed: **Oct. 19, 2018**

(51) **LOC (12) Cl.** **28-03**

(52) **U.S. Cl.**
USPC **D28/53**

(58) **Field of Classification Search**
USPC D28/49-54; D30/158
CPC B26B 19/20-205; B26B 19/00-107; B26B
19/12-18; B26B 19/22-24; B26B
19/26-265; B26B 19/28-36; B26B
19/38-48

See application file for complete search history.

(56) **References Cited**

U.S. PATENT DOCUMENTS

4,216,581	A *	8/1980	Van Slooten	B26B 19/42 30/133
4,628,601	A *	12/1986	Van Slooten	B26B 19/44 30/133
5,884,402	A *	3/1999	Talavera	B26B 19/00 30/124
6,588,108	B2 *	7/2003	Talavera	B26B 19/16 30/124

7,007,388	B2 *	3/2006	Wan	B26B 19/16 30/123
7,040,021	B2 *	5/2006	Talavera	B26B 19/16 30/124
9,597,811	B2 *	3/2017	Talavera	B26B 19/22

* cited by examiner

Primary Examiner — Jennifer Rivard

(74) *Attorney, Agent, or Firm* — Donn K. Harms

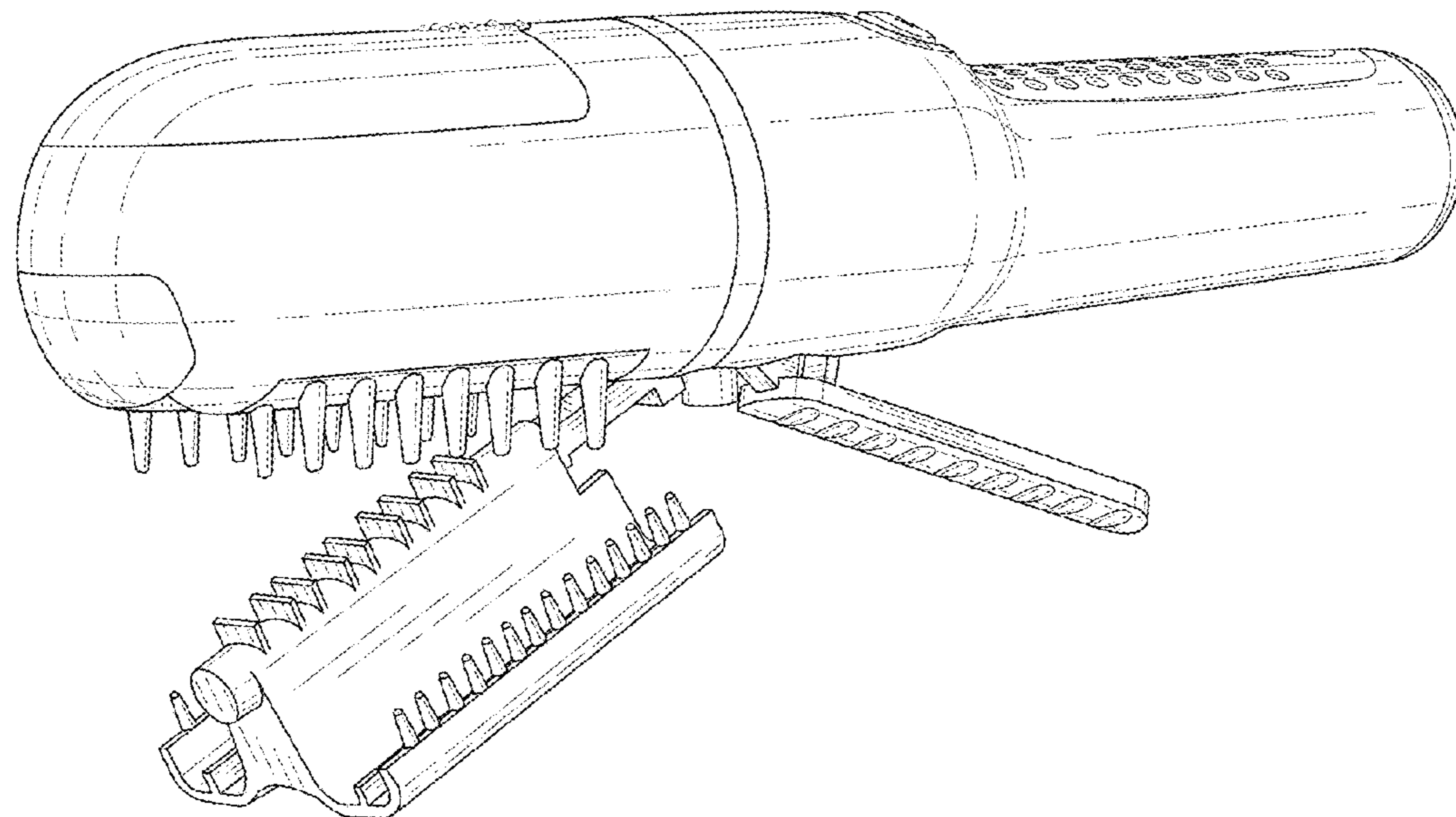
(57) **CLAIM**

An ornamental design for a hair trimmer, as shown and described.

DESCRIPTION

FIG. 1 is a front overhead isometric view of the hair trimmer;
 FIG. 2 is a rear overhead isometric view thereof;
 FIG. 3 is a left side view thereof;
 FIG. 4 is a right side view thereof;
 FIG. 5 is a top view thereof;
 FIG. 6 is a bottom view thereof;
 FIG. 7 is a rear view thereof;
 FIG. 8 is a front view thereof;
 FIG. 9 is a perspective view thereof in an open configuration; and,
 FIG. 10 is a left side view thereof in an open configuration.
 The dash-dot-dash broken lines shown along the bottom of the hair trimmer illustrate portions of the hair trimmer that form no part of the claimed design.

1 Claim, 7 Drawing Sheets



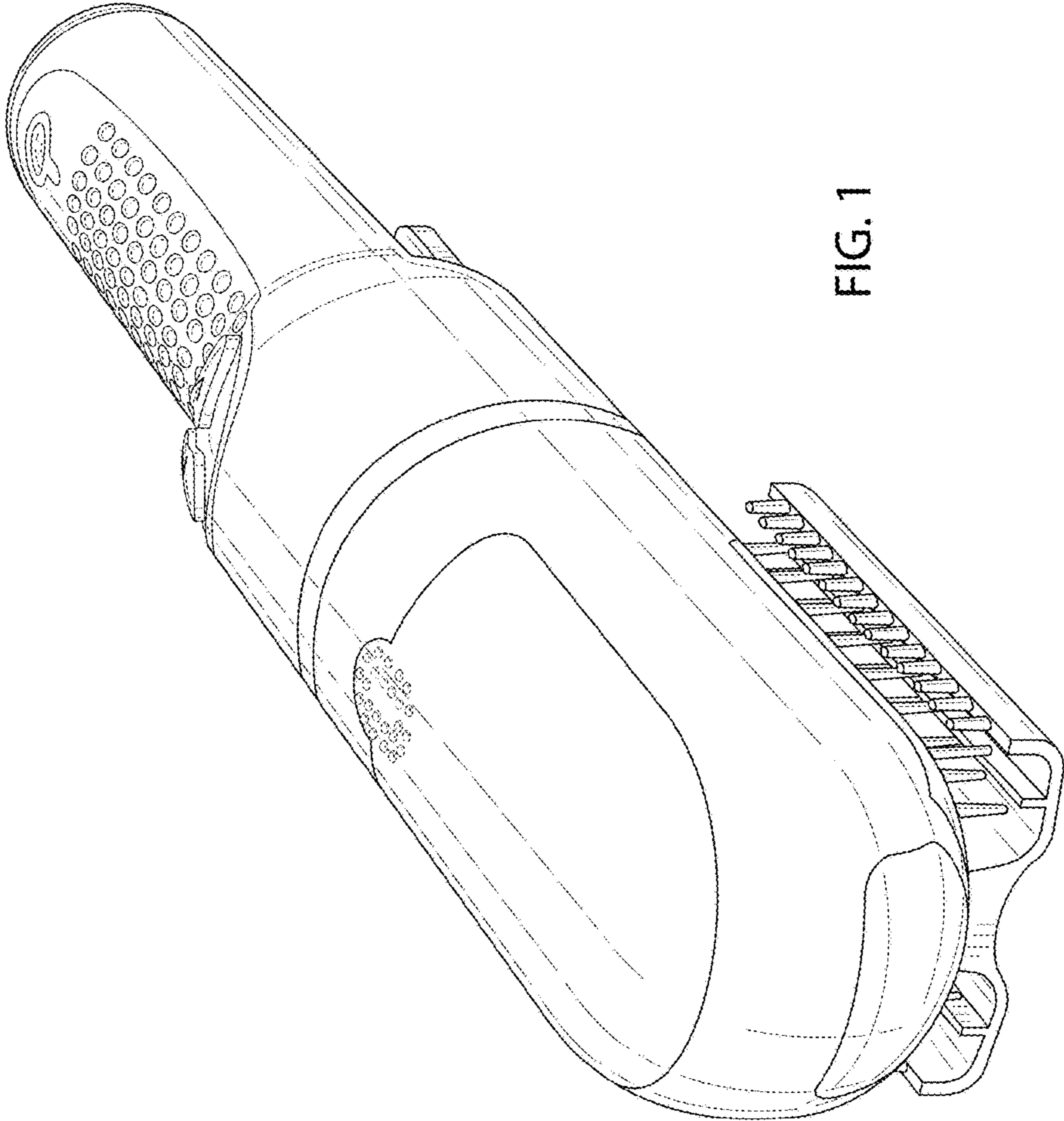


FIG. 1

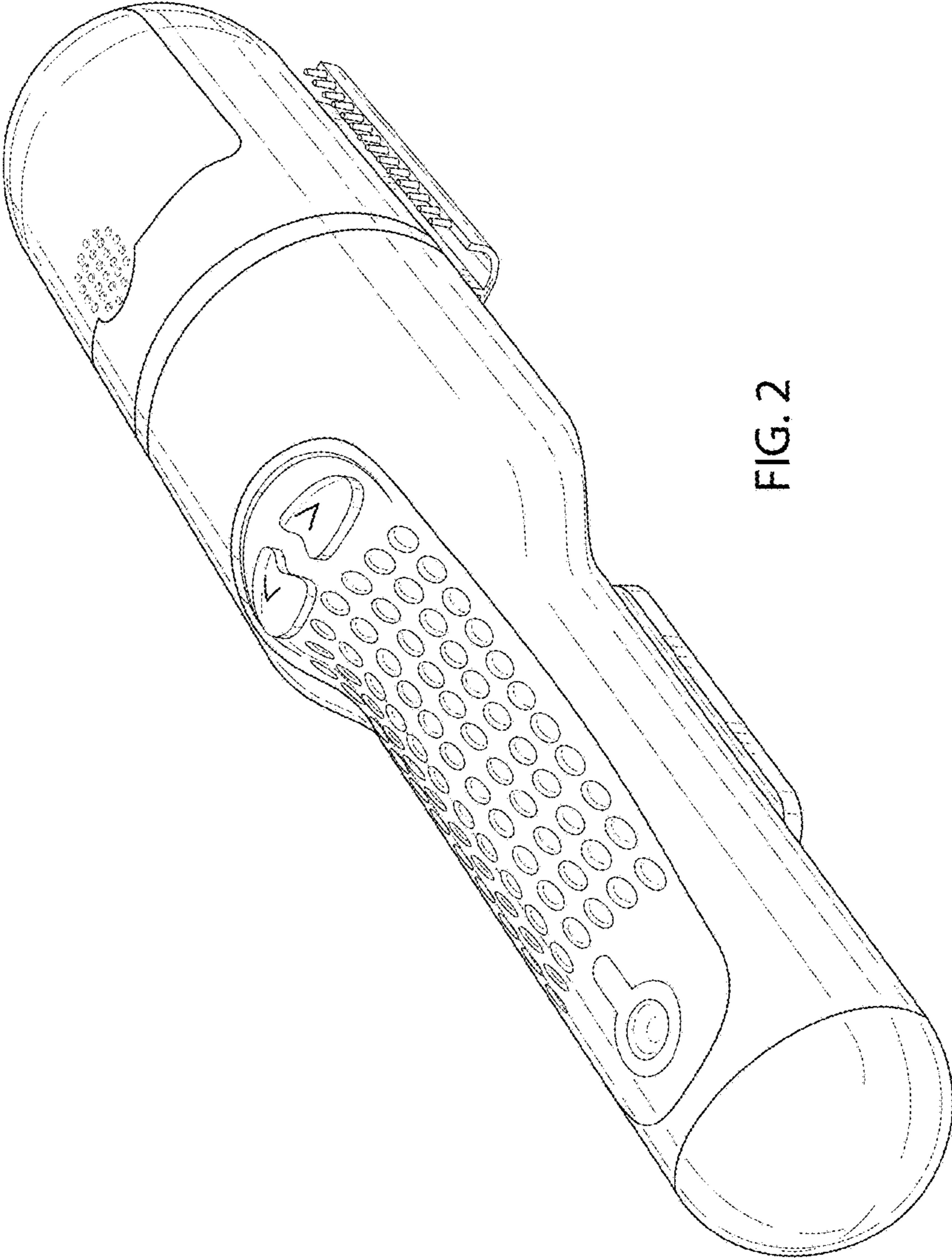


FIG. 2

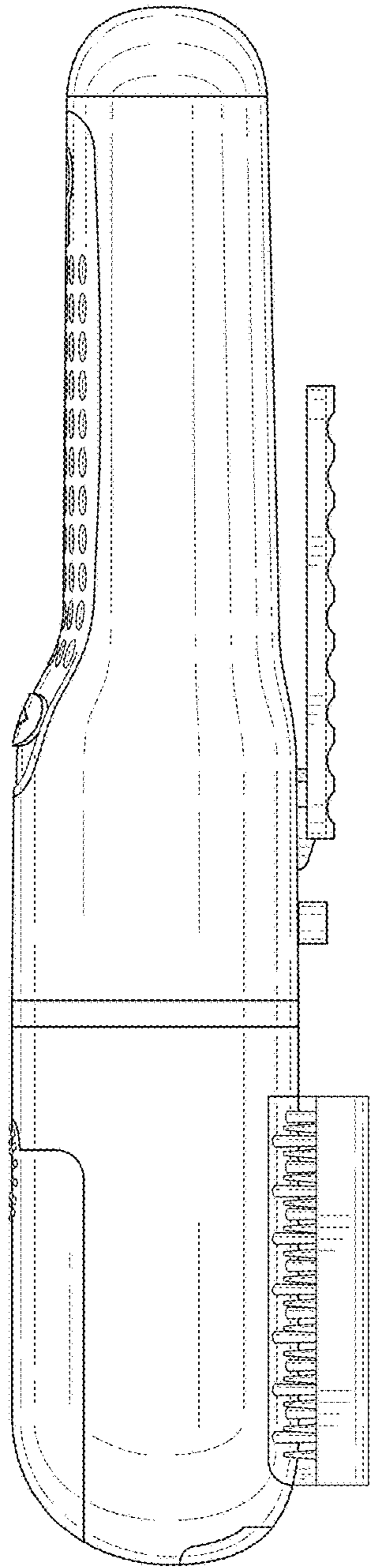


FIG. 3

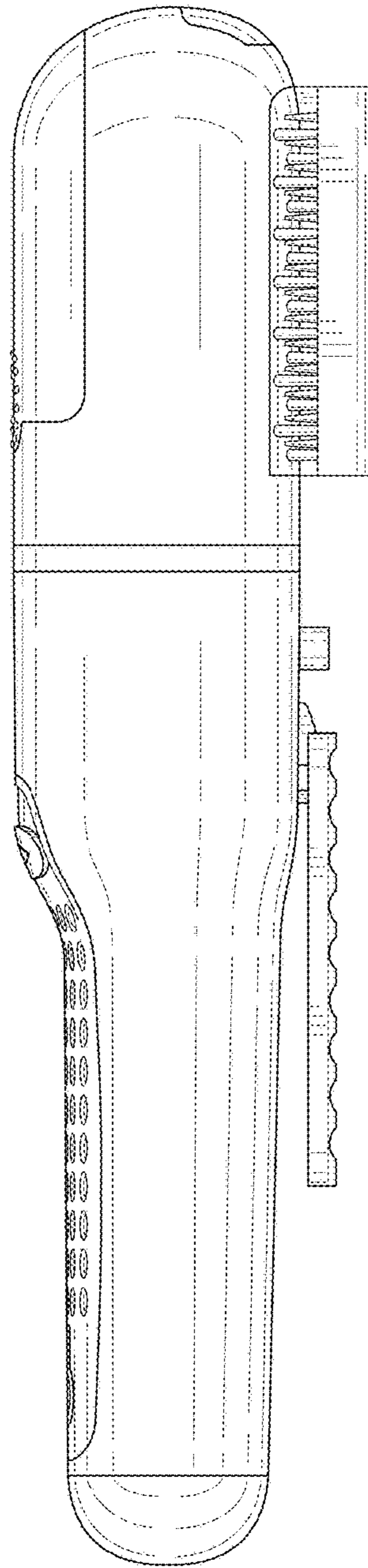


FIG. 4

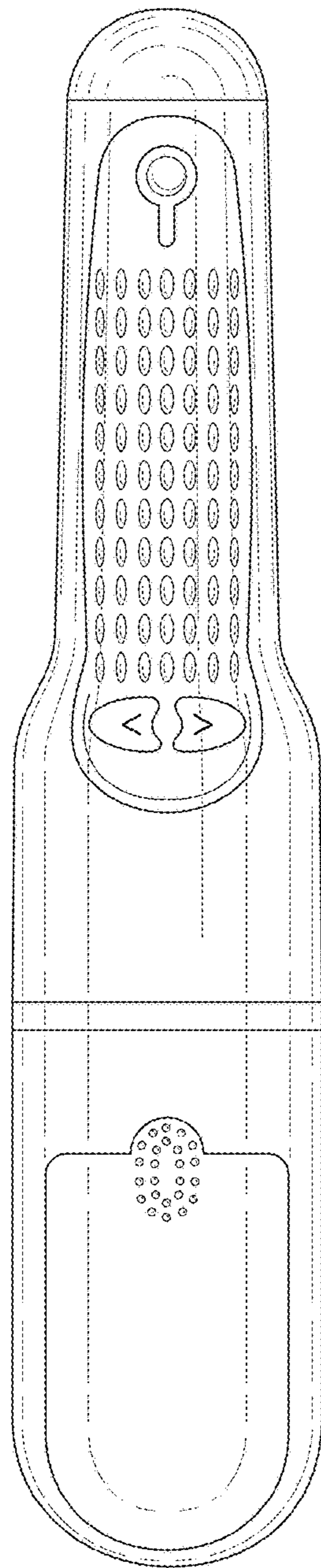


FIG. 5

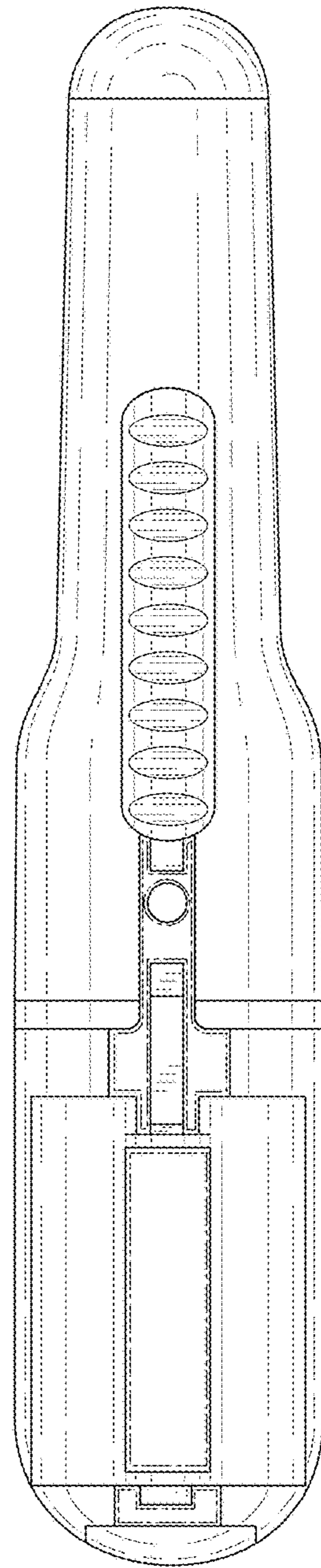


FIG. 6

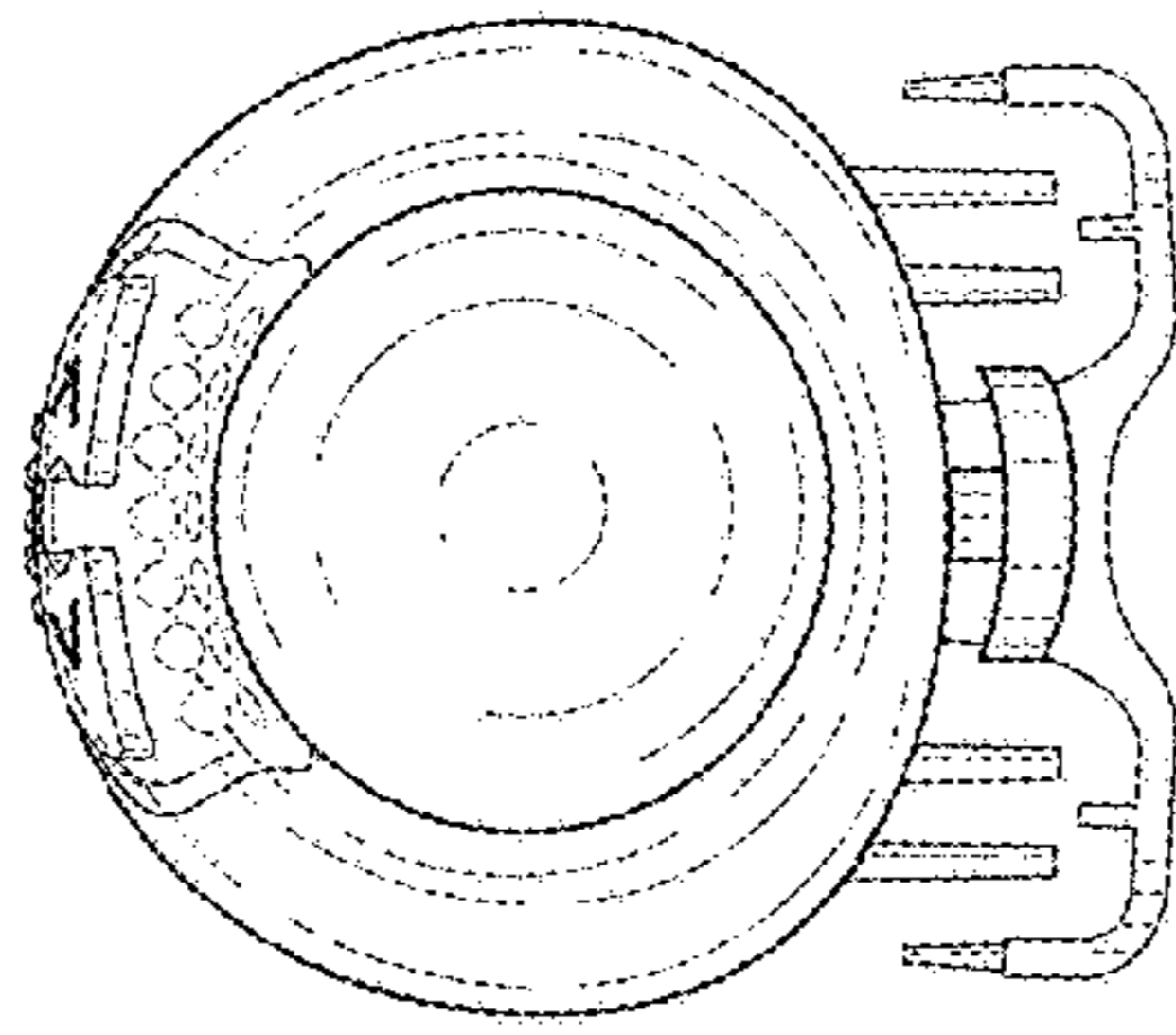


FIG. 8

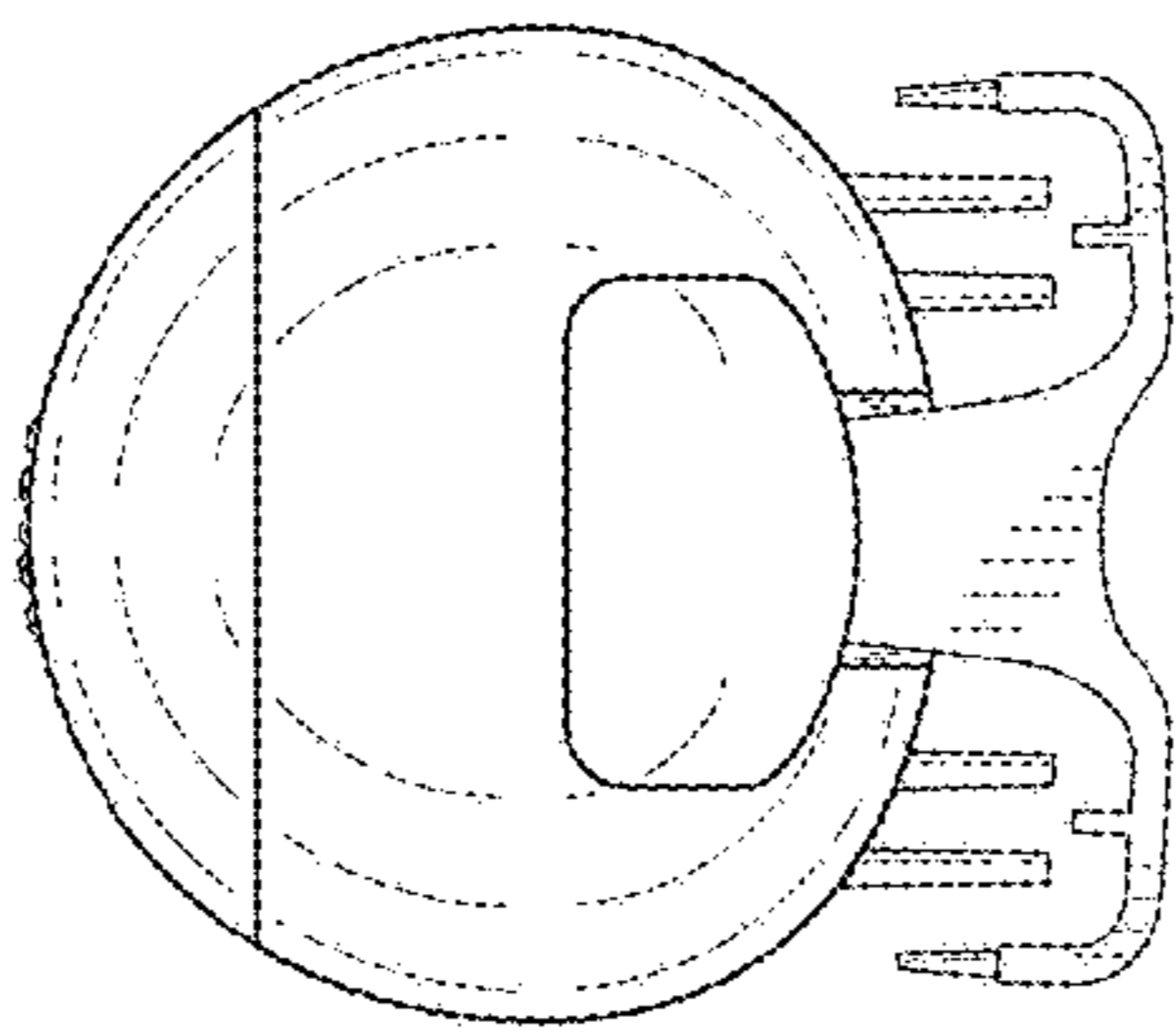


FIG. 7

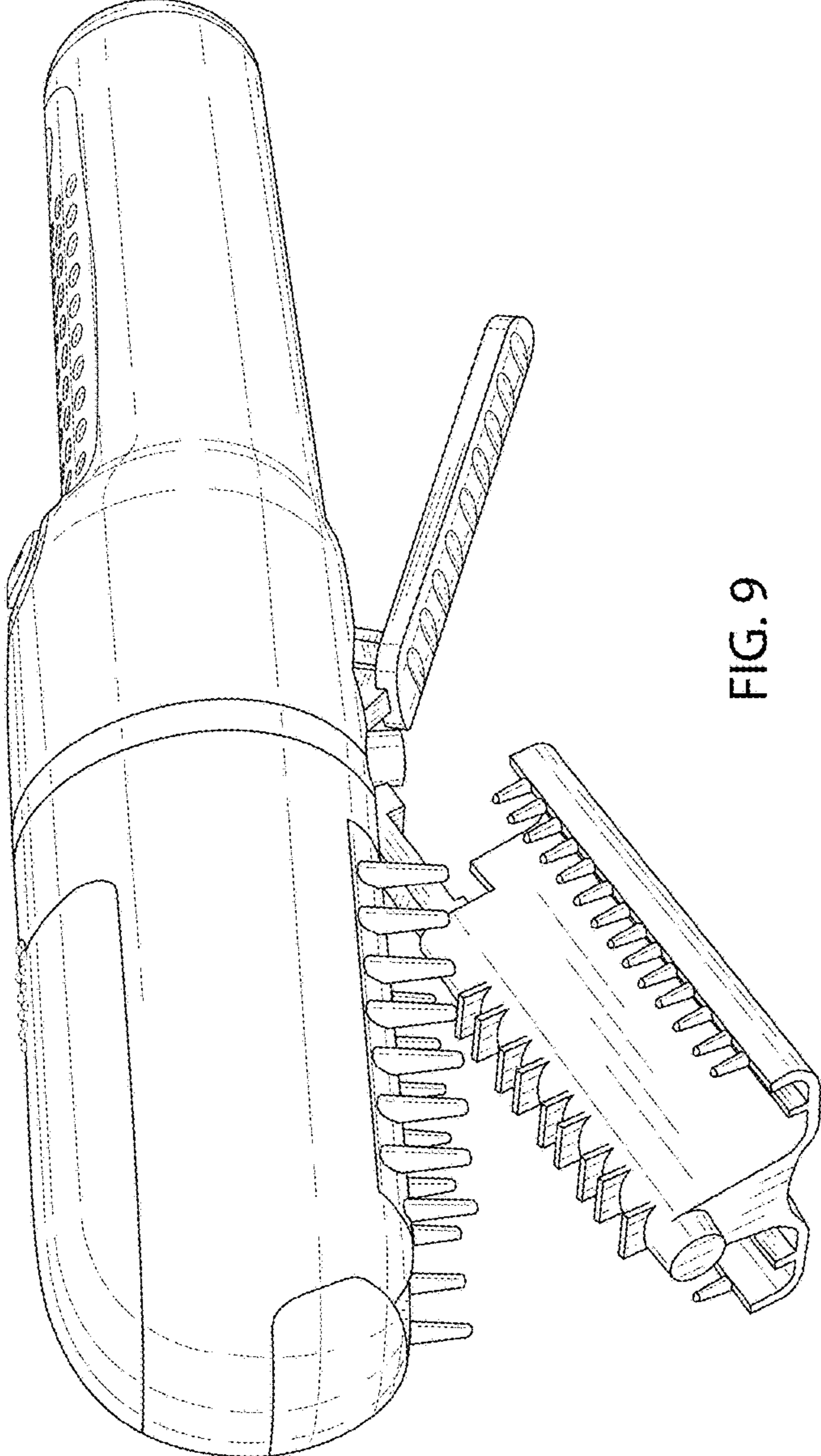


FIG. 9

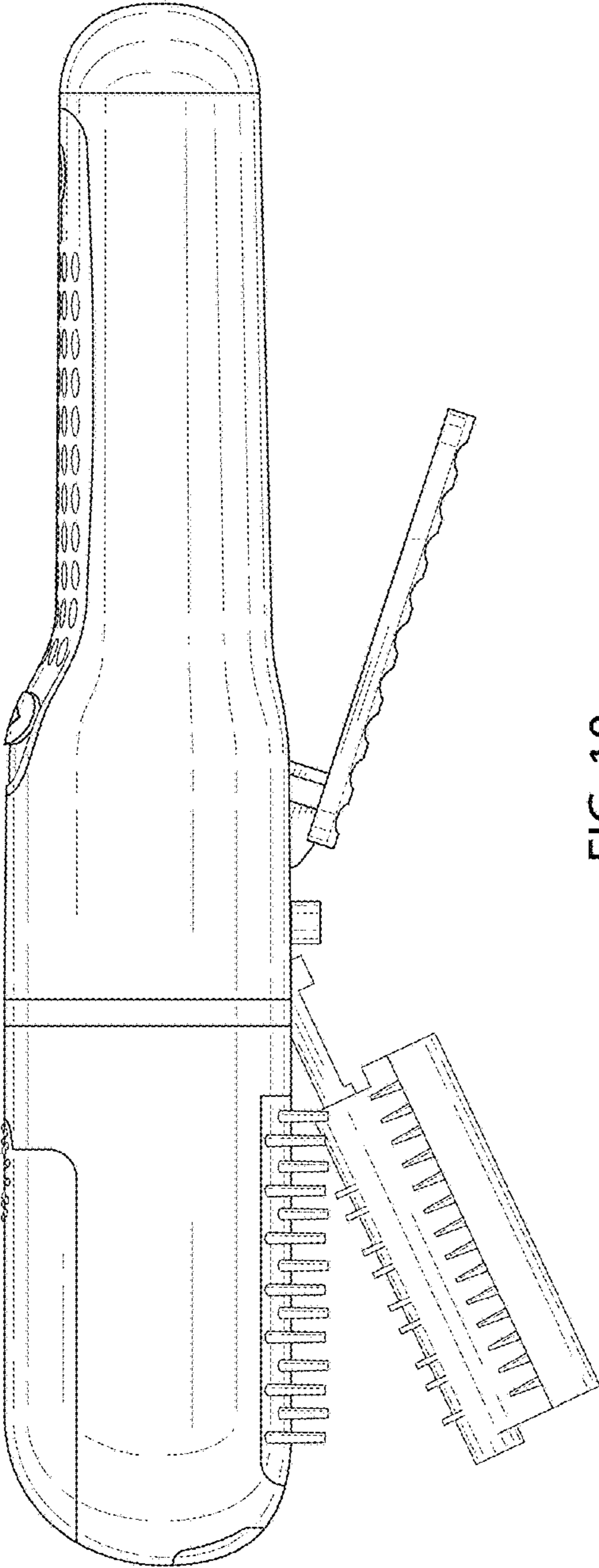


FIG. 10