



US00D864480S

(12) **United States Design Patent** (10) **Patent No.:** **US D864,480 S**  
**Grienay et al.** (45) **Date of Patent:** **\*\* Oct. 22, 2019**

(54) **WATER TANK FOR HAIR STRAIGHTENING APPARATUS**

2018. Available from Internet, URL: <https://www.fiyو.nl/reservoir-steam-pod-cs-00126034-cs00126034#>.\*

(Continued)

(71) Applicant: **CALOR**, Ecully (FR)

*Primary Examiner* — Shannon W Morgan

(72) Inventors: **Arnaud Grienay**, Ecully (FR); **Manon Malatray**, Ecully (FR)

*Assistant Examiner* — Altaira J Swangin

(73) Assignee: **CALOR**, Ecully (FR)

(74) *Attorney, Agent, or Firm* — Loeb & Loeb LLP

(\*\*) Term: **15 Years**

(57) **CLAIM**

(21) Appl. No.: **29/590,200**

The ornamental design for a water tank for hair straightening apparatus, as shown and described.

(22) Filed: **Jan. 9, 2017**

(30) **Foreign Application Priority Data**

**DESCRIPTION**

Jul. 7, 2016 (EM) ..... 003298520-0004  
 Jul. 7, 2016 (EM) ..... 003298520-0005  
 Jul. 7, 2016 (EM) ..... 003298520-0006

(51) **LOC (12) Cl.** ..... **28-03**

(52) **U.S. Cl.**  
USPC ..... **D28/35**

(58) **Field of Classification Search**  
USPC ..... D28/10, 35, 36, 37, 38; 132/211, 223, 132/226–229, 237, 245, 254–255, 269,  
(Continued)

FIG. 1 is an isometric view of a water tank for hair straightening apparatus showing our new design;  
 FIG. 2 is a front elevational view thereof;  
 FIG. 3 is a rear elevational view thereof;  
 FIG. 4 is a right side elevational view thereof;  
 FIG. 5 is a left side elevational view thereof;  
 FIG. 6 is a top view thereof;  
 FIG. 7 is a bottom view thereof;  
 FIG. 8 is an isometric view of a bottom portion of the water tank for hair straightening apparatus of FIG. 1, shown removed for ease of illustration.  
 FIG. 9 is a front elevational view thereof;  
 FIG. 10 is a rear elevational view thereof;  
 FIG. 11 is a right side elevational view thereof;  
 FIG. 12 is a left side elevational view thereof;  
 FIG. 13 is a top view thereof  
 FIG. 14 is a bottom view thereof;  
 FIG. 15 is an isometric view of a top portion of the water tank for hair straightening apparatus of FIG. 1, shown removed for ease of illustration.  
 FIG. 16 is a front elevational view thereof;  
 FIG. 17 is a rear elevational view thereof;  
 FIG. 18 is a right side elevational view thereof;  
 FIG. 19 is a left side elevational view thereof;  
 FIG. 20 is a top view thereof; and,  
 FIG. 21 is a bottom view thereof.

(Continued)

(56) **References Cited**

**U.S. PATENT DOCUMENTS**

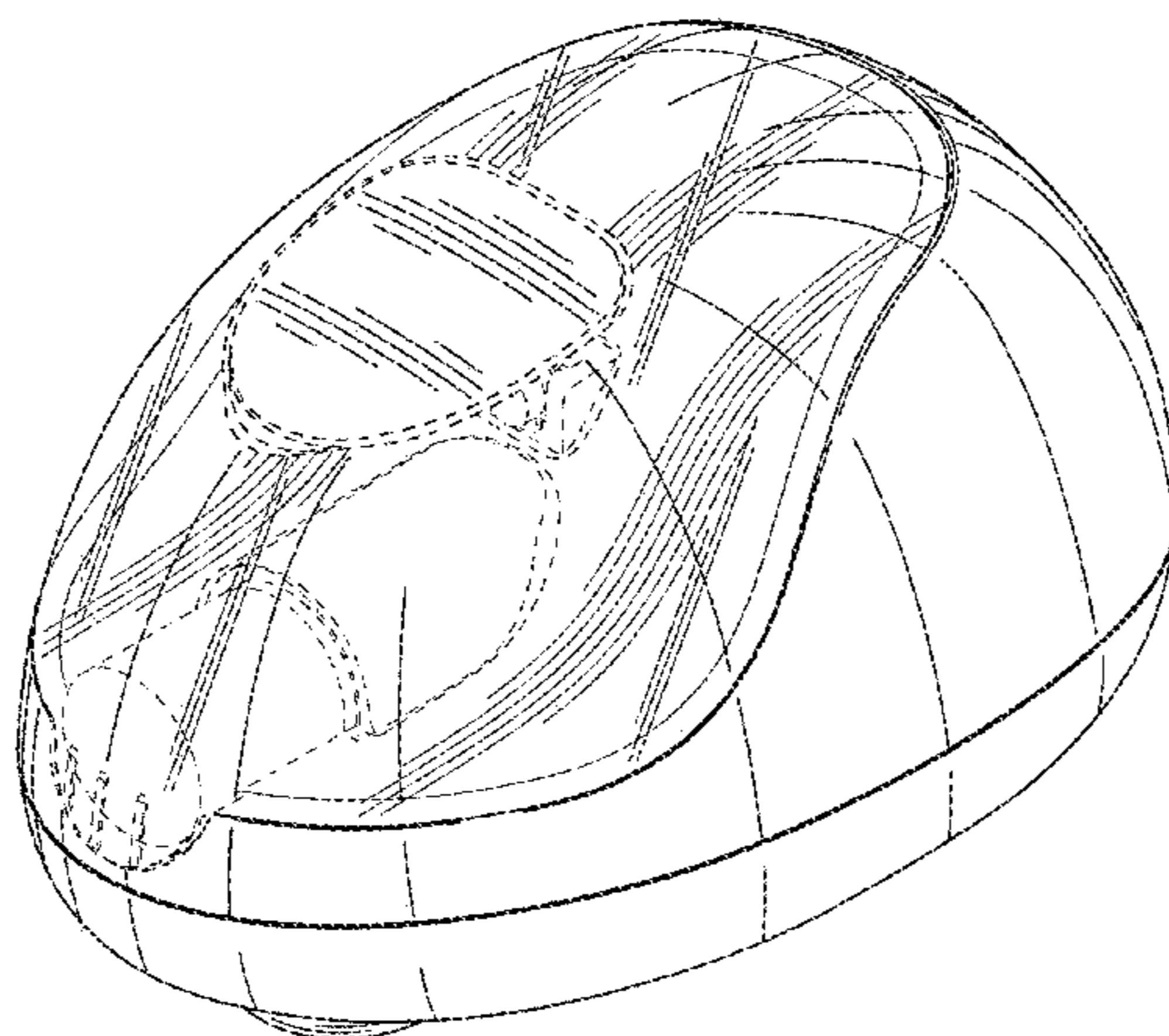
3,946,196 A 3/1976 Waters et al.  
 4,499,355 A 2/1985 Walter  
 (Continued)

**FOREIGN PATENT DOCUMENTS**

CN 303632474 \* 4/2016  
 CN 303708334 \* 6/2016  
 (Continued)

**OTHER PUBLICATIONS**

Reservoir Steam-pod CS-00126034, Braun/Rowenta, posted at fiyo.nl, author and date not listed © 2018 Fiyo.nl, online, visited Jun. 14,



The broken lines shown in the figure drawings depict portions of the water tank for hair straightening apparatus which form no part of the claimed design.

**1 Claim, 18 Drawing Sheets**

(58) **Field of Classification Search**

USPC ..... 132/126, 137-140, 213.1; 219/222;  
34/96-97; 392/403; D32/70, 73  
CPC ... A45D 1/00; A45D 1/02; A45D 1/04; A45D  
2001/002; A45D 2001/004; A45D  
2001/008; A45D 1/28; A45D 7/02; A45D  
1/06; A45D 2/002; A45D 1/18; A45D  
2/42; A45D 2/44; A45D 24/02; A45D  
20/52; A46B 15/0002; A46B 2200/104

See application file for complete search history.

(56) **References Cited**

U.S. PATENT DOCUMENTS

4,803,341	A	2/1989	Barowski et al.	
D320,100	S *	9/1991	Giannelli	D32/73
5,309,930	A	5/1994	Presser	
D357,766	S *	4/1995	Prince	D28/38
D360,723	S *	7/1995	Kasai	D13/108
D362,922	S *	10/1995	Prince	D28/38
D363,140	S *	10/1995	Accumanno	D28/38
D388,921	S *	1/1998	Doria	D32/73
5,715,360	A	2/1998	Montagnino	
5,749,379	A	5/1998	Stillwagon et al.	
5,798,500	A	8/1998	Stillwagon, Jr. et al.	
5,896,864	A	4/1999	Boyle et al.	
D439,023	S *	3/2001	Powell	D32/73
D463,641	S *	9/2002	Powell	D32/71
D481,673	S	11/2003	Hsu	
D484,658	S *	12/2003	Schupp	D32/73
D489,843	S	5/2004	Malone	
D506,851	S *	6/2005	Schmitz	D28/35
D536,483	S	2/2007	Lun et al.	
7,171,704	B2	2/2007	Johnson	
D561,419	S *	2/2008	Choi	D32/73
D576,369	S *	9/2008	Choi	D32/68
D606,251	S	12/2009	Leung	
D606,255	S	12/2009	Leung	
D612,559	S *	3/2010	Mizoguchi	D32/73
D618,395	S	6/2010	Mau	
D619,760	S	7/2010	Cheung	
D621,094	S	8/2010	Kaizuka	
D627,925	S	11/2010	Nenadich	
D627,926	S	11/2010	Nenadich	
D627,940	S *	11/2010	Smith	D32/17
D632,429	S	2/2011	Kim	
D643,974	S	8/2011	Renault	
D645,614	S	9/2011	Kim	
D646,022	S	9/2011	Schmitz	
D649,288	S	11/2011	Koehler	
D650,525	S	12/2011	Cafaro et al.	

D654,621	S	2/2012	Grienay	
D665,947	S	8/2012	Bachmann et al.	
D667,995	S	9/2012	Grienay	
D671,681	S *	11/2012	Grienay	D28/38
D671,682	S *	11/2012	Grienay	D28/38
D672,087	S	12/2012	Julemont	
D672,088	S	12/2012	Julemont	
D672,089	S	12/2012	Julemont	
D680,689	S *	4/2013	Grienay	D28/38
D682,468	S	5/2013	Kim	
D716,497	S	10/2014	Renault	
D728,179	S *	4/2015	Yoon	D32/31
D737,012	S *	8/2015	Cahen	D32/73
D738,060	S *	9/2015	La Rovere	D32/71
D738,586	S *	9/2015	La Rovere	D32/70
D738,587	S *	9/2015	La Rovere	D32/71
D739,629	S *	9/2015	Luang	D32/70
D759,330	S *	6/2016	Luang	D32/71
D759,331	S *	6/2016	Salagnac	D32/71
D798,008	S *	9/2017	Malatray	D32/17
D816,896	S *	5/2018	Canamaque	D28/7
D825,768	S *	8/2018	Cai	D24/200
D826,476	S *	8/2018	Cozzolino	D28/61
D838,424	S *	1/2019	La Rovere	D32/68
D849,321	S *	5/2019	Grienay	D28/35
2009/0159093	A1	6/2009	Yu	
2010/0288298	A1	11/2010	Serresvives et al.	
2012/0111356	A1	5/2012	Vacheron et al.	

FOREIGN PATENT DOCUMENTS

EM	000112784-0001	12/2003
EM	000686928-0003	3/2007
EM	0009035470001	3/2008
EM	0009979940001	9/2008
EM	001054423-0001	12/2008
EM	001054423-0002	12/2008
EM	0011006140001	3/2009
EM	001135875-0014	5/2009
EM	001135875-0015	5/2009
EM	001135875-0017	5/2009
EM	001135875-0018	5/2009
EM	0011358750012	5/2009
EM	001150510-0001	7/2009
EM	001150510-0002	7/2009
EM	001168165-0001	9/2009
EM	001190623-0001	1/2010
EM	001681750-0001	3/2010
EM	001801549-0006	1/2011
EM	001258396-0001	4/2011
EM	001258396-0005	4/2011
RU	00095565	* 9/2015
WO	DM072796	12/2009

OTHER PUBLICATIONS

Steampod, L'Oreal, mixed-hair.blogspot.com.com, posted by Chantelle Emily on Jan. 7, 2014 © 2018 Mixed Beauty, online, visited Jun. 14, 2018. Available from Internet, URL: <http://nnixed-hair.blogspot.com/2014/01/nny-new-love-steannpod.html> (Year: 2014) (5 pages).

\* cited by examiner

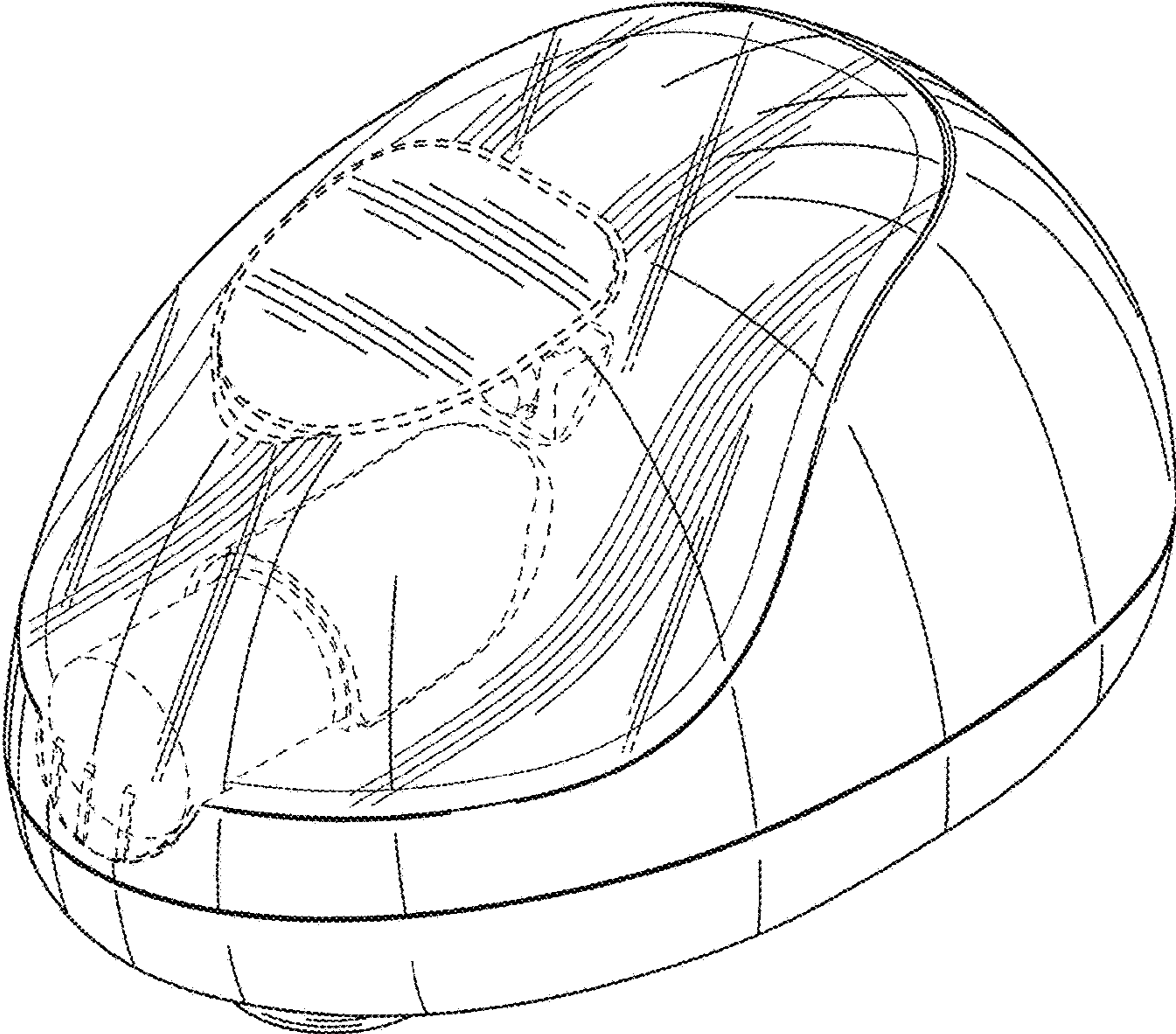


FIG. 1

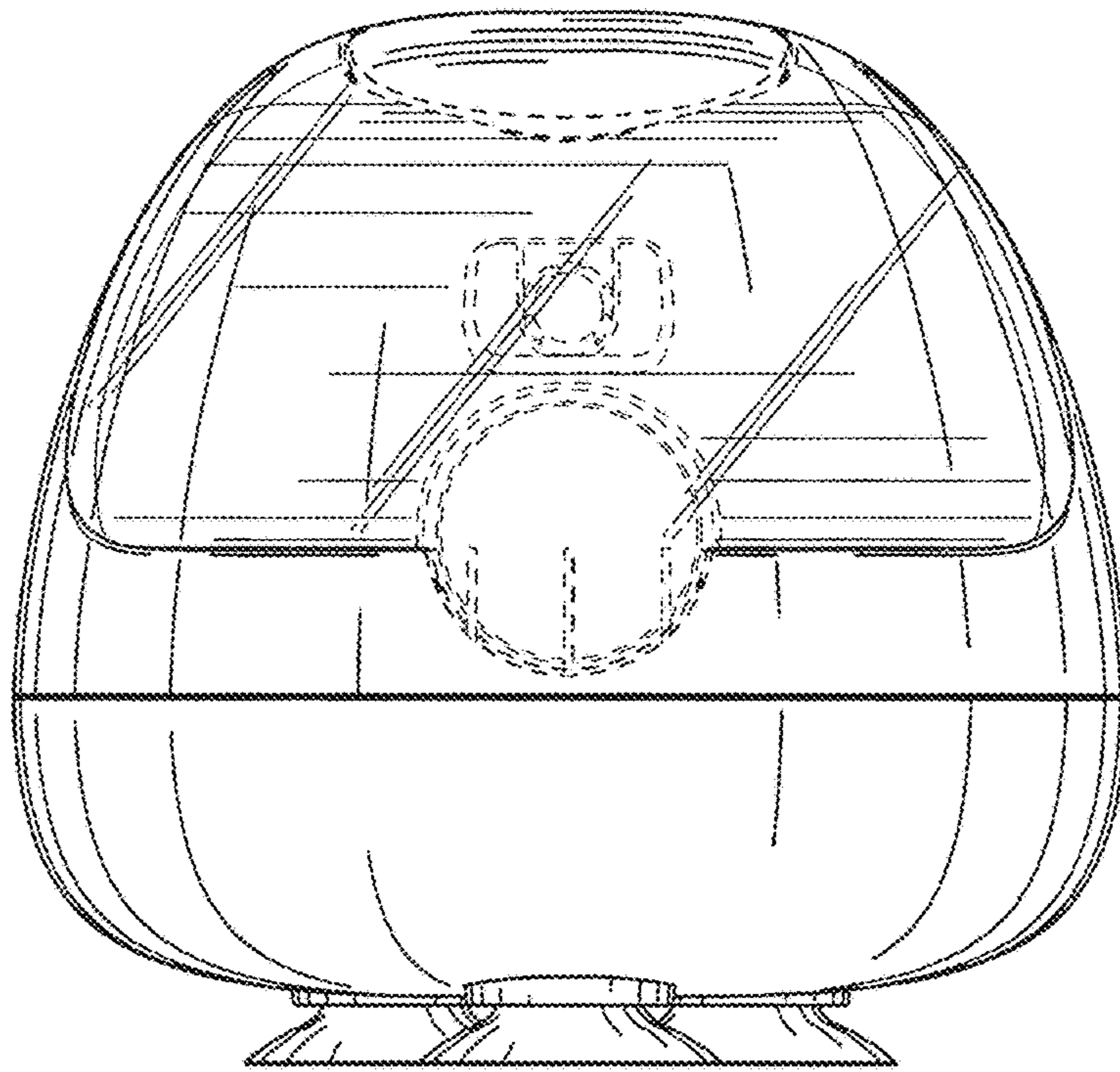


FIG. 2

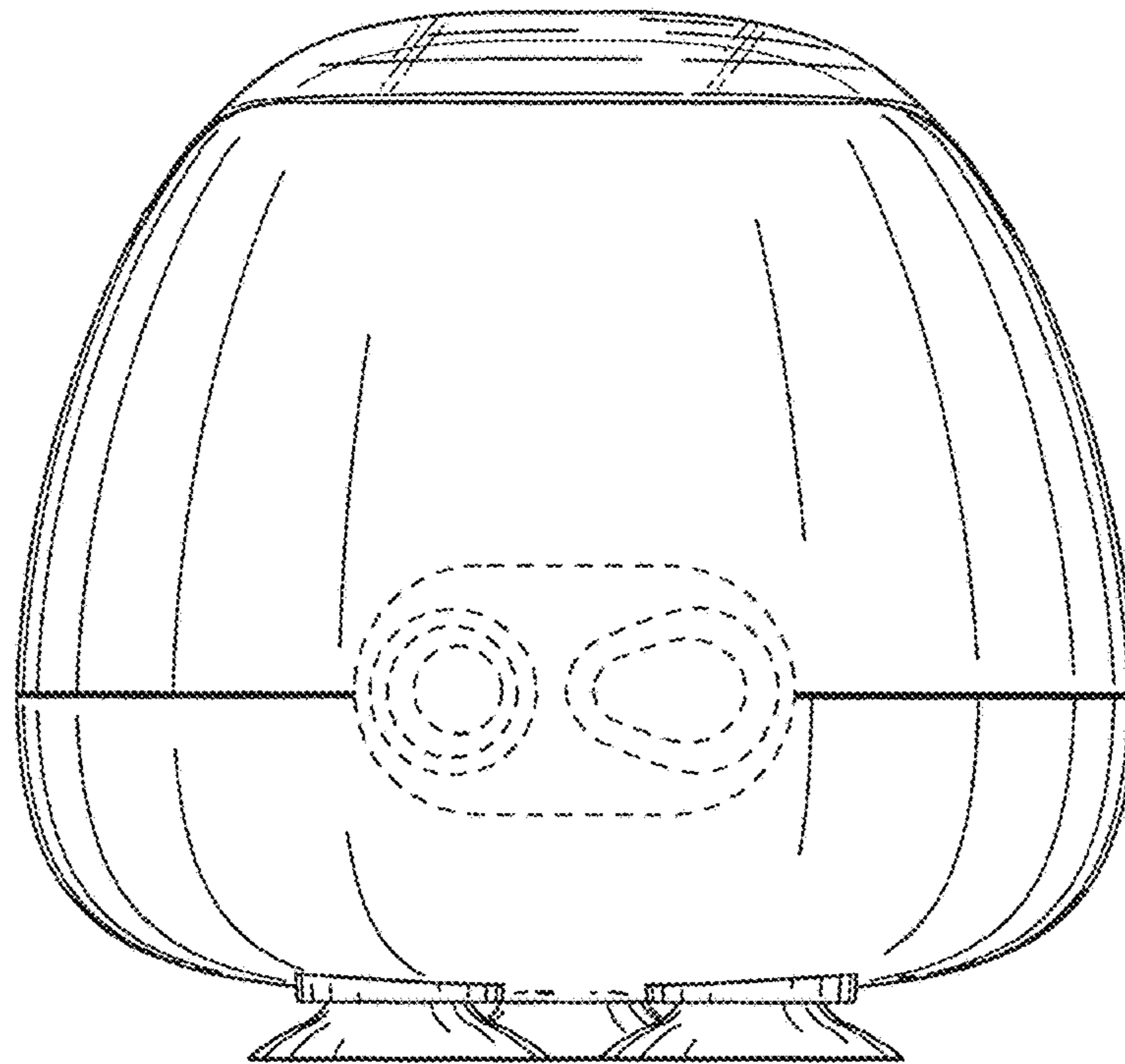


FIG. 3

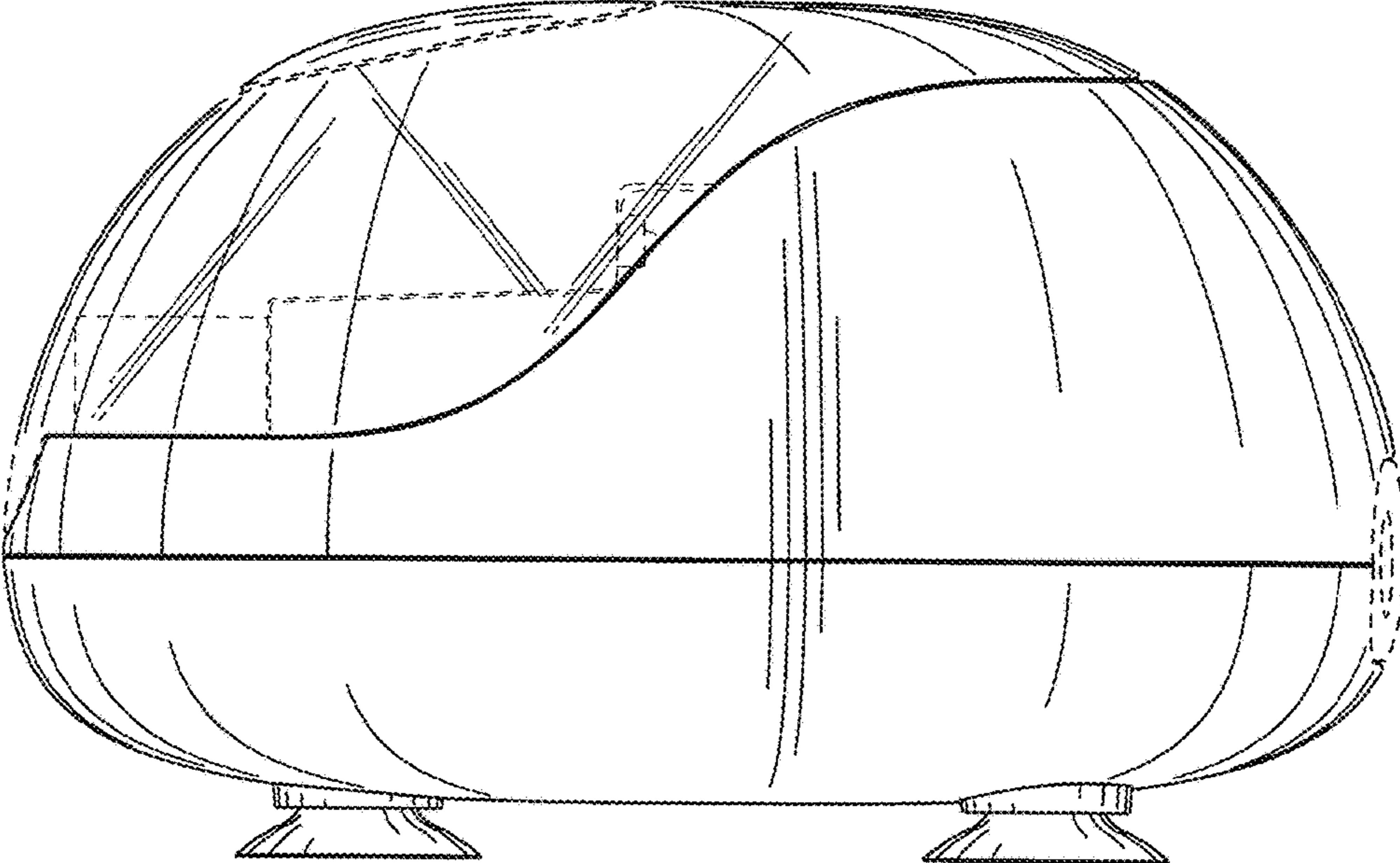


FIG. 4

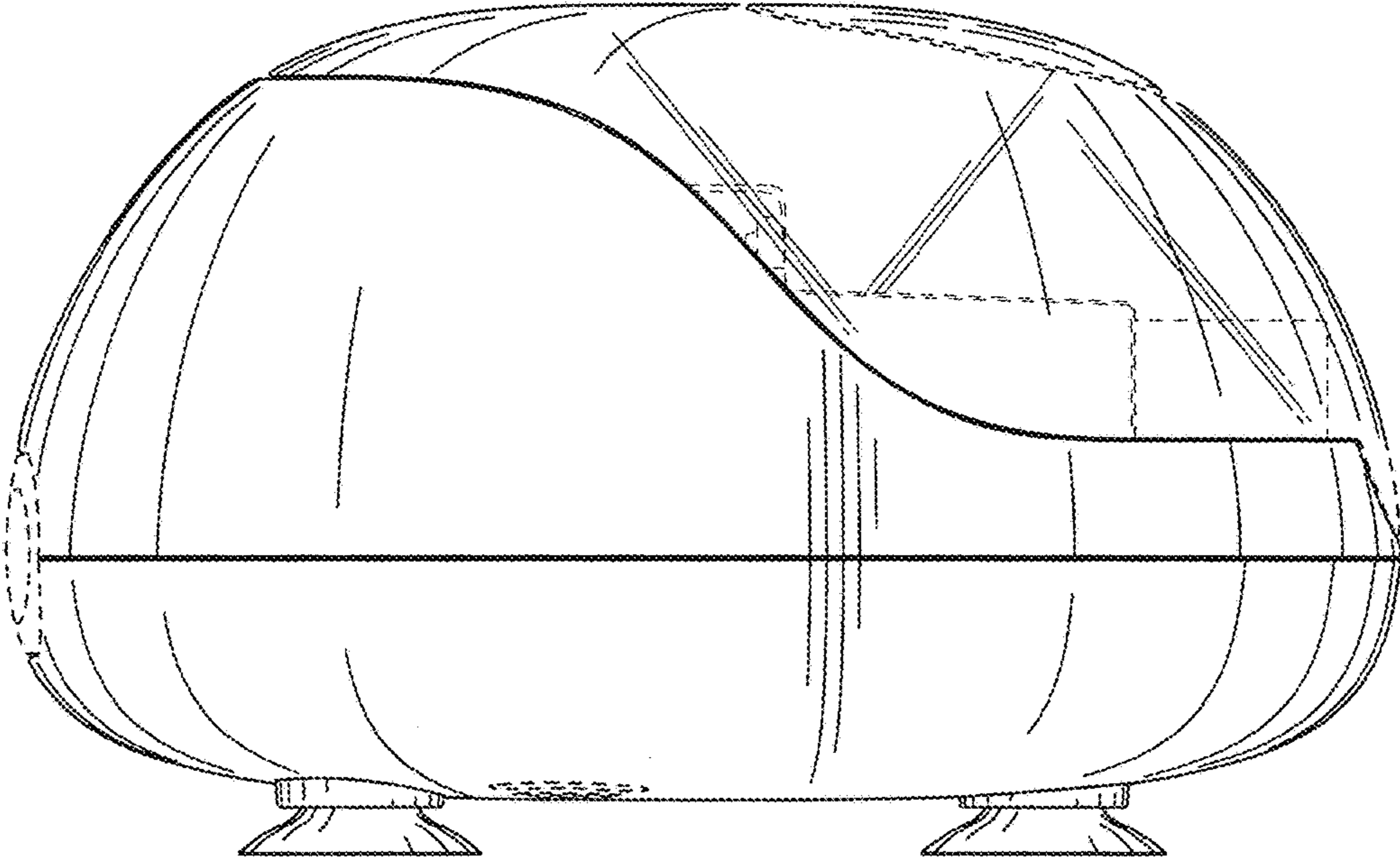


FIG. 5

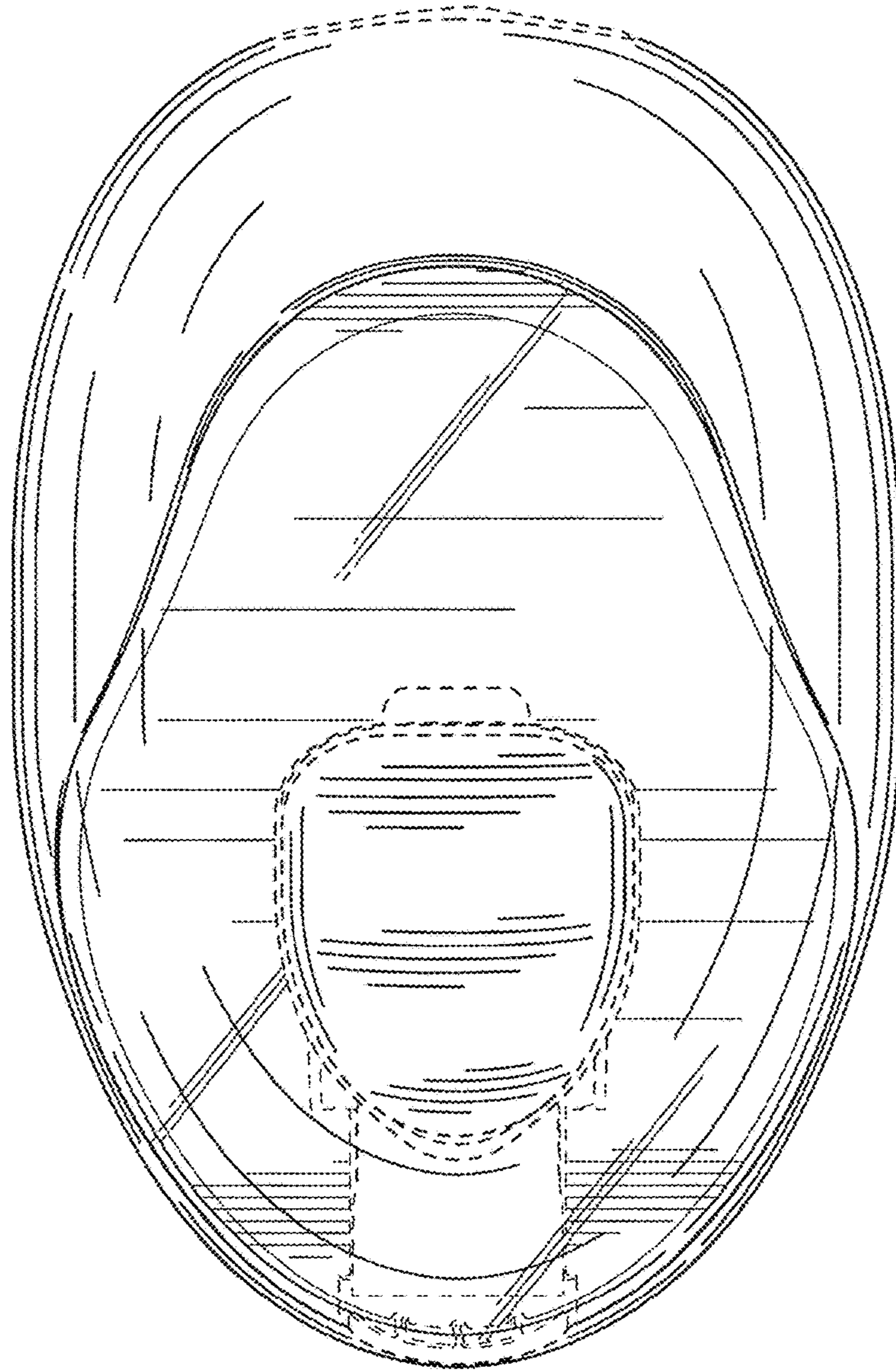


FIG. 6

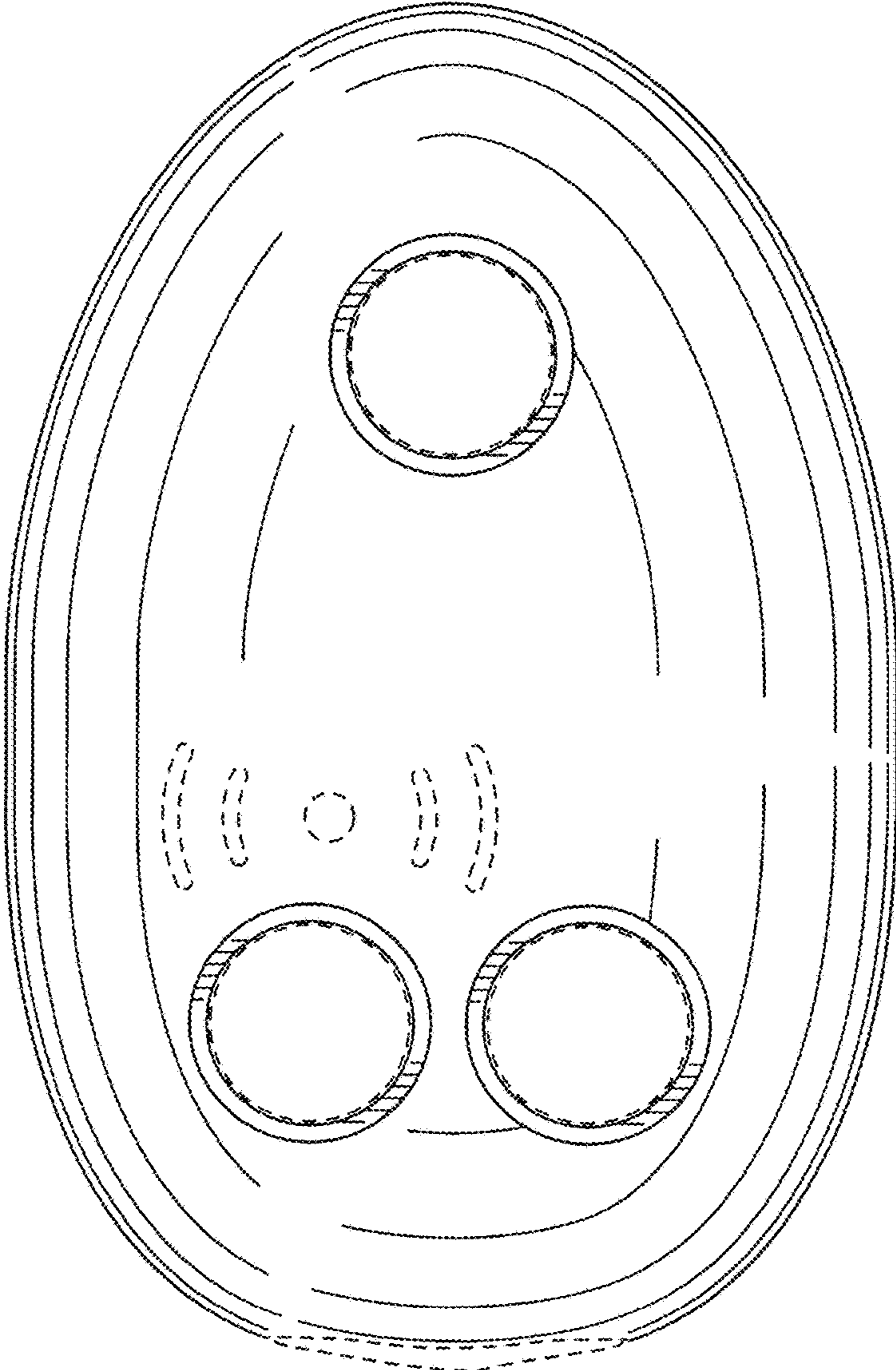


FIG. 7



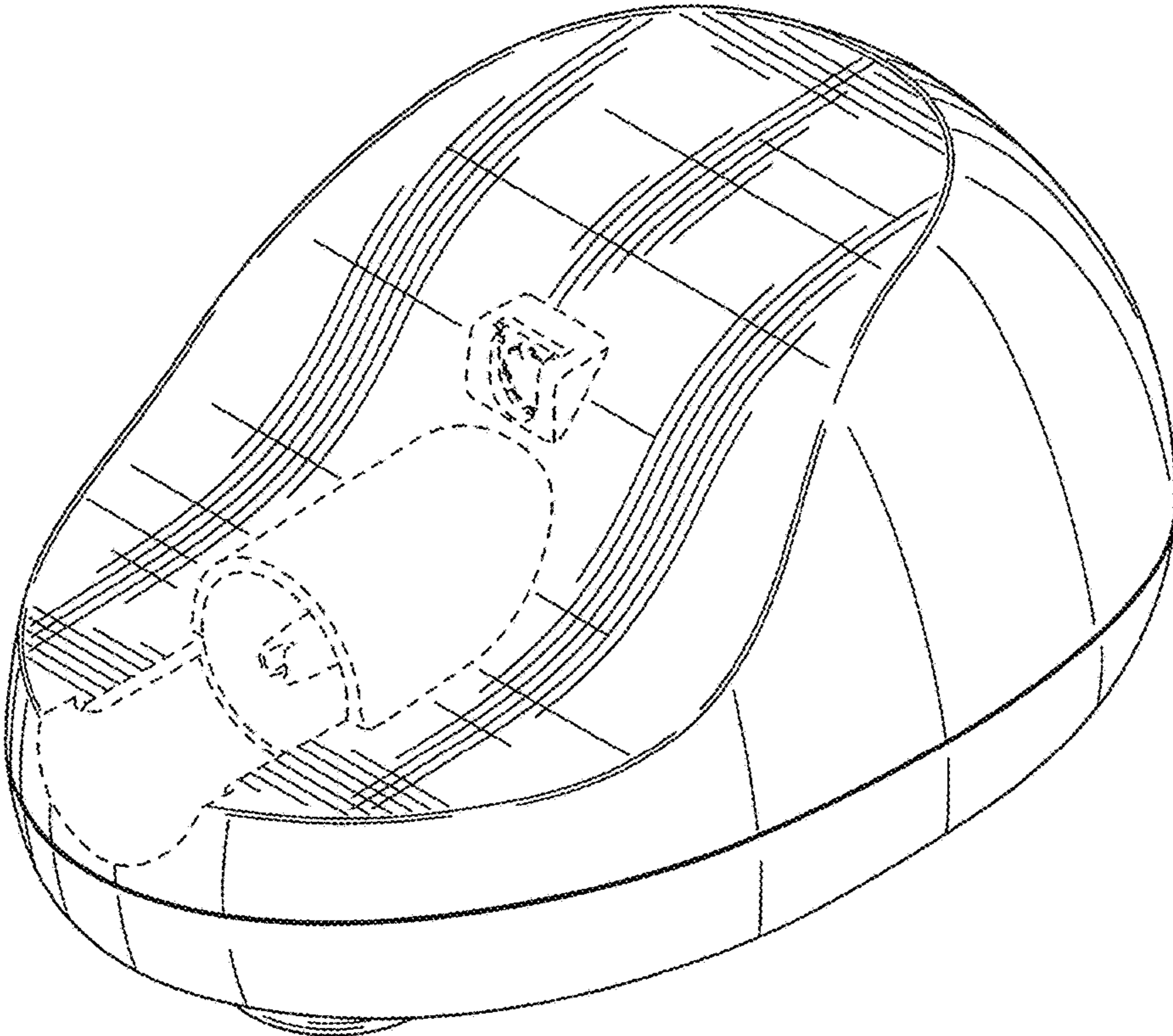


FIG. 8

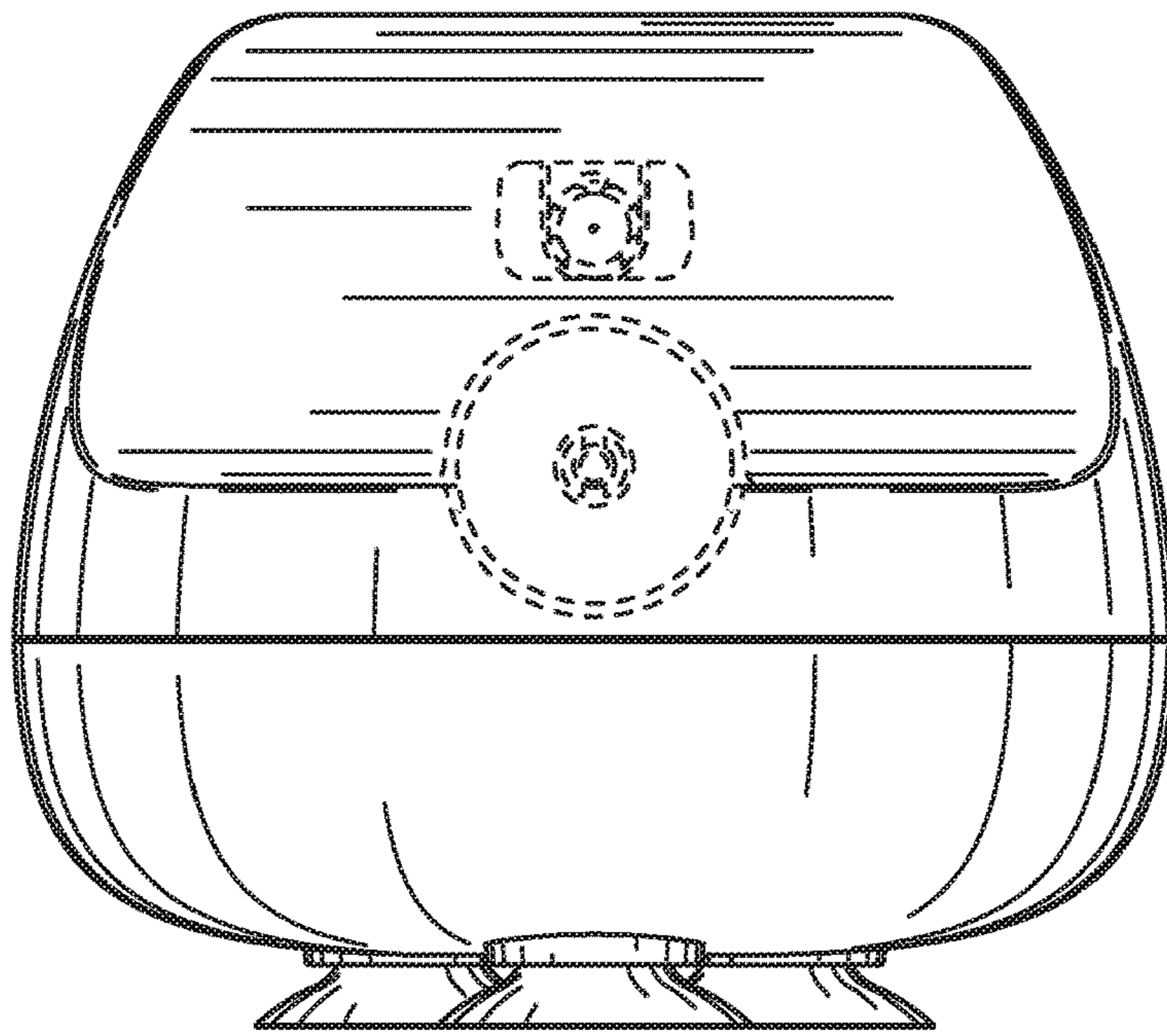


FIG. 9

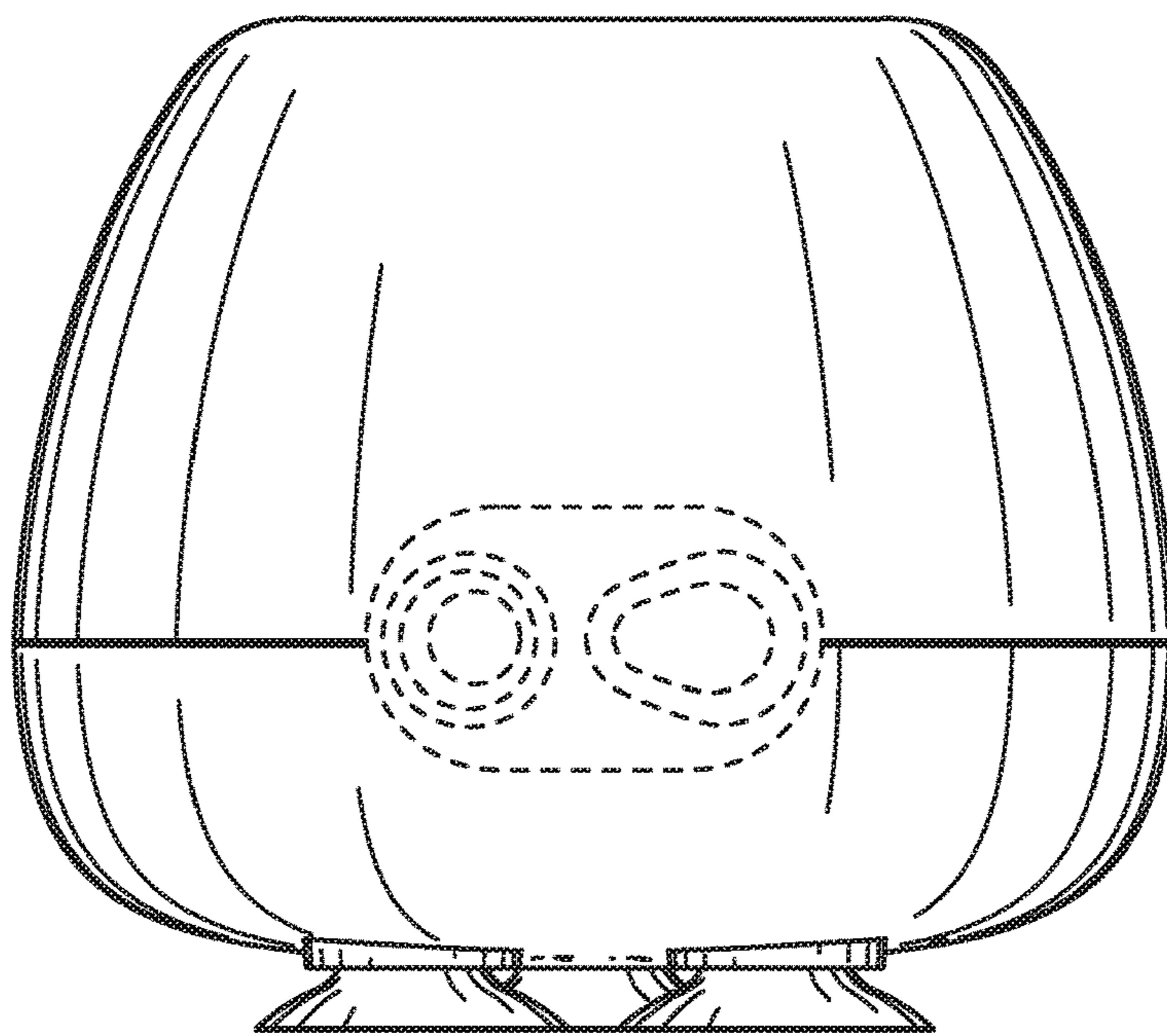


FIG. 10

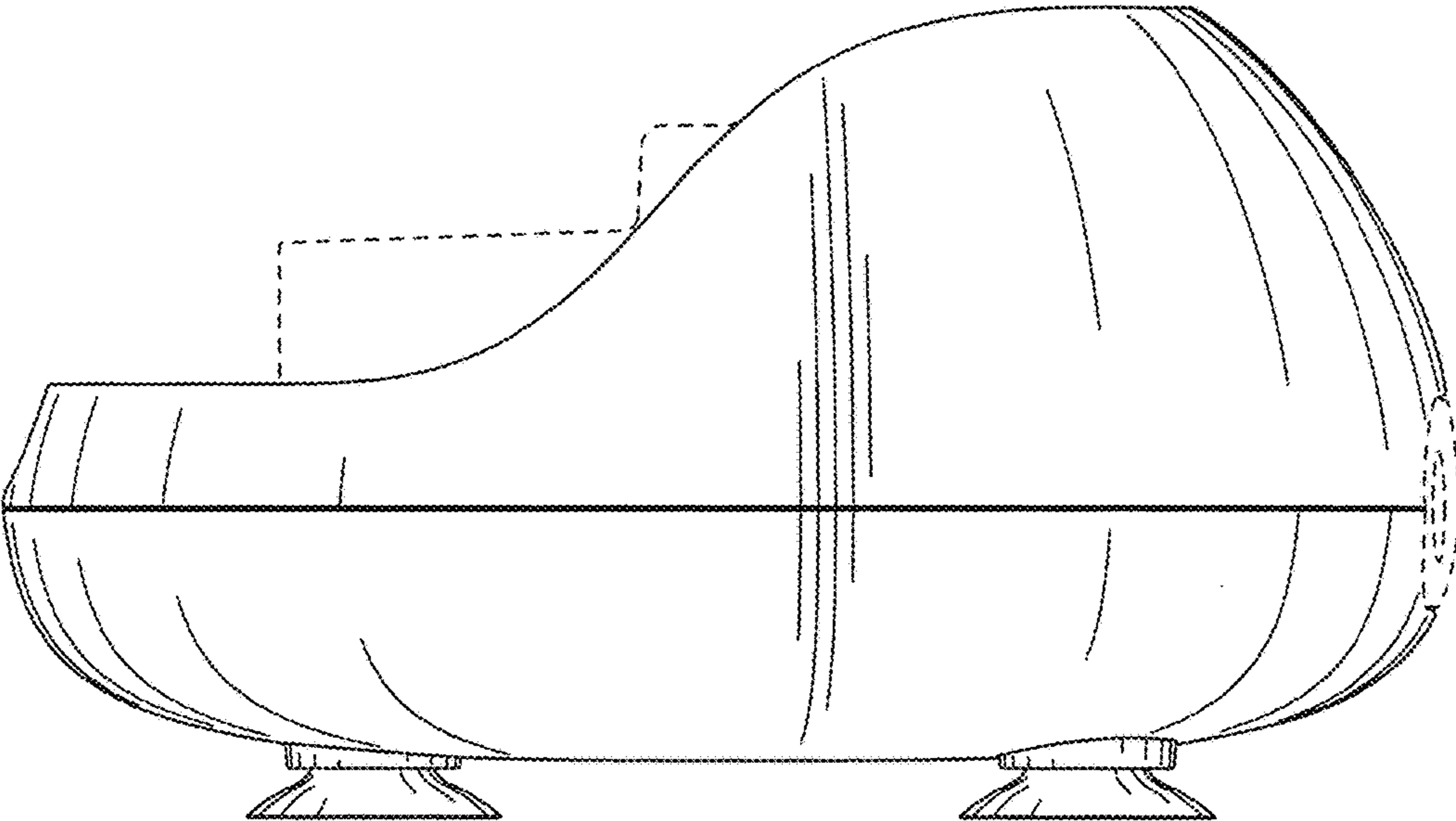


FIG. 11

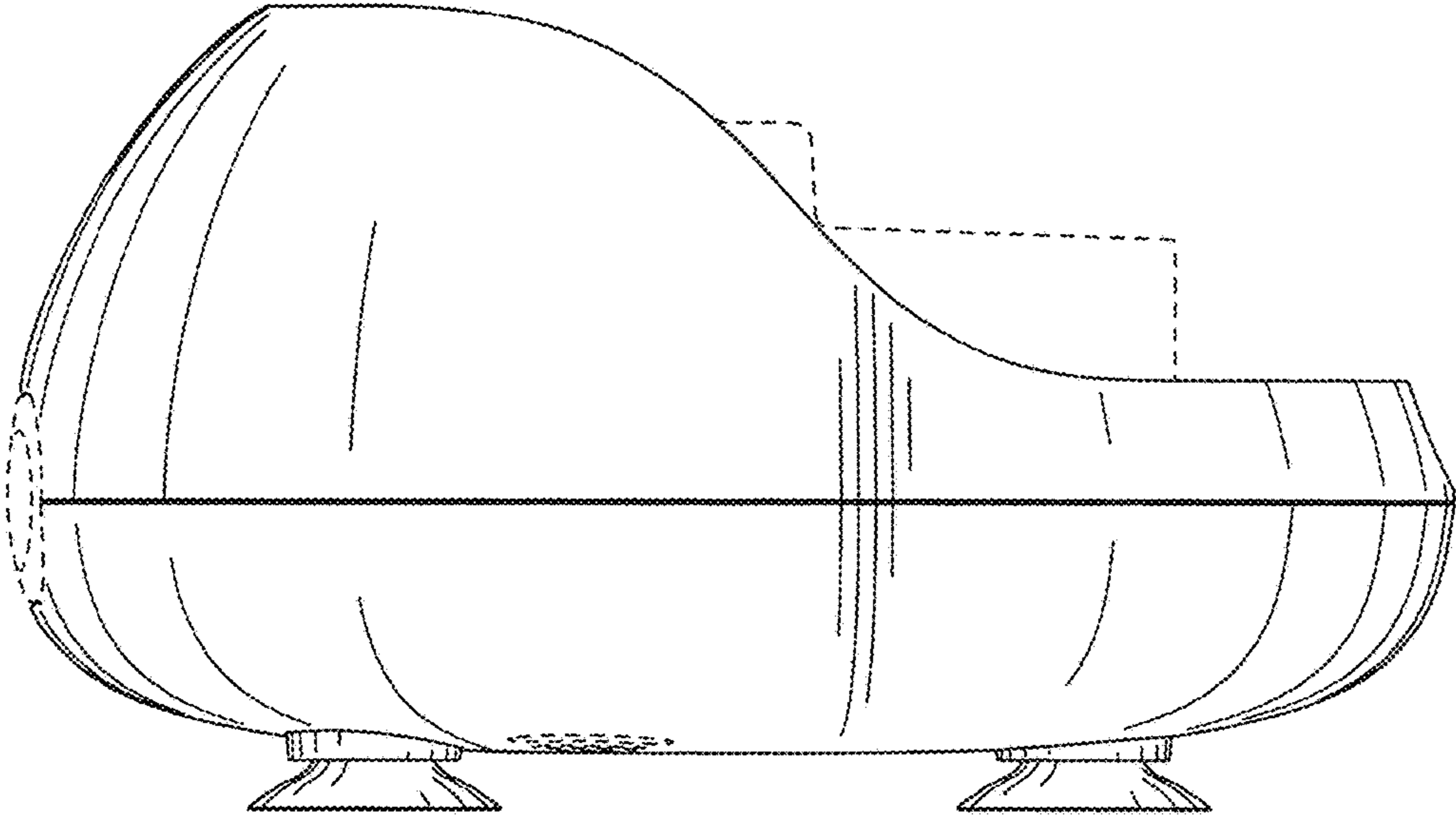


FIG. 12

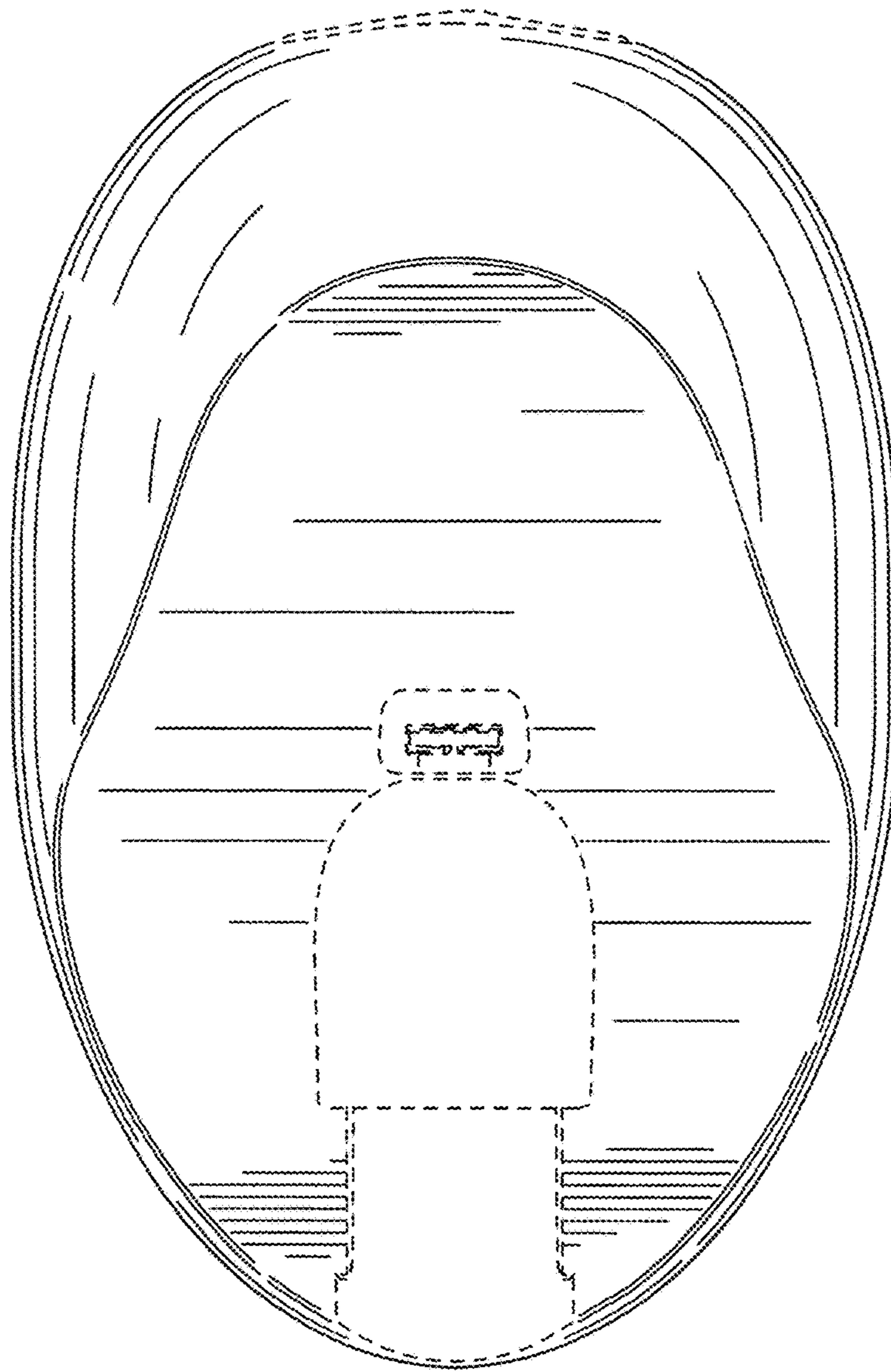


FIG. 13

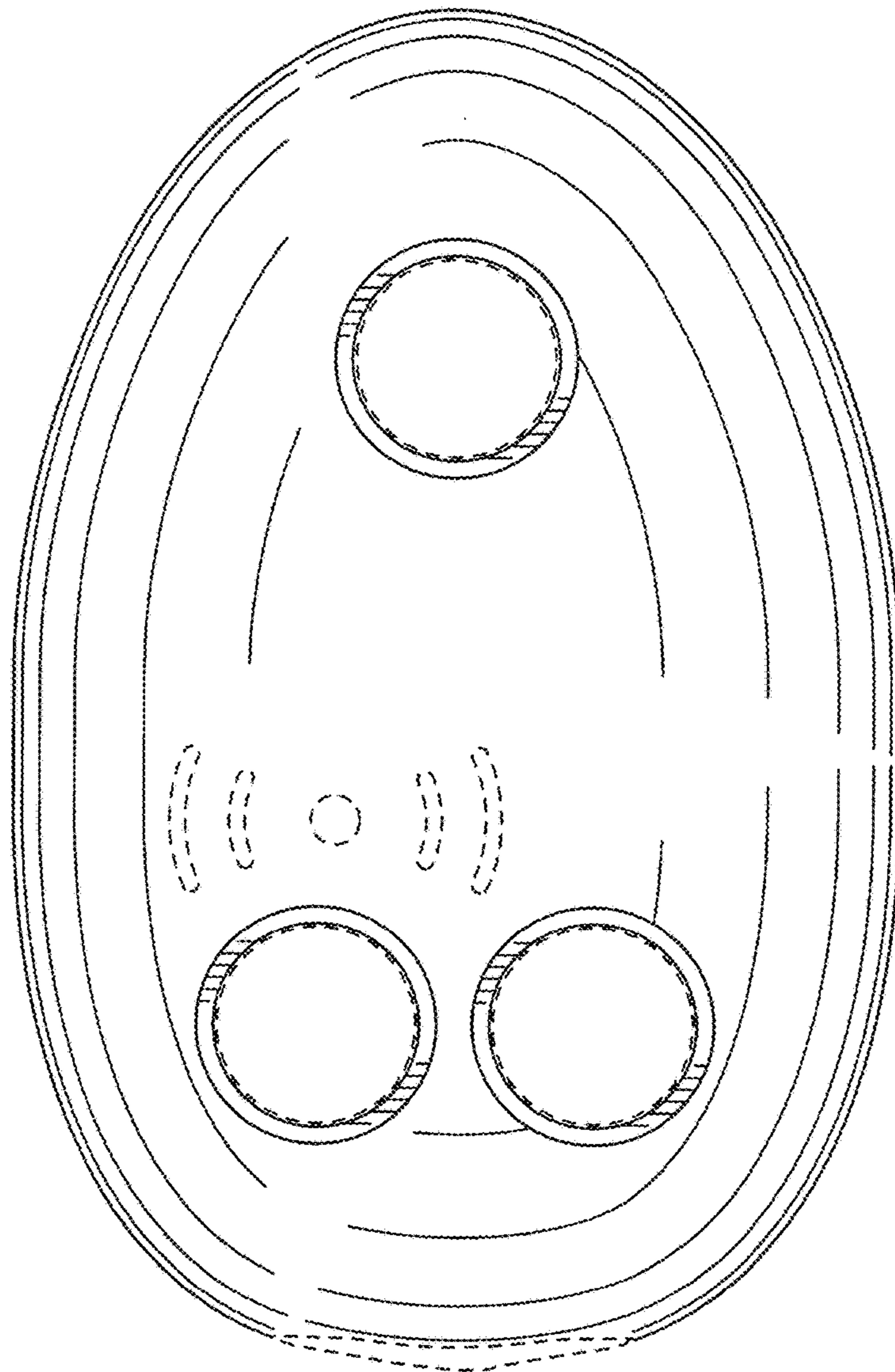


FIG. 14

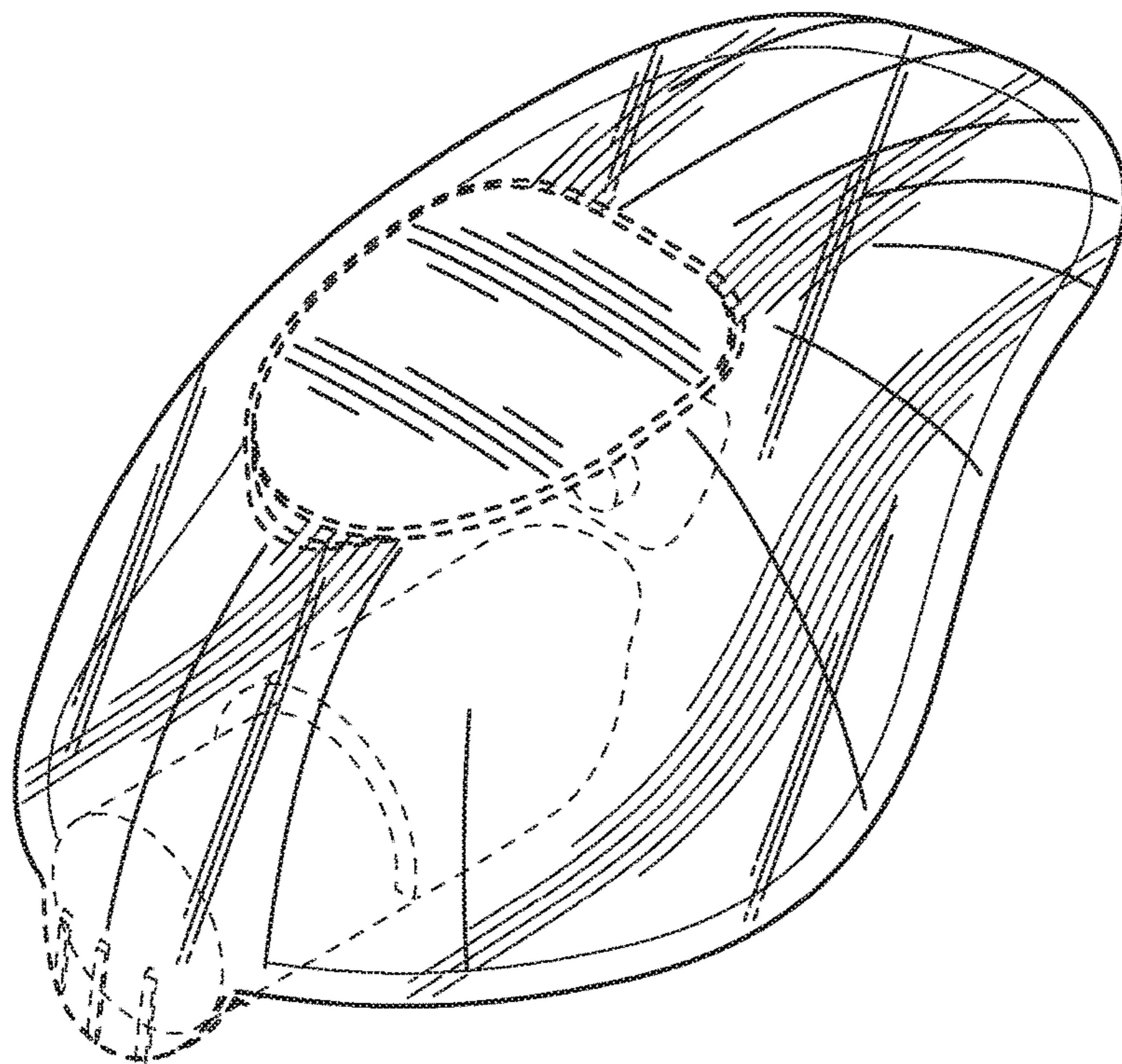


FIG. 15

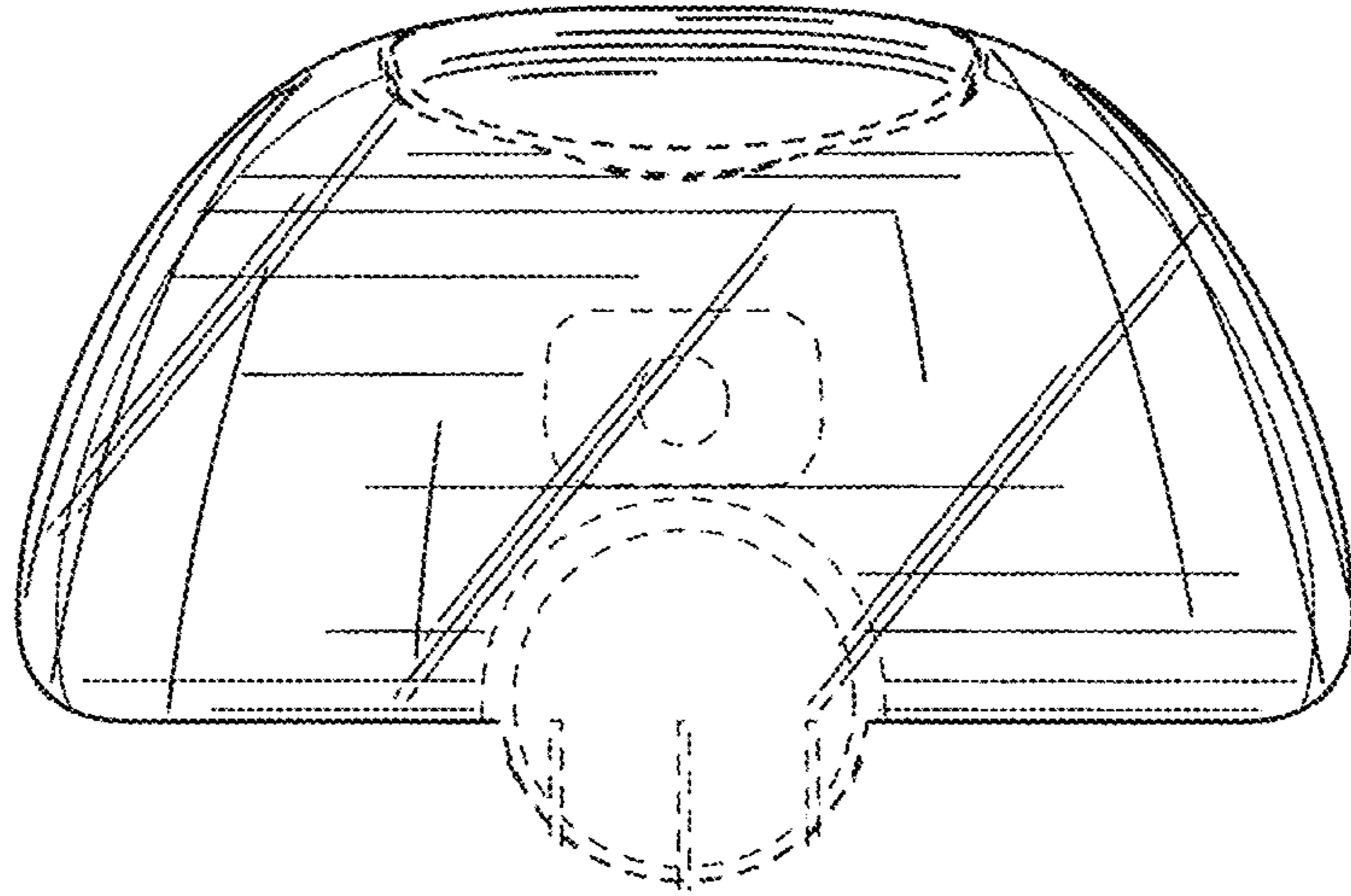


FIG. 16

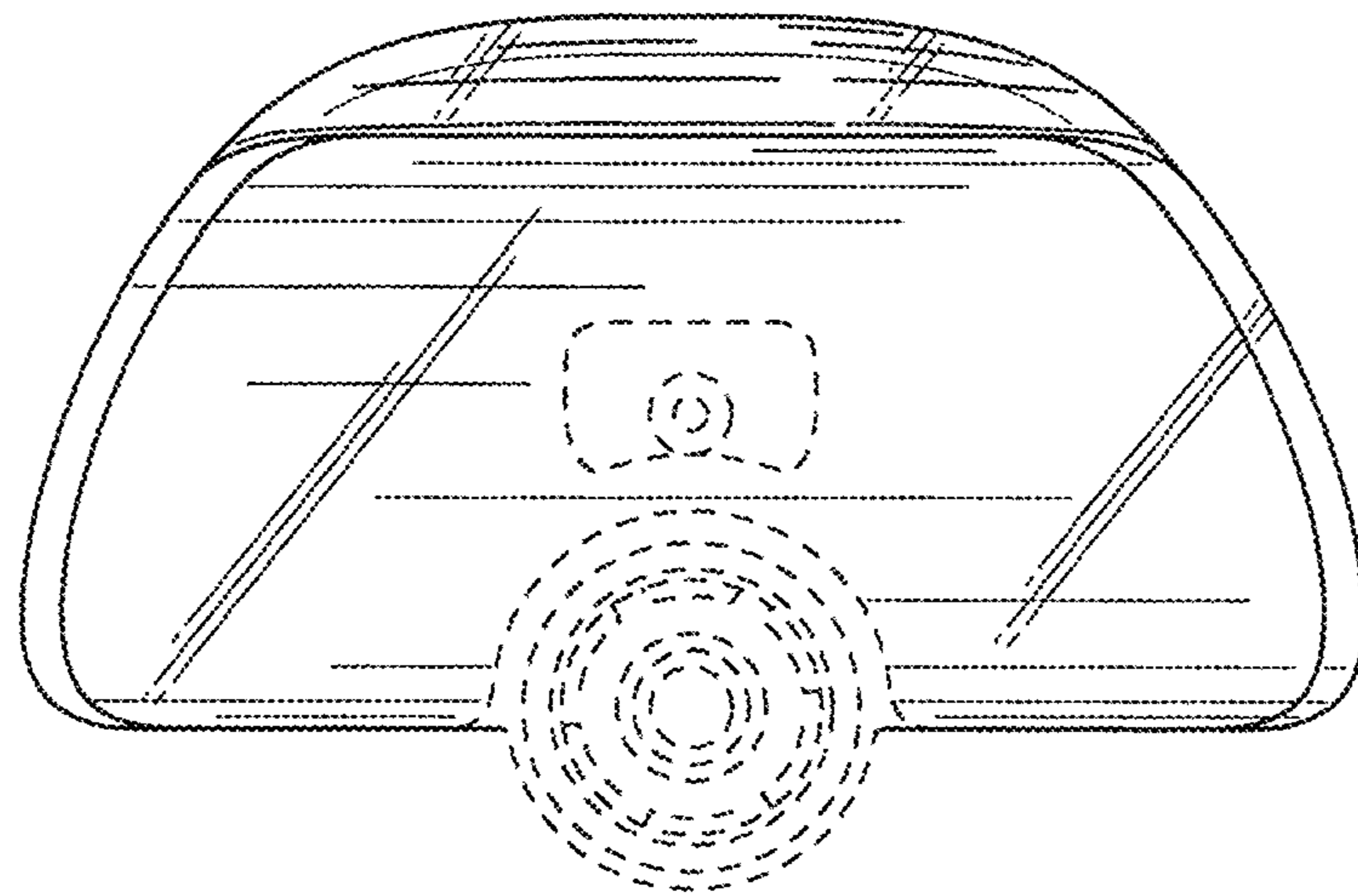


FIG. 17



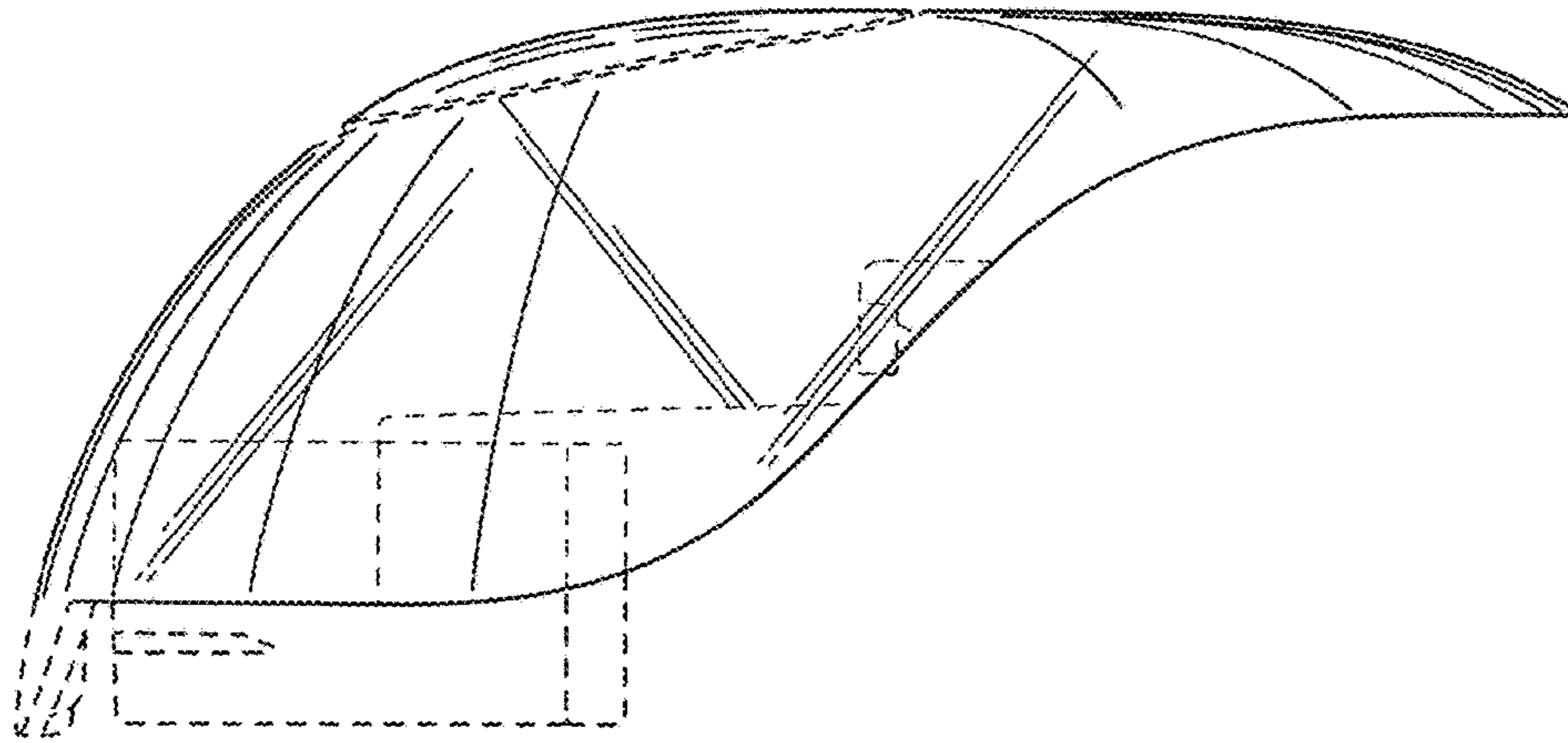


FIG. 18

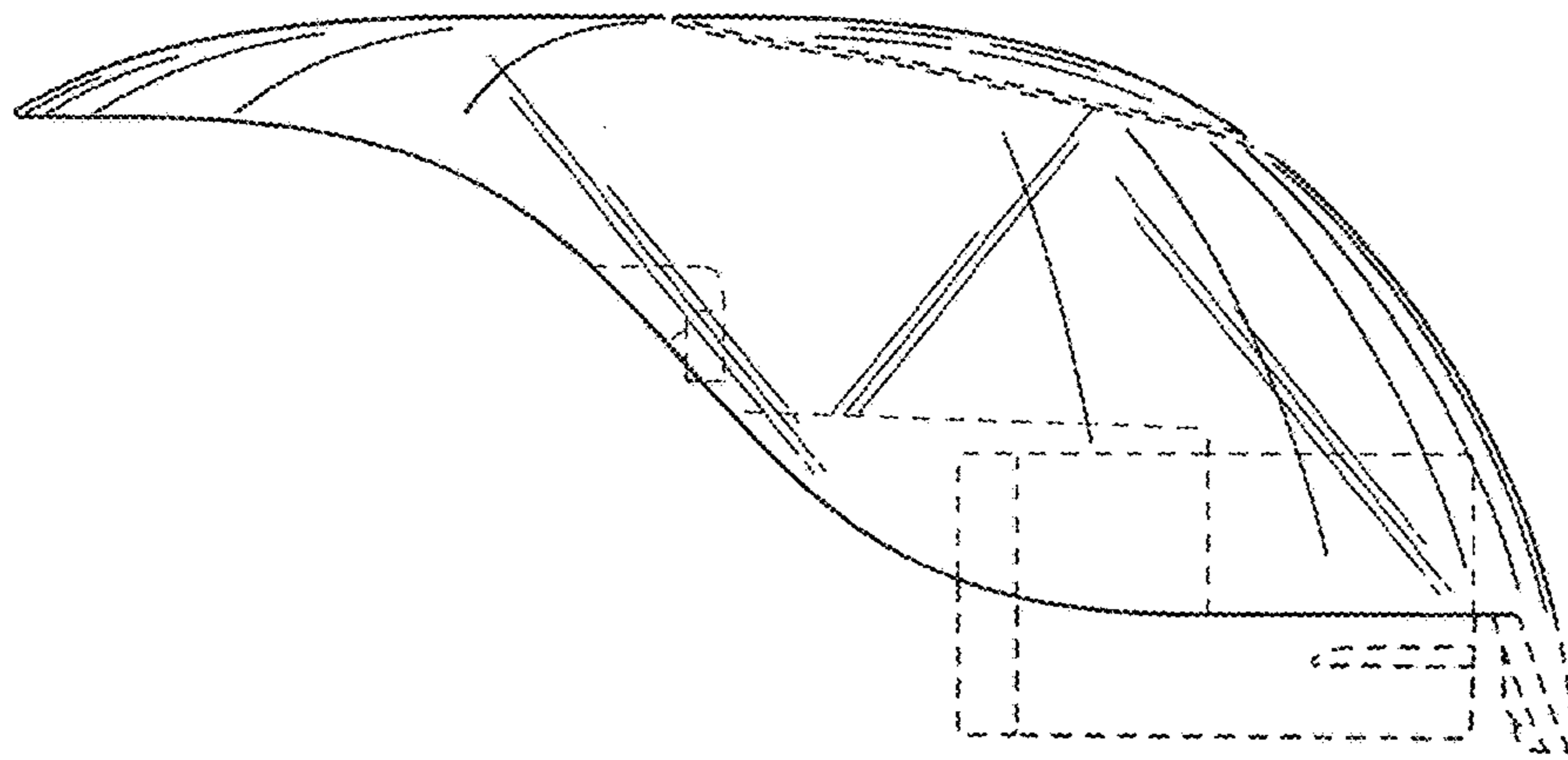


FIG. 19

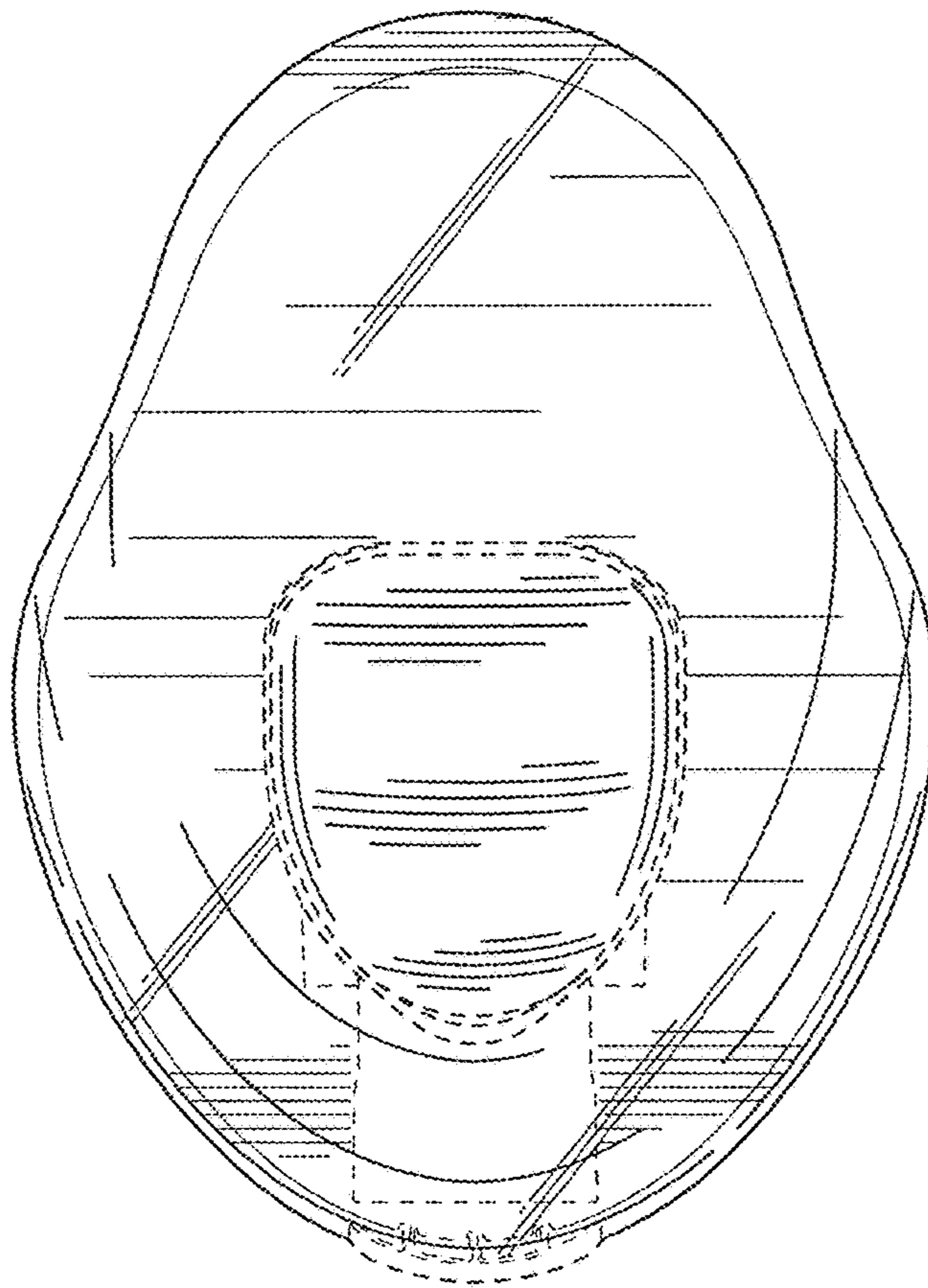


FIG. 20

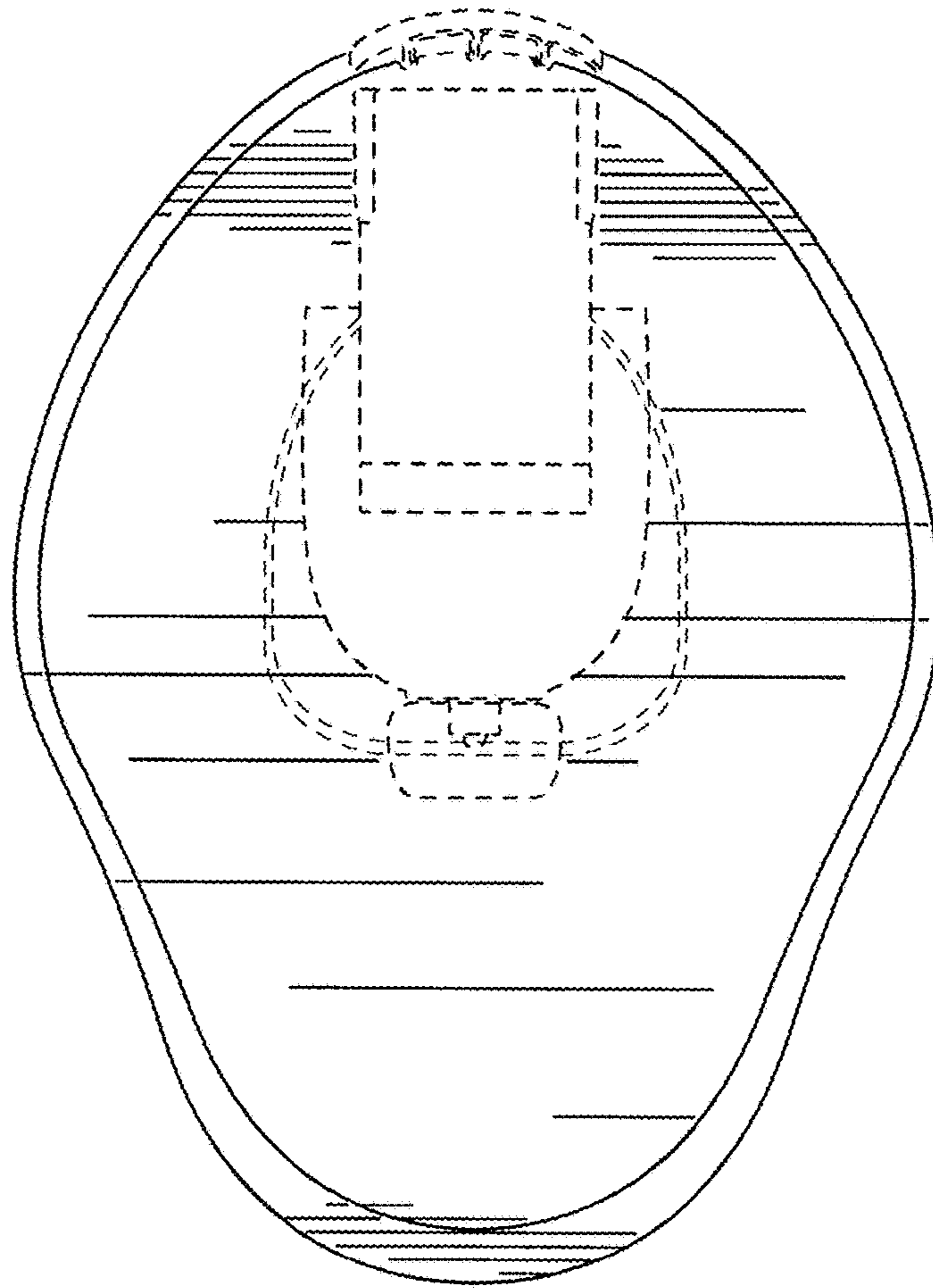


FIG. 21