

US00D864478S

(12) **United States Design Patent** (10) **Patent No.:** **US D864,478 S**
Reimann et al. (45) **Date of Patent:** **** Oct. 22, 2019**

(54) **PIPE BOWL COVER**

(71) Applicants: **William James Reimann**, Boise, ID (US); **Zain Ali Shehbaz Ali Khan**, Andheri West Mumbai (IN)

(72) Inventors: **William James Reimann**, Boise, ID (US); **Zain Ali Shehbaz Ali Khan**, Andheri West Mumbai (IN)

(73) Assignee: **William James Reimann**, Boise, ID (US)

(**) Term: **15 Years**

(21) Appl. No.: **29/629,464**

(22) Filed: **Dec. 13, 2017**

(51) **LOC (12) Cl.** **27-02**

(52) **U.S. Cl.**
USPC **D27/168**

(58) **Field of Classification Search**
USPC D27/100, 101, 102–105, 114, 137, 139, D27/141–144, 152, 153, 154, 155, 160, D27/161, 162–196, 136, 128; D23/366, D23/332, 390; D7/416; D24/110; D8/371, 380, 499; D32/25; D15/199; D9/626, 349, 432, 446; D11/143, 146; D21/406

CPC A24F 47/002; A24F 47/00; A24F 3/02; A24C 5/44; A24C 5/425

See application file for complete search history.

(56) **References Cited**

U.S. PATENT DOCUMENTS

D155,536 S * 10/1949 Pickering et al. 131/259
D364,810 S * 12/1995 Meisner D9/446
D366,288 S * 1/1996 Kino D21/406
D477,214 S * 7/2003 Vito D8/499
D477,989 S * 8/2003 Vito D8/499

D530,200 S * 10/2006 Kingsley D9/446
D582,094 S * 12/2008 Lee D27/163
D631,347 S * 1/2011 Rudolph D9/446
D674,277 S * 1/2013 Hanson D9/446
D767,390 S * 9/2016 Miksovsky D7/392.1
D779,724 S * 2/2017 Decker D27/167

(Continued)

Primary Examiner — Marissa J Cash
(74) *Attorney, Agent, or Firm* — Parsons Behle & Latimer

(57) **CLAIM**

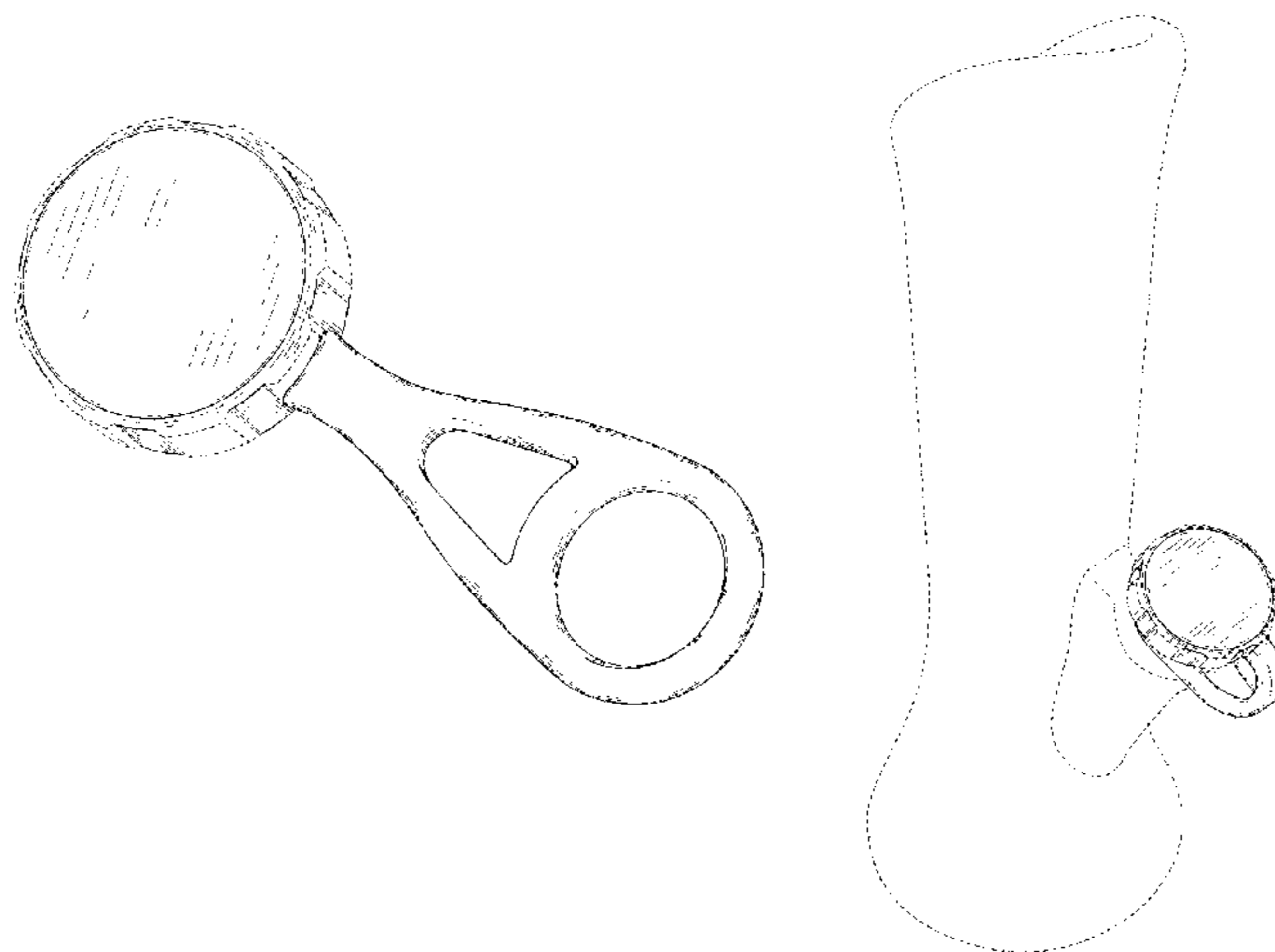
The ornamental design for a pipe bowl cover, as shown.

DESCRIPTION

FIG. 1 is a perspective view showing the top side of a pipe bowl cover embodying the new design;
FIG. 2 is a side elevation view showing the front side of a pipe bowl cover embodying the new design;
FIG. 3 is a side elevation view showing the rear side thereof;
FIG. 4 is a side elevation view showing the right side thereof;
FIG. 5 is a side elevation view showing the left side thereof;
FIG. 6 is a side elevation view showing the top side thereof;
FIG. 7 is a side elevation view showing the bottom side thereof;
FIG. 8 is a perspective view showing the bottom side view thereof; and,
FIG. 9 is a perspective view showing the pipe bowl cover in an exemplary use on a pipe bowl.

The broken line showing of a pipe in FIG. 9 depicts environmental subject matter only and form no part of the claimed design. In the drawings, the claimed design is defined by the shaded surfaces; broken lines immediately adjacent shaded surfaces represent boundaries of the claim and form no part thereof; all other broken lines depict unclaimed portions of the pipe bowl cover and form no part of the claimed design.

1 Claim, 4 Drawing Sheets



(56)

References Cited

U.S. PATENT DOCUMENTS

D797,555	S *	9/2017	Carlson	D9/436
D806,379	S *	1/2018	Korfonta	D3/202
D812,978	S *	3/2018	Swan	D7/511
D822,735	S *	7/2018	Dimattia, Jr.	D15/199
D825,332	S *	8/2018	Miksovsky	D9/446
D838,409	S *	1/2019	Reimann	D27/162
D838,410	S *	1/2019	Reimann	D27/162
D839,730	S *	2/2019	Wang	D9/446
D847,418	S *	4/2019	Reimann	D27/164
2006/0096987	A1 *	5/2006	Wry	A47G 23/0266 220/375
2010/0096398	A1 *	4/2010	Gorskey	B65D 47/06 220/793

* cited by examiner

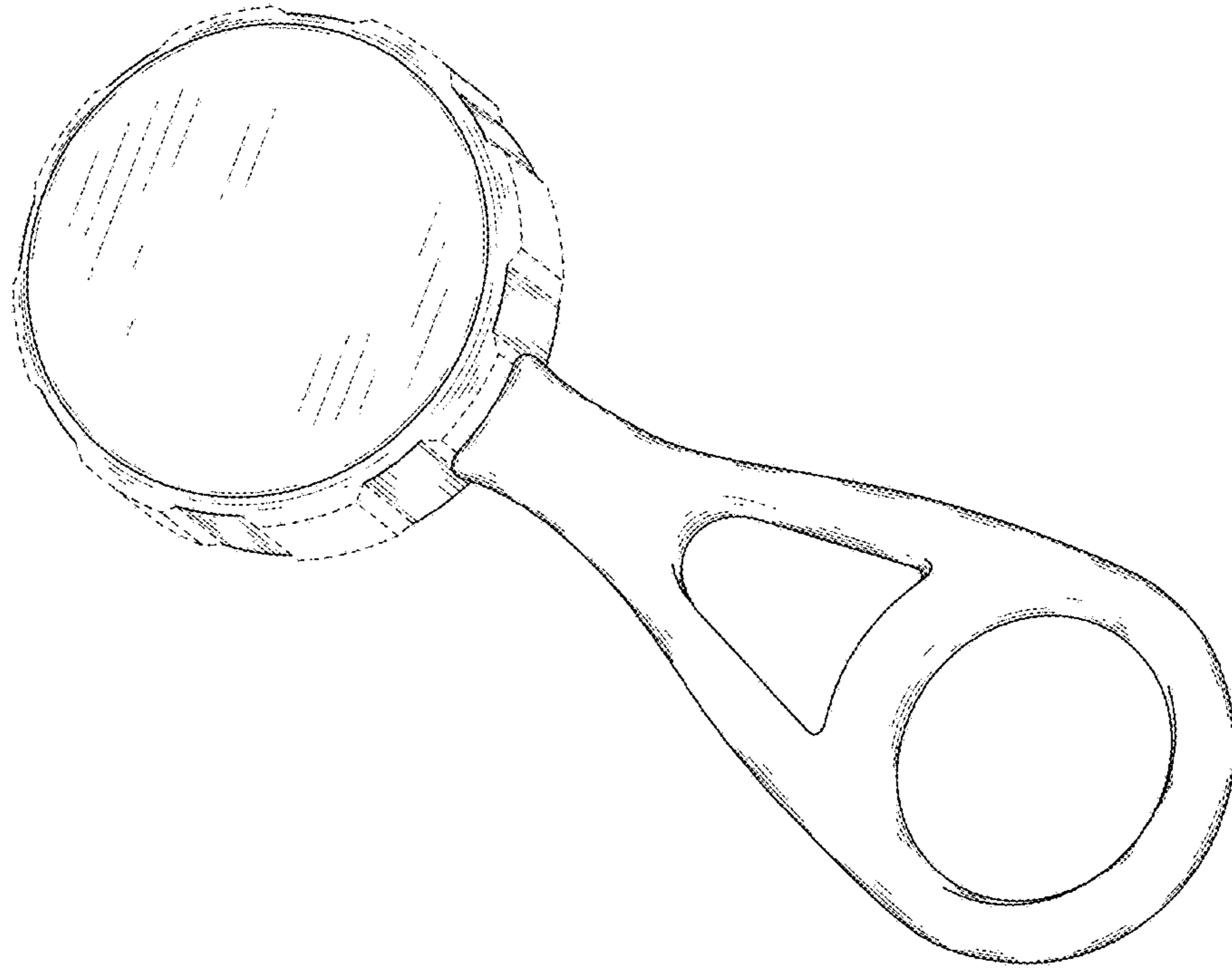


FIG. 1

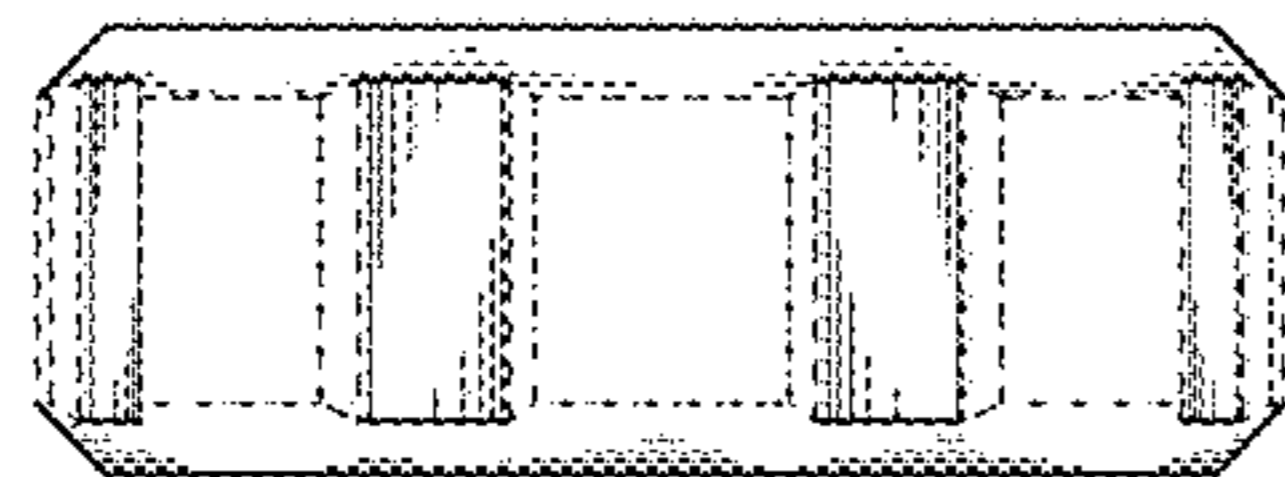


FIG. 2

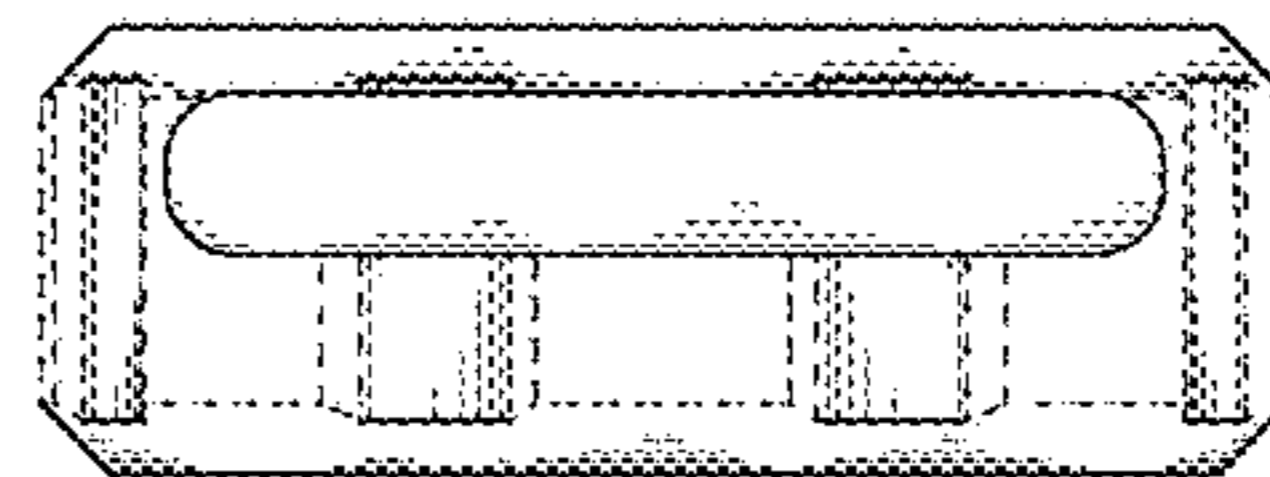


FIG. 3

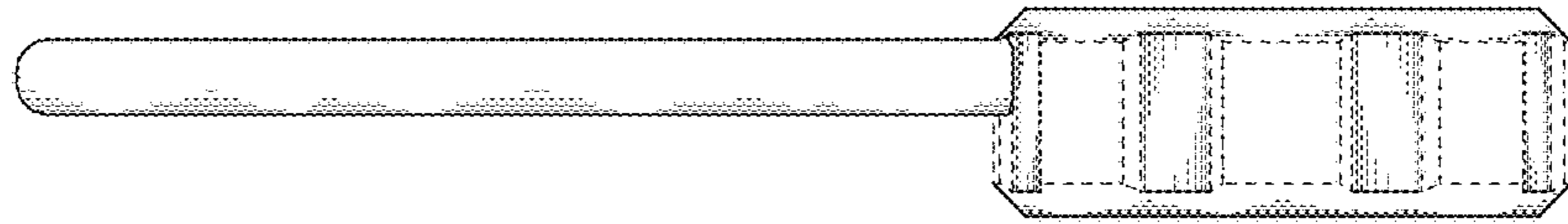


FIG. 4

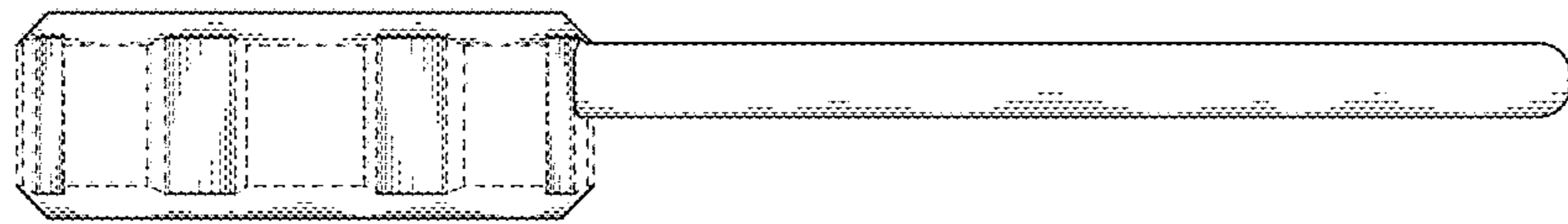


FIG. 5

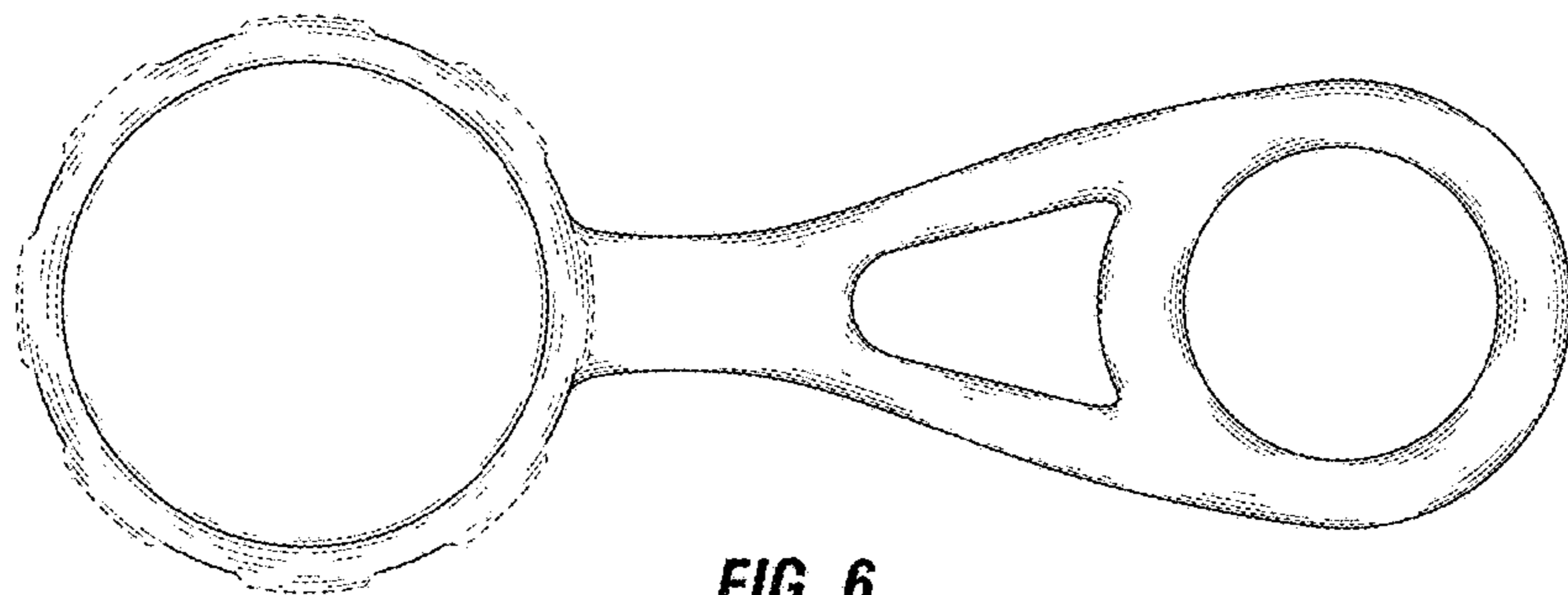


FIG. 6

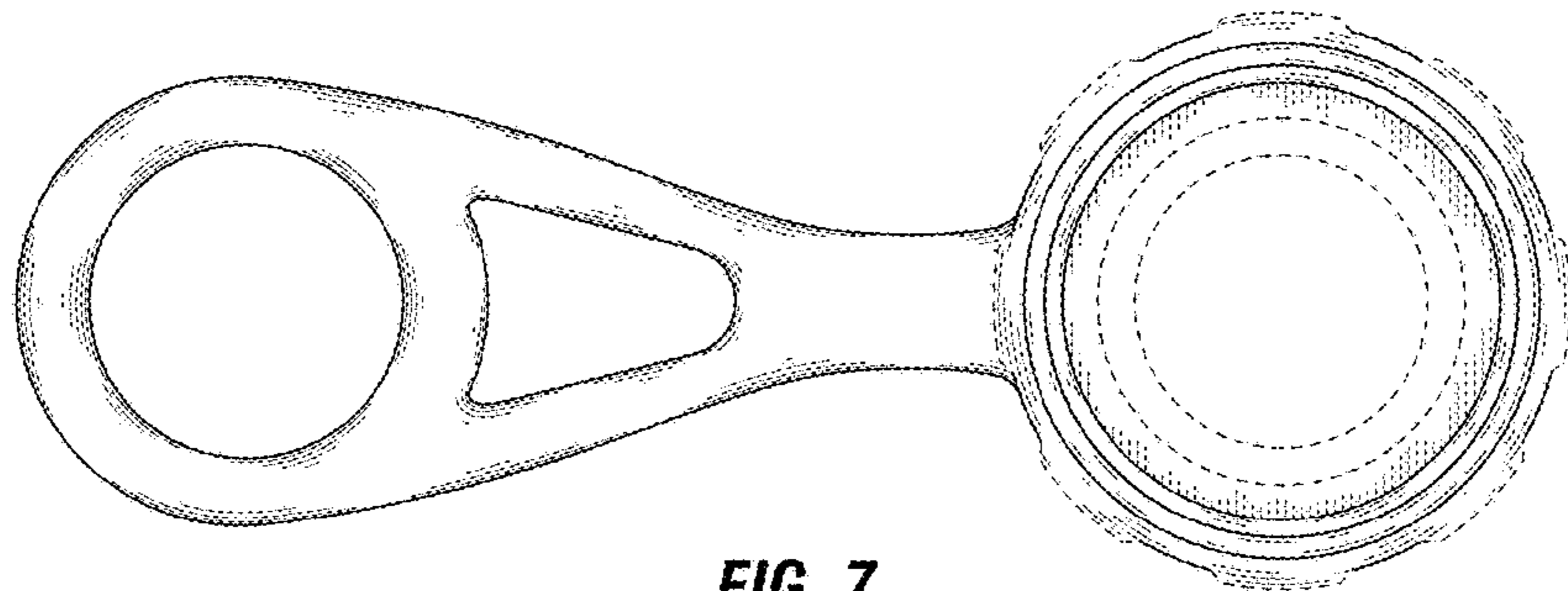


FIG. 7

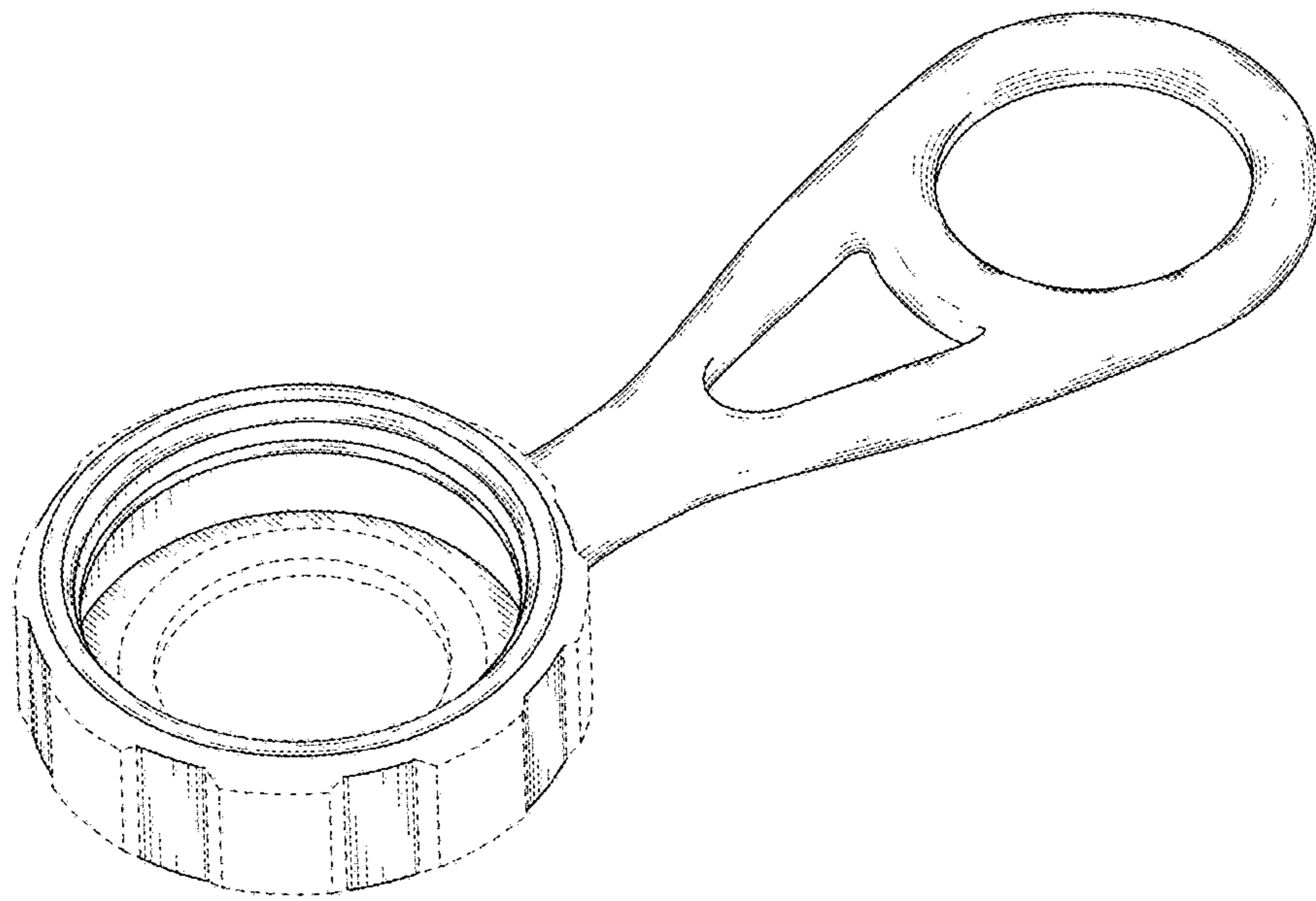


FIG. 8

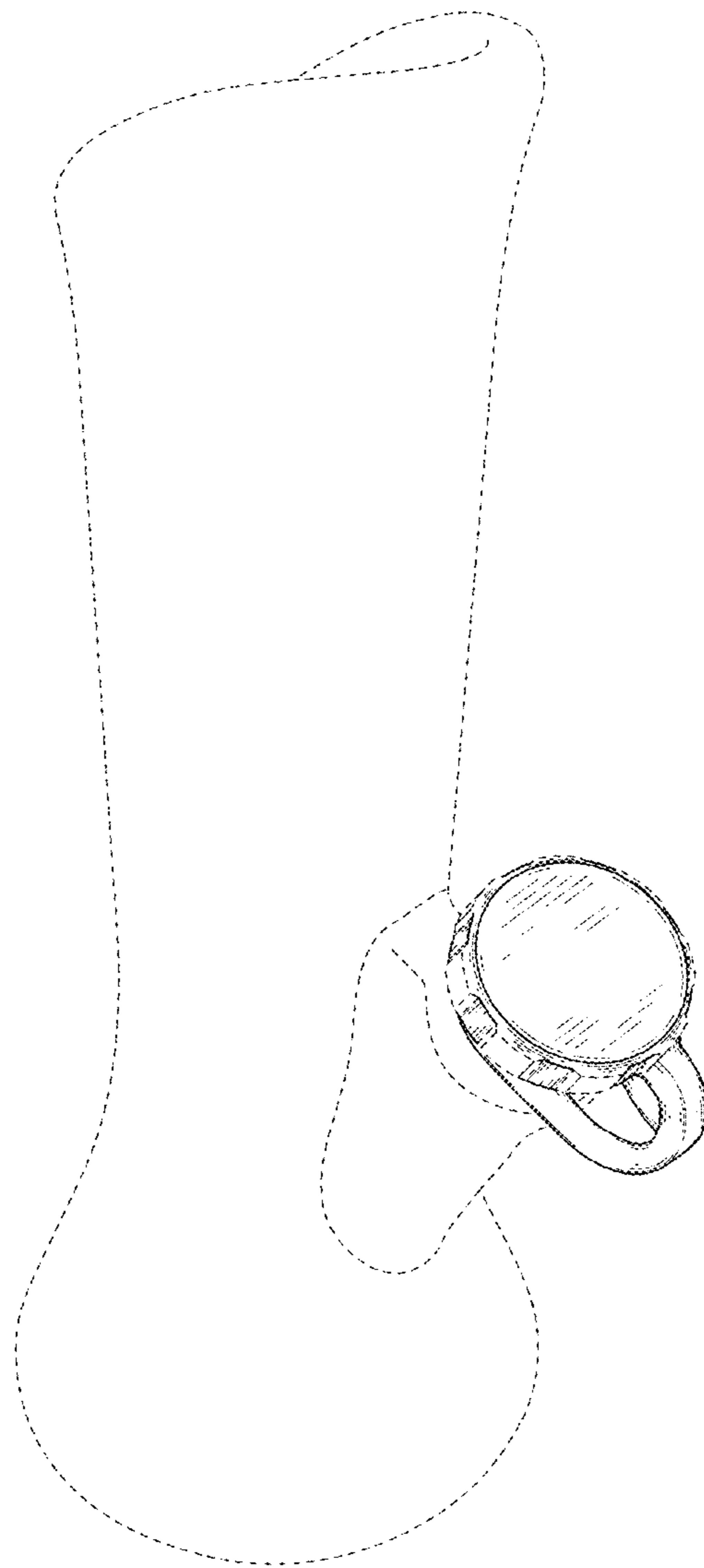


FIG. 9