

US00D864477S

(12) **United States Design Patent** (10) **Patent No.:** **US D864,477 S**  
**Liu** (45) **Date of Patent:** **\*\* Oct. 22, 2019**

(54) **E-CIGARETTE ATOMIZER**

(71) Applicant: **Tuanfang Liu, Ji'an (CN)**

(72) Inventor: **Tuanfang Liu, Ji'an (CN)**

(\*\*) Term: **15 Years**

(21) Appl. No.: **29/633,055**

(22) Filed: **Jan. 11, 2018**

(30) **Foreign Application Priority Data**

Nov. 21, 2017 (CN) ..... 2017 3 0574265

(51) **LOC (12) Cl.** ..... **27-02**

(52) **U.S. Cl.**  
USPC ..... **D27/167**

(58) **Field of Classification Search**  
USPC ..... D27/100, 101, 102-105, 114, 137, 139,  
D27/141-144, 152, 153, 154, 155, 160,  
D27/161, 162-196, 136, 128; D23/366,  
D23/209; D7/416; D24/110; D8/371,  
D8/380, 499; D32/25; D15/199;  
D9/626, 349, 432; D11/143, 146  
CPC ..... A24F 47/002; A24F 47/00; A24F 3/02;  
A24C 5/44; A24C 5/425

See application file for complete search history.

(56) **References Cited**

**U.S. PATENT DOCUMENTS**

|              |         |         |       |          |
|--------------|---------|---------|-------|----------|
| D346,640 S * | 5/1994  | Kim     | ..... | D23/209  |
| D494,474 S * | 8/2004  | Houk    | ..... | D27/190  |
| D599,953 S * | 9/2009  | Gibson  | ..... | D27/190  |
| D621,603 S * | 8/2010  | Traylor | ..... | D3/203.2 |
| D626,687 S * | 11/2010 | Gibson  | ..... | D27/183  |
| D636,844 S * | 4/2011  | Herre   | ..... | D23/213  |
| D653,127 S * | 1/2012  | Cronin  | ..... | D27/172  |

|              |         |                |       |         |
|--------------|---------|----------------|-------|---------|
| D683,497 S * | 5/2013  | Ghiotti        | ..... | D27/186 |
| D683,498 S * | 5/2013  | Ghiotti        | ..... | D27/186 |
| D686,693 S * | 7/2013  | Schaub         | ..... | D23/209 |
| D698,017 S * | 1/2014  | Modesto        | ..... | D23/365 |
| D702,398 S * | 4/2014  | Fakhouri       | ..... | D27/181 |
| D713,598 S * | 9/2014  | Ghiotti        | ..... | D27/186 |
| D740,488 S * | 10/2015 | Leidel         | ..... | D27/167 |
| D742,065 S * | 10/2015 | Leidel         | ..... | D27/167 |
| D757,996 S * | 5/2016  | Hua            | ..... | D27/101 |
| D762,833 S * | 8/2016  | Ogg            | ..... | D23/365 |
| D768,511 S * | 10/2016 | Kovacovich     | ..... | D27/183 |
| D783,896 S * | 4/2017  | Henderson, Jr. | ..... | D27/196 |
| D802,835 S * | 11/2017 | Bagai          | ..... | D27/167 |
| D802,836 S * | 11/2017 | Ghiotti        | ..... | D27/186 |
| D804,721 S * | 12/2017 | Ghiotti        | ..... | D27/186 |
| D811,652 S * | 2/2018  | Liu            | ..... | D27/167 |
| D833,673 S * | 11/2018 | Booth          | ..... | D27/194 |
| D836,243 S * | 12/2018 | Liu            | ..... | D27/167 |

\* cited by examiner

*Primary Examiner* — Marissa J Cash  
(74) *Attorney, Agent, or Firm* — Matthias Scholl P.C.;  
Matthias Scholl

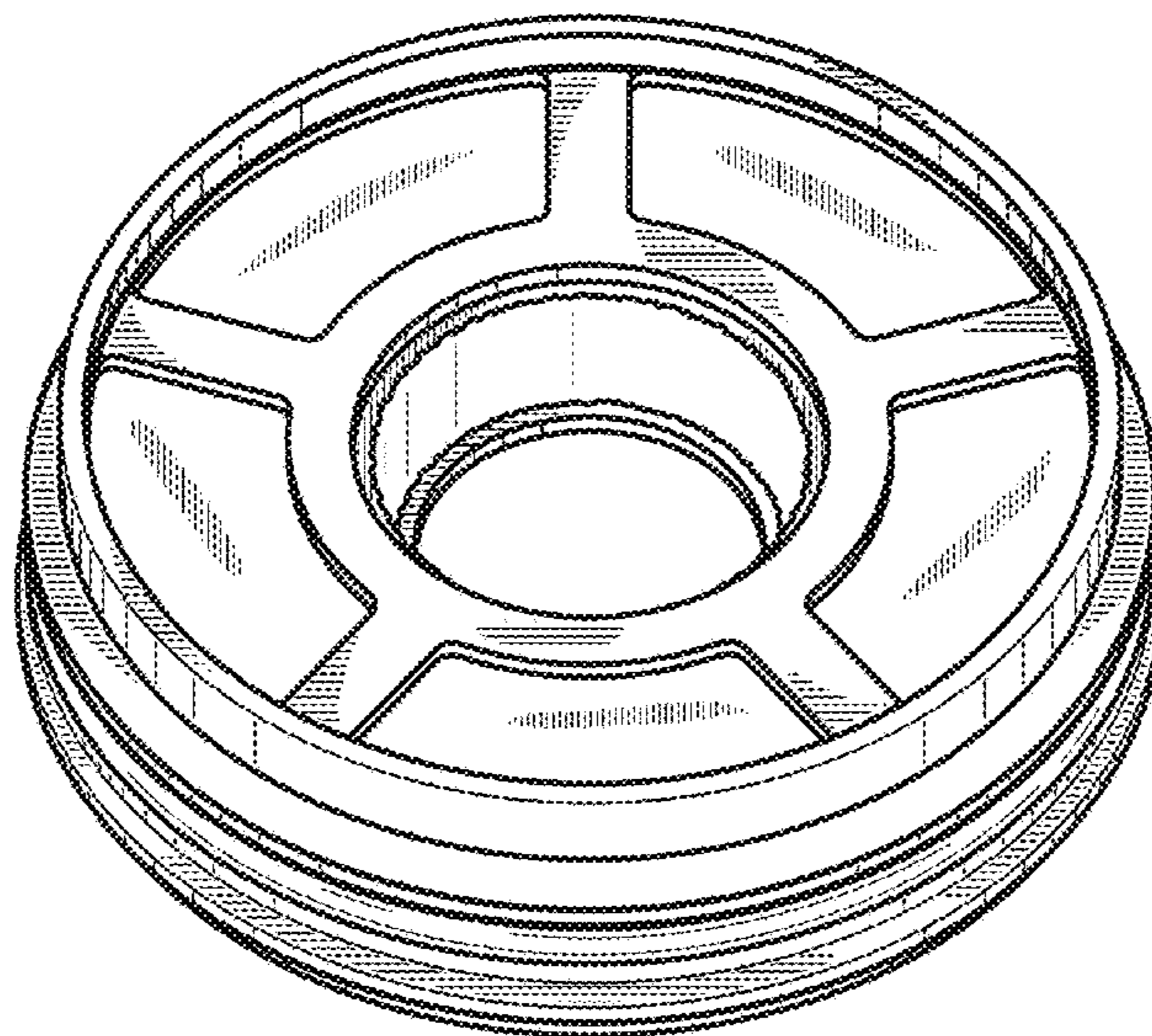
(57) **CLAIM**

The ornamental design for an e-cigarette atomizer, as shown and described.

**DESCRIPTION**

FIG. 1 is a front elevation view of an e-cigarette atomizer; FIG. 2 is a rear elevation view thereof; FIG. 3 is a left-side elevation view thereof; FIG. 4 is a right-side elevation view thereof; FIG. 5 is a top plan view thereof; FIG. 6 is a bottom plan view thereof; FIG. 7 is a perspective view thereof; and, FIG. 8 is a bottom perspective view thereof.

**1 Claim, 4 Drawing Sheets**



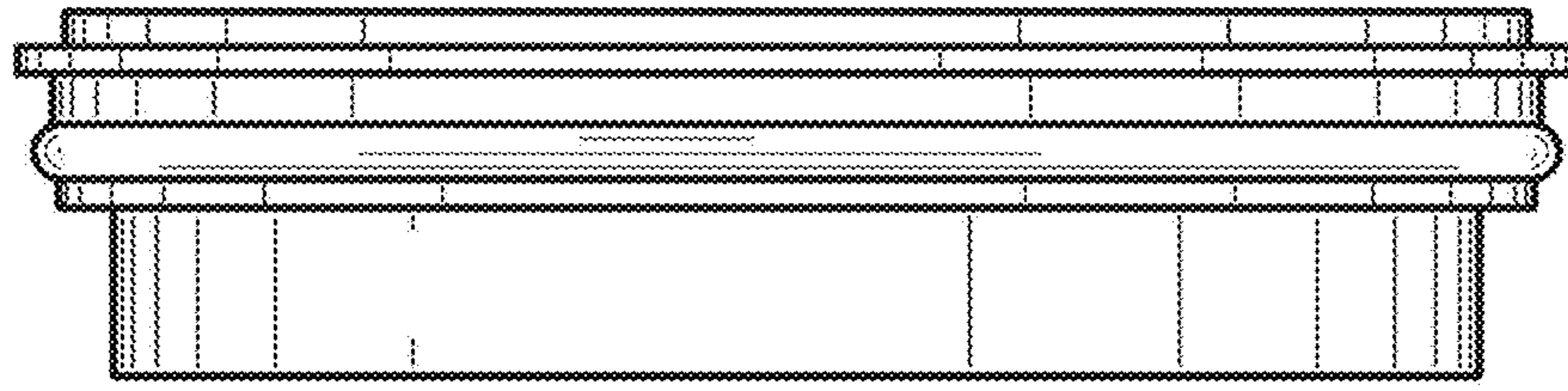


FIG. 1

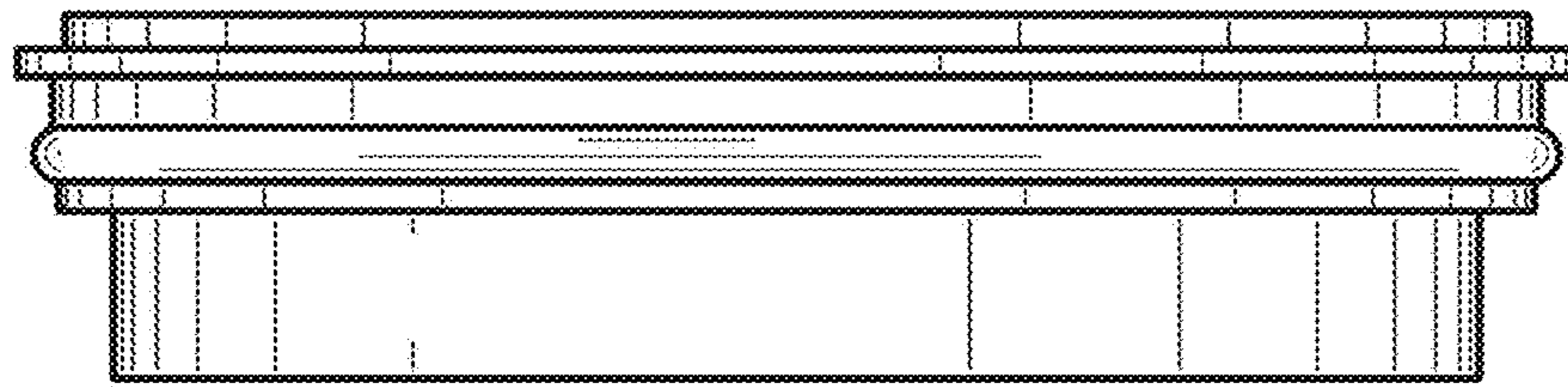


FIG. 2

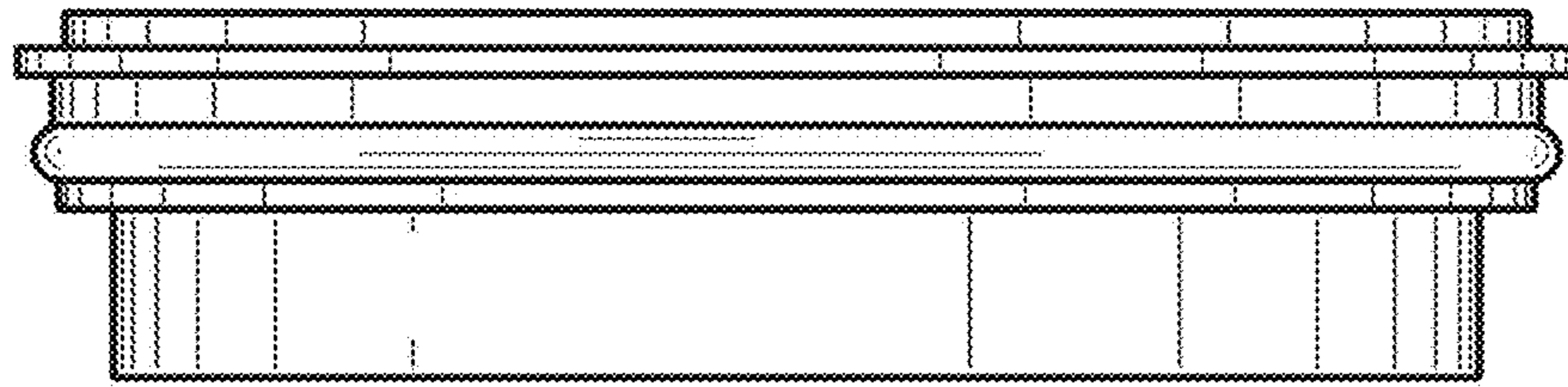


FIG. 3

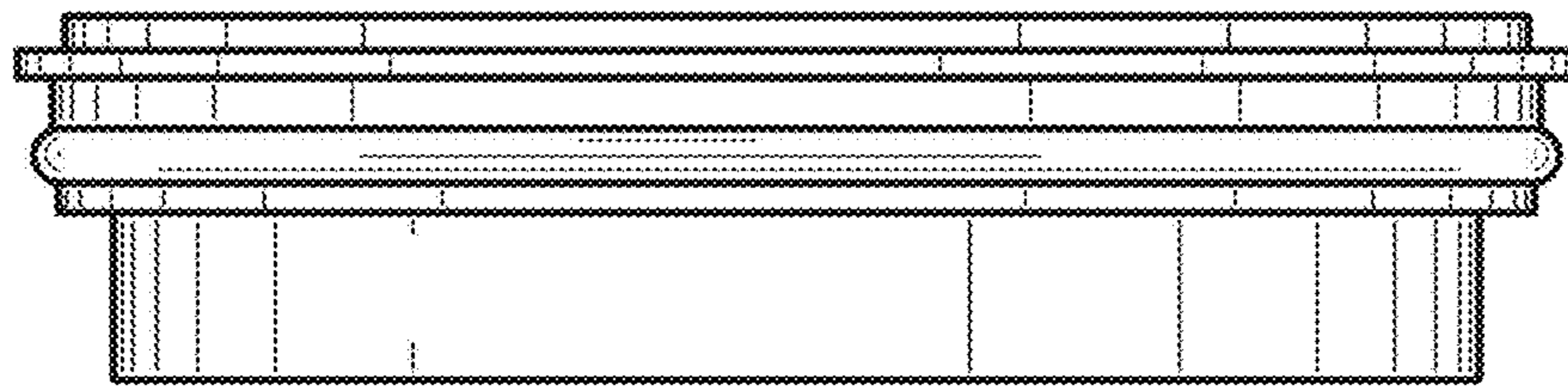


FIG. 4

FIG. 5

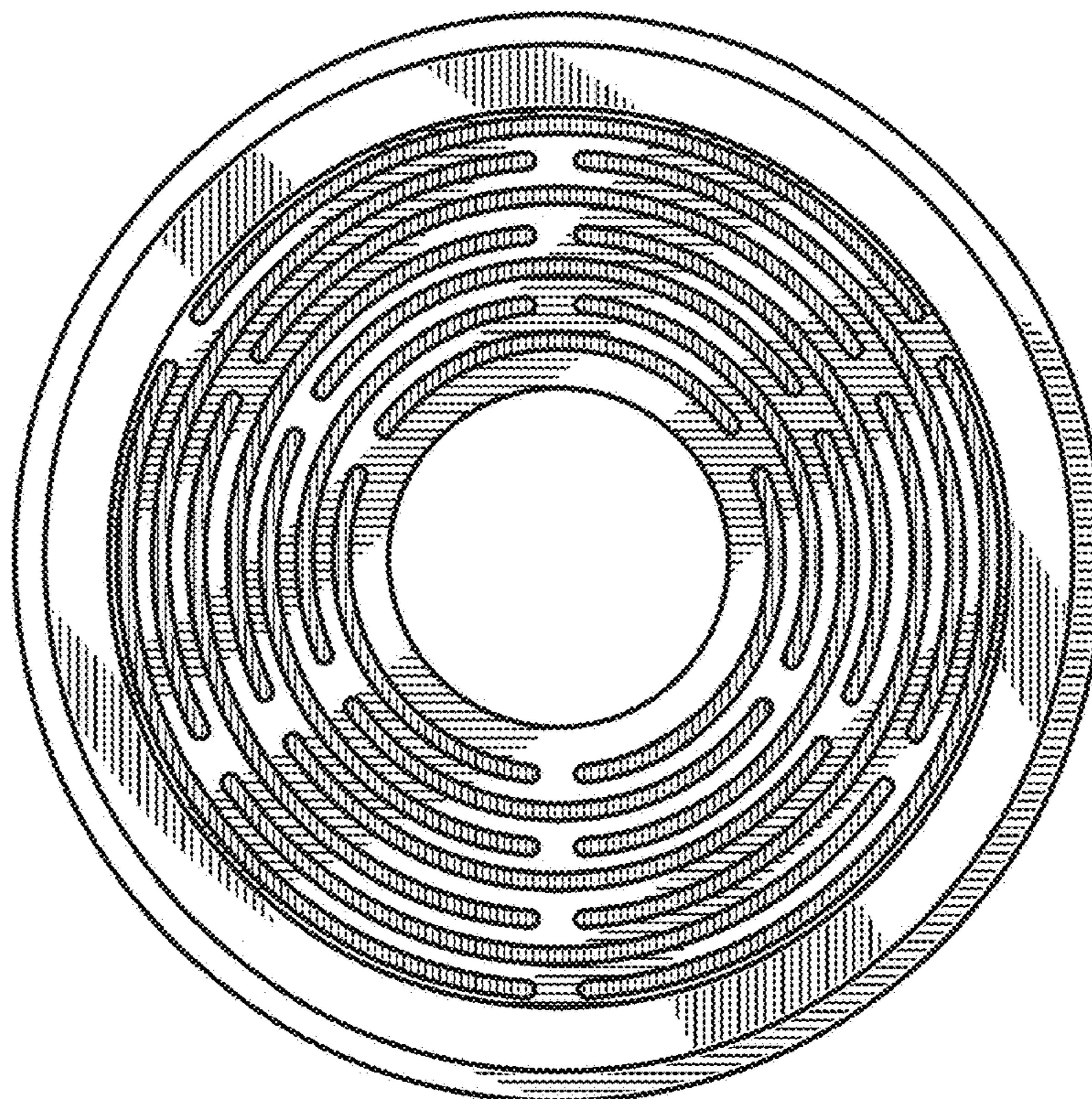
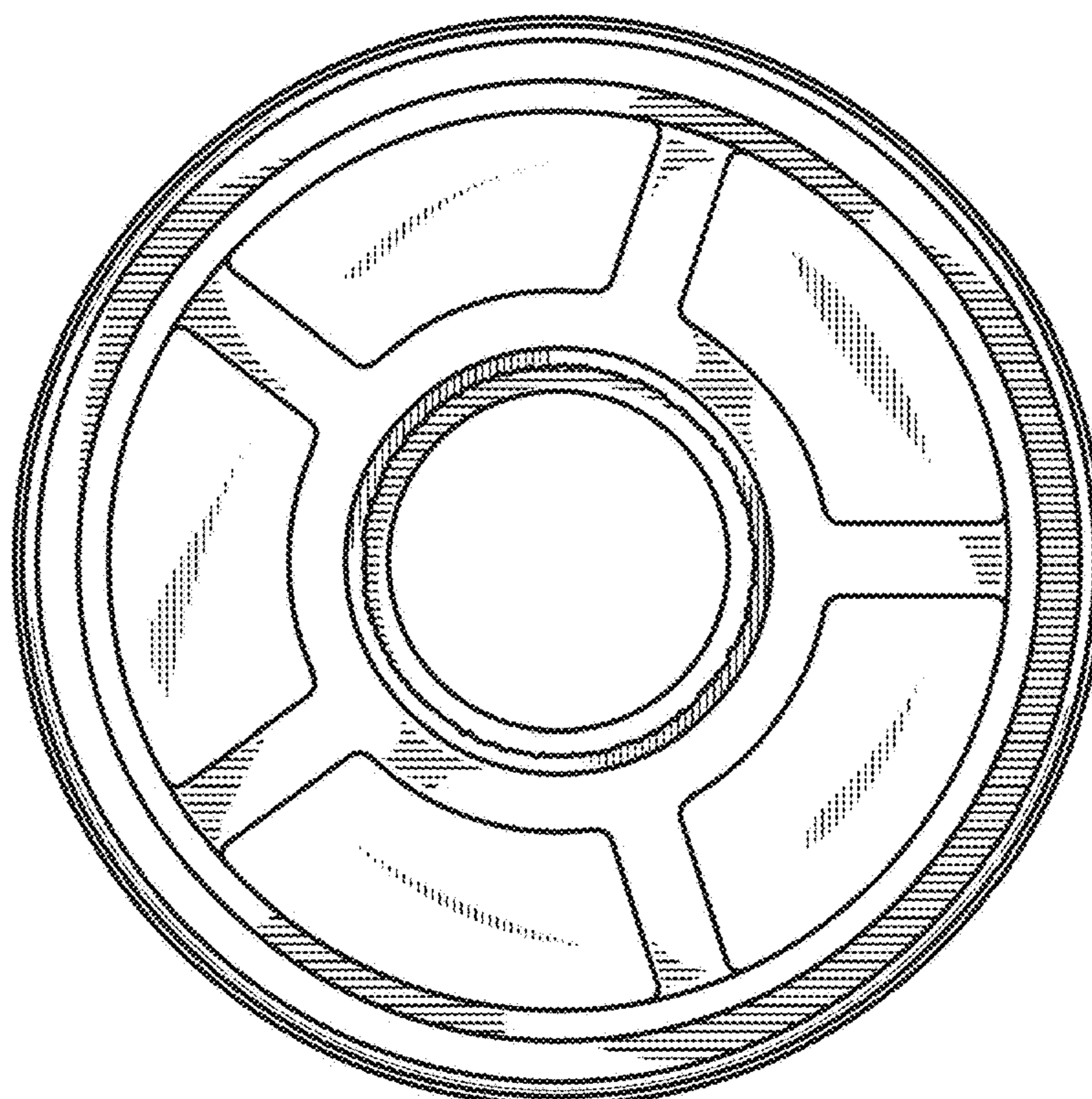


FIG. 6



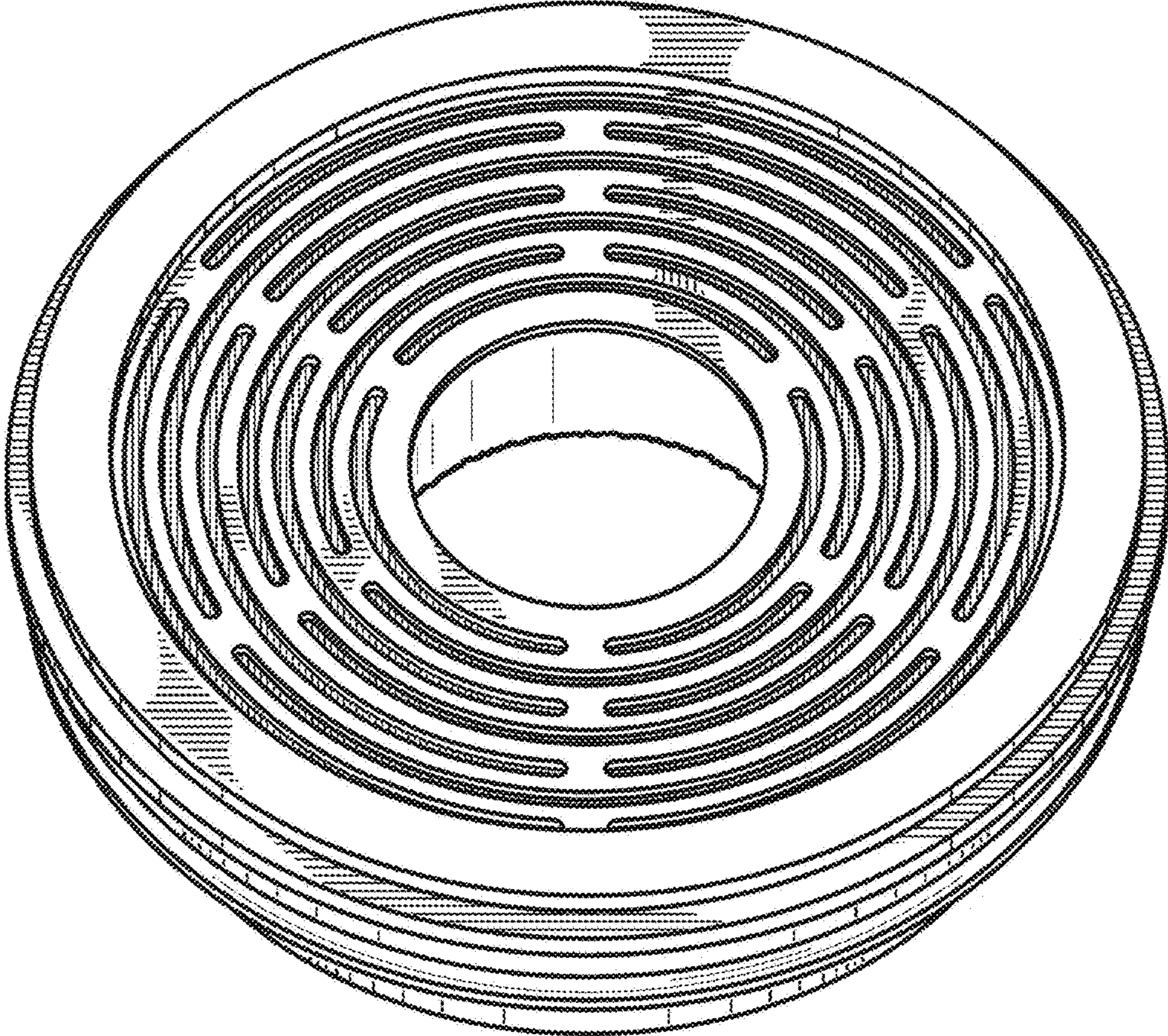


FIG. 7

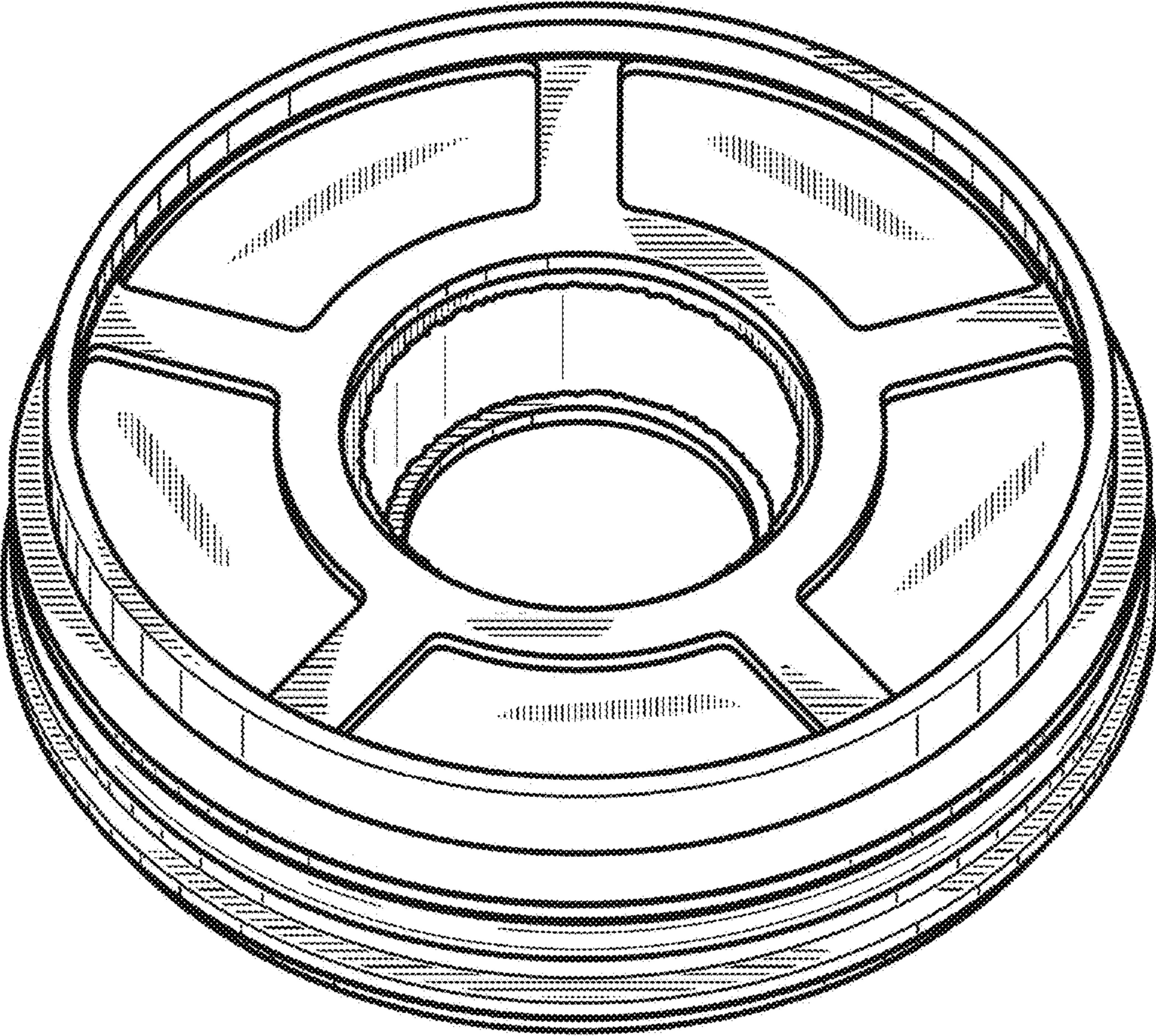


FIG. 8