



US00D864473S

(12) **United States Design Patent**
Reimann

(10) **Patent No.:** **US D864,473 S**

(45) **Date of Patent:** **** Oct. 22, 2019**

- (54) **WATER PIPE**
- (71) Applicant: **Bill Reimann**, Boise, ID (US)
- (72) Inventor: **Bill Reimann**, Boise, ID (US)
- (**) Term: **15 Years**
- (21) Appl. No.: **29/613,516**
- (22) Filed: **Aug. 10, 2017**
- (51) **LOC (12) Cl.** **27-02**
- (52) **U.S. Cl.**
USPC **D27/162**
- (58) **Field of Classification Search**
USPC D23/259, 262, 266, 360; D27/162–167;
131/173, 179, 191, 193–198.2,
131/178–184.1; 138/38–39; 285/335,
285/345, 347; 122/19.2, 18.5, 360
CPC A24F 1/24; A24F 1/30; A24F 5/04; A24F
3/02; F24H 9/02; F24H 9/06; F24H
9/2007; F24H 1/182; F24H 1/18
See application file for complete search history.

- 7,798,177 B1 * 9/2010 Blair A47L 9/242
138/109
- D654,160 S * 2/2012 Yomtov D23/360
- D748,324 S * 1/2016 Choi D27/163
- D804,623 S * 12/2017 Yamaguchi D23/318
- D828,622 S * 9/2018 Chen D27/162
- 2012/0067302 A1 * 3/2012 Brown F24H 9/02
122/19.2
- 2017/0215479 A1 * 8/2017 Kies A24F 3/00

* cited by examiner

Primary Examiner — Eric L Goodman

Assistant Examiner — Amy C Wierenga

(74) *Attorney, Agent, or Firm* — Parsons Behle & Latimer

(57) **CLAIM**

The ornamental design for a water pipe, as shown and described.

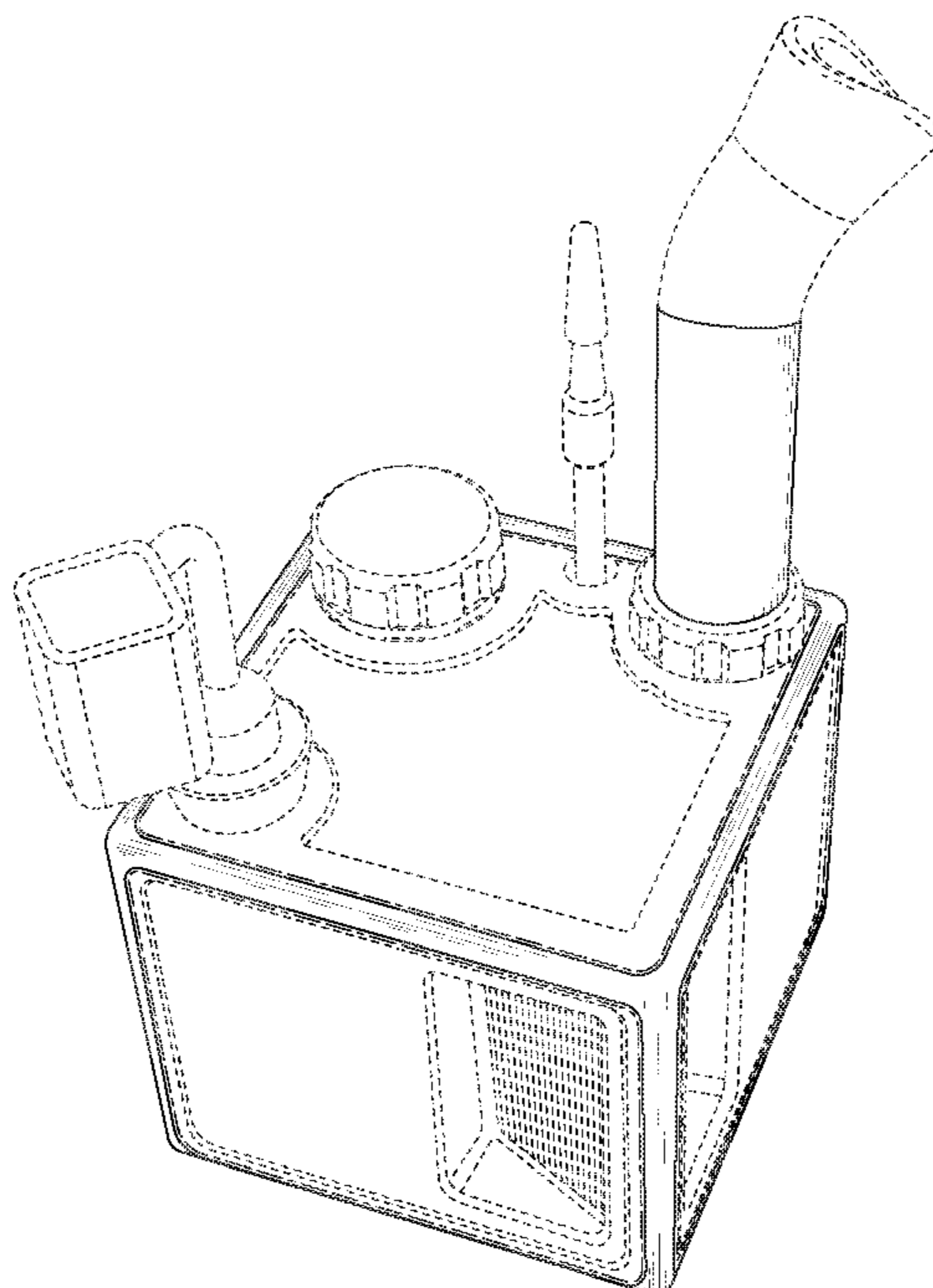
DESCRIPTION

FIG. 1 is a perspective view showing the top, back, and left sides of a water pipe showing the new design; FIG. 2 is a perspective view showing the top, right, and front sides of a water pipe showing the new design; FIG. 3 is a top side elevation view thereof; FIG. 4 is a bottom side elevation view thereof; FIG. 5 is a left side elevation view thereof; FIG. 6 is a right side elevation view thereof; FIG. 7 is a front side elevation view thereof; and, FIG. 8 is a back side elevation view thereof. The evenly spaced dashed broken line shown in the figures illustrate portions of the water pipe that form no part of the claim. The dot-dash-dash-dot broken lines represent the boundaries of the claim and form no part thereof.

(56) **References Cited**
U.S. PATENT DOCUMENTS

- 4,165,753 A * 8/1979 Stryker A24F 1/30
131/173
- D351,253 S * 10/1994 Baig D27/162
- D371,632 S * 7/1996 Truelove D27/162
- 5,547,230 A * 8/1996 Bank F16L 21/035
285/110
- 5,738,116 A * 4/1998 Truelove A24F 1/30
131/173
- 6,176,523 B1 * 1/2001 Winslett F16L 21/035
285/110

1 Claim, 4 Drawing Sheets



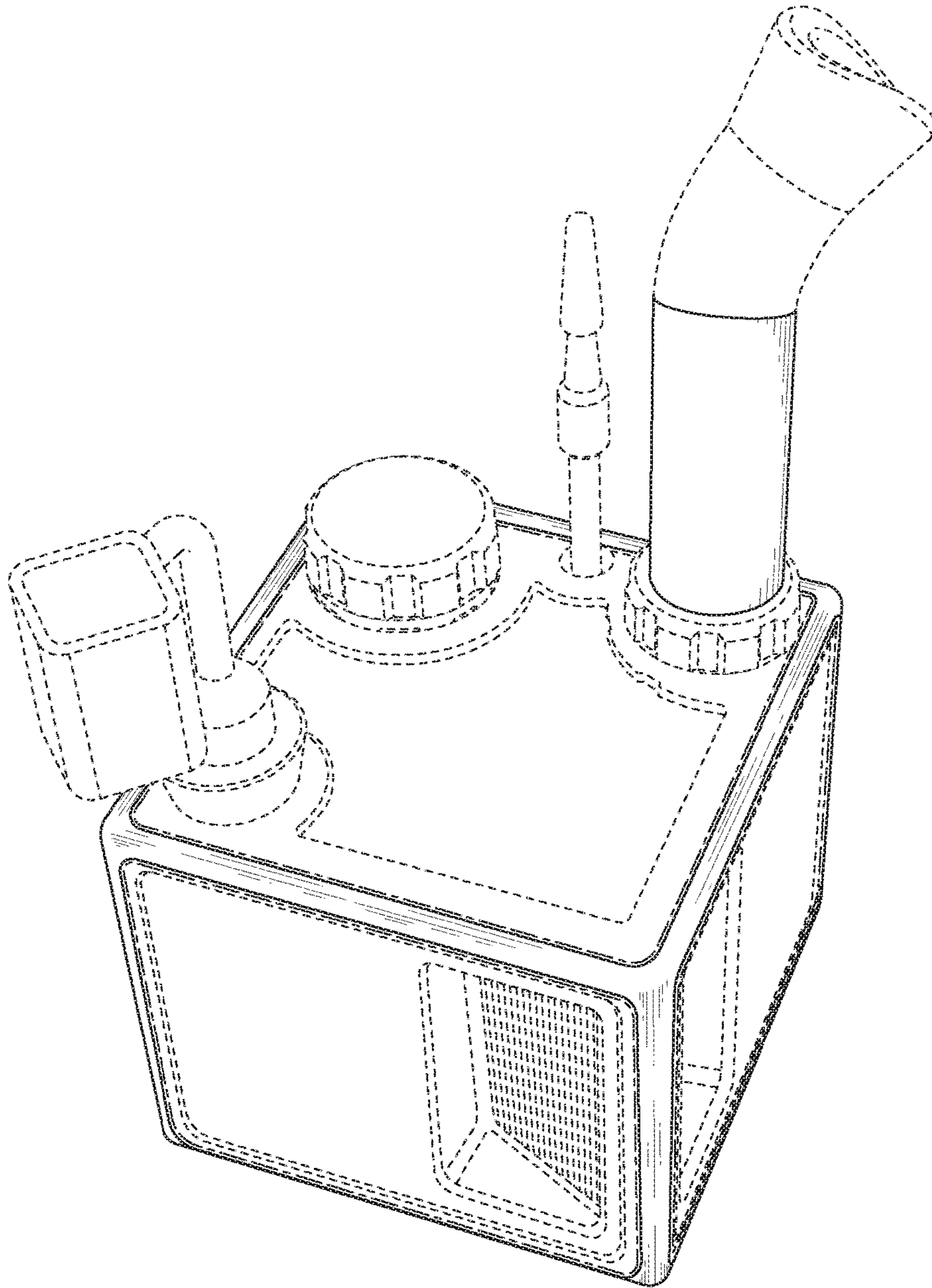


FIG. 1

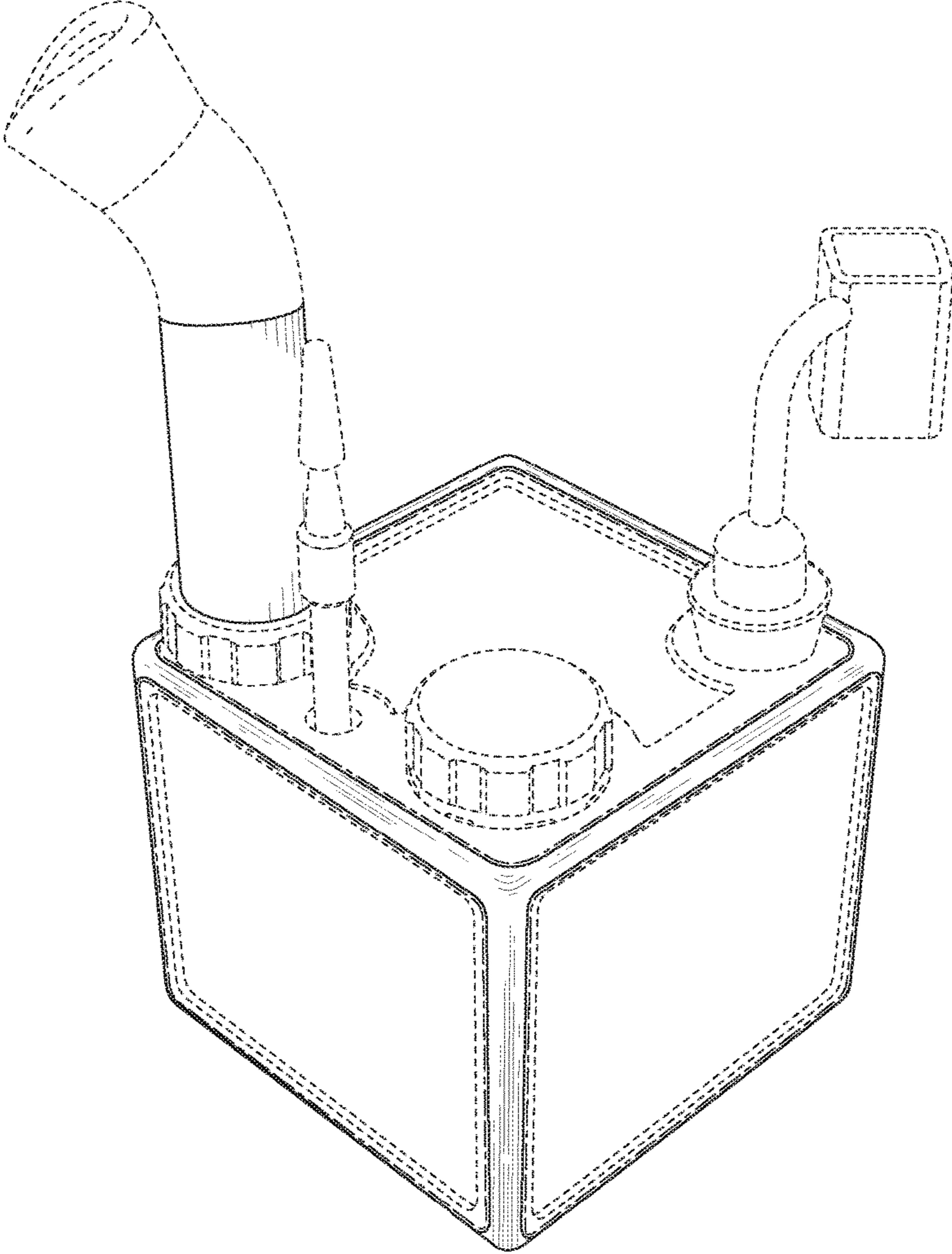


FIG. 2

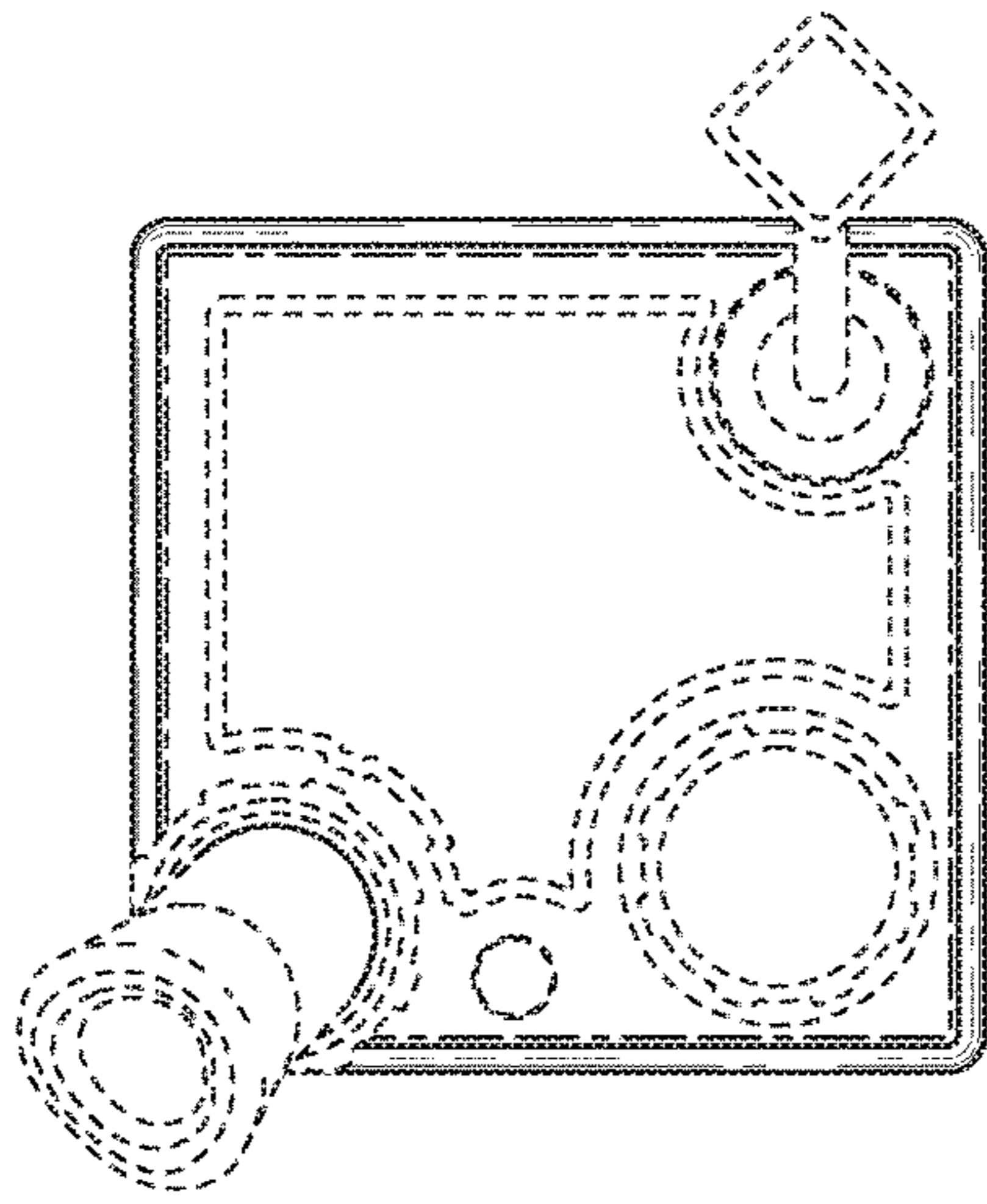


FIG. 3

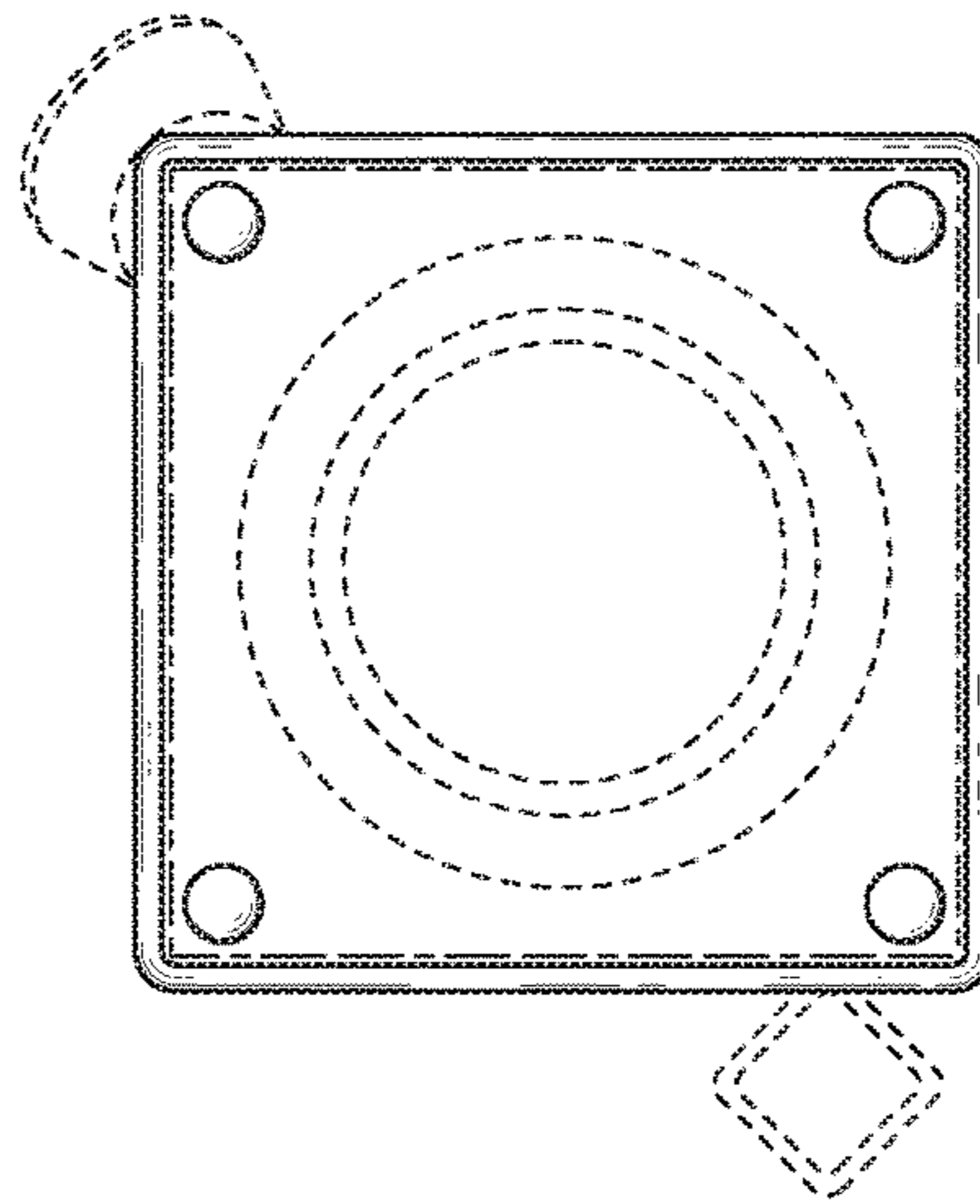


FIG. 4

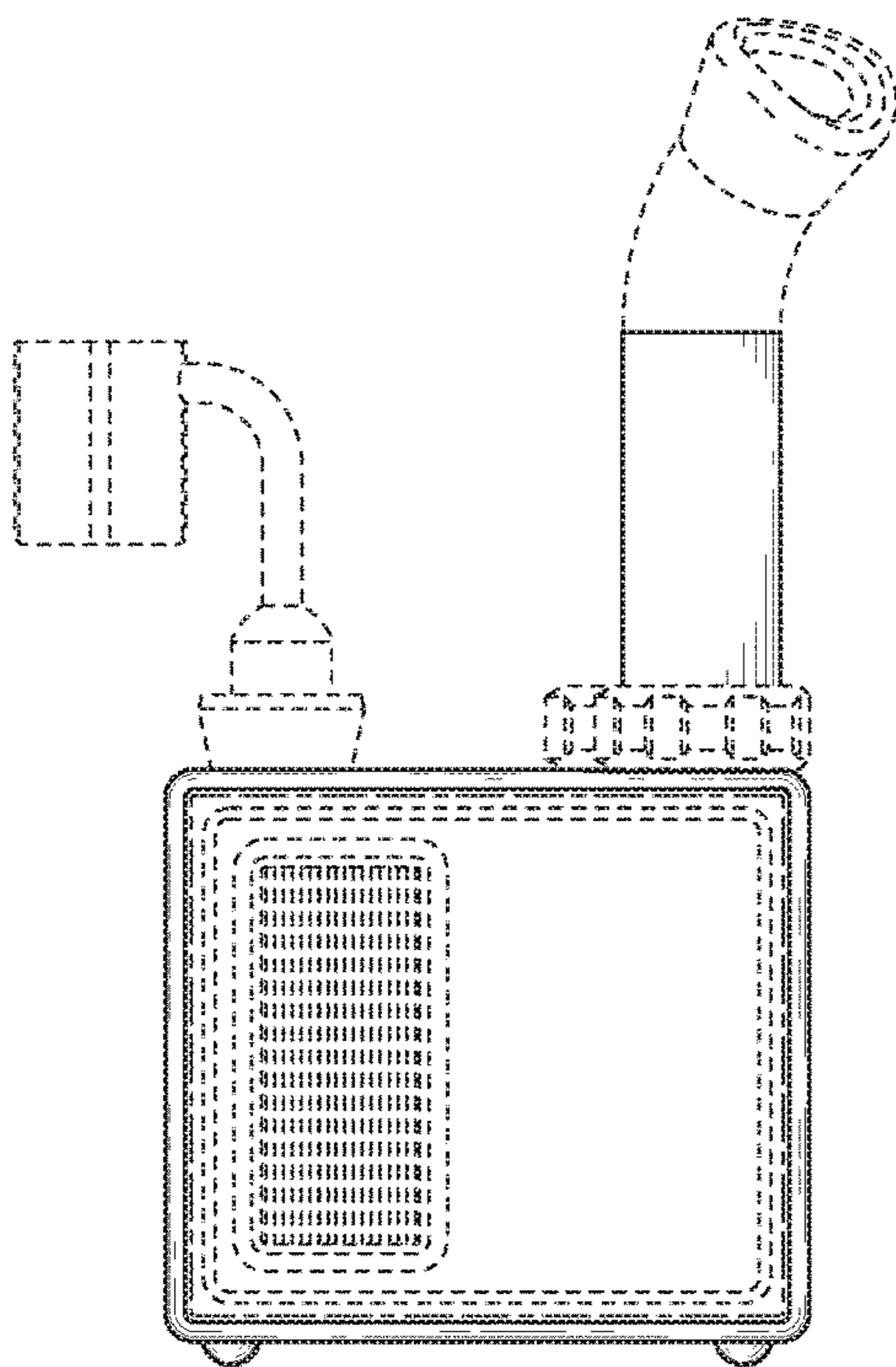


FIG. 5

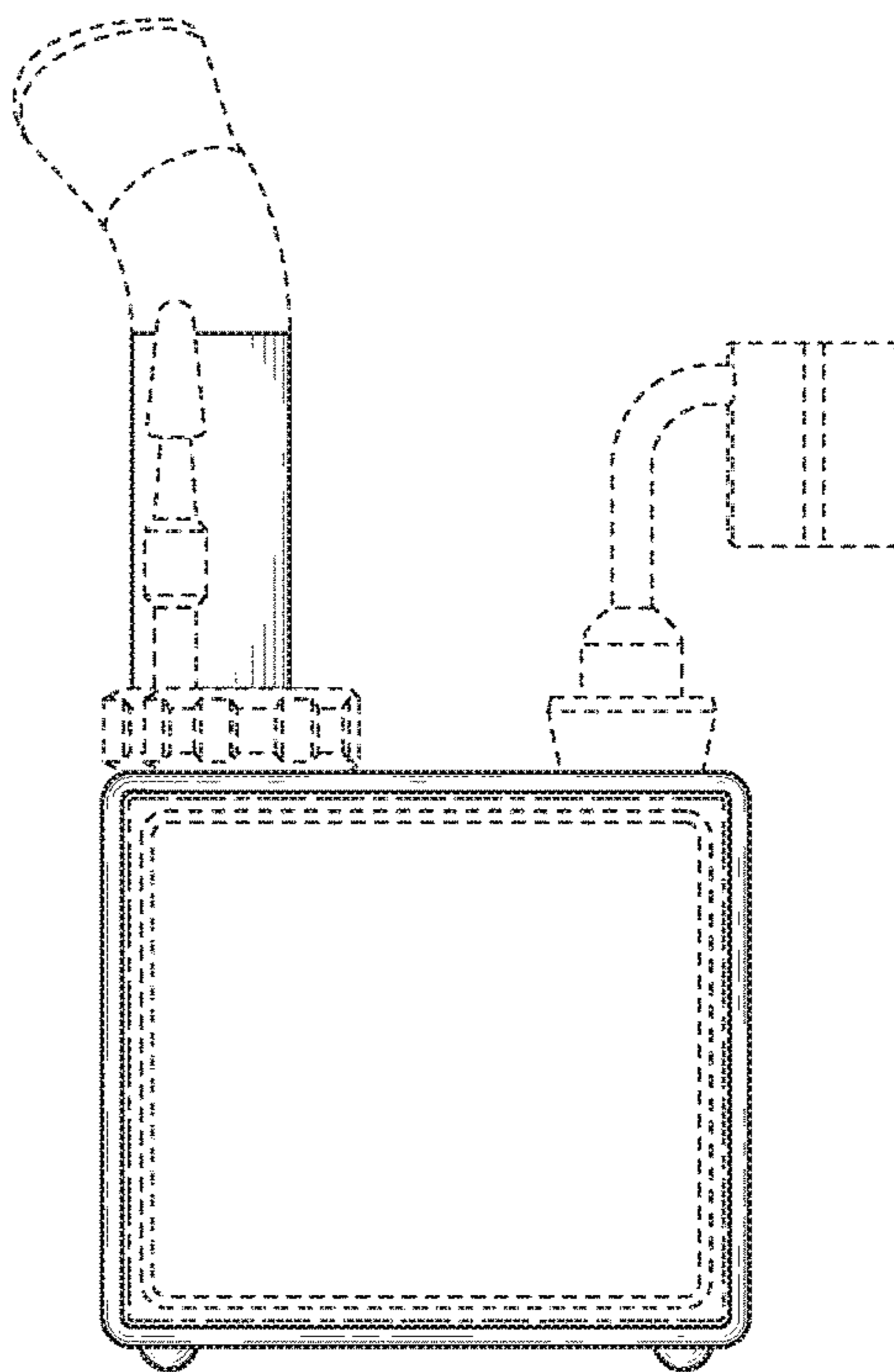


FIG. 6

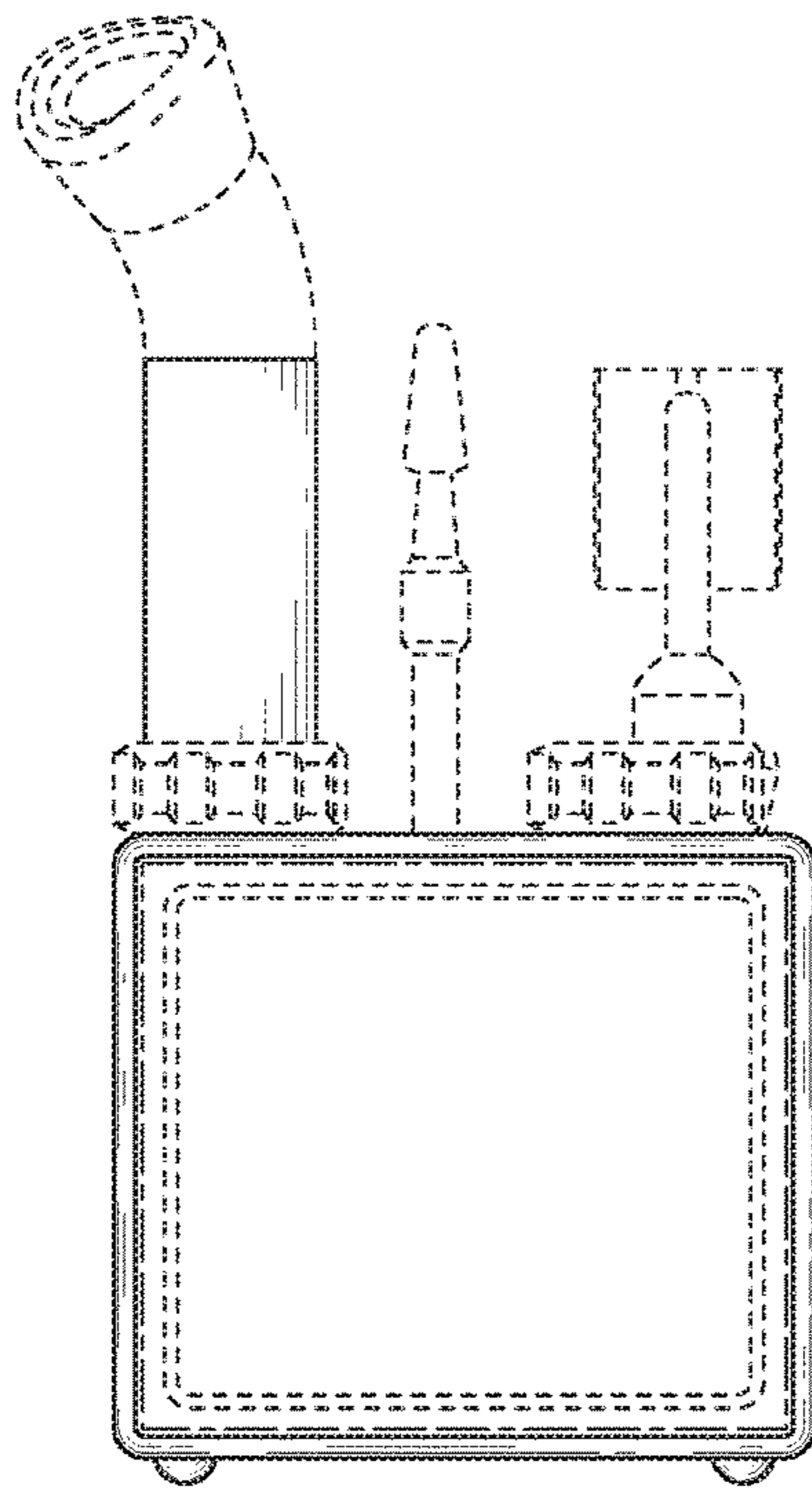


FIG. 7

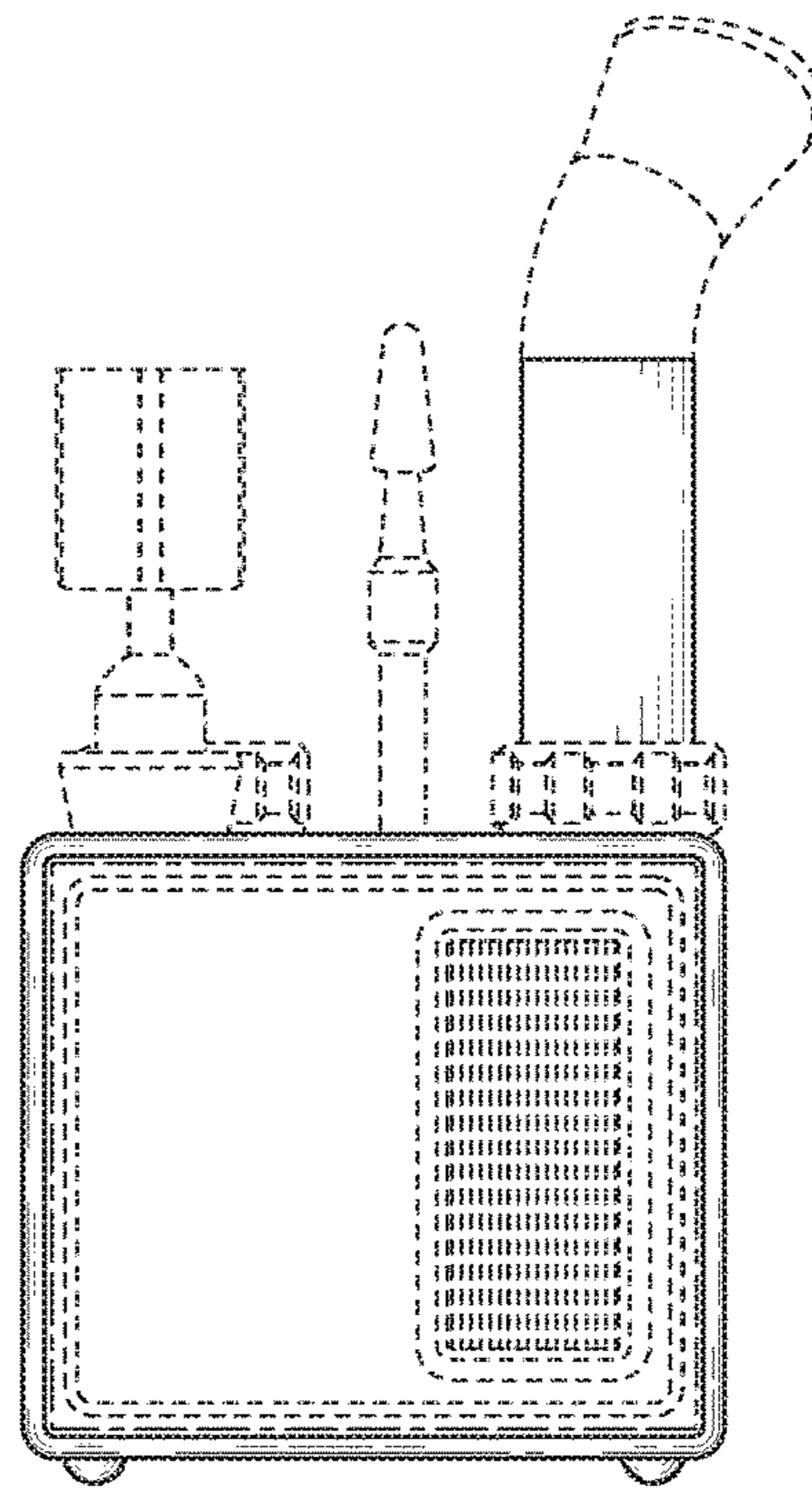


FIG. 8