

US00D864471S

(12) **United States Design Patent**
Cheng

(10) **Patent No.:** **US D864,471 S**

(45) **Date of Patent:** **** Oct. 22, 2019**

- (54) **ELECTRONIC CIGARETTE**
- (71) Applicant: **Shenzhen ACEVAPE Technology Co., Ltd, Shenzhen (CN)**
- (72) Inventor: **Yanni Cheng, Shenzhen (CN)**
- (73) Assignee: **Shenzhen ACEVAPE Technology Co., Ltd, Shenzhen (CN)**
- (**) Term: **15 Years**
- (21) Appl. No.: **29/688,526**
- (22) Filed: **Apr. 23, 2019**
- (51) **LOC (12) Cl.** **27-01**
- (52) **U.S. Cl.**
USPC **D27/101**
- (58) **Field of Classification Search**
USPC D27/100, 101, 162-196; D23/366;
D24/110; D19/101, 106, 115, 165, 195;
D7/416; D3/212, 247; D21/394, 573,
D21/574, 682
CPC A24F 47/00; A24F 47/002; A24F 15/12;
A24F 1/32; A24F 15/18
See application file for complete search history.

D776,051 S *	1/2017	Wang	D13/103
D776,340 S *	1/2017	Seibel	D27/189
D806,311 S *	12/2017	Smith	D27/162
D809,648 S *	2/2018	Ohrt	D24/110
D812,808 S	3/2018	Ng		
D818,946 S *	5/2018	Liu	D13/103
D819,880 S *	6/2018	Qiu	D27/101
D819,882 S *	6/2018	Qiu	D27/101
D820,514 S *	6/2018	Durand	D27/162
D821,305 S *	6/2018	Liu	D13/103
D821,639 S *	6/2018	Dai	D27/162
D825,455 S *	8/2018	Liu	D13/103
D828,621 S *	9/2018	Qiu	D27/162
D828,953 S *	9/2018	Chen	D27/167
D829,373 S *	9/2018	Huang	D27/101
D829,375 S *	9/2018	Huang	D27/162
D829,976 S	10/2018	Stone		
D829,981 S *	10/2018	Chen	D27/162
D831,270 S *	10/2018	Qiu	D27/162
D831,272 S	10/2018	Qiu		
D832,504 S *	10/2018	Qiu	D27/163

(Continued)

Primary Examiner — Marissa J Cash

(57) **CLAIM**

The ornamental design for an electronic cigarette, as shown and described.

DESCRIPTION

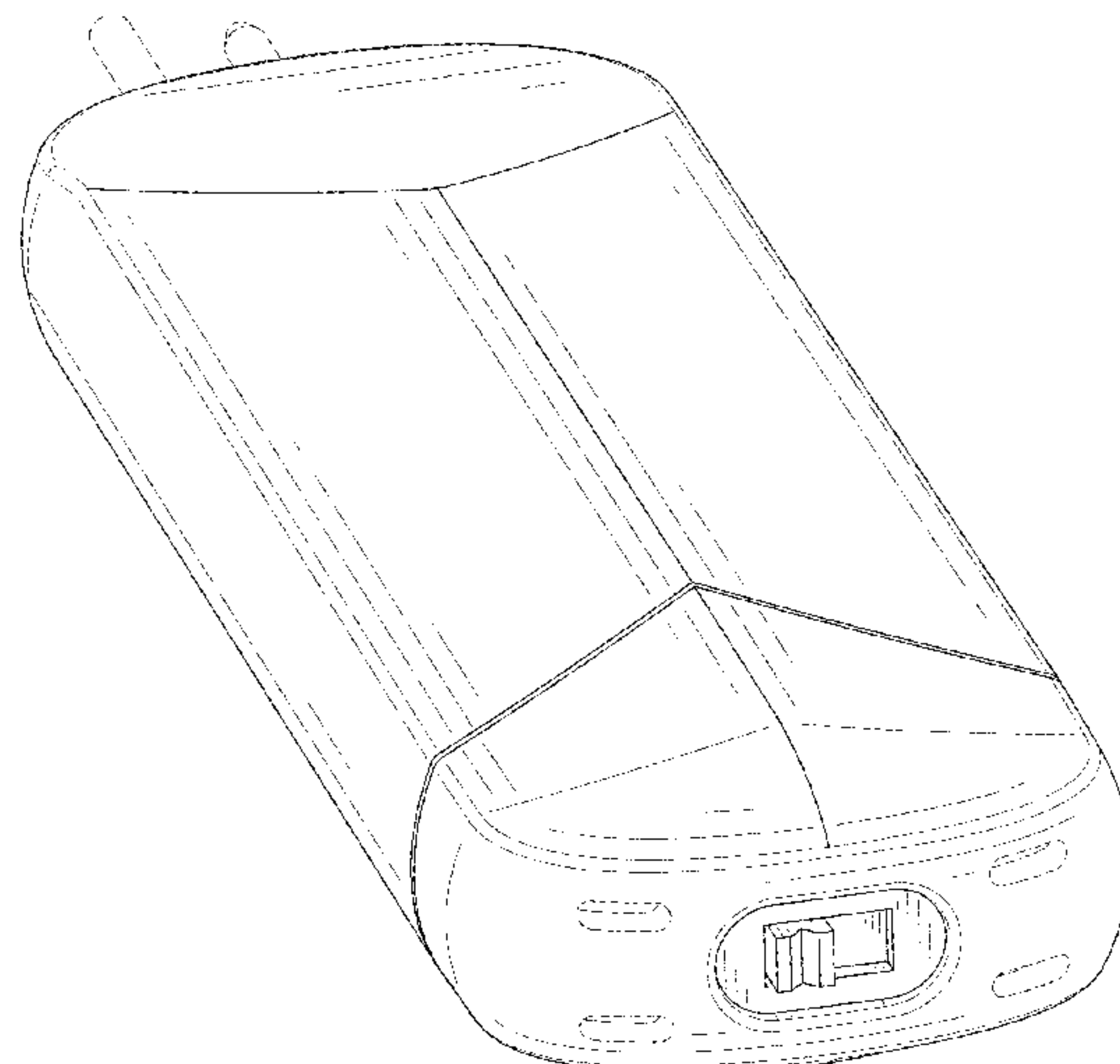
FIG. 1 is a perspective view of an electronic cigarette showing my design;
 FIG. 2 is a front view thereof;
 FIG. 3 is a back view thereof;
 FIG. 4 is a left side view thereof;
 FIG. 5 is a right side view thereof;
 FIG. 6 is a top view thereof; and,
 FIG. 7 is a bottom view thereof.
 The broken lines shown in the drawings depict portions of the electronic cigarette that form no part of the claimed design.

1 Claim, 7 Drawing Sheets

(56) **References Cited**

U.S. PATENT DOCUMENTS

D401,012 S *	11/1998	Montoya	D27/187
D541,923 S *	5/2007	Castillo Higareda	D23/366
D643,103 S *	8/2011	Bilko	D23/366
D647,193 S *	10/2011	Kim	D23/366
D700,397 S *	2/2014	Manca	D27/189
D736,460 S *	8/2015	McKeon	D27/189
D736,996 S *	8/2015	Liu	D27/189
D752,283 S *	3/2016	Doster	D27/189
D752,808 S *	3/2016	Hearn	D27/189
D753,338 S *	4/2016	Chen	D27/162
D758,655 S *	6/2016	Freshwater	D27/163
D775,762 S *	1/2017	Chen	D27/101



(56)

References Cited

U.S. PATENT DOCUMENTS

D832,505	S	*	10/2018	Bennett	D27/193
D833,063	S	*	11/2018	Qiu	D27/101
D833,672	S	*	11/2018	Qiu	D27/163
D835,840	S		12/2018	Liu et al.		
D842,237	S	*	3/2019	Qiu	D13/103
D842,238	S	*	3/2019	Qiu	D13/103
D842,243	S	*	3/2019	Qiu	D13/108
D846,796	S	*	4/2019	Pan	D27/101
D846,798	S	*	4/2019	Chen	D27/163
2017/0101256	A1	*	4/2017	Zeitlin	A24F 15/20
2017/0245550	A1	*	8/2017	Freelander	A61M 15/06
2018/0055091	A1	*	3/2018	Trzeczieski	A24F 47/008
2019/0099567	A1	*	4/2019	Nettenstrom	A24F 47/008

* cited by examiner

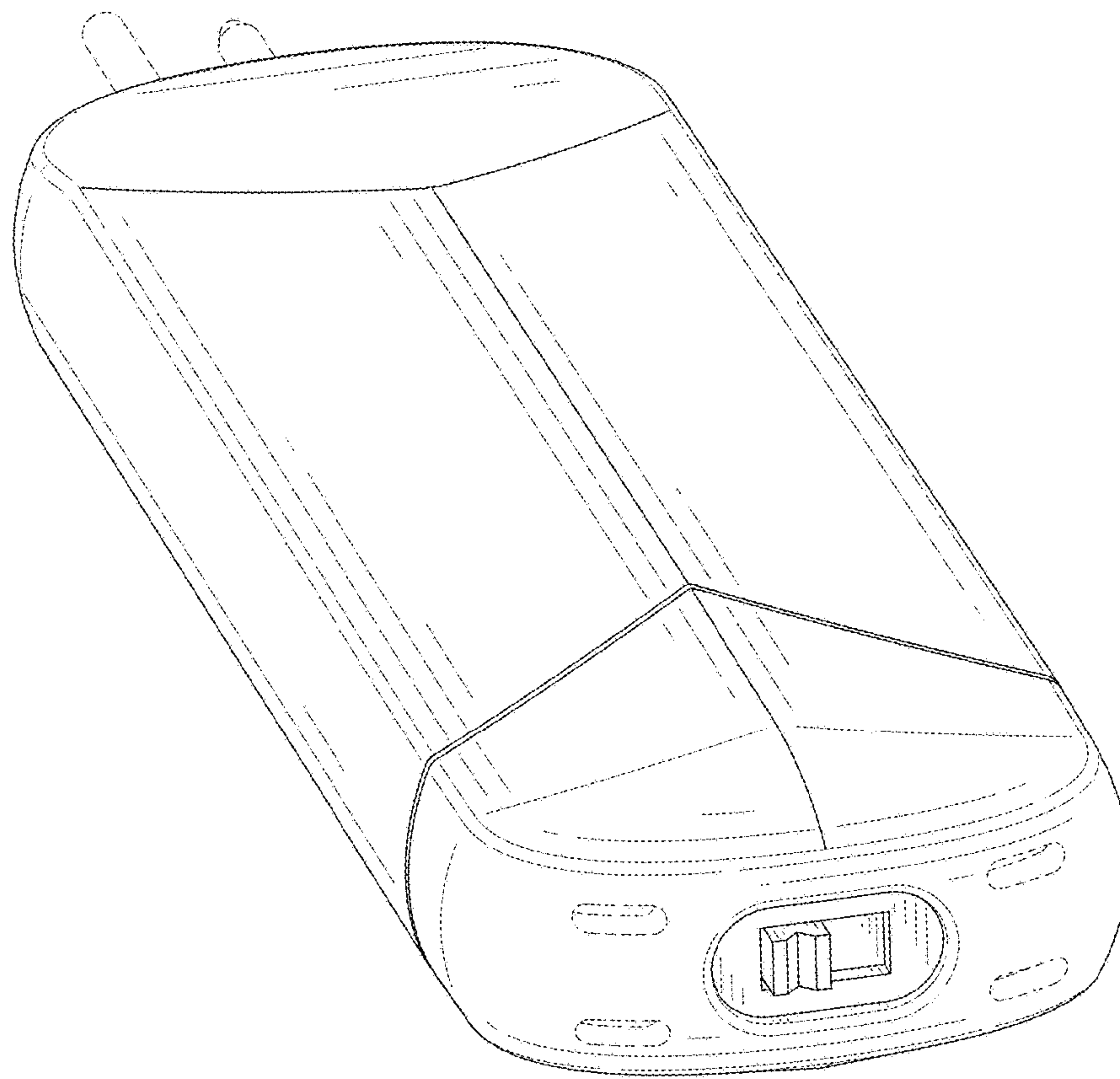


FIG. 1

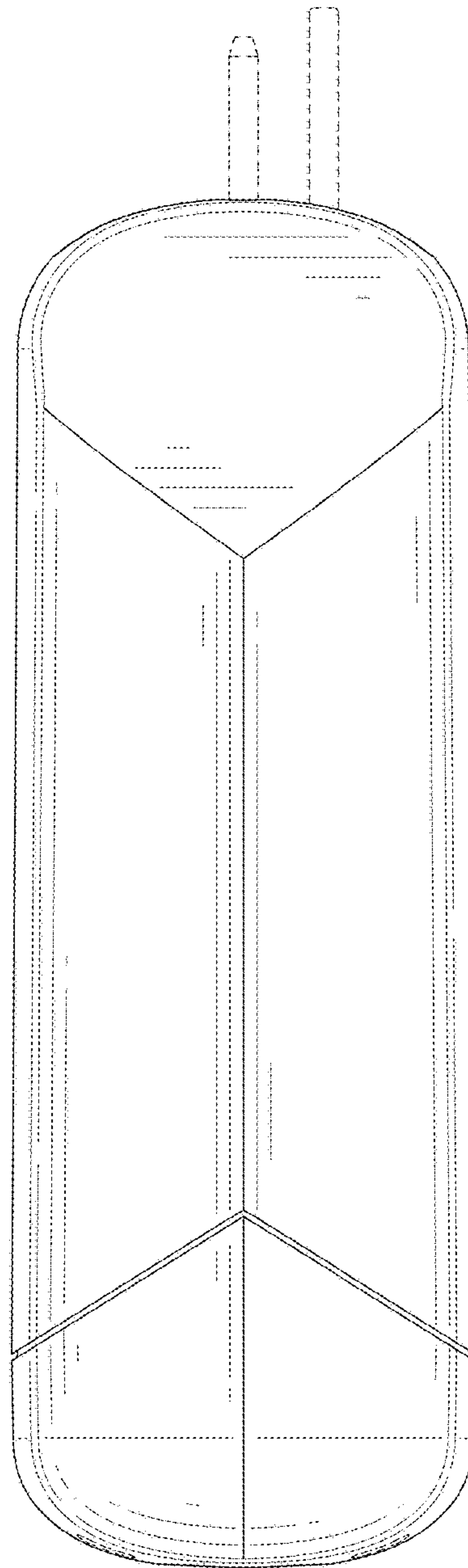


FIG. 2

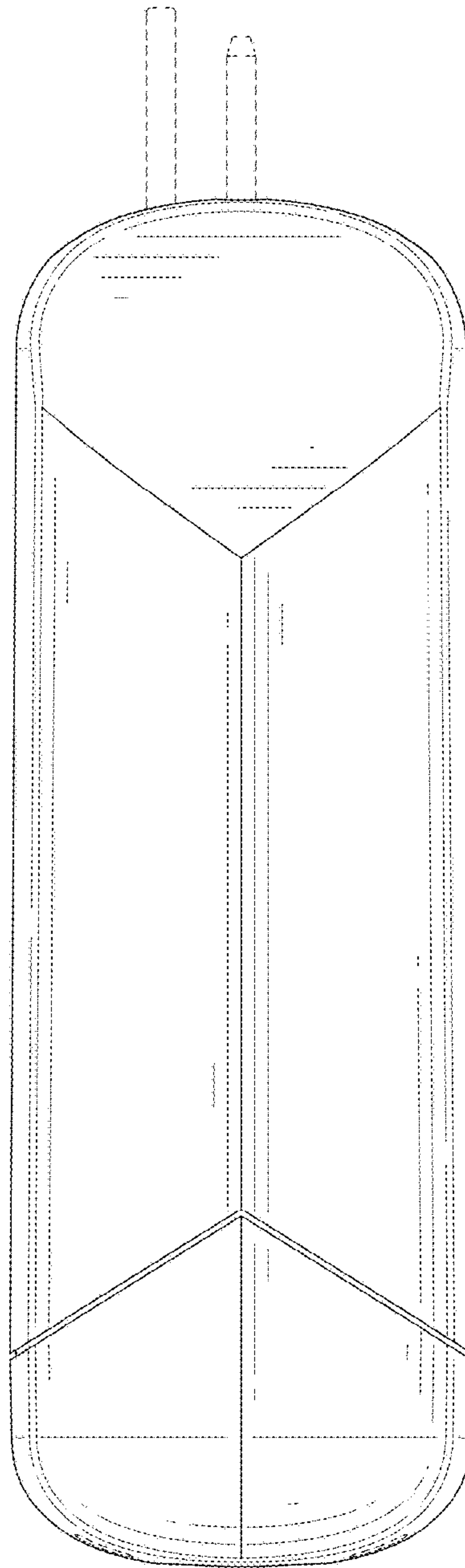


FIG. 3

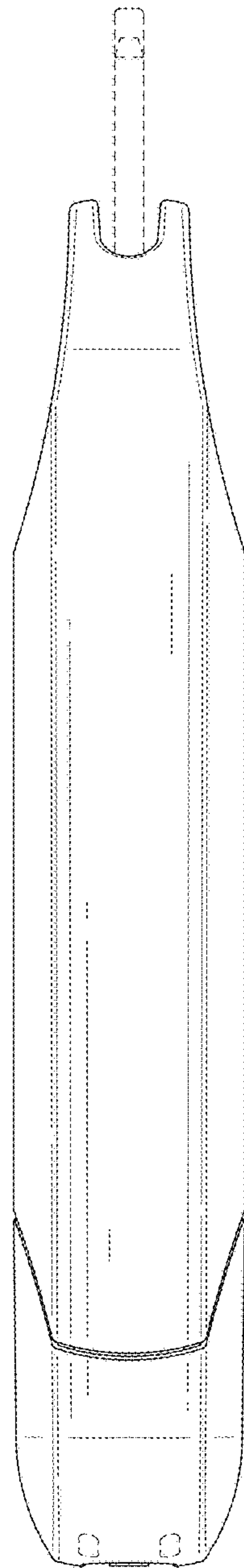


FIG. 4

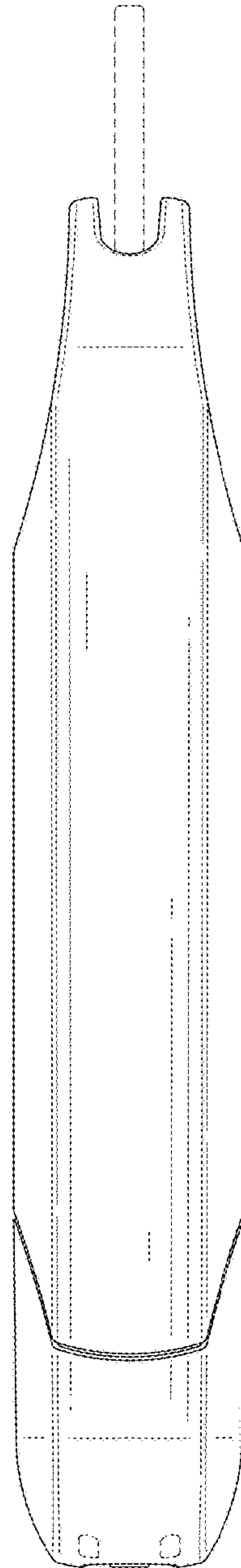


FIG. 5

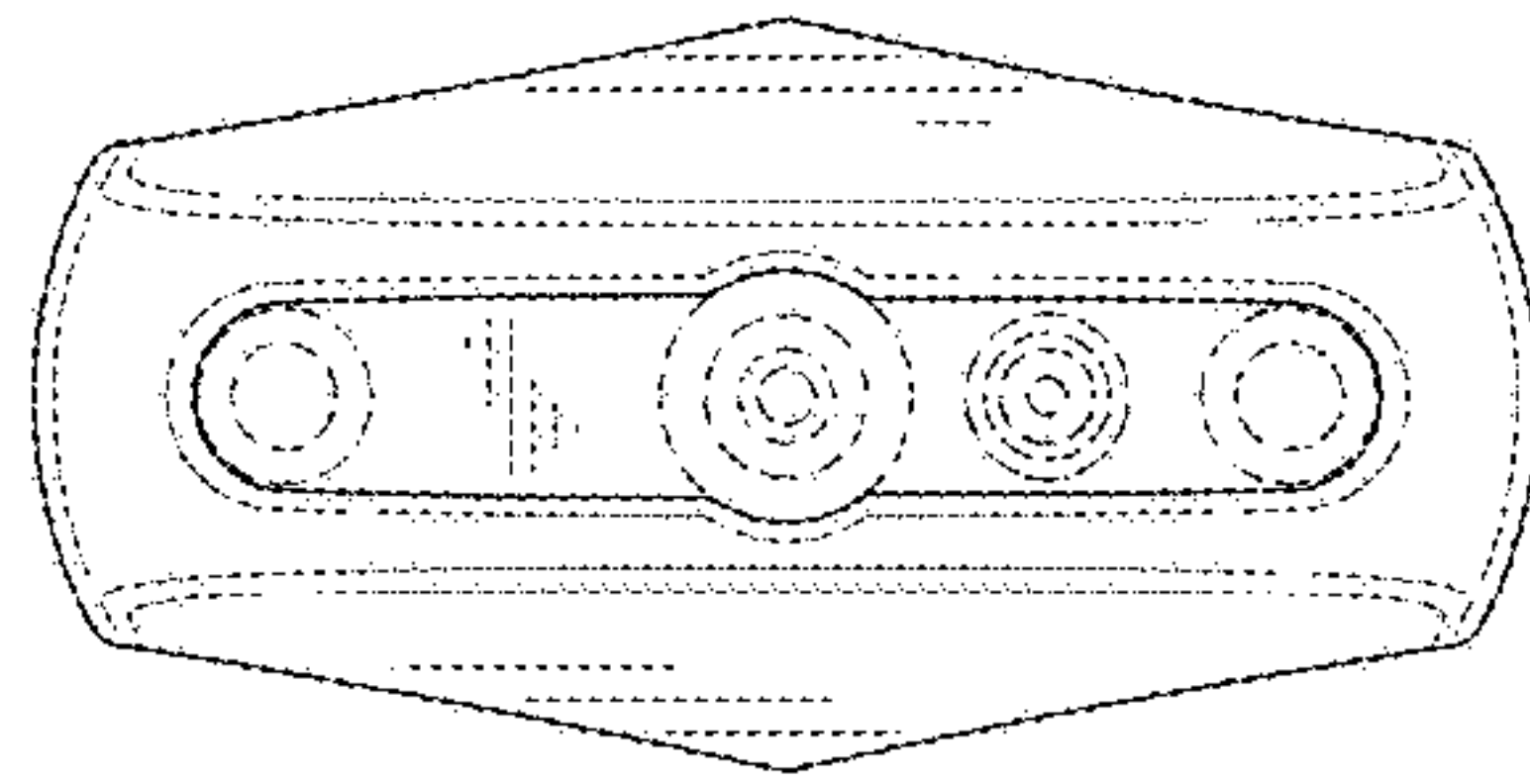


FIG. 6

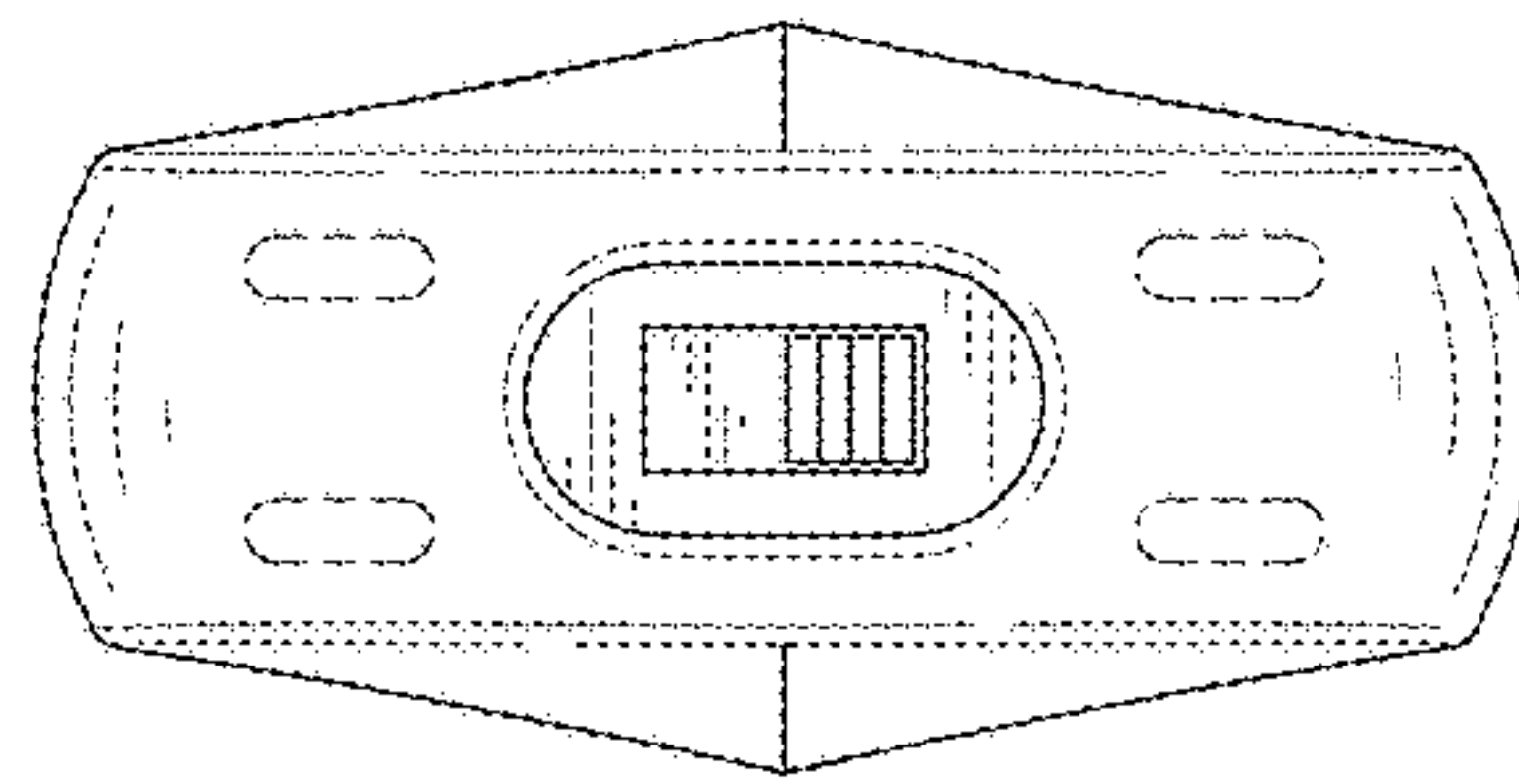


FIG. 7