

US00D864467S

(12) **United States Design Patent** (10) **Patent No.:** **US D864,467 S**  
**Mizobe** (45) **Date of Patent:** **\*\* Oct. 22, 2019**

(54) **MOUNTING DEVICE FOR LIGHTING EQUIPMENT**

(71) Applicant: **NEC Lighting, Ltd.**, Minato-ku, Tokyo (JP)

(72) Inventor: **Norimasa Mizobe**, Tokyo (JP)

(73) Assignee: **HOTALUX, LTD.**, Minato-ku, Tokyo (JP)

(\*\*) Term: **15 Years**

(21) Appl. No.: **29/607,710**

(22) Filed: **Jun. 15, 2017**

(30) **Foreign Application Priority Data**

Dec. 16, 2016 (JP) ..... 2016-027348

(51) **LOC (12) Cl.** ..... **26-05**

(52) **U.S. Cl.**  
USPC ..... **D26/138**

(58) **Field of Classification Search**  
USPC ..... D26/76, 78, 79, 80, 81, 82, 83, 85, 86,  
D26/88, 90, 93, 111, 113, 118, 119, 120,  
D26/121, 122, 138, 139, 140, 141, 142,  
D26/152  
CPC ..... F21S 2/00; F21S 4/00; F21S 4/003; F21S  
4/005; F21S 4/006; F21S 4/007; F21S  
4/008; F21S 6/00; F21S 8/00; F21S  
8/024; F21S 8/026; F21S 8/031; F21S  
8/033; F21S 8/035-037; F21S 8/04; F21S  
8/043; F21S 8/063

See application file for complete search history.

(56) **References Cited**

**U.S. PATENT DOCUMENTS**

D481,159 S \* 10/2003 Walker ..... D26/138  
D482,489 S \* 11/2003 Gary ..... D26/138  
D623,344 S \* 9/2010 Tsai ..... D26/138  
D727,560 S \* 4/2015 Jeswani ..... D26/138  
D774,690 S \* 12/2016 Feustel ..... D26/138

D789,581 S \* 6/2017 Peard ..... D26/61  
D821,013 S \* 6/2018 Mizobe ..... D26/63  
D821,025 S \* 6/2018 Mizobe ..... D26/138  
D822,891 S \* 7/2018 Hamer ..... D26/138  
D827,915 S \* 9/2018 Wilson ..... D26/138  
D827,916 S \* 9/2018 Green ..... D26/138  
D829,368 S \* 9/2018 Hynek ..... D26/138

**OTHER PUBLICATIONS**

Approach Lighting System. Approach Flash Lighting System. AFLS (Approach Flash Lighting System) notify airplane of landing point and direction by flashing of high-intensity xenon lamp, ALS Catalogue, NEC Lighting, Ltd. (2011) NEC Corporation (2 pages, in English).

\* cited by examiner

*Primary Examiner* — Natasha Vujcic

(74) *Attorney, Agent, or Firm* — Buchanan Ingersoll & Rooney PC

(57) **CLAIM**

The ornamental design for a mounting device for lighting equipment, as shown and described.

**DESCRIPTION**

FIG. 1 is a front, right side, top perspective view of a mounting device for lighting equipment showing my new design;

FIG. 2 is a front elevational view thereof;

FIG. 3 is a rear elevational view thereof;

FIG. 4 is a left side view thereof;

FIG. 5 is a right side view thereof;

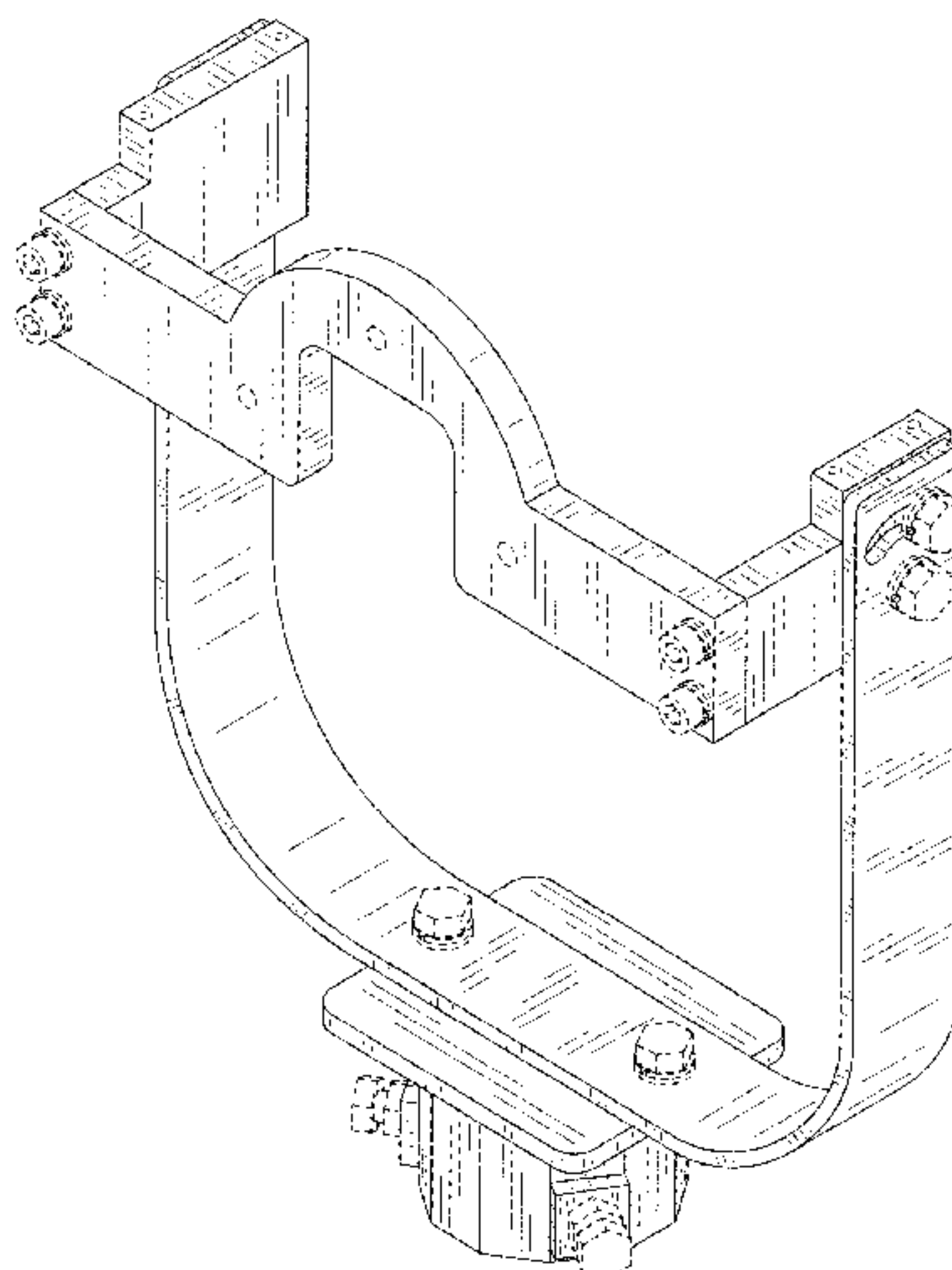
FIG. 6 is a top plan view thereof;

FIG. 7 is a bottom plan view thereof; and,

FIG. 8 is another front, right side, top perspective view thereof, shown in a position of use.

The broken lines in the drawings illustrate portions of the mounting device for lighting equipment which form no part of the claimed design.

**1 Claim, 7 Drawing Sheets**



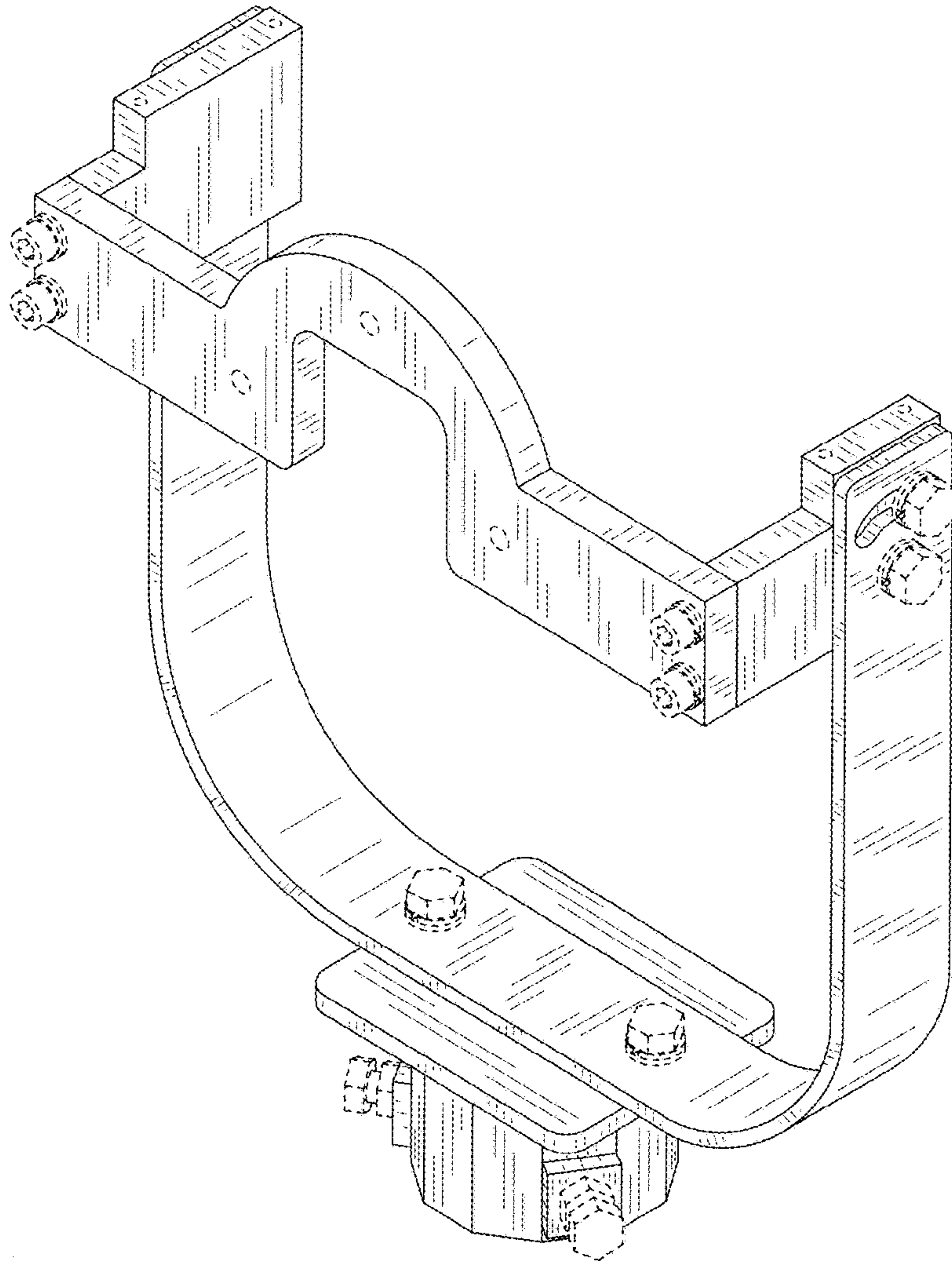


FIG. 1

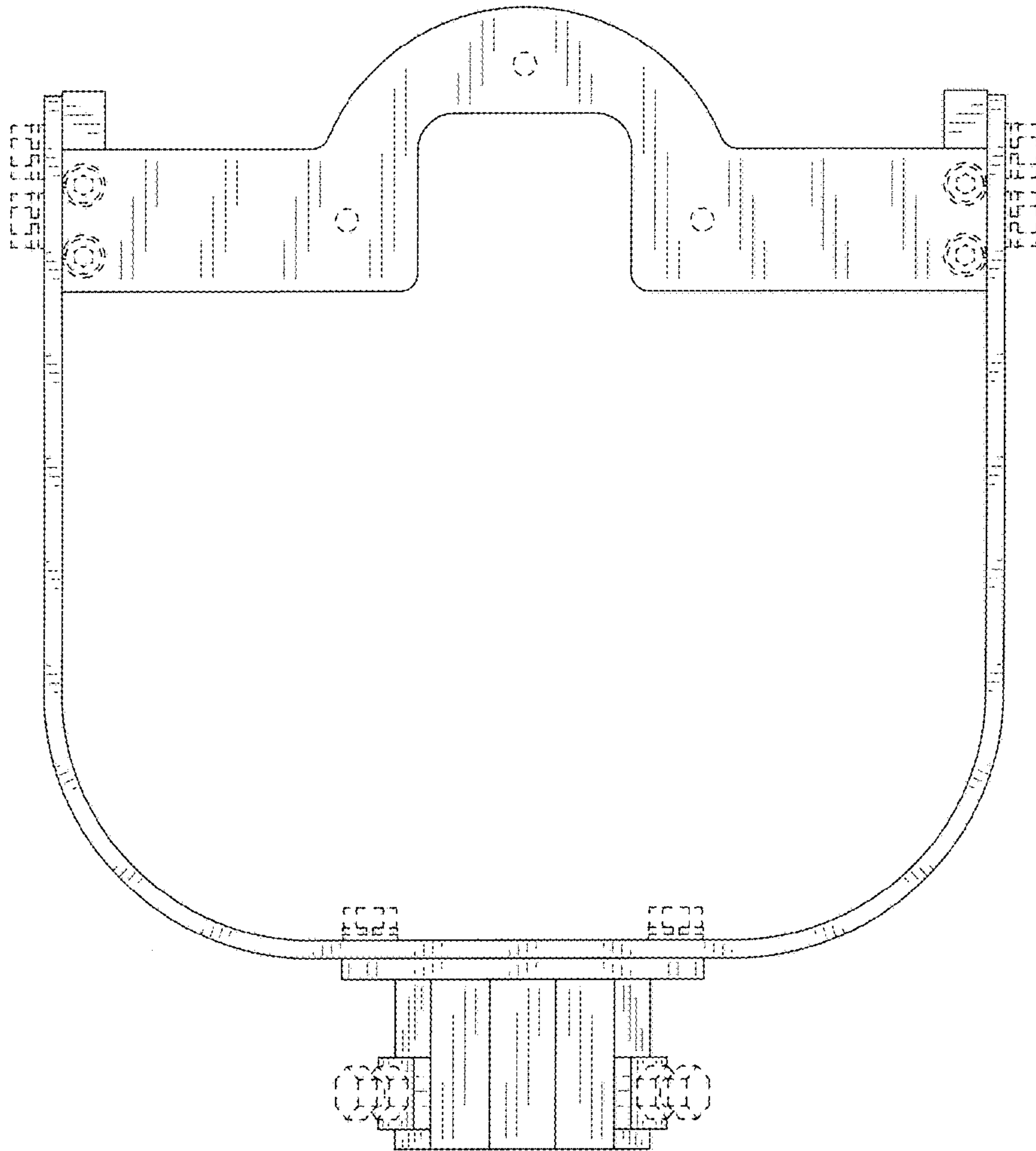


FIG. 2

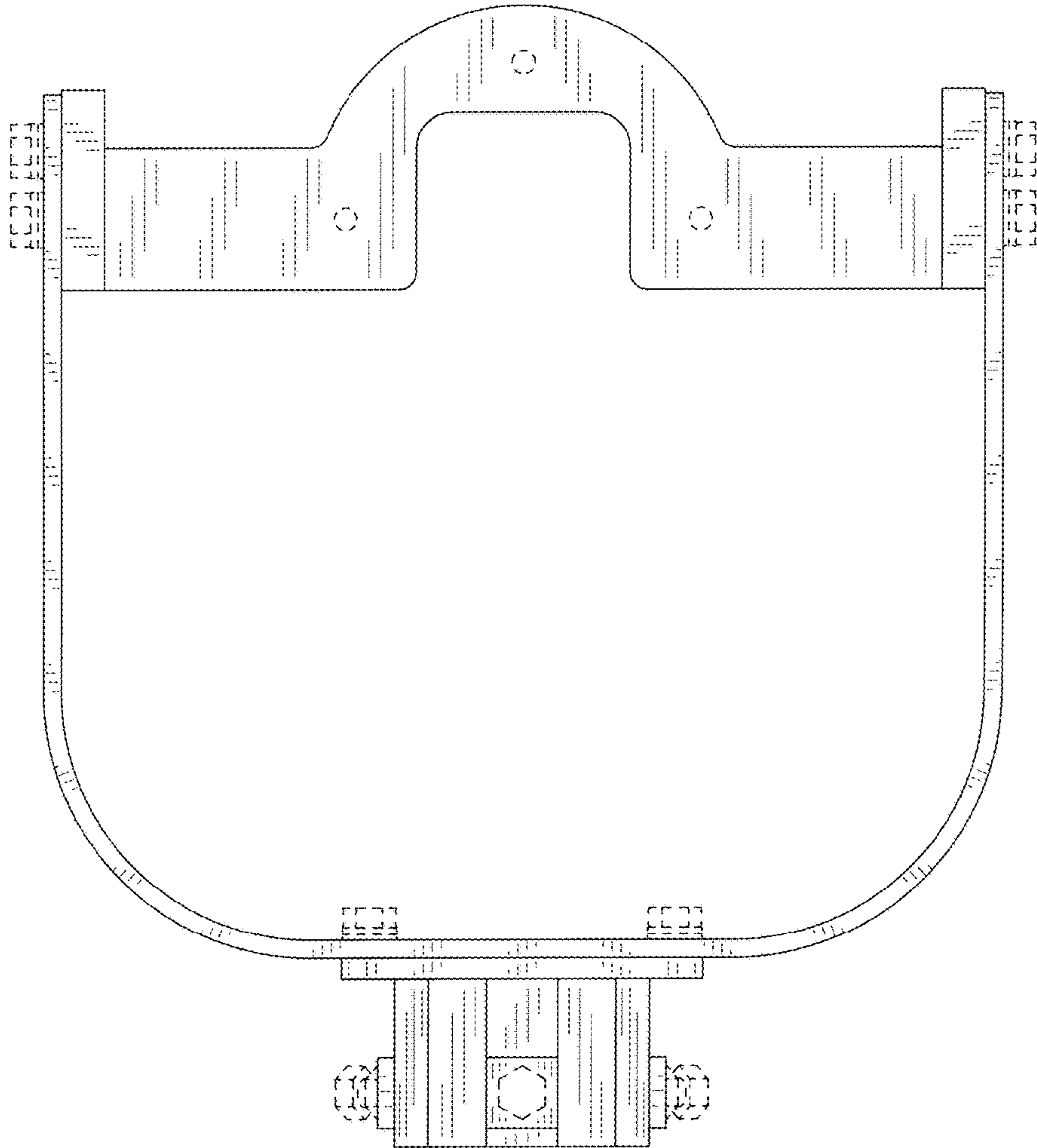


FIG. 3

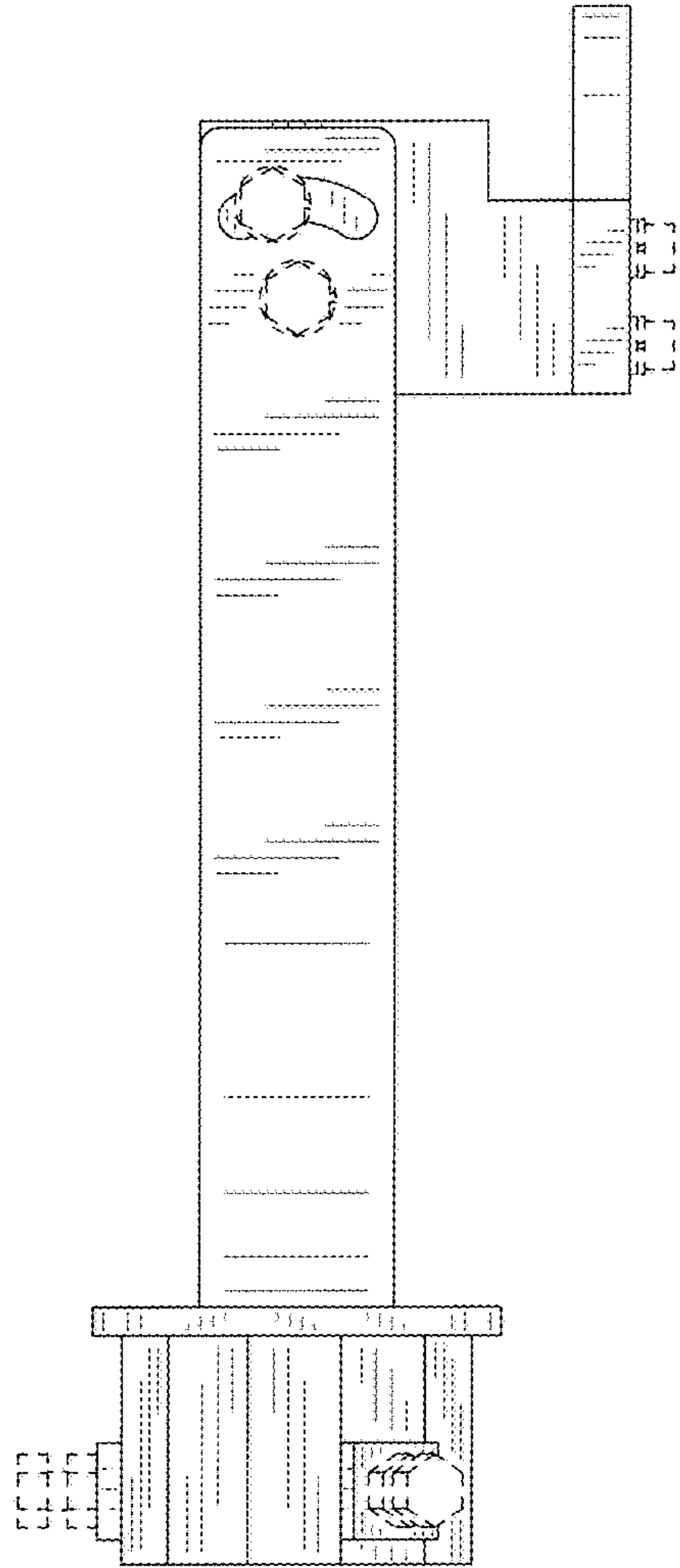


FIG. 4

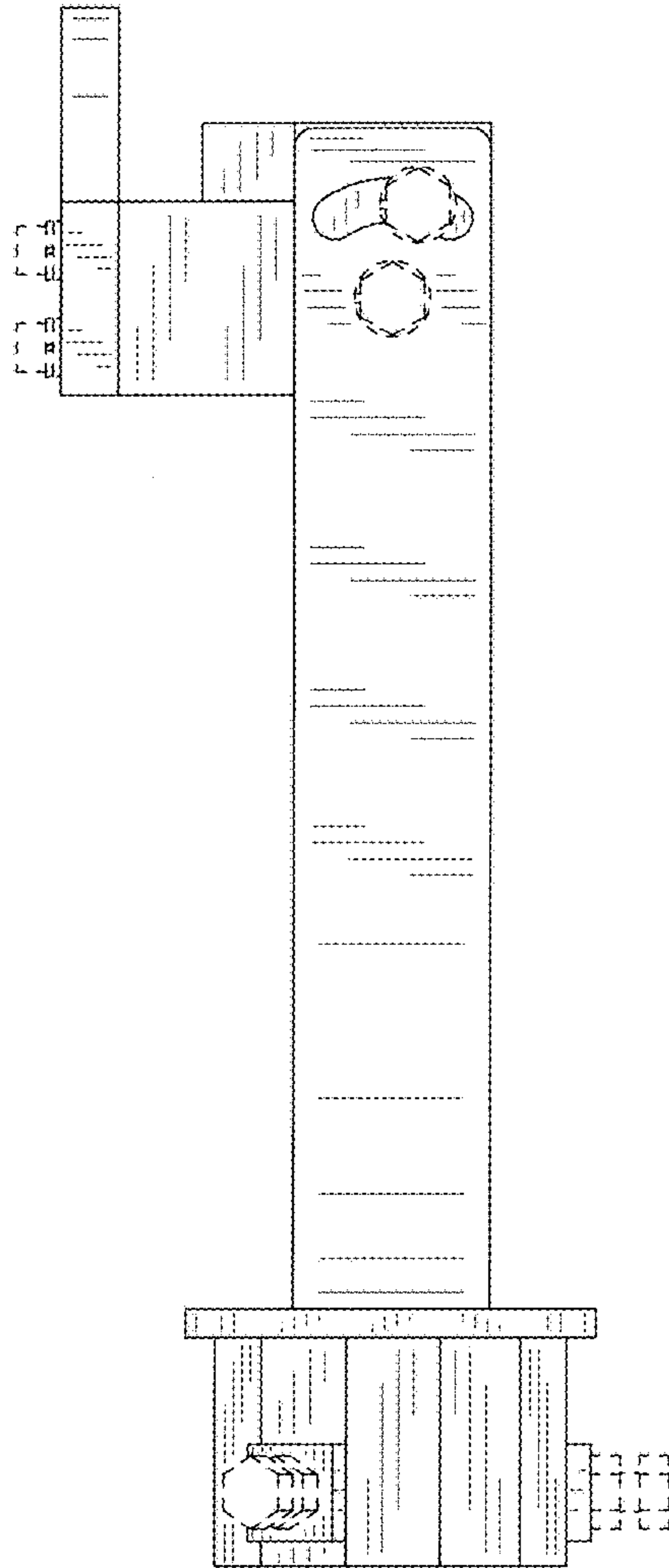


FIG. 5



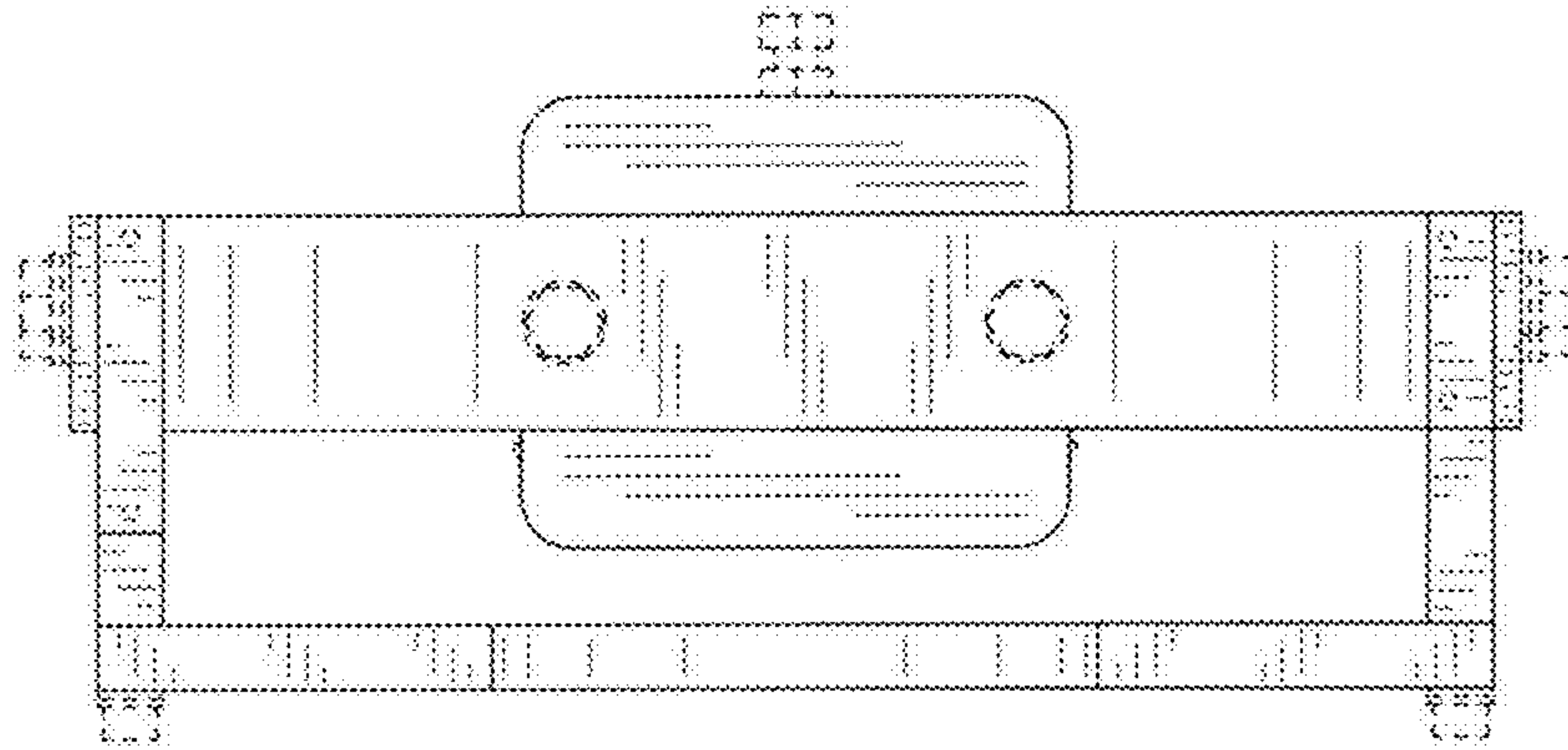


FIG. 6

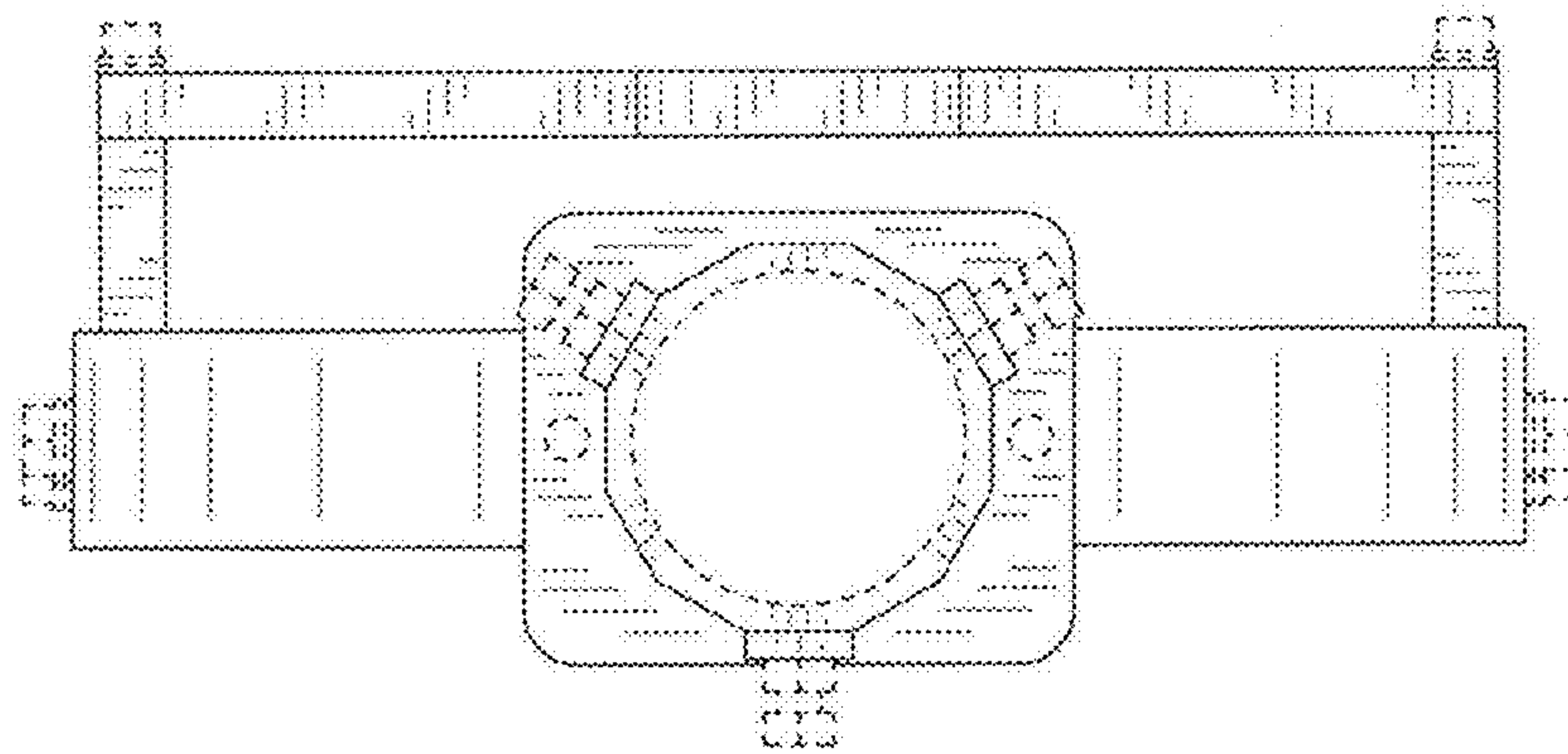


FIG. 7

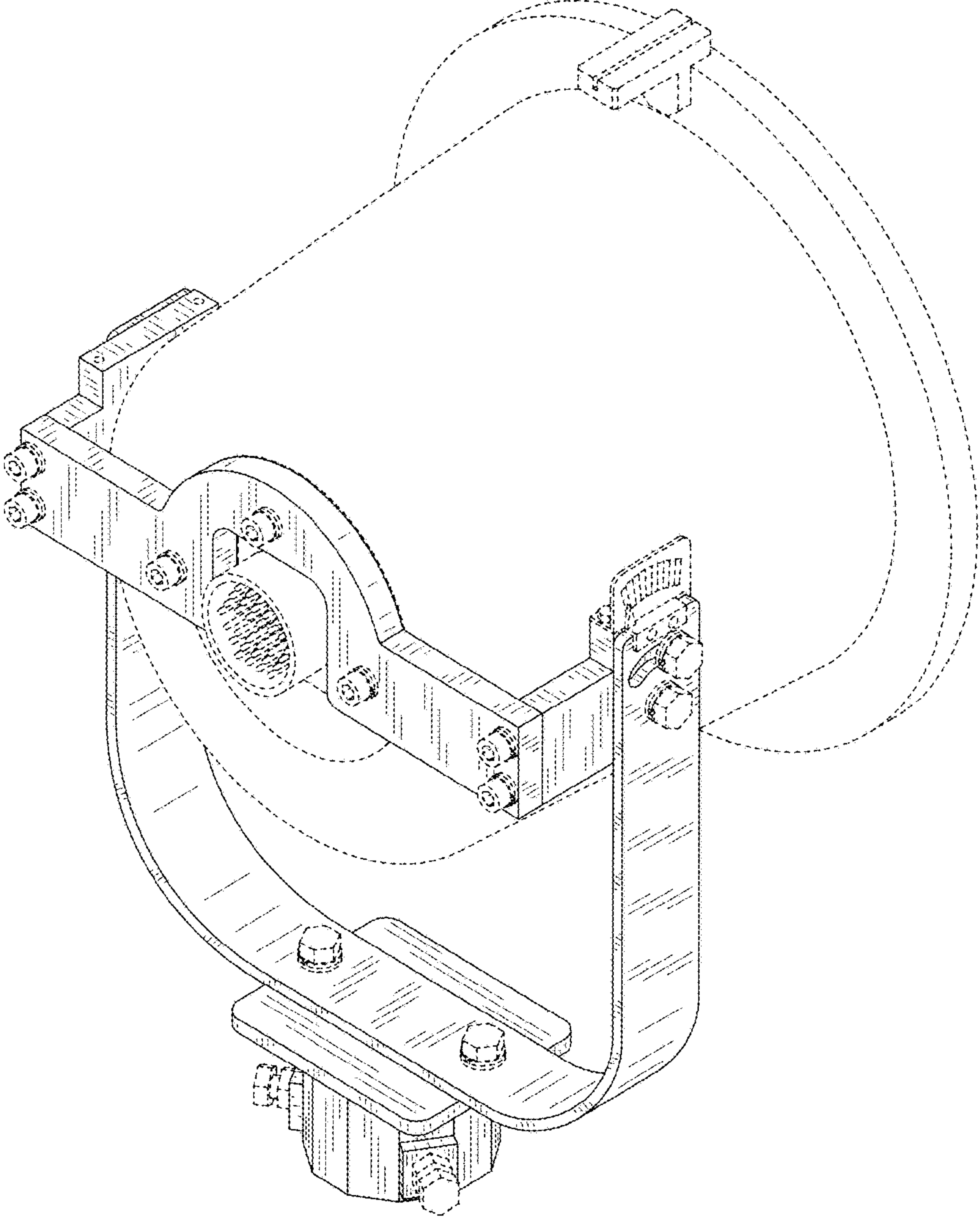


FIG. 8