



US00D864466S

(12) **United States Design Patent** (10) **Patent No.:** **US D864,466 S**
Romano et al. (45) **Date of Patent:** **** Oct. 22, 2019**

(54) **LIGHTING FIXTURE**

(71) Applicant: **Hubbell Incorporated**, Shelton, CT (US)

(72) Inventors: **Perry Romano**, Bradenton, FL (US);
Adam J. Clark, Bradenton, FL (US);
Michael D. Toth, Miami Beach, FL (US)

(73) Assignee: **Hubbell Incorporated**, Shelton, CT (US)

(**) Term: **15 Years**

(21) Appl. No.: **29/602,985**

(22) Filed: **May 5, 2017**

(51) **LOC (12) Cl.** **26-05**

(52) **U.S. Cl.**
USPC **D26/138**

(58) **Field of Classification Search**
USPC D26/76, 78, 79, 80, 81, 82, 83, 85, 86,
D26/88, 90, 93, 111, 113, 118, 119, 120,
D26/121, 122, 138, 139, 140, 141, 142,
D26/152
CPC F21S 2/00; F21S 4/00; F21S 4/003; F21S
4/005; F21S 4/006; F21S 4/007; F21S
4/008; F21S 6/00; F21S 8/00; F21S
8/024; F21S 8/026; F21S 8/031; F21S
8/033; F21S 8/035-037; F21S 8/04; F21S
8/043; F21S 8/063
See application file for complete search history.

(56) **References Cited**

U.S. PATENT DOCUMENTS

D497,439 S * 10/2004 Shaw D26/2
D516,229 S * 2/2006 Tang D26/2
D548,391 S * 8/2007 Lecluze D26/138

D573,294 S * 7/2008 Chan D26/74
D612,956 S * 3/2010 Moon D26/2
D624,691 S * 9/2010 Zhang D26/138
D640,819 S * 6/2011 Pan D26/74
D646,011 S * 9/2011 Rashidi D26/74
D651,738 S * 1/2012 Guercio D13/179
D659,878 S * 5/2012 Rashidi D26/74
D663,888 S * 7/2012 Davis D26/138
D735,933 S * 8/2015 Campagna D26/142
D745,211 S * 12/2015 Serwacki D26/138
9,304,736 B1 4/2016 Whiteley et al.
D770,673 S * 11/2016 Hasan D26/138
D800,957 S * 10/2017 Eder D26/138
D807,559 S * 1/2018 Zhang D26/74
2014/0172953 A1 6/2014 Blanksteen
2014/0249817 A1 9/2014 Hart et al.
2014/0278438 A1 9/2014 Hart et al.
2014/0304418 A1 10/2014 Torok et al.
2014/0343946 A1 11/2014 Torok et al.
2015/0154976 A1 6/2015 Mutagi
2015/0279387 A1 10/2015 List

* cited by examiner

Primary Examiner — Natasha Vujcic
(74) *Attorney, Agent, or Firm* — Dority & Manning, P.A.

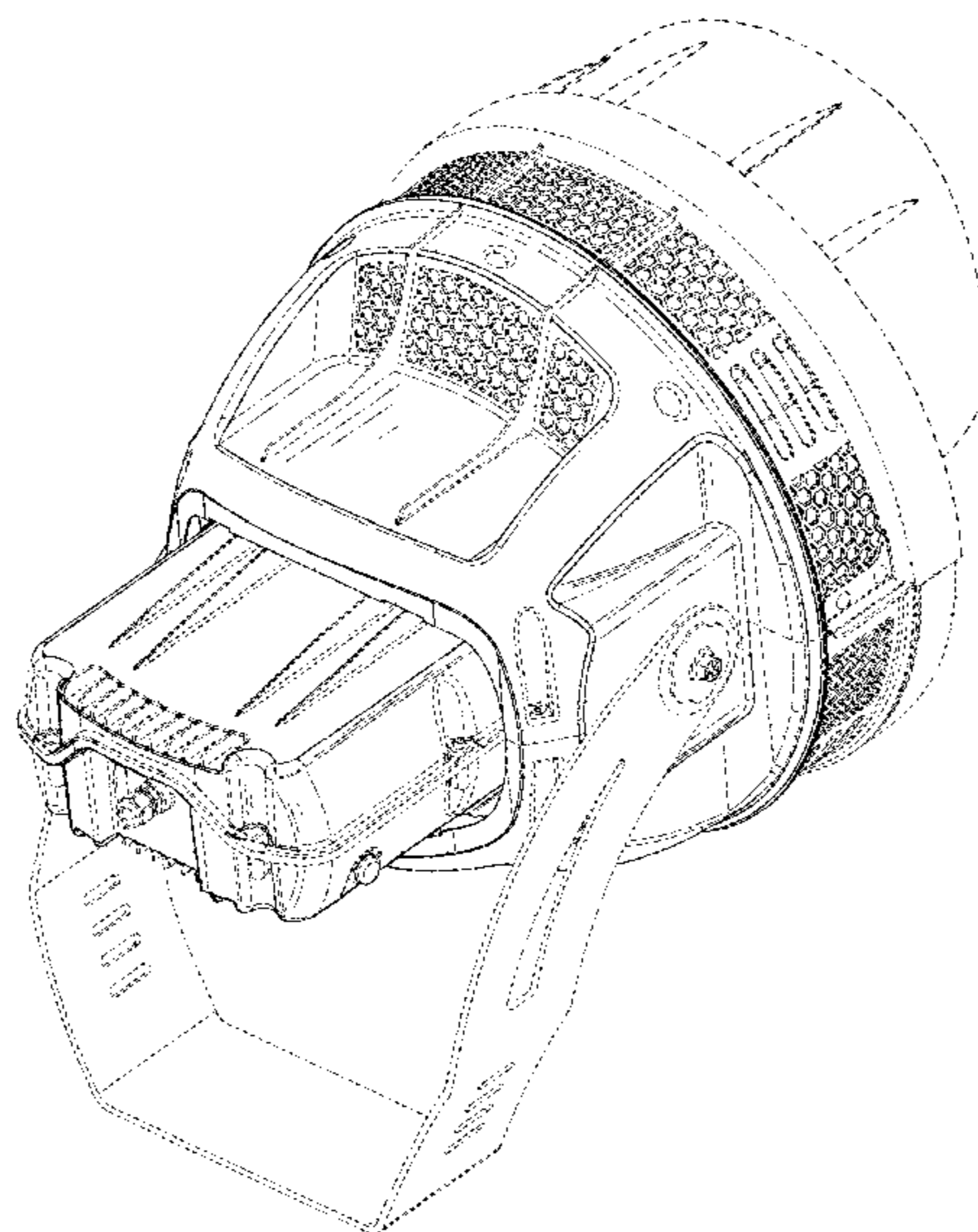
(57) **CLAIM**

The ornamental design for a lighting fixture, as shown and described.

DESCRIPTION

FIG. 1 is a perspective view of a lighting fixture;
FIG. 2 is a side, elevation view of the lighting fixture;
FIG. 3 is another side, elevation view of the lighting fixture;
FIG. 4 is a front, elevation view of the lighting fixture;
FIG. 5 is a rear, elevation view of the lighting fixture;
FIG. 6 is a top, plan view of the lighting fixture; and,
FIG. 7 is a bottom, plan view of the lighting fixture.
The broken lines in the drawings illustrate portions of the lighting fixture which forms no part of the claimed design.

1 Claim, 7 Drawing Sheets



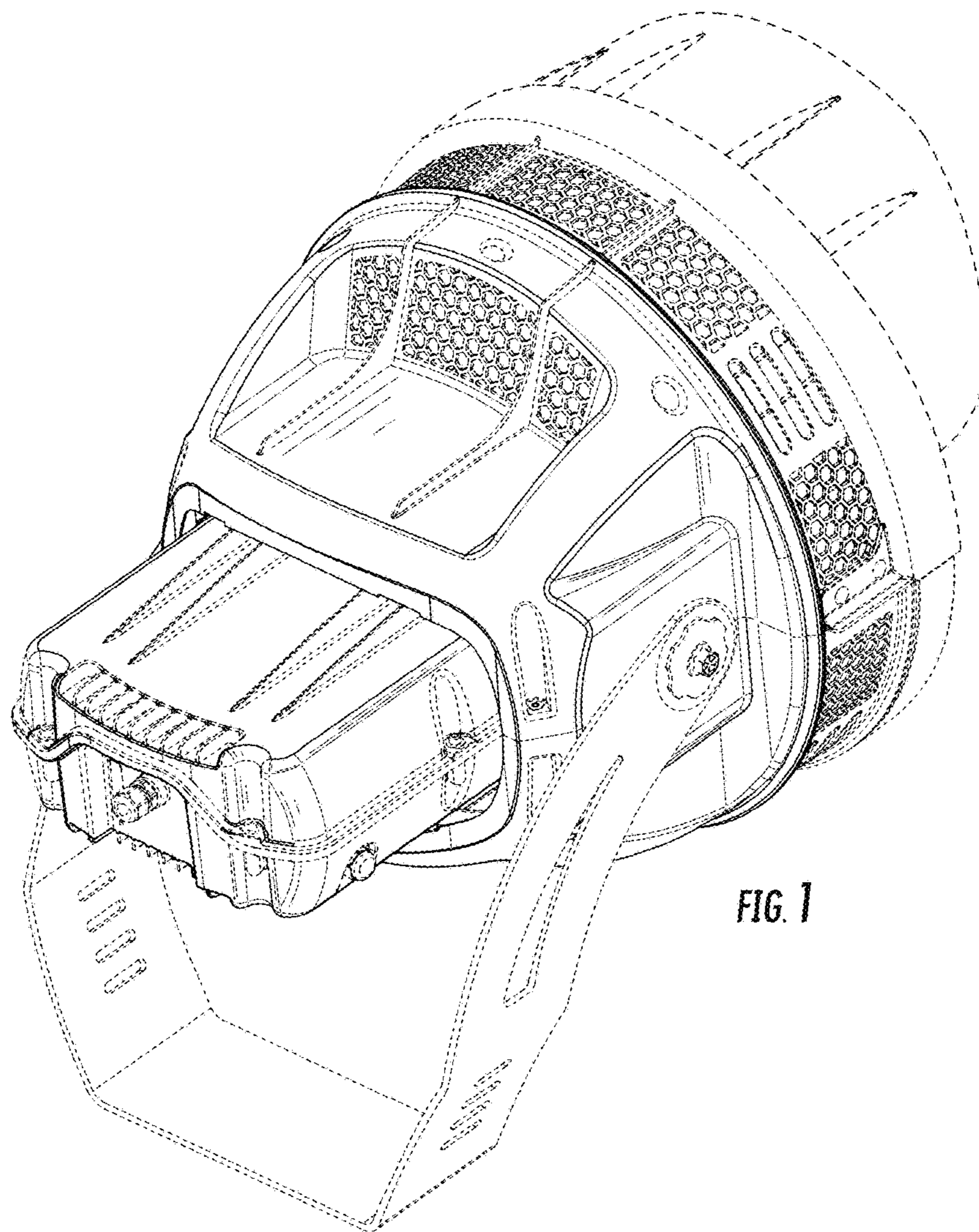
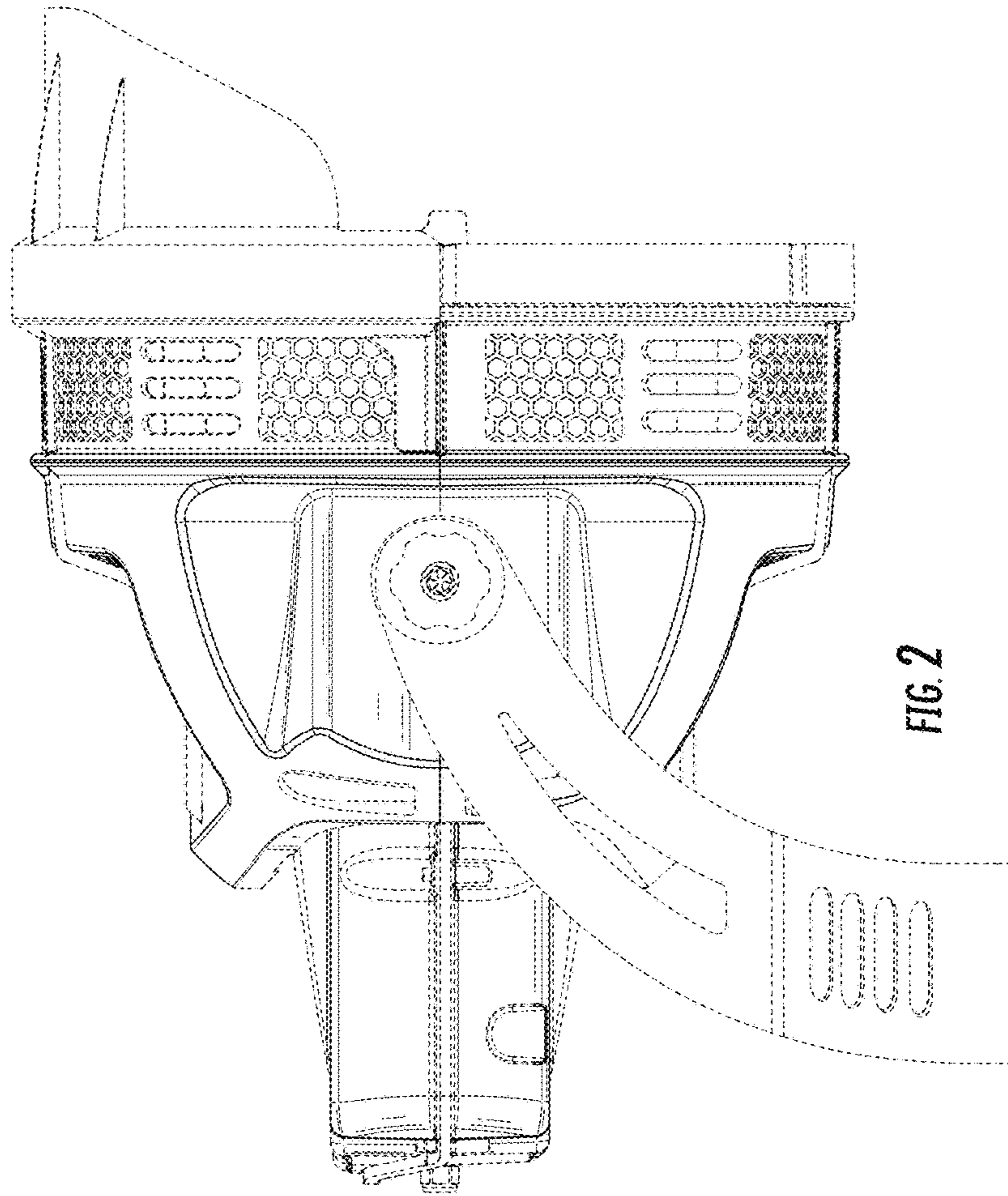


FIG. 1



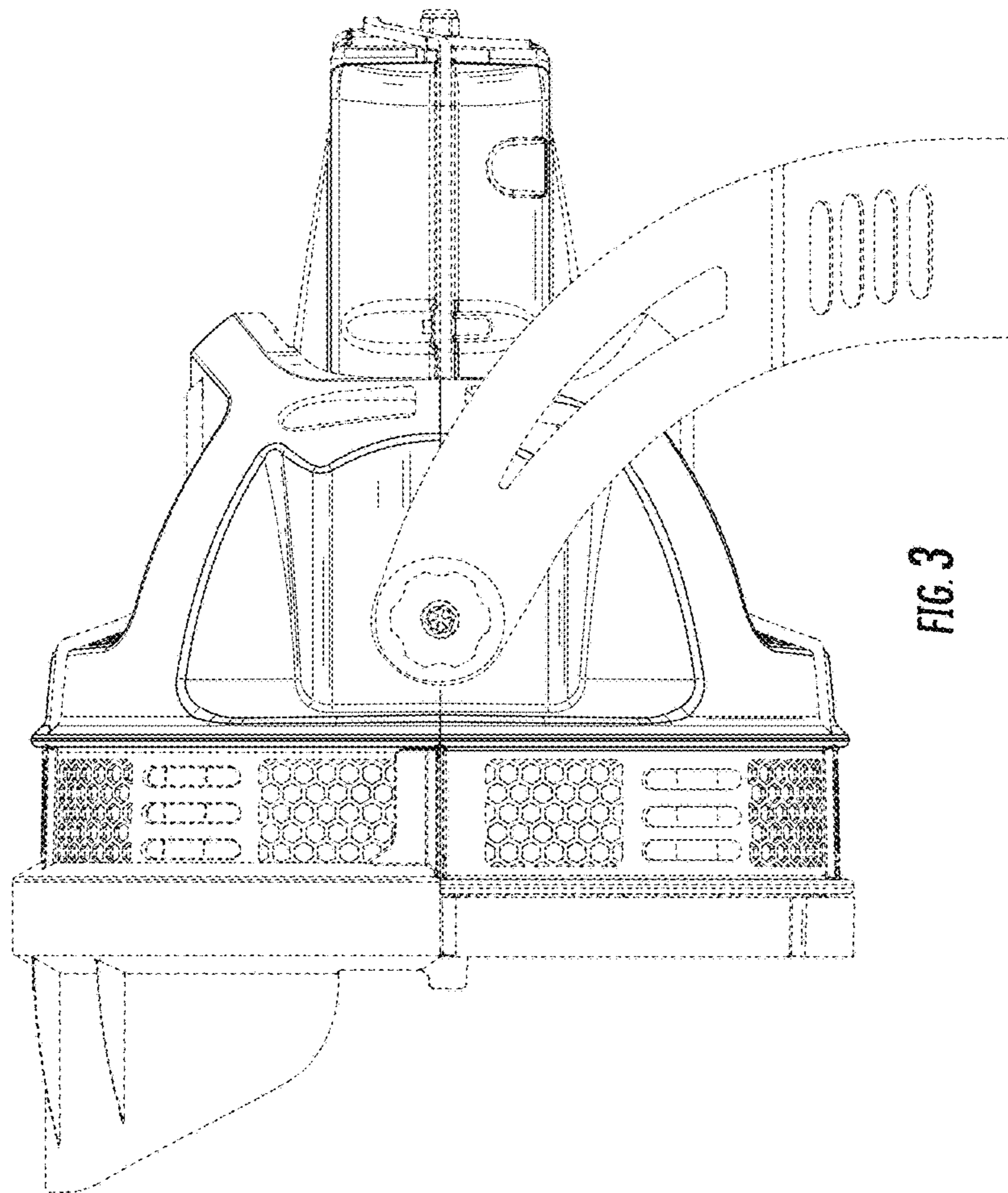


FIG. 3

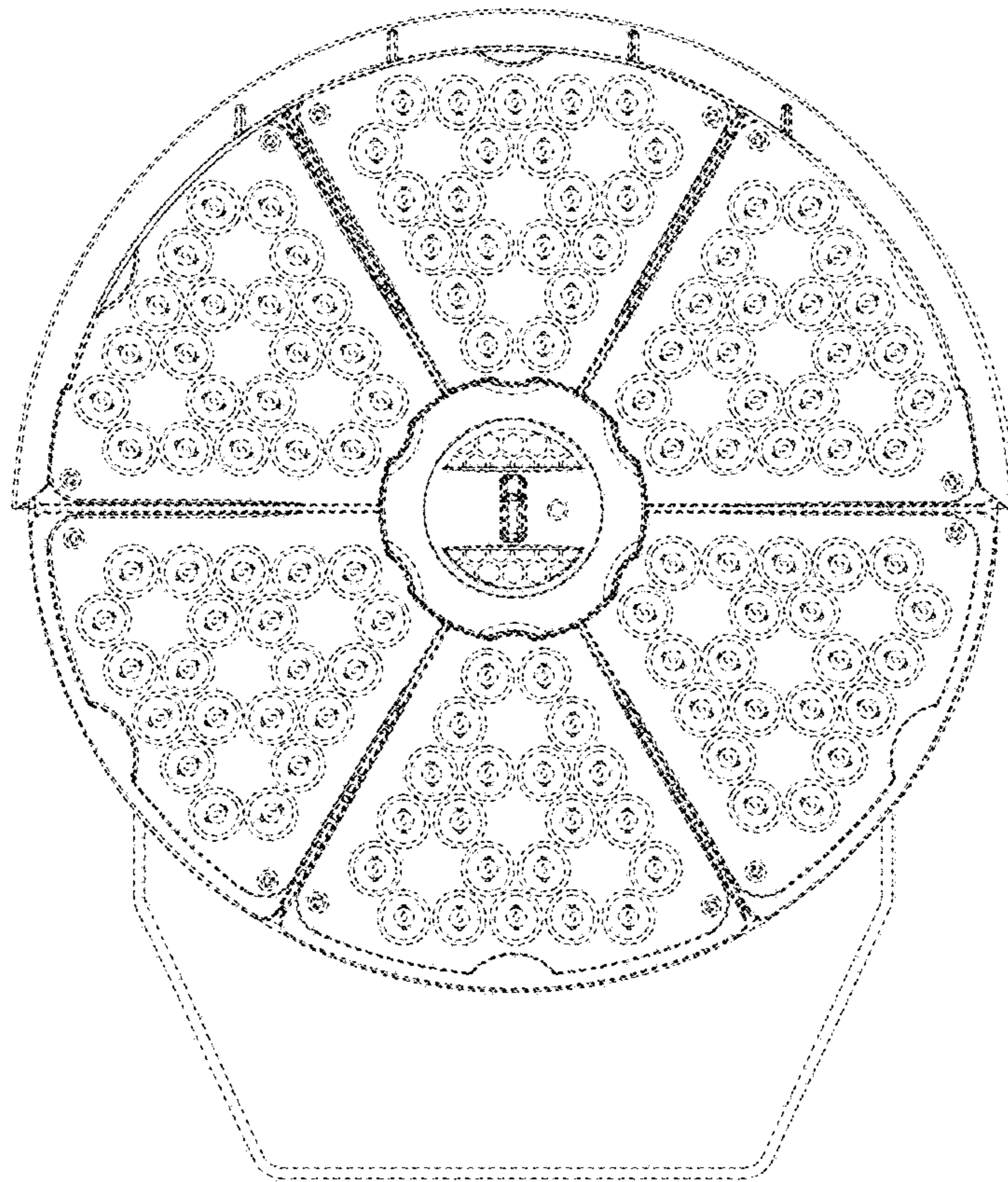


FIG. 4

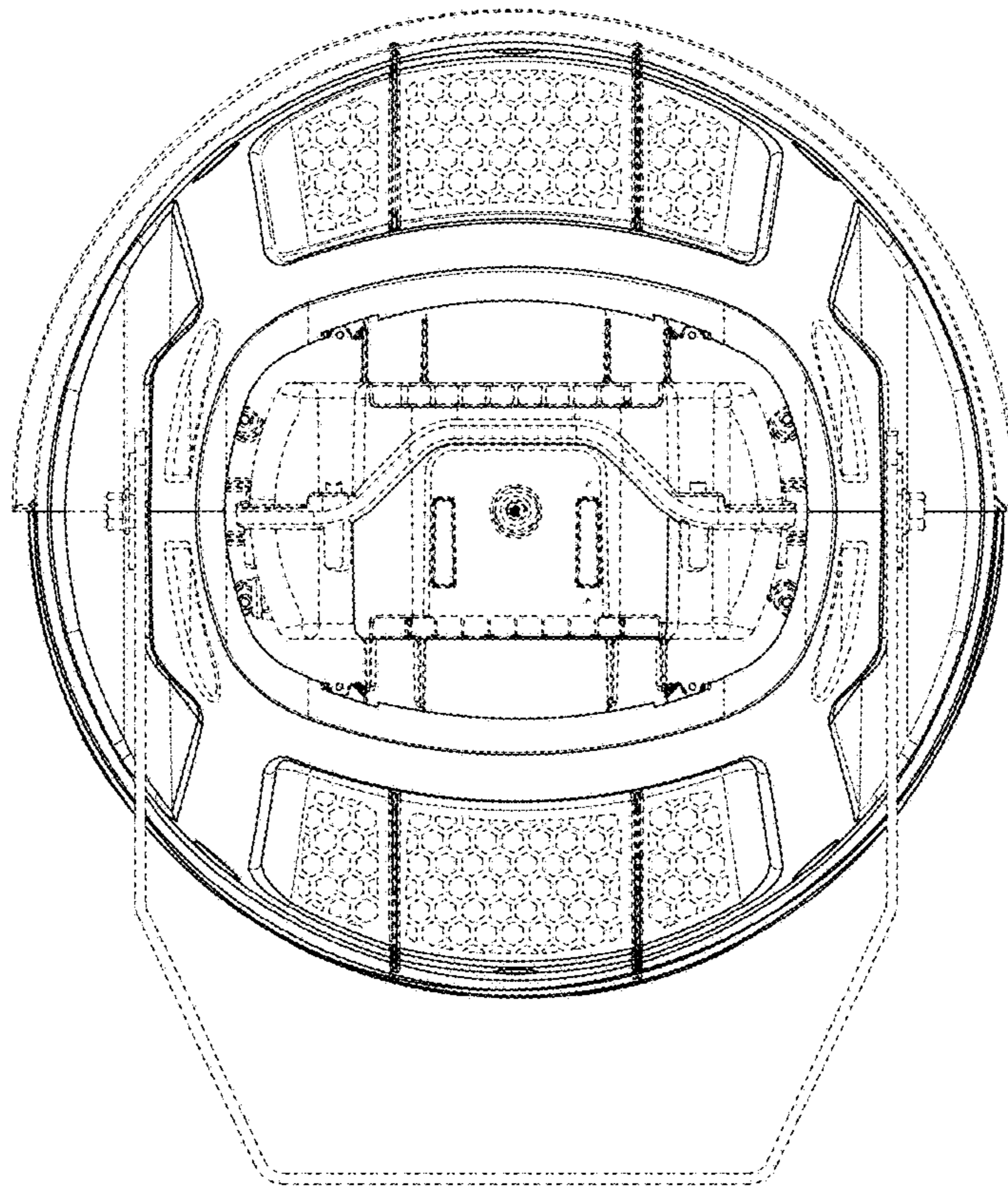


FIG. 5

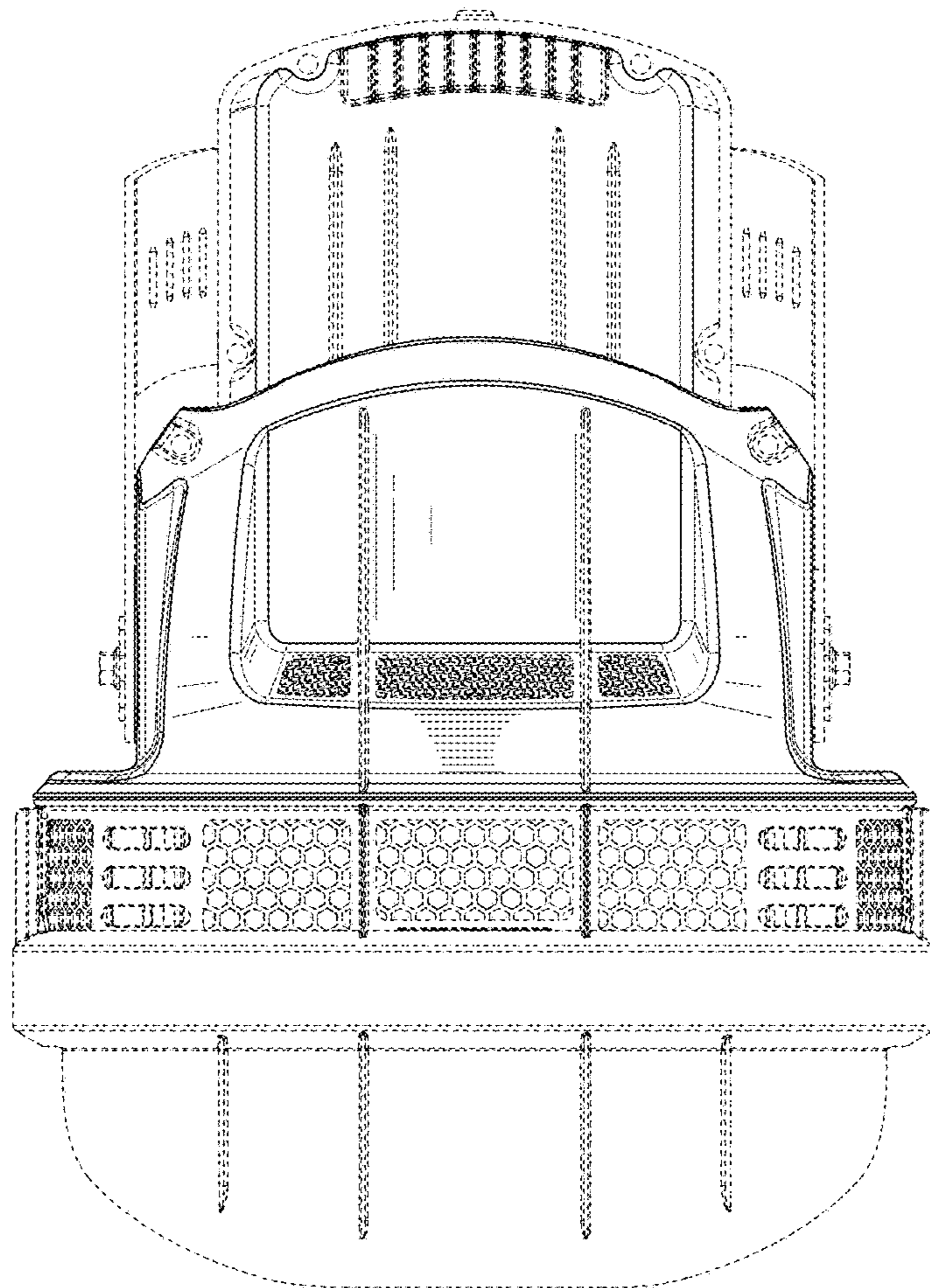


FIG. 6

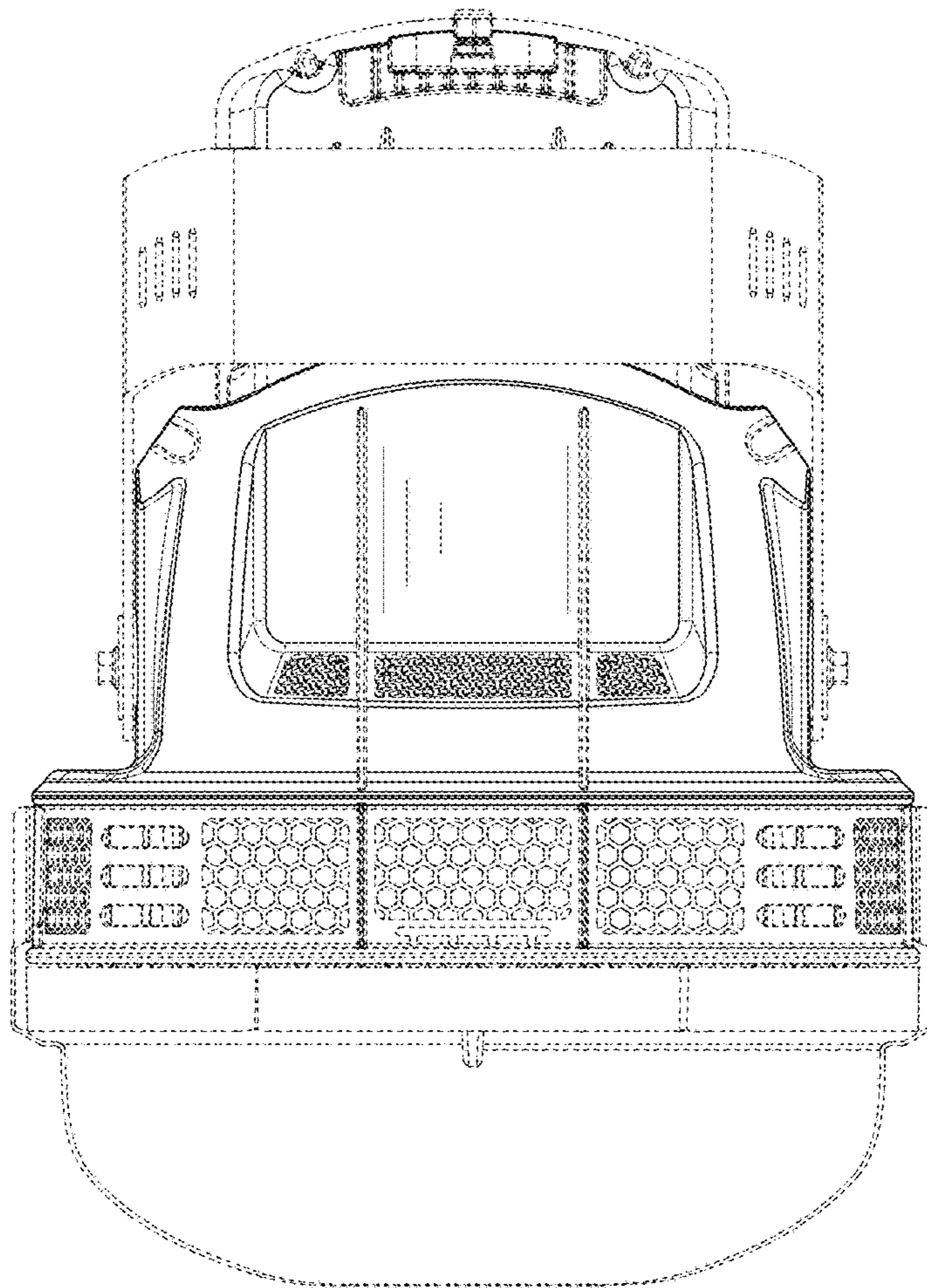


FIG. 7