



US00D864463S

(12) **United States Design Patent**  
**Chang**

(10) **Patent No.:** **US D864,463 S**

(45) **Date of Patent:** **\*\* Oct. 22, 2019**

(54) **LED LAMP**

D768,908 S \* 10/2016 Fisher ..... D26/107  
D775,399 S \* 12/2016 Fioravanti ..... D26/107  
D822,879 S \* 7/2018 Hodgson ..... D26/108

(71) Applicant: **Herman Chang**, Rancho Dominguez,  
CA (US)

\* cited by examiner

(72) Inventor: **Herman Chang**, Rancho Dominguez,  
CA (US)

*Primary Examiner* — Brian N. Vinson

(74) *Attorney, Agent, or Firm* — Stefan J. Kirchanski;  
Matthew J. Spark; Zuber Lawler & Del Duca LLP

(\*\*) Term: **15 Years**

(21) Appl. No.: **29/621,684**

(22) Filed: **Oct. 10, 2017**

(51) **LOC (12) Cl.** ..... **26-03**

(52) **U.S. Cl.**  
USPC ..... **D26/107**

(58) **Field of Classification Search**  
USPC ..... D26/1, 24, 93, 104, 106, 107, 109, 110,  
D26/62  
CPC ..... F21S 6/00; F21S 6/043; F21S 8/08; F21V  
21/00; F21V 21/02; F21W 2121/00;  
F21W 2131/30

See application file for complete search history.

(56) **References Cited**

**U.S. PATENT DOCUMENTS**

D488,248 S \* 4/2004 Toyoaki ..... D26/65  
D563,583 S \* 3/2008 Iai ..... D26/65  
D654,199 S \* 2/2012 Xie ..... D26/63  
D667,980 S \* 9/2012 Kim ..... D26/63  
D690,044 S \* 9/2013 Ng ..... D26/65  
D729,964 S \* 5/2015 Huh ..... D26/63  
D744,154 S \* 11/2015 Ng ..... D26/107

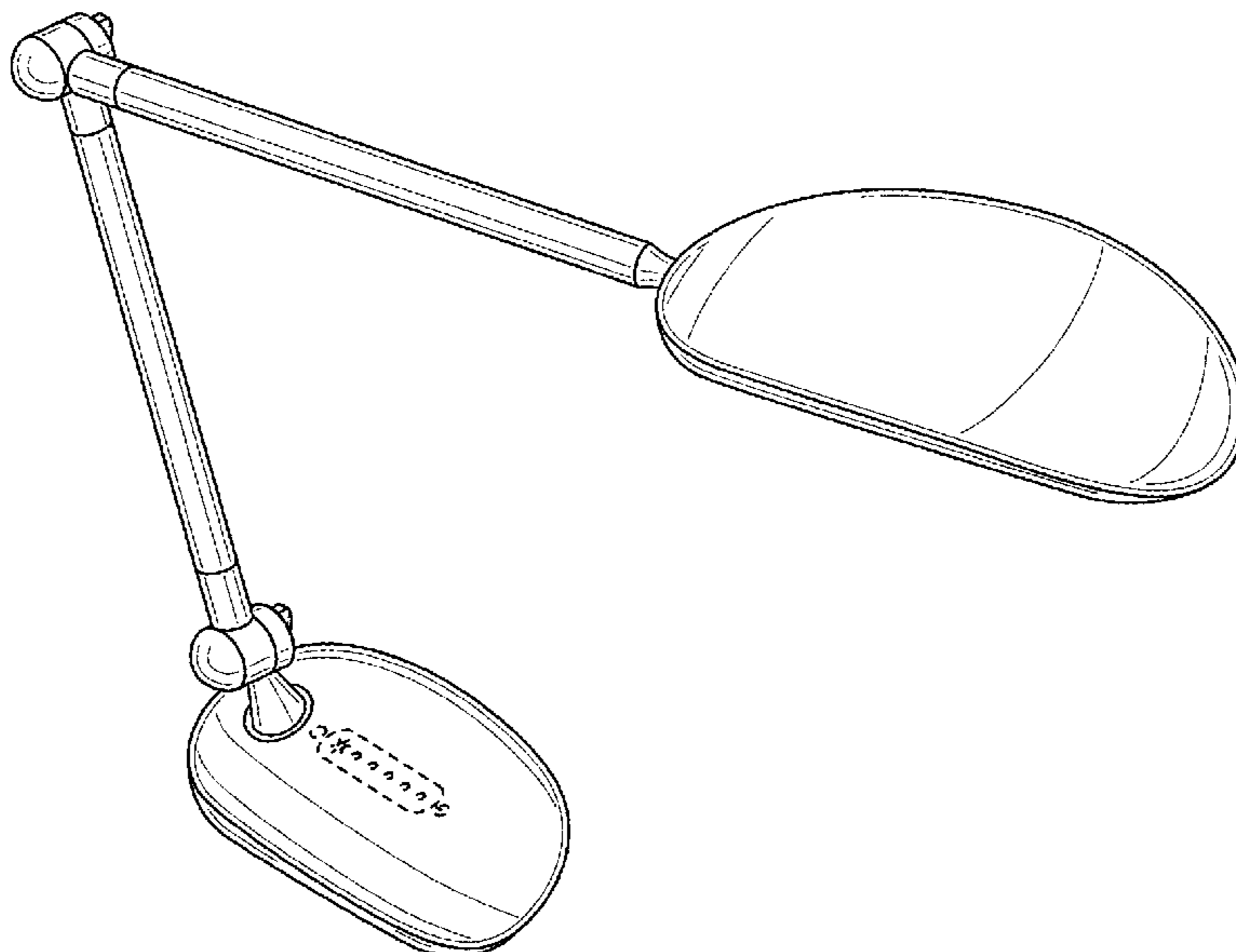
(57) **CLAIM**

The ornamental design for an LED lamp, as shown and described.

**DESCRIPTION**

FIG. 1 is a left perspective view of an LED lamp showing my new design;  
FIG. 2 is a front view thereof;  
FIG. 3 is a back view thereof;  
FIG. 4 is a left side view thereof;  
FIG. 5 is a right side view thereof;  
FIG. 6 is a top view thereof;  
FIG. 7 is a bottom view thereof;  
FIG. 8 is a front view of the LED lamp, shown in a position of use; and,  
FIG. 9 is a back view thereof.  
The broken line disclosure represents portions of the lamp which form no part of the claimed design.

**1 Claim, 9 Drawing Sheets**



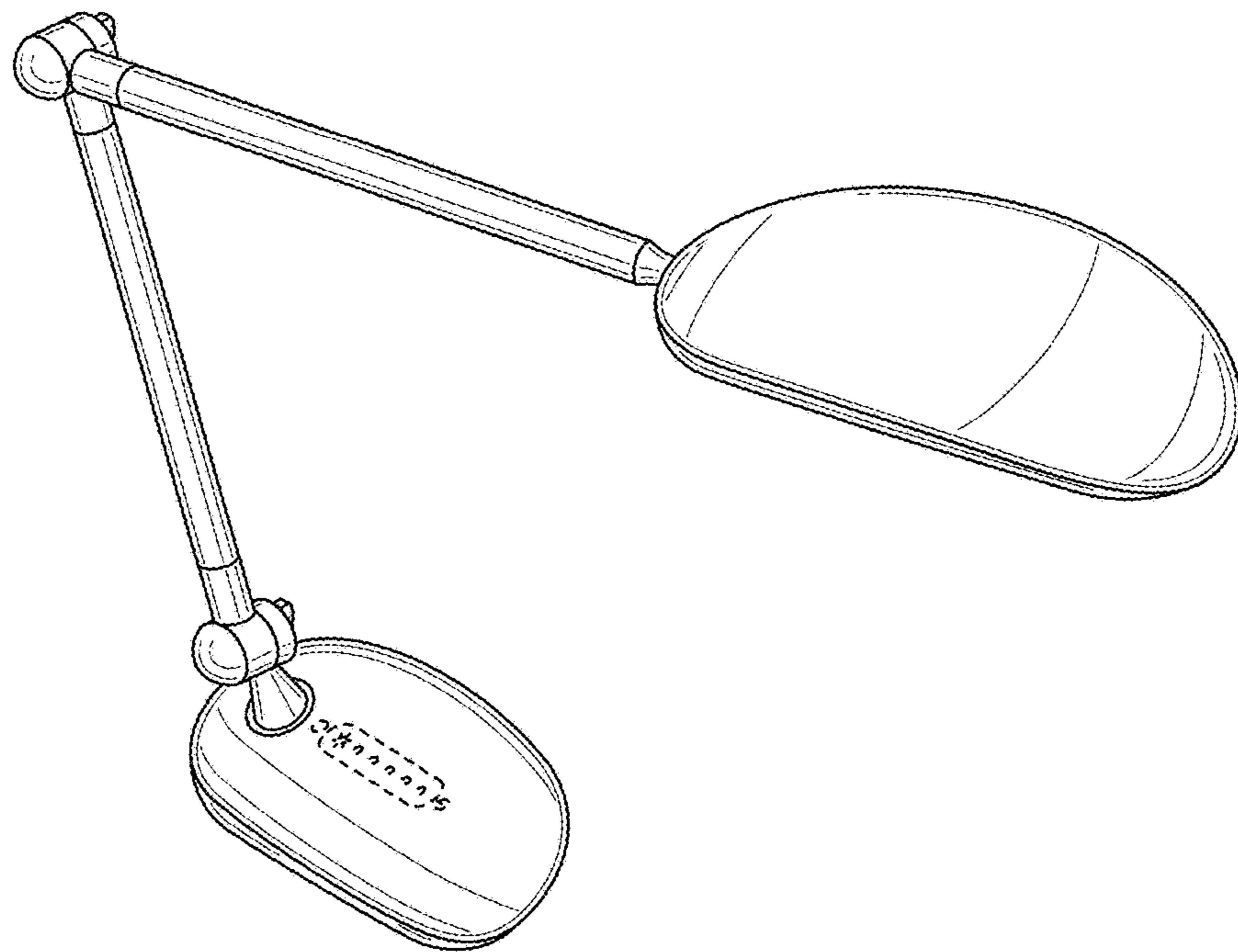


FIG. 1

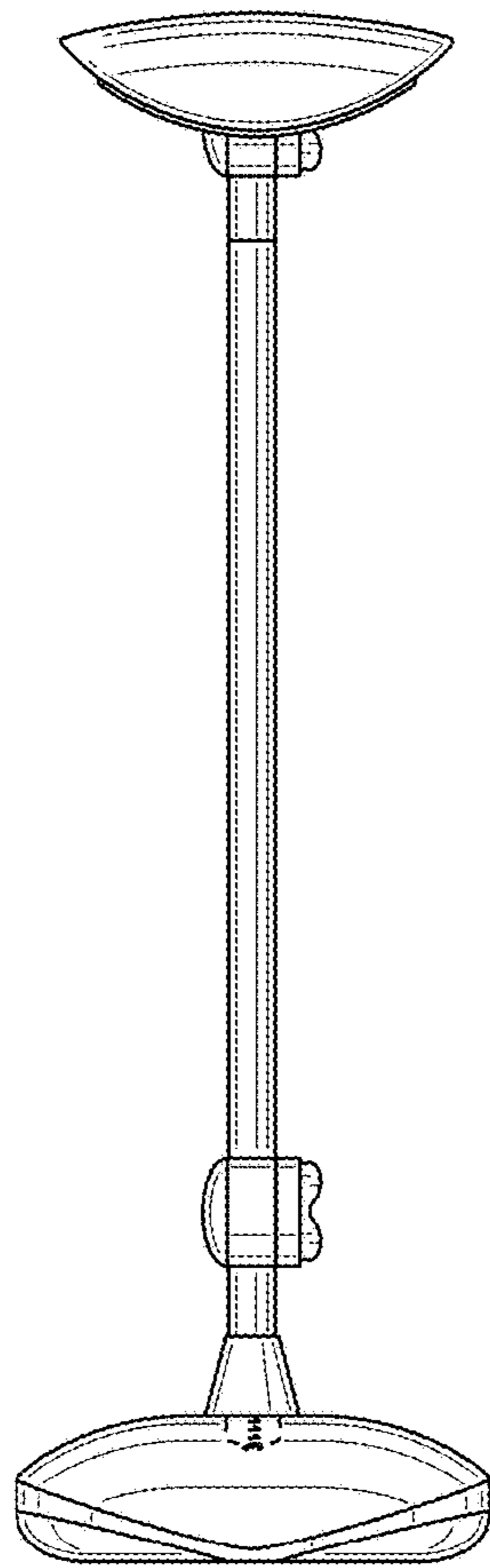


FIG. 2

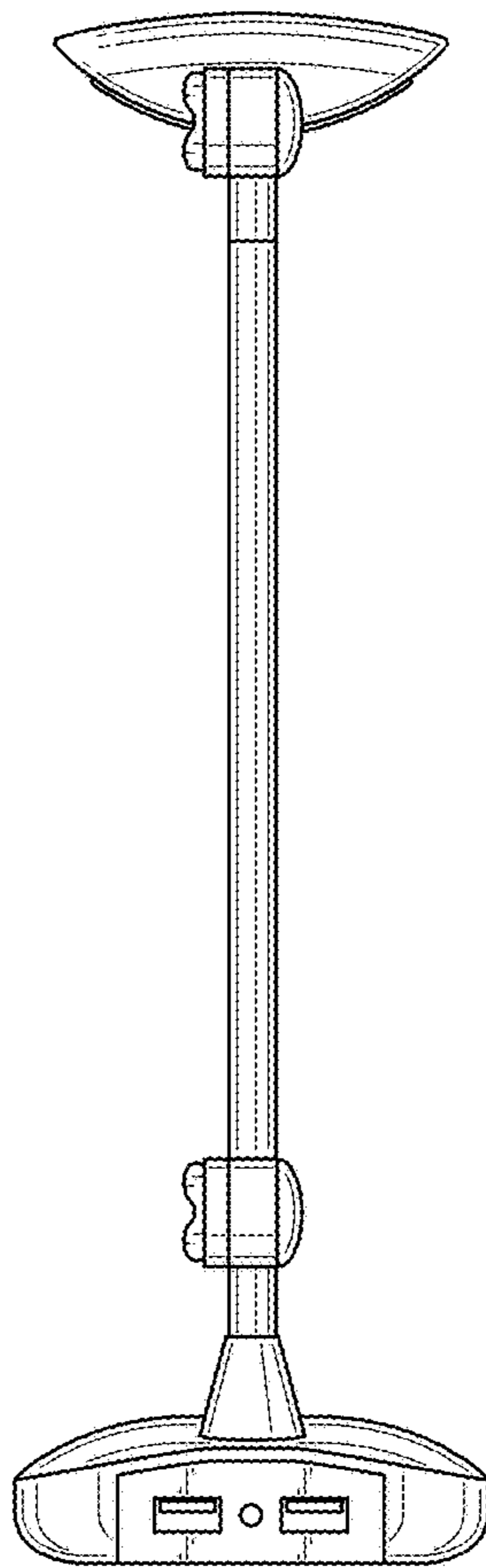


FIG. 3

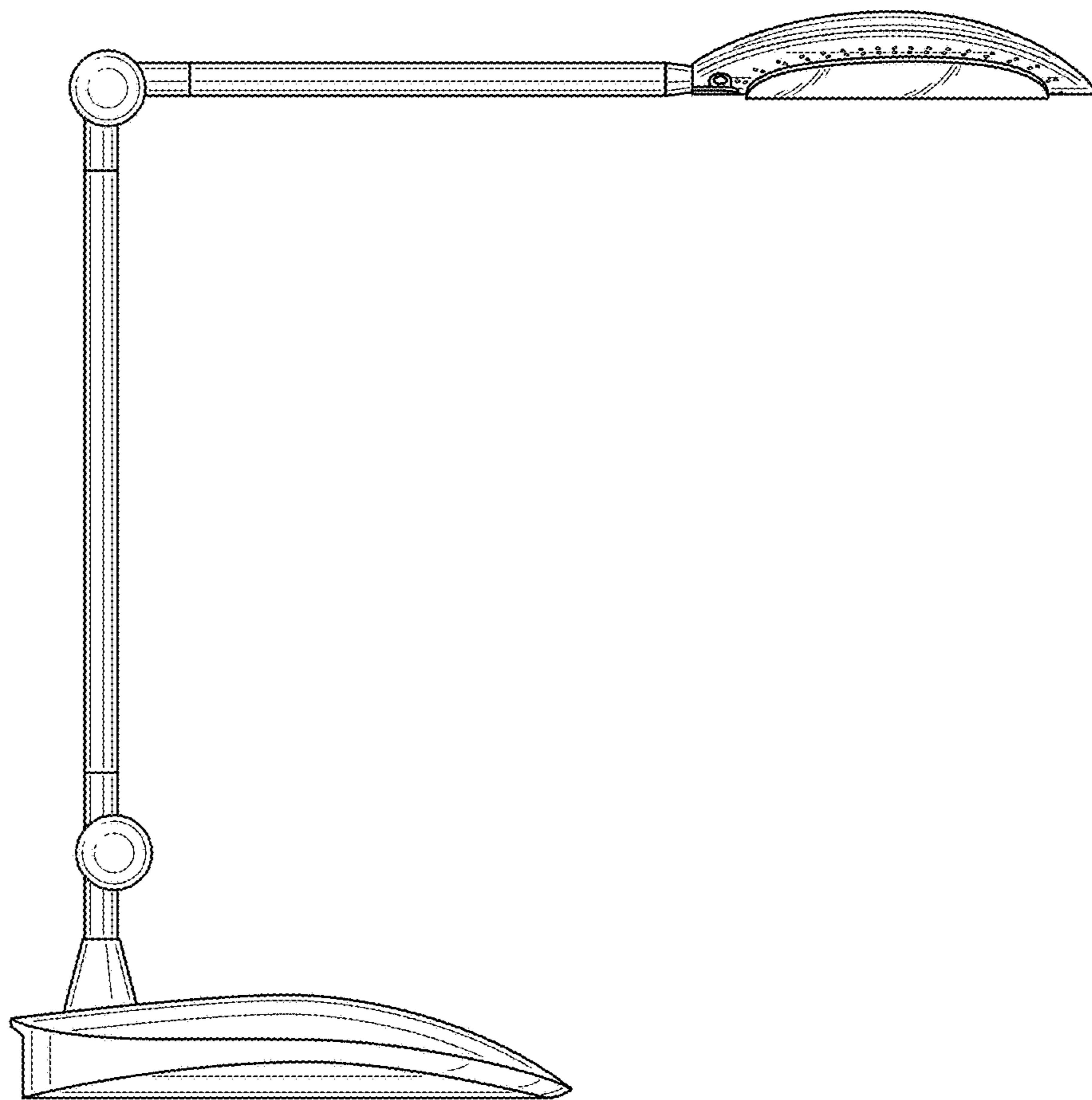


FIG. 4

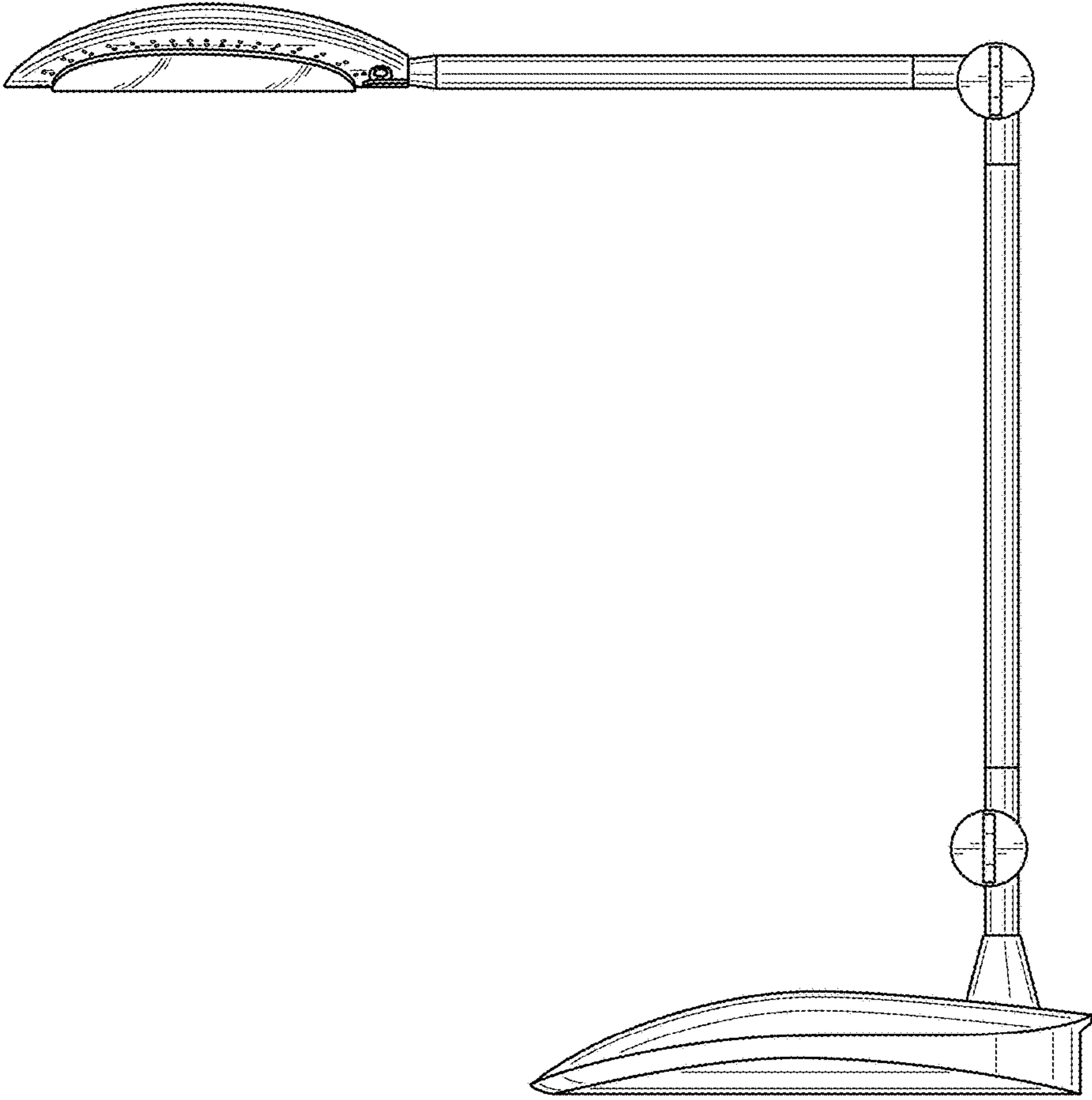


FIG. 5

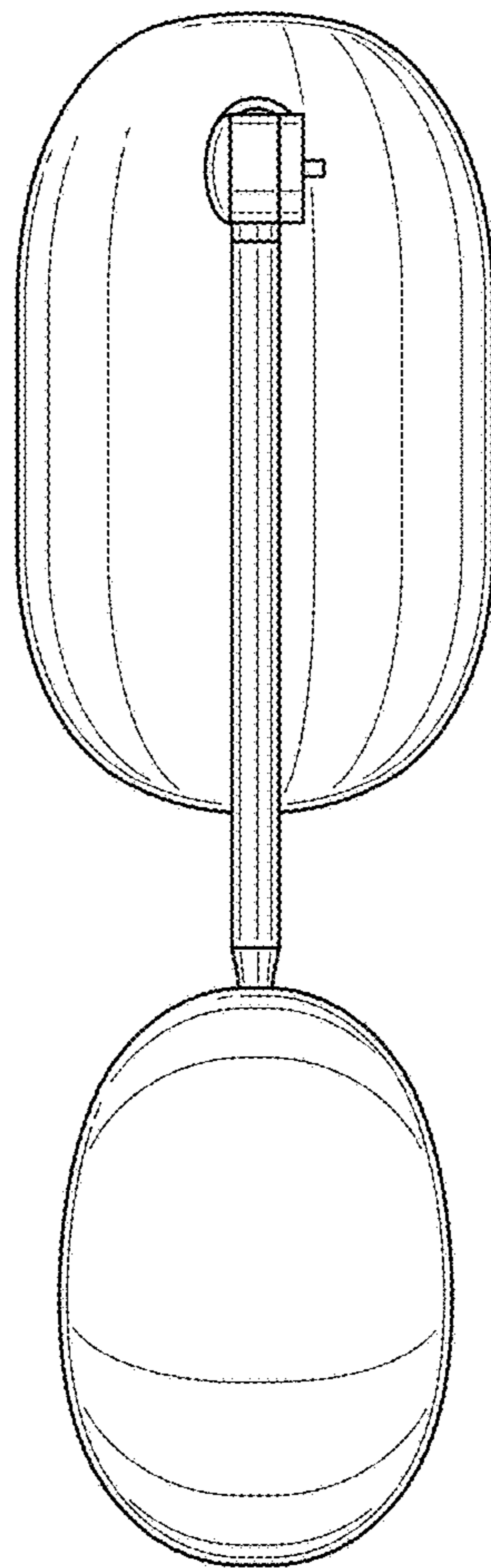


FIG. 6

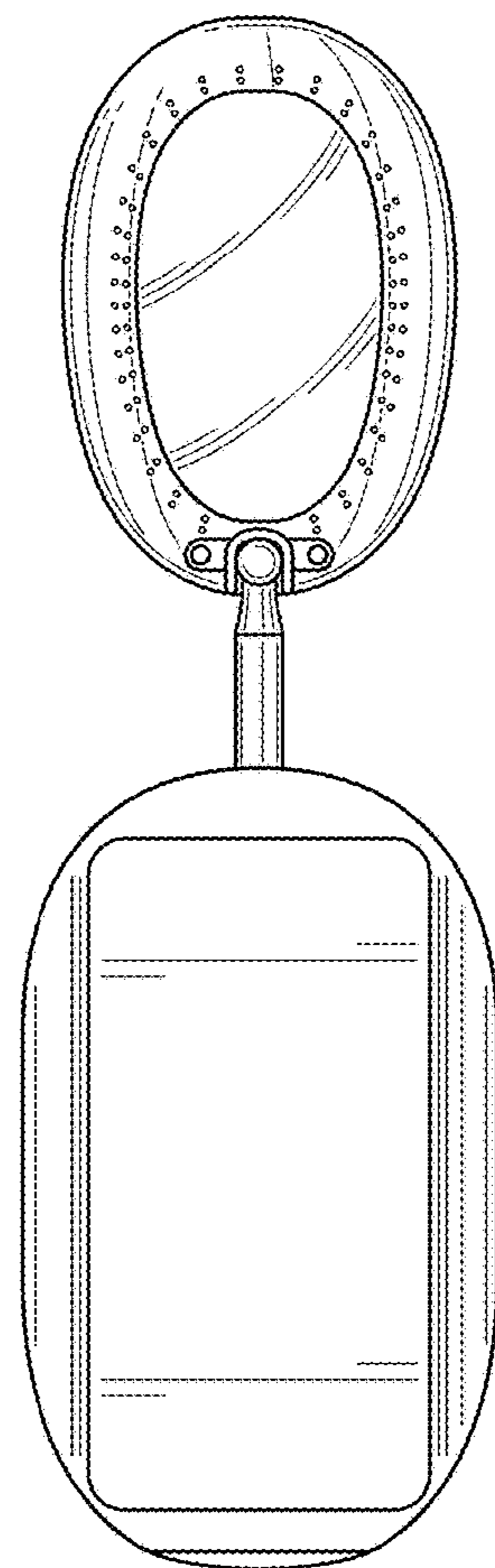


FIG. 7



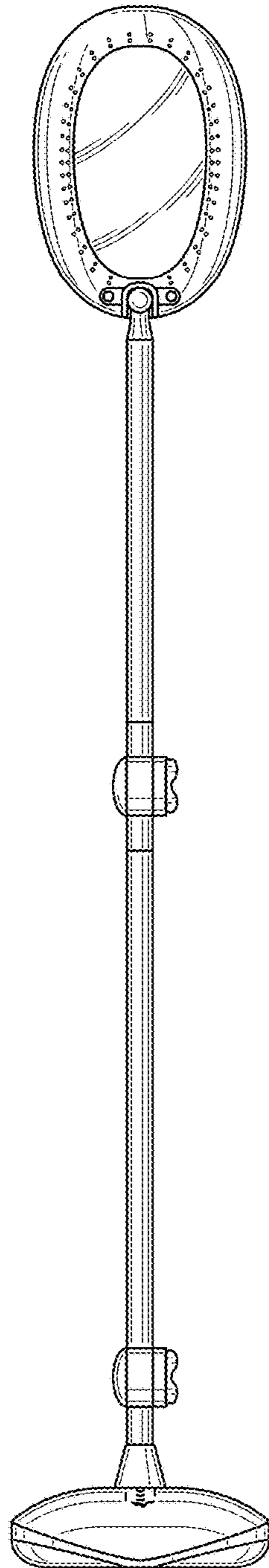


FIG. 8

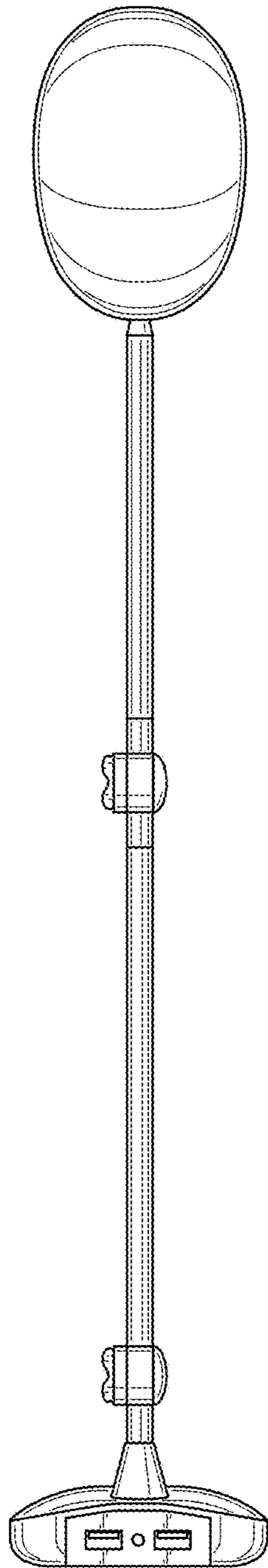


FIG. 9