

US00D864462S

(12) **United States Design Patent** (10) **Patent No.:** **US D864,462 S**  
**Gratton** (45) **Date of Patent:** **\*\* Oct. 22, 2019**

(54) **LIGHT FIXTURE**  
(71) Applicant: **SWAROVSKI LIGHTING, LTD.**,  
Plattsburgh, NY (US)  
(72) Inventor: **Meredith Gratton**, Plattsburgh, NY  
(US)  
(73) Assignee: **SWAROVSKI LIGHTING, LTD.**,  
Plattsburgh, NY (US)

D169,063 S \* 3/1953 Gregg ..... D11/156  
D257,897 S \* 1/1981 Scholze ..... D26/105  
D257,898 S \* 1/1981 Scholze ..... D26/105  
D257,899 S \* 1/1981 Scholze ..... D26/105  
D312,965 S \* 12/1990 Mansau ..... D26/103  
D328,956 S \* 8/1992 Leonard ..... D11/131  
5,144,541 A 9/1992 Schonbek  
5,222,805 A 6/1993 Schonbek et al.

(Continued)

(\*\*) Term: **15 Years**  
(21) Appl. No.: **35/001,477**  
(22) Filed: **Jan. 4, 2018**  
(80) **Hague Agreement Data**  
Int. Filing Date: **Jan. 4, 2018**  
Int. Reg. No.: **DM/099885**  
Int. Reg. Date: **Jan. 4, 2018**  
Int. Reg. Pub. Date: **Mar. 9, 2018**

**OTHER PUBLICATIONS**

Screenshot dated Oct. 25, 2018. One page. Found online Jun. 20, 2019 at: [https://www.facebook.com/Swarovski/photos/a.200266209461/10156690669964462/?type=3&theater.\\*](https://www.facebook.com/Swarovski/photos/a.200266209461/10156690669964462/?type=3&theater.*)

(Continued)

*Primary Examiner* — Robert M. Spear  
(74) *Attorney, Agent, or Firm* — Heslin Rothenberg  
Farley & Mesiti P.C.

**Related U.S. Application Data**

(63) Continuation of application No. 35/001,473, filed on Dec. 18, 2017 (U.S. filing date under 35 U.S.C. 384), and having an international filing date of Dec. 18, 2017.

(51) **LOC (12) Cl.** ..... **26-03**  
(52) **U.S. Cl.**  
USPC ..... **D26/103**; D26/128

(58) **Field of Classification Search**  
USPC ..... D26/51, 72, 80, 81, 85, 86, 88, 89, 91,  
D26/93, 103, 104, 110, 112, 118  
CPC .... F21S 6/00; F21S 6/002; F21S 6/004; F21S  
8/04

See application file for complete search history.

(56) **References Cited**

**U.S. PATENT DOCUMENTS**

1,861,206 A \* 5/1932 Burgess ..... B65D 5/5011  
206/216  
D165,153 S \* 11/1951 Gregg ..... D26/86

(57) **CLAIM**

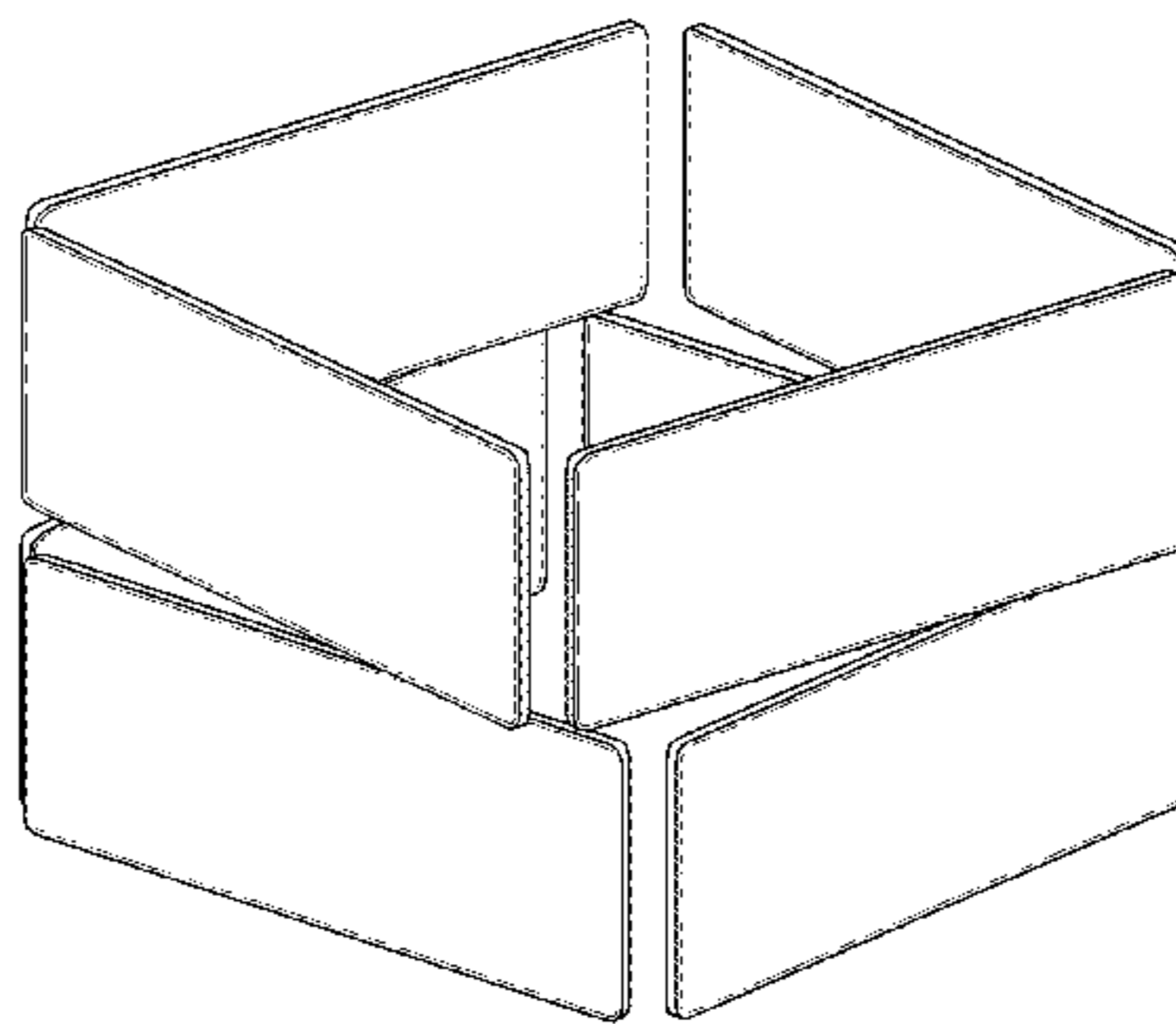
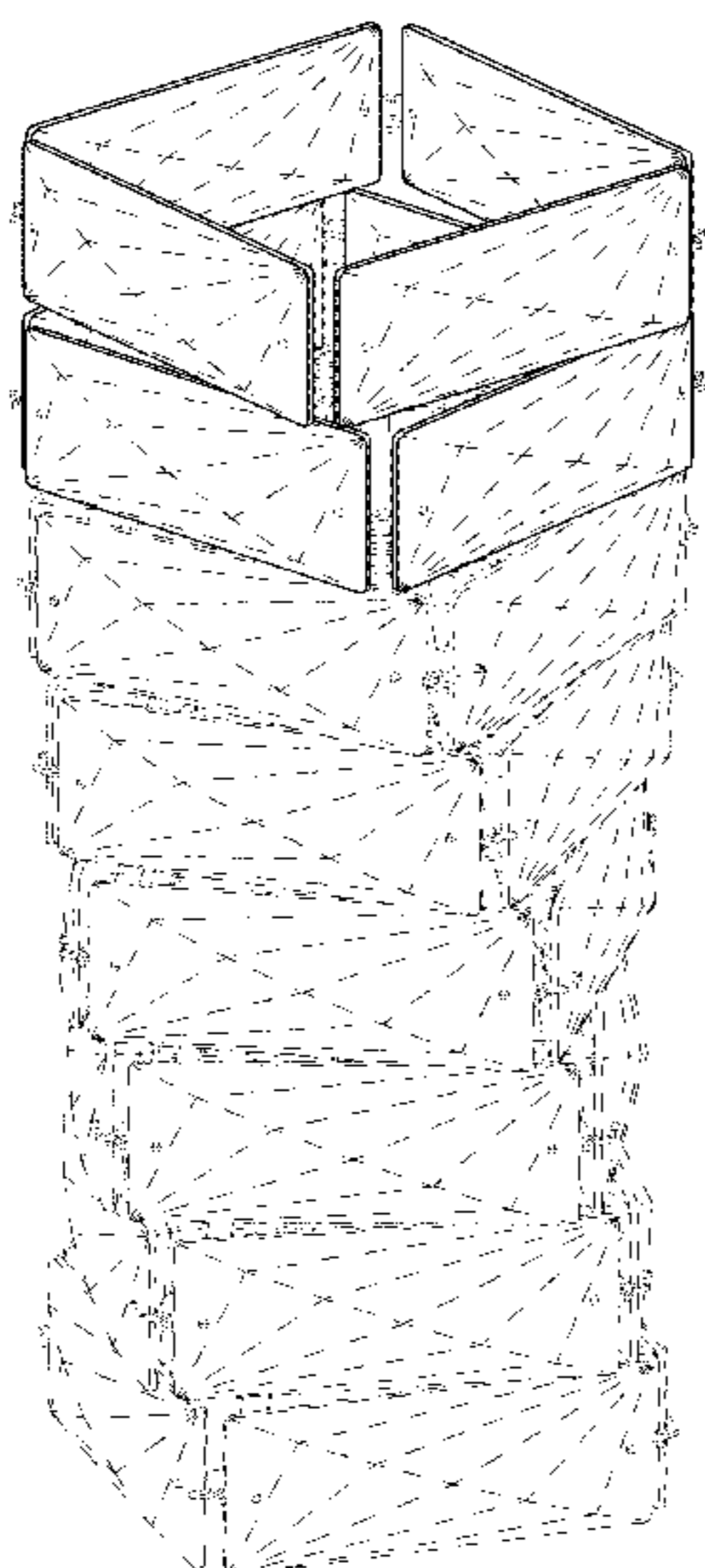
The ornamental design for light fixture, as shown and described.

**DESCRIPTION**

8. Light fixture  
8.1 Perspective  
8.2 Front  
8.3 Back  
8.4 Top  
8.5 Bottom  
8.6 Left  
8.7 Right  
8.8 Enlarged Perspective

The dash-dot-dot-dash lines in FIG. 8.8 represent boundaries of the claimed design. The broken lines in the reproductions depict environment and form no part of the claim. It is understood that the claim boundaries shown in FIG. 8.8 apply to FIGS. 8.1-8.7.

**1 Claim, 8 Drawing Sheets**



(56)

References Cited

U.S. PATENT DOCUMENTS

D351,513 S \* 10/1994 Kreppin ..... B65D 5/5011  
D26/103

5,577,838 A 11/1996 Lucas  
D403,101 S 12/1998 Bayer et al.  
5,921,668 A 7/1999 Bayer  
D454,974 S 3/2002 Yando  
D522,167 S 5/2006 Bayer  
D523,169 S 6/2006 Schuyler et al.  
D523,578 S 6/2006 Schuyler et al.  
D523,579 S 6/2006 Schulyer et al.  
D523,988 S 6/2006 Schuyler et al.  
D558,390 S 12/2007 Myers, Jr. et al.  
D560,019 S 1/2008 Myers, Jr. et al.  
D560,020 S 1/2008 Ly  
D560,027 S 1/2008 Bayer  
D561,928 S \* 2/2008 Silver ..... D26/88  
D568,530 S 5/2008 Ly  
D580,089 S 11/2008 Ly et al.  
D587,837 S 3/2009 Schonbek et al.  
D622,435 S 8/2010 Recore et al.  
D626,683 S 11/2010 Rabideau  
D626,684 S 11/2010 Schuyler et al.  
D634,472 S 3/2011 Forgette et al.  
D636,519 S 4/2011 Rabideau et al.  
D637,755 S 5/2011 Rabideau et al.  
8,425,084 B2 4/2013 Myers et al.  
D684,294 S \* 6/2013 Goodson ..... D26/118  
D700,736 S 3/2014 Schuyler  
D705,482 S 5/2014 Schuyler  
D706,975 S 6/2014 Park  
D707,388 S 6/2014 Park  
8,807,797 B2 8/2014 Myers, Jr. et al.

8,898,959 B2 12/2014 Montefusco et al.  
D731,104 S \* 6/2015 Miyake ..... D26/88  
9,335,451 B2 5/2016 Park  
D762,910 S 8/2016 Park  
D775,396 S 12/2016 Yando  
D789,592 S \* 6/2017 Hastings ..... D26/118  
D791,384 S 7/2017 Park  
D792,001 S 7/2017 Park  
D799,099 S \* 10/2017 Gismondi ..... D26/89  
D825,816 S \* 8/2018 Sonneman ..... D26/88

OTHER PUBLICATIONS

www.swarovski-lighting .com: Glissando. Undated; 4 pages. Found online Jun. 20, 2019 at: <https://www.swarovski-lighting.com/contemporary/glissando.html>.\*

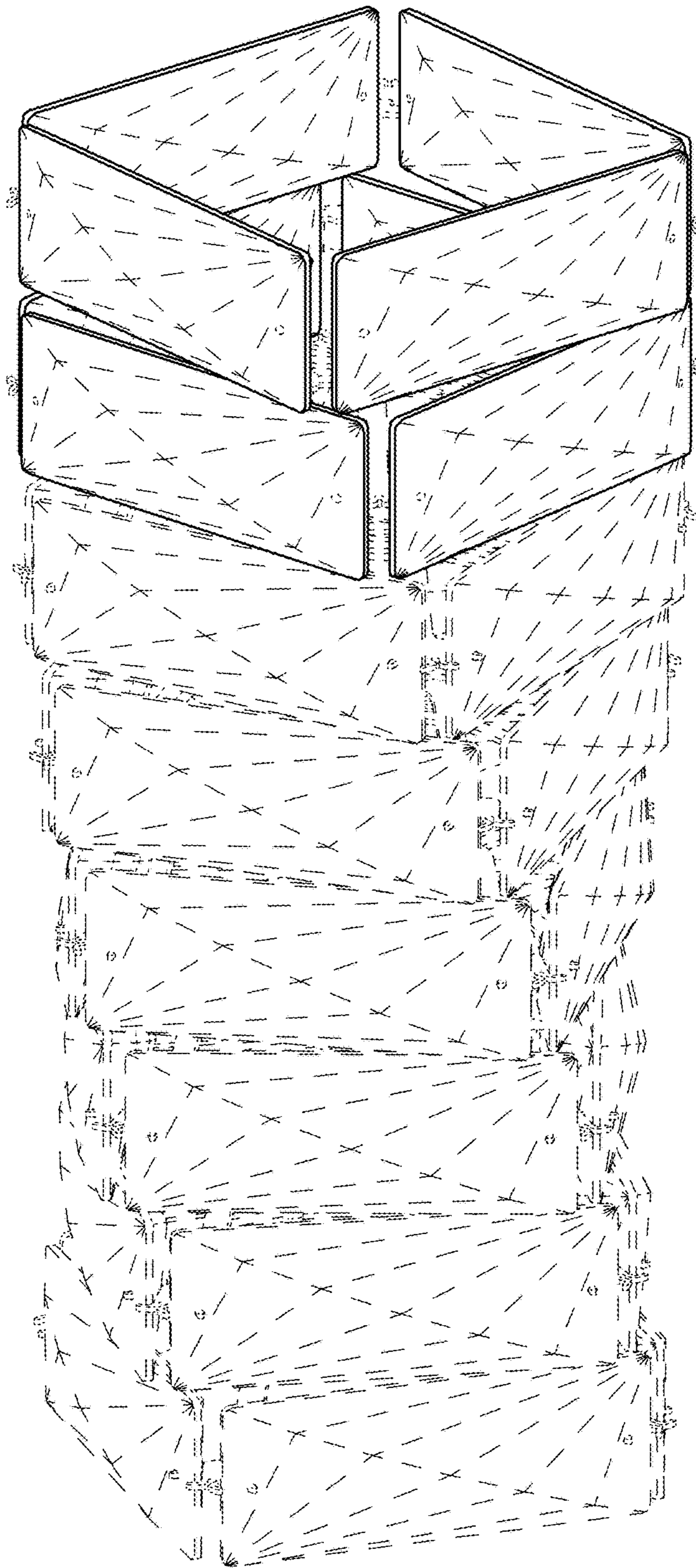
Screenshot from Overstock.com: Handmade Twist Large Floor Lamp. Undated; one page. Found online Jun. 20, 2019 at: [https://www.overstock.com/Lighting-Ceiling-Fans/Floor-Lamps/29901/cat.html?featuredproduct=8368117&featuredoption=11755230&kid=9553000357392&track=pspla&ci\\_src=17588969&ci\\_sku=15674682-000-000&cnc=US&ci](https://www.overstock.com/Lighting-Ceiling-Fans/Floor-Lamps/29901/cat.html?featuredproduct=8368117&featuredoption=11755230&kid=9553000357392&track=pspla&ci_src=17588969&ci_sku=15674682-000-000&cnc=US&ci).\*

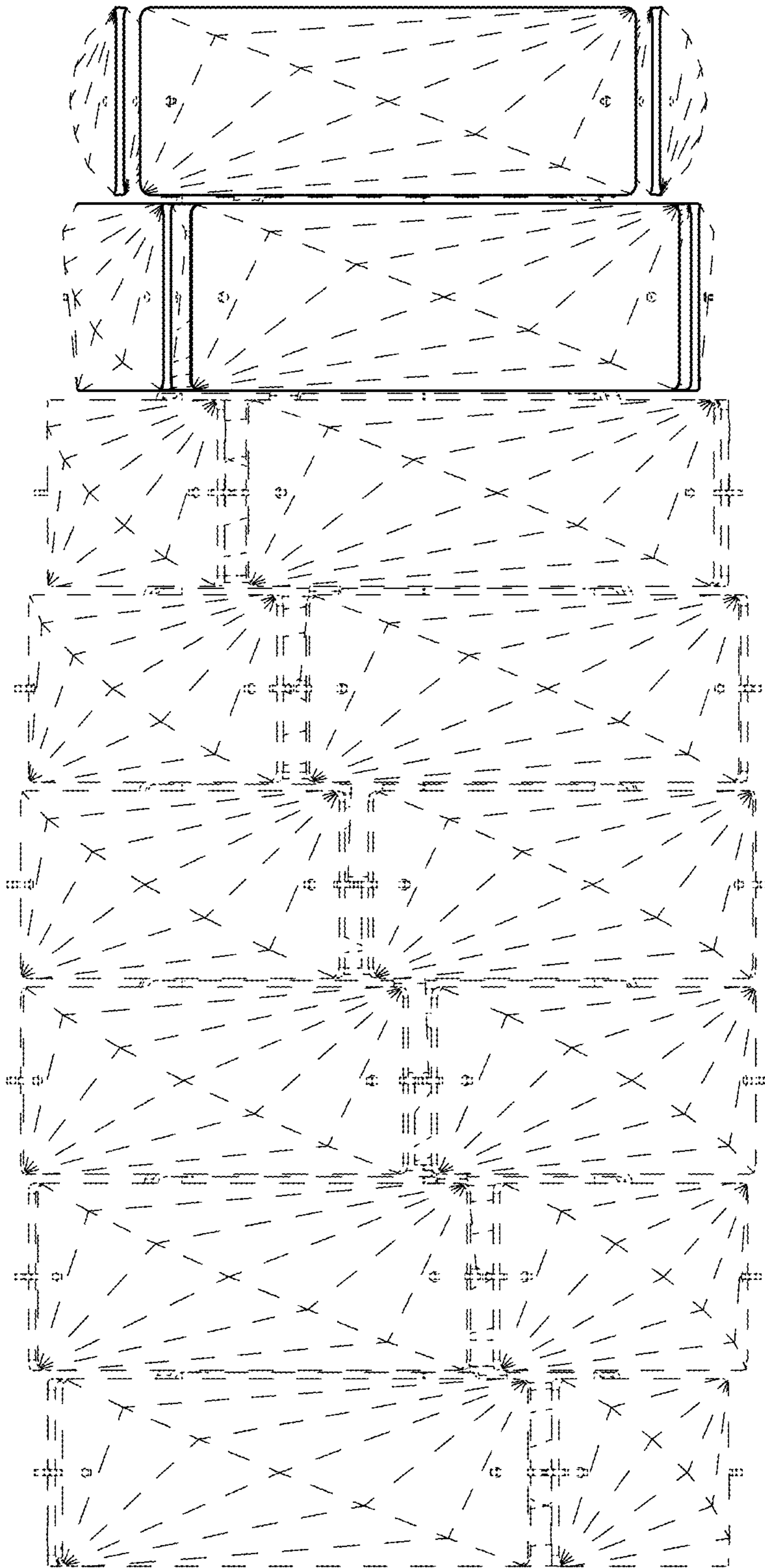
Yando et al., Design U.S. Appl. No. 35/001,473 for Light Fixture filed Dec. 18, 2017 (based on Hague design patent application No. DM/099 884), 63 pages.

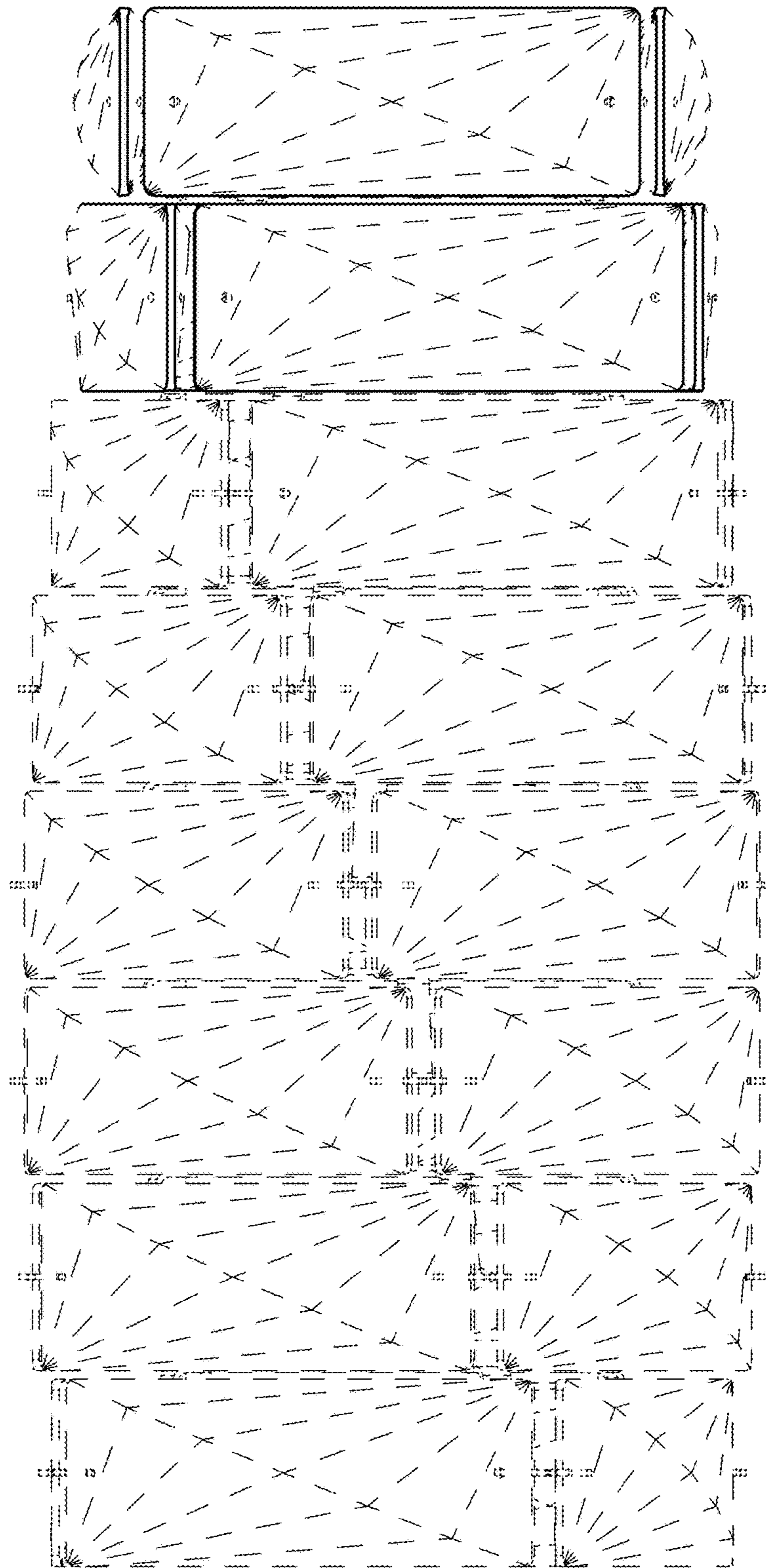
Verve Pendant Lighting Fixture, available from Swarovski-Lighting Ltd., New York, USA, printed from the Internet May 6, 2019, <https://www.swarovski-lighting.com/catalog/product/view/id/66407/s/A9950NR700252/category/34/>, 11 pages, at least as early as 2011.

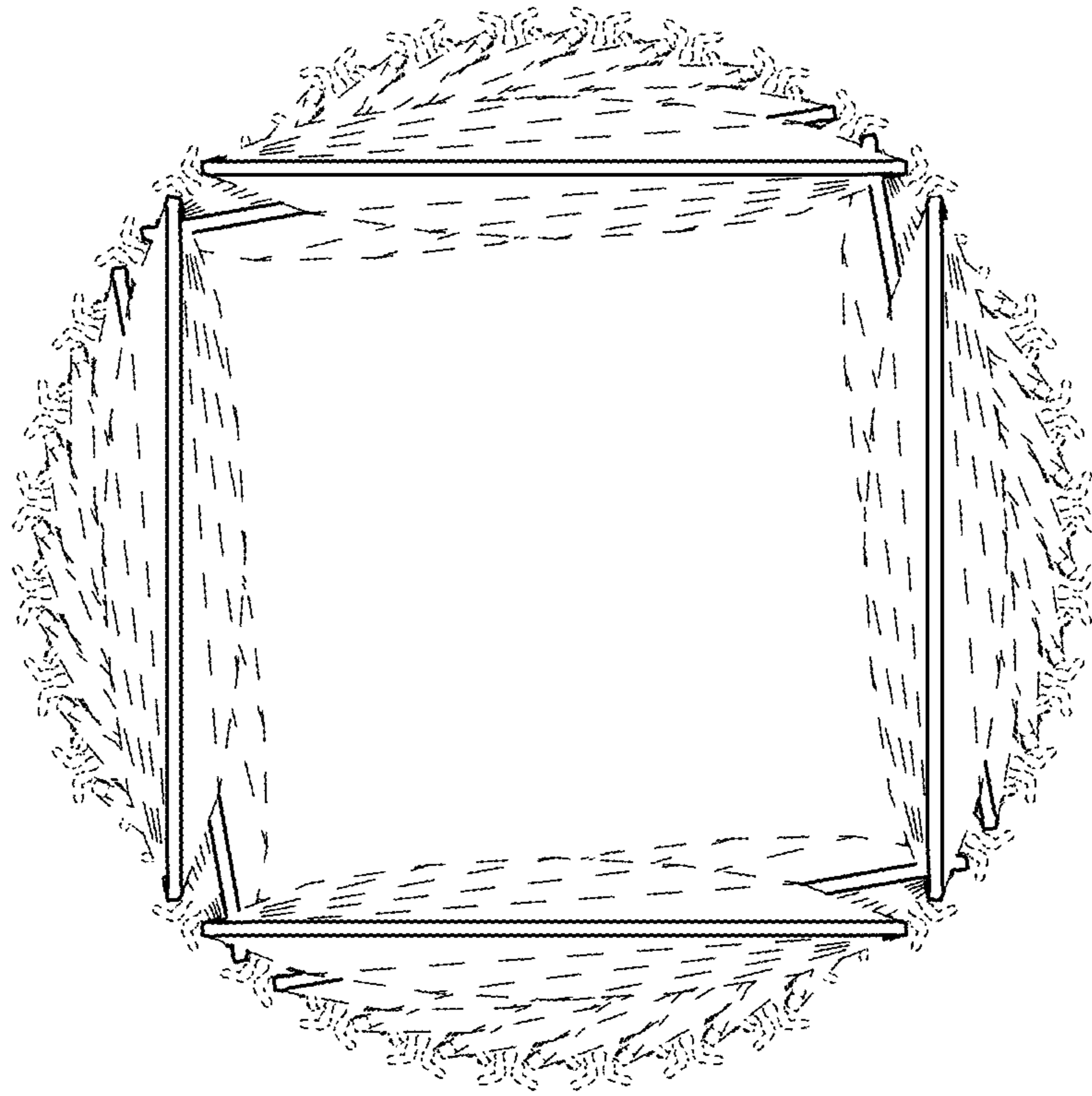
Twisted Skyscrapers Around World, Global Times, printed from the Internet May 6, 2019, <http://www.globaltimes.cn/content/778180.shtml>, 12 pages, Apr. 28, 2013.

\* cited by examiner

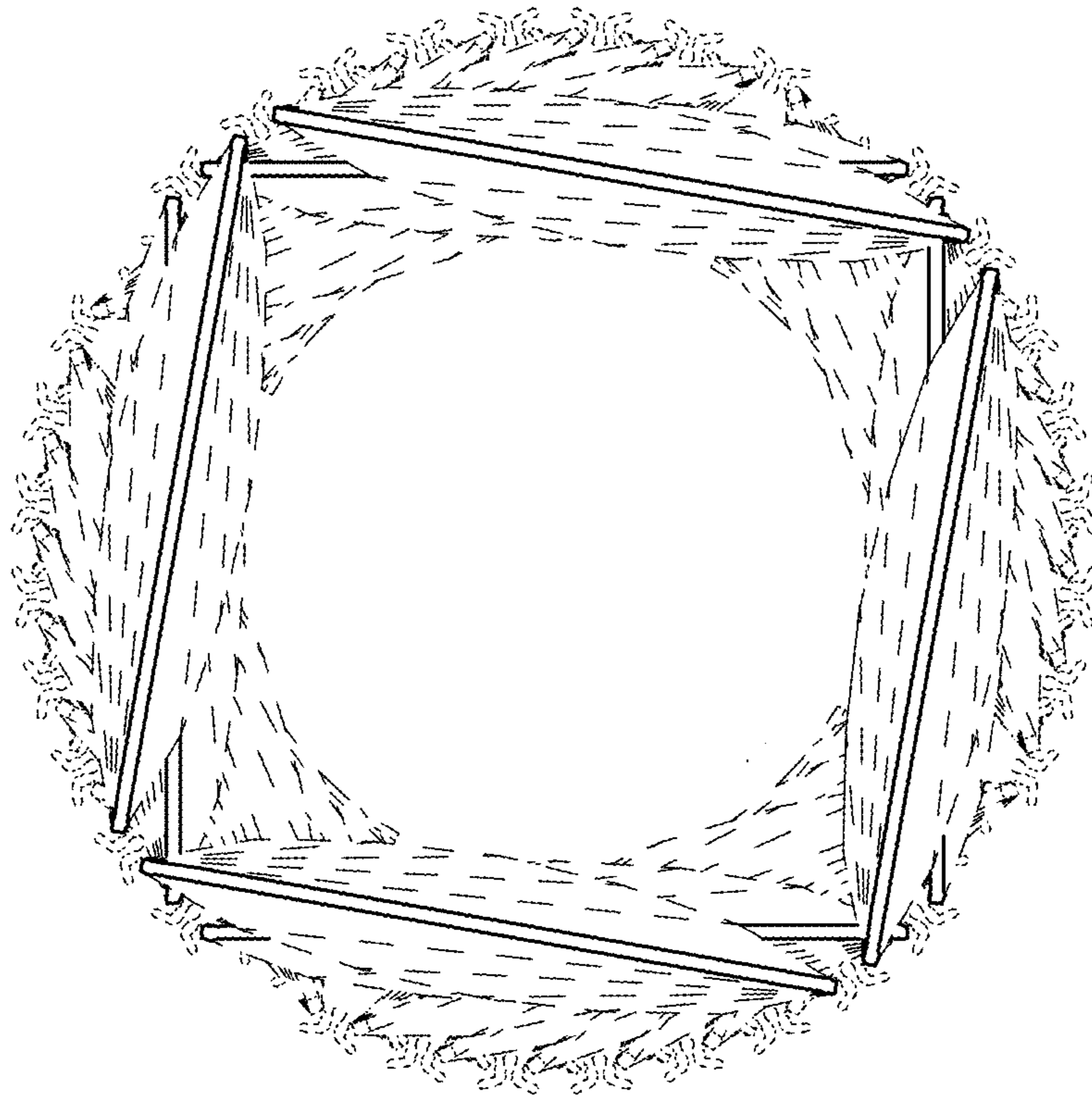




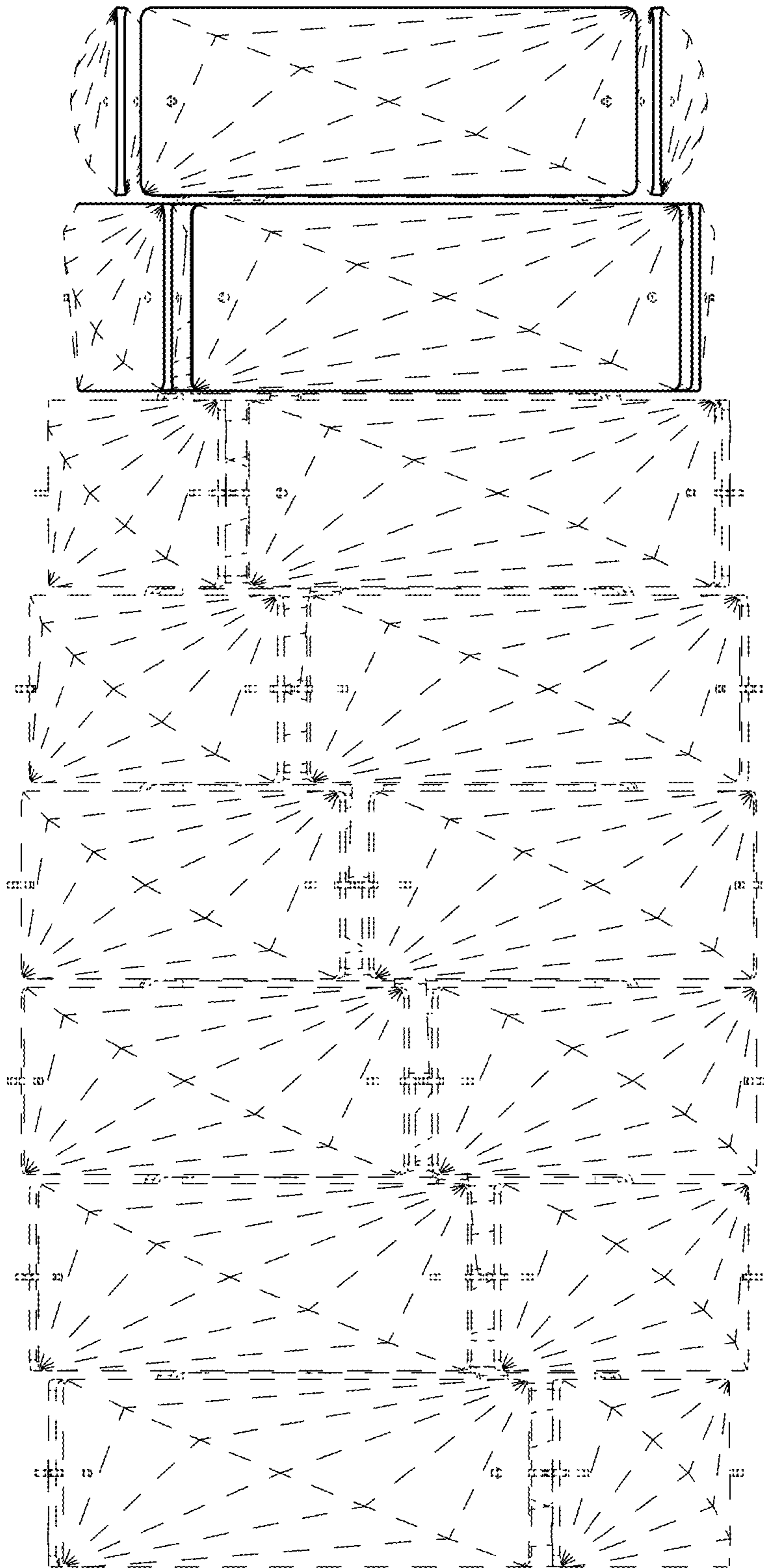




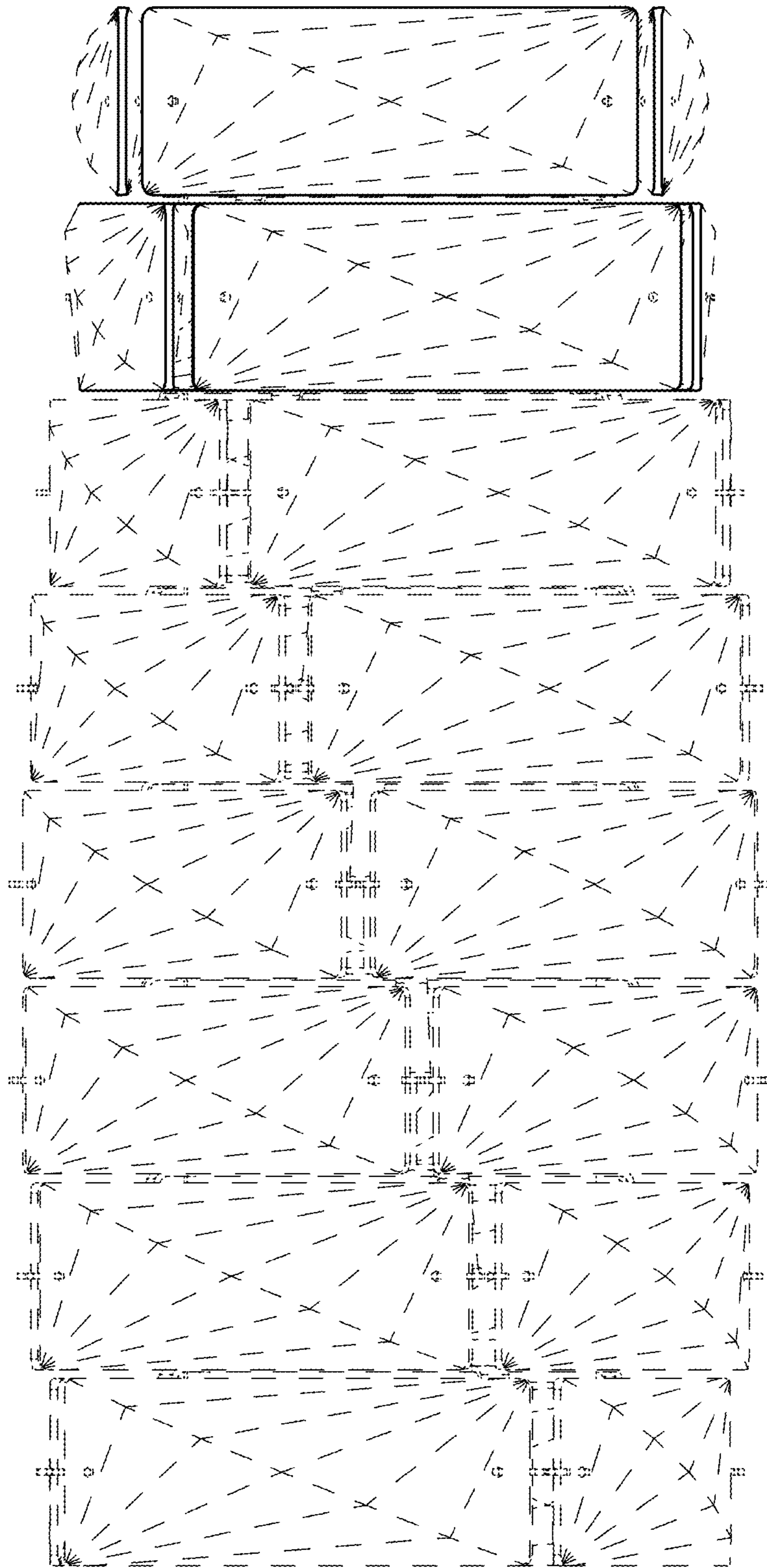
8.4

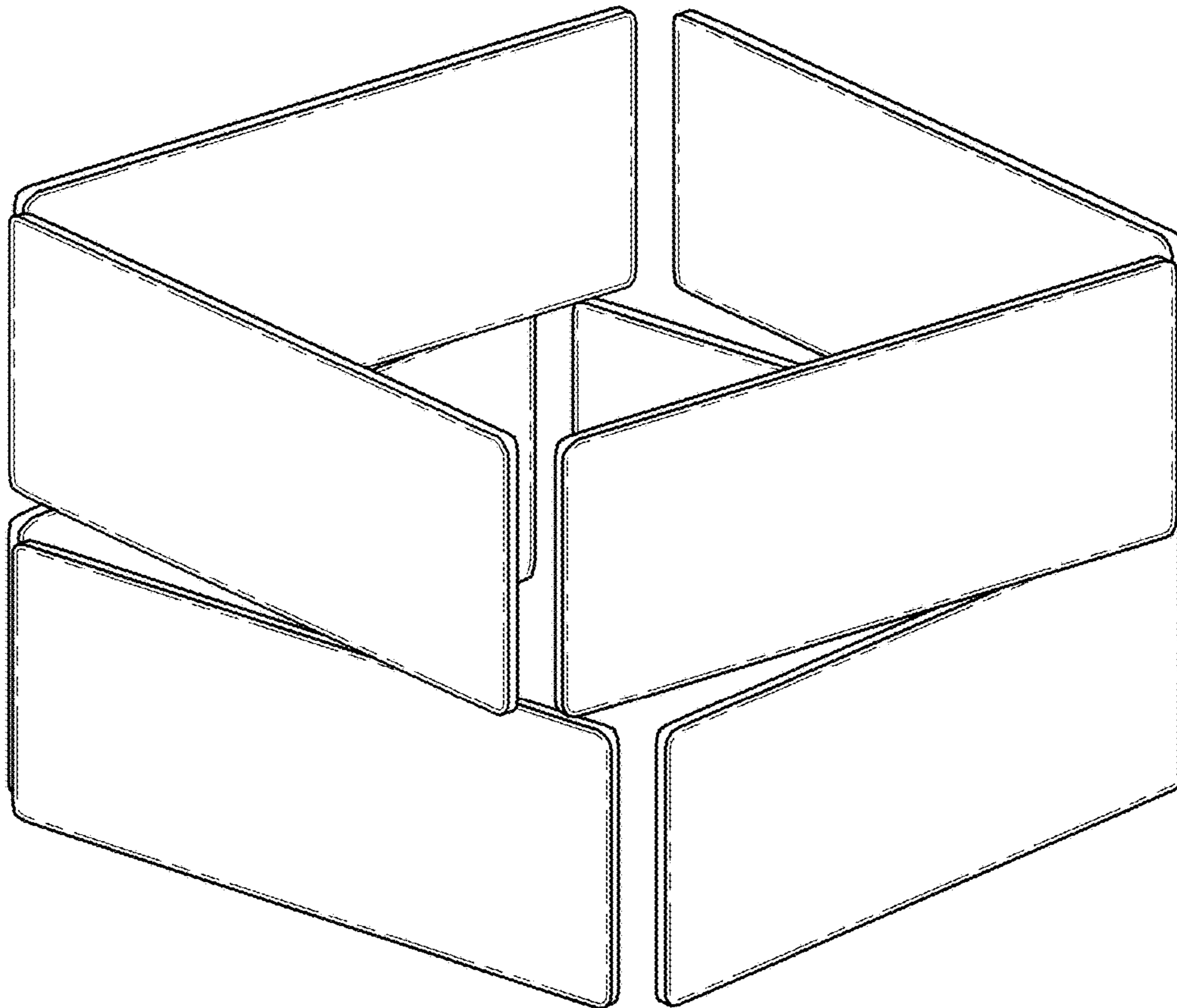


8.5









8.8