



US00D864461S

(12) **United States Design Patent**  
**Pickett**

(10) **Patent No.:** **US D864,461 S**  
(45) **Date of Patent:** **\*\* Oct. 22, 2019**

(54) **LIGHTING FIXTURE**

(71) Applicant: **Hinkley Lighting, Inc.**, Avon Lake, OH (US)

(72) Inventor: **Mark Pickett**, Altadena, CA (US)

(73) Assignee: **HINKLEY LIGHTING, INC.**, Avon Lake, OH (US)

(\*\*) Term: **15 Years**

(21) Appl. No.: **29/668,383**

(22) Filed: **Oct. 30, 2018**

**Related U.S. Application Data**

(62) Division of application No. 29/590,335, filed on Jan. 9, 2017, now Pat. No. Des. 845,533.

(51) **LOC (12) Cl.** ..... **26-03**

(52) **U.S. Cl.**  
USPC ..... **D26/87; D26/143**

(58) **Field of Classification Search**  
USPC ..... **D26/72, 85, 86, 87, 92, 81, 143, 144**  
(Continued)

(56) **References Cited**

**U.S. PATENT DOCUMENTS**

D44,860 S \* 11/1913 Rastetter ..... D26/144  
D69,550 S \* 2/1926 Wellman ..... D26/85  
(Continued)

*Primary Examiner* — Clare E Heflin

(74) *Attorney, Agent, or Firm* — Pearne & Gordon LLP

(57) **CLAIM**

I claim the ornamental design for a lighting fixture, as shown and described.

**DESCRIPTION**

FIGS. 1-8 are drawings of a first embodiment of the lighting fixture.

FIG. 1 is a top perspective view of the fixture, FIG. 2 is a bottom perspective view, FIG. 3 is a left side view, FIG. 4 is a right side view, FIG. 5 is a front view, FIG. 6 is a back view, FIG. 7 is a top view, and FIG. 8 is a bottom view. Except for the armature linking the lampshade to the wall mount the lampshade has front-to-rear mirror-image symmetry.

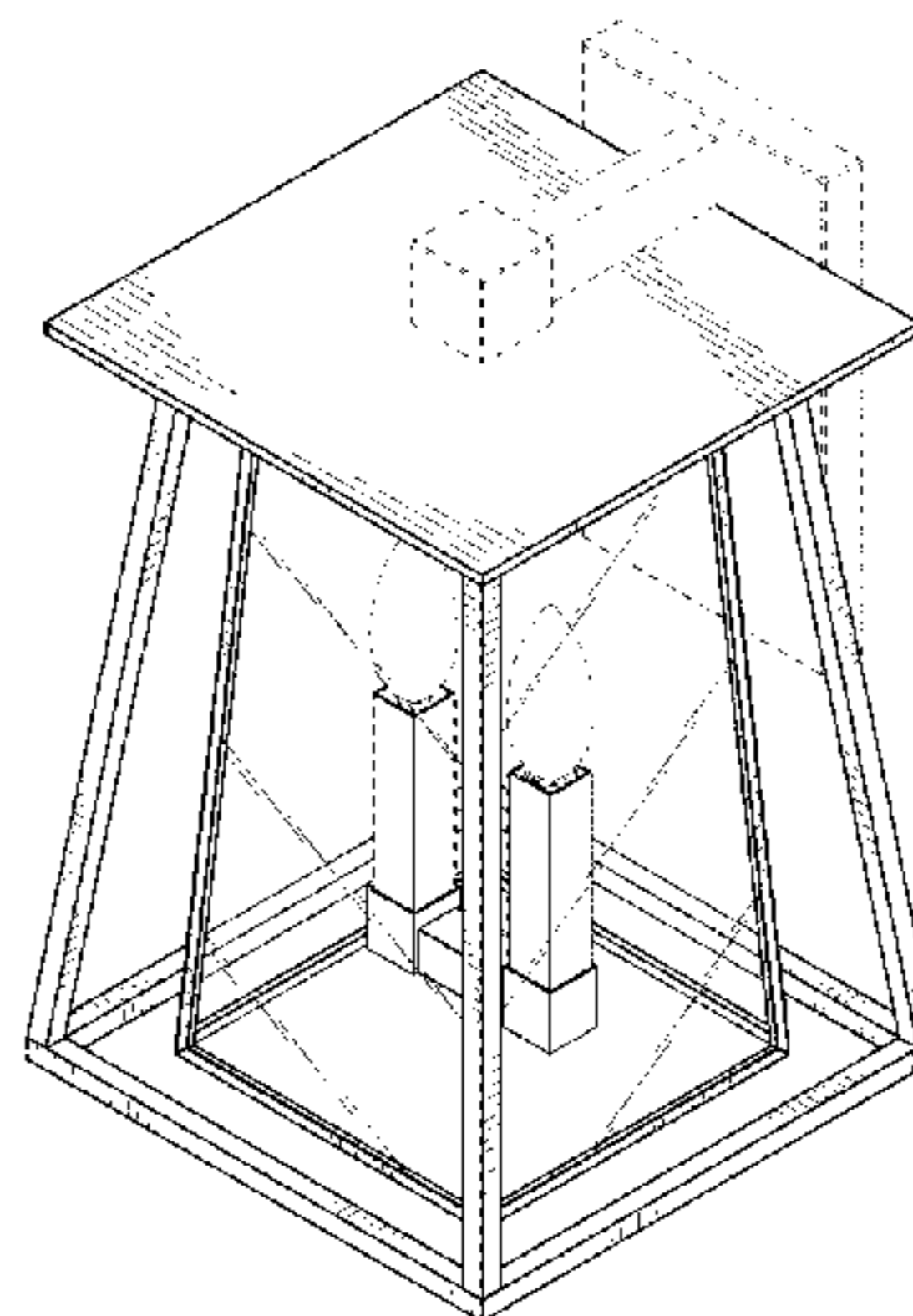
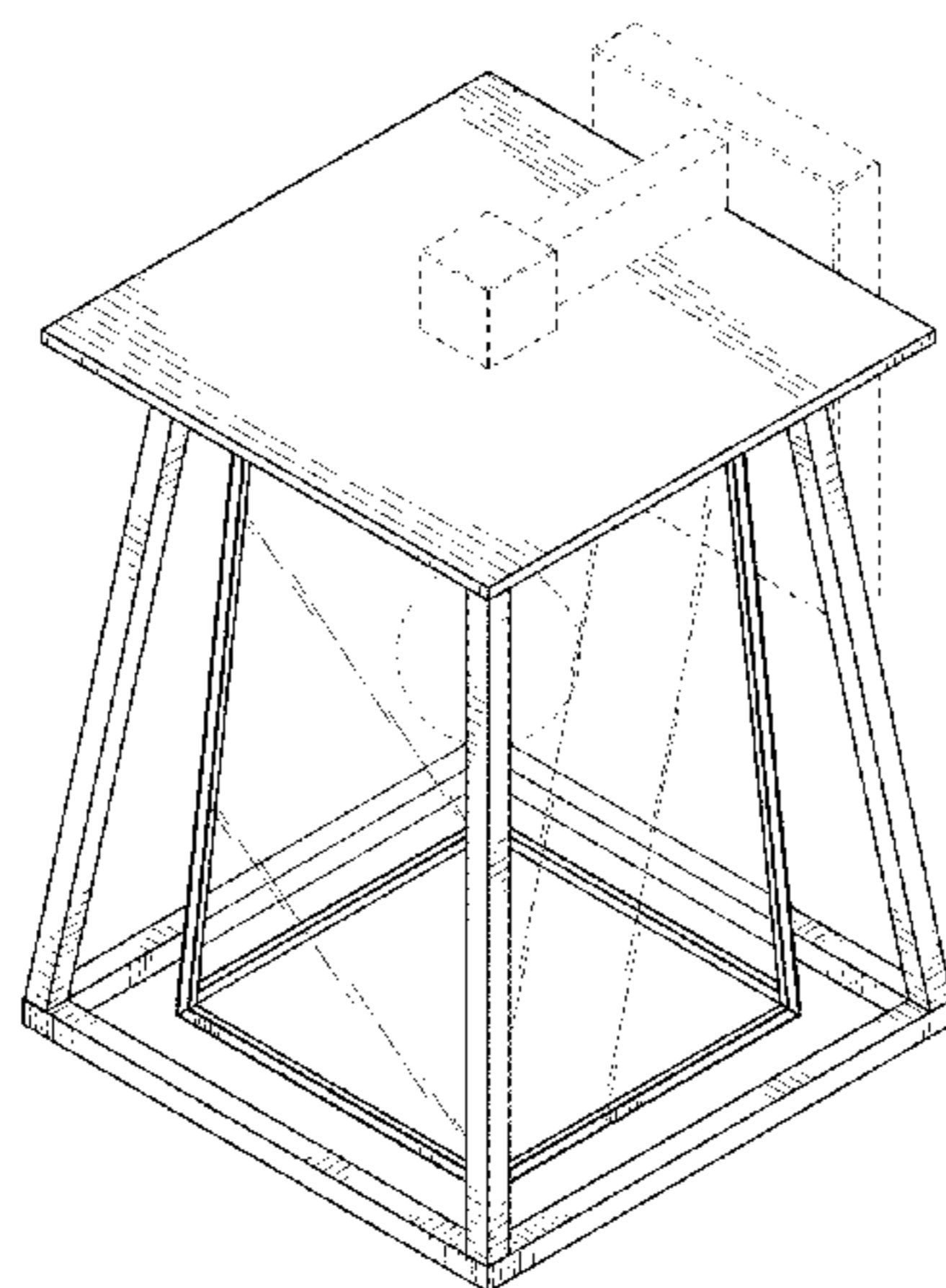
FIGS. 9-16 are drawings of a second embodiment of the lighting fixture.

FIG. 9 is a top perspective view of the fixture, FIG. 10 is a bottom perspective view, FIG. 11 is a left side view, FIG. 12 is a right side view, FIG. 13 is a front view, FIG. 14 is a back view, FIG. 15 is a top view, and FIG. 16 is a bottom view. Except for the mounting plate and the armature securing the rest of the fixture to the mounting plate, the fixture has front-to-rear mirror-image symmetry. FIGS. 17-24 are drawings of a third embodiment of the lighting fixture.

FIG. 17 is a top perspective view of the fixture, FIG. 18 is a bottom perspective view, FIG. 19 is a left side view, FIG. 20 is a right side view, FIG. 21 is a front view, FIG. 22 is a back view, FIG. 23 is a top view and FIG. 24 is a bottom view. Except for the mounting plate and the armature securing the rest of the fixture to the mounting plate, the fixture has front-to-rear mirror-image symmetry. FIGS. 25-32 are drawings of a fourth embodiment of the lighting fixture.

FIG. 25 is a top perspective view of the fixture, FIG. 26 is a bottom perspective view, FIG. 27 is a left side view, FIG. 28 is a right side view, FIG. 29 is a front view, FIG. 30 is a back view, FIG. 31 is a top view; and, FIG. 32 is a bottom view.

(Continued)



The central candle armature with candles and support arms has three-way (120°) rotational symmetry. Except for the central candle armature, the mounting plate and the armature securing the rest of the fixture to the mounting plate, the fixture has front-to-rear mirror-image symmetry.

**1 Claim, 16 Drawing Sheets**

(58) **Field of Classification Search**

CPC .... F21S 8/03; F21S 8/033; F21S 8/036; F21S 8/037; F21S 9/037; F21V 1/04

See application file for complete search history.

(56) **References Cited**

U.S. PATENT DOCUMENTS

D252,350	S *	7/1979	Glassman .....	D26/80
D517,715	S *	3/2006	Liu .....	D26/67
D574,534	S *	8/2008	Lastimosa .....	D26/67
D603,083	S *	10/2009	Trumble .....	D26/90
D713,590	S *	9/2014	Orozco .....	D26/85
D760,420	S *	6/2016	Tomlinson .....	D26/81
D782,098	S *	3/2017	Orozco .....	D26/85
D785,223	S *	4/2017	Patton .....	D26/67
D830,610	S *	10/2018	Amato .....	D26/87
D831,876	S *	10/2018	Moon .....	D26/87
2009/0213581	A1 *	8/2009	Gauger .....	F21S 8/065 362/161
2015/0116998	A1 *	4/2015	Feit .....	F21V 29/70 362/235

\* cited by examiner

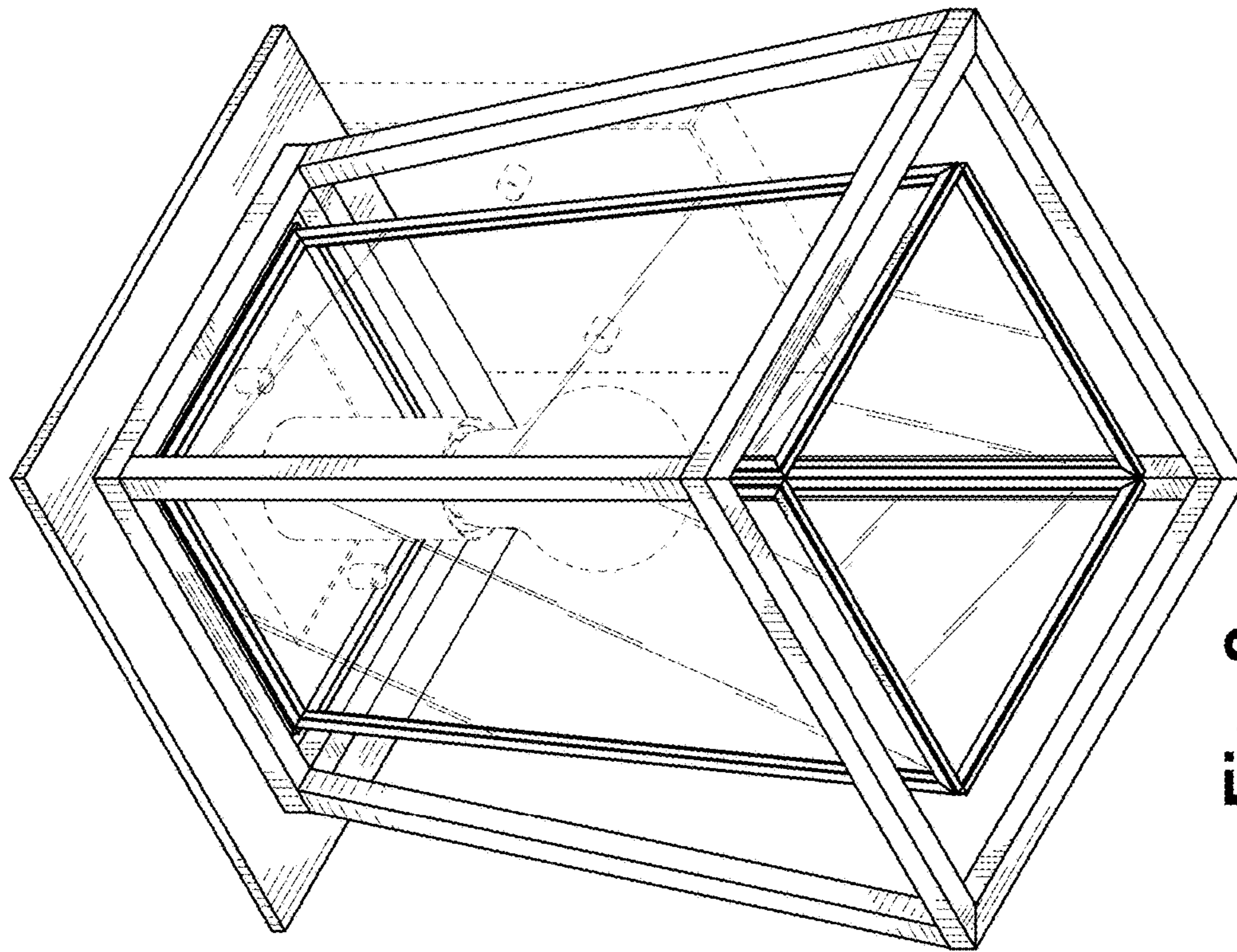


Fig. 2

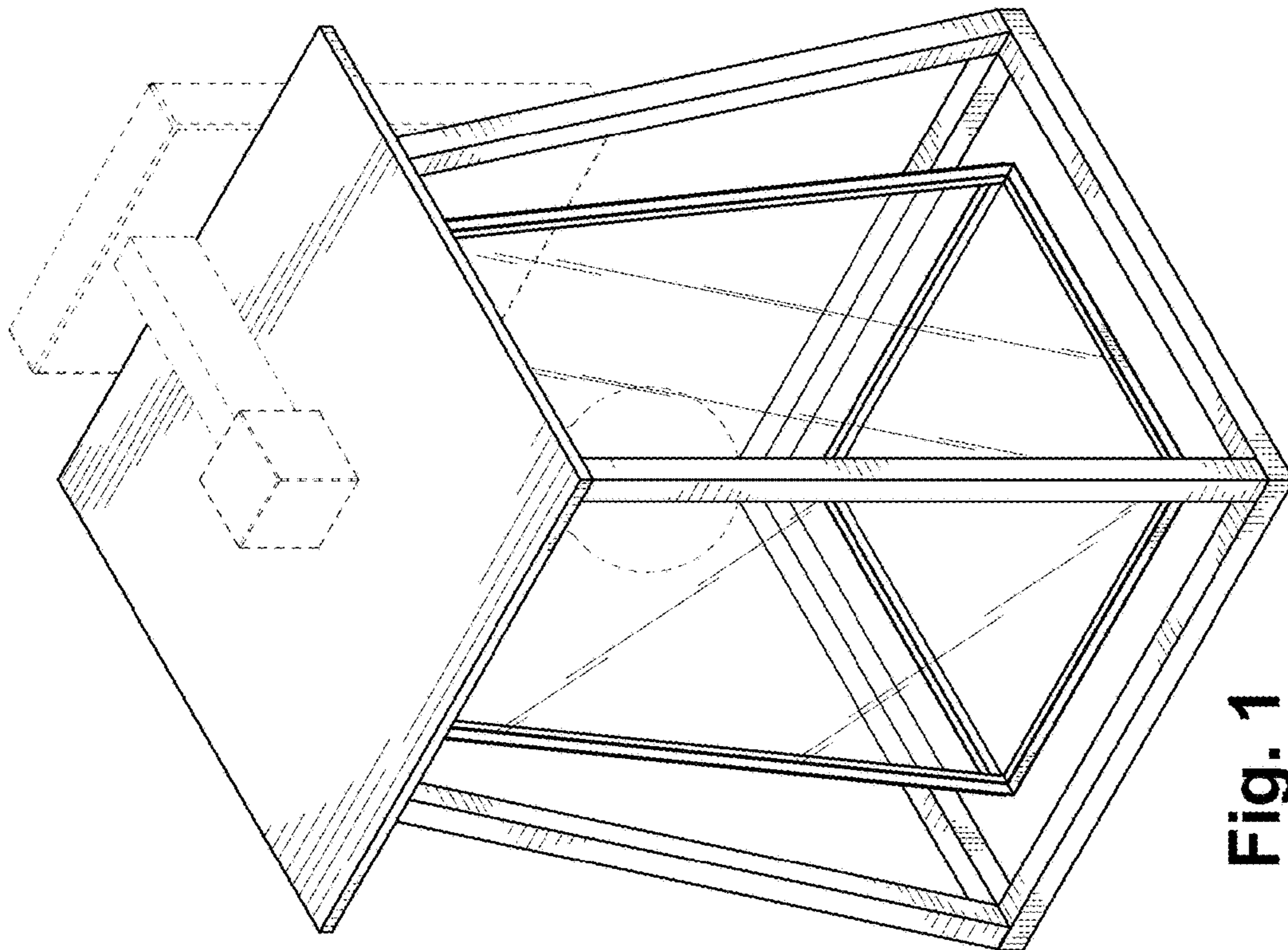


Fig. 1

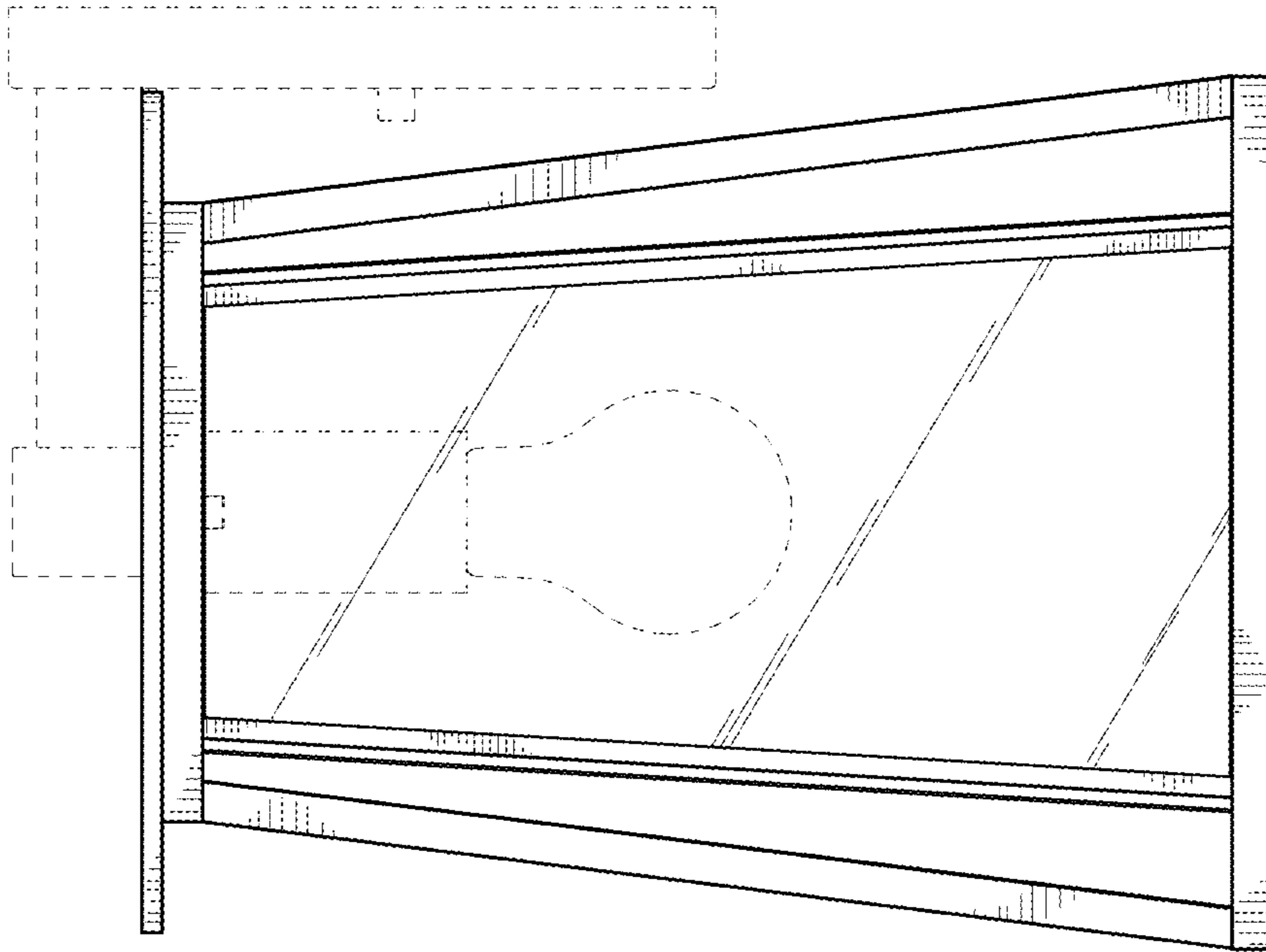


Fig. 4

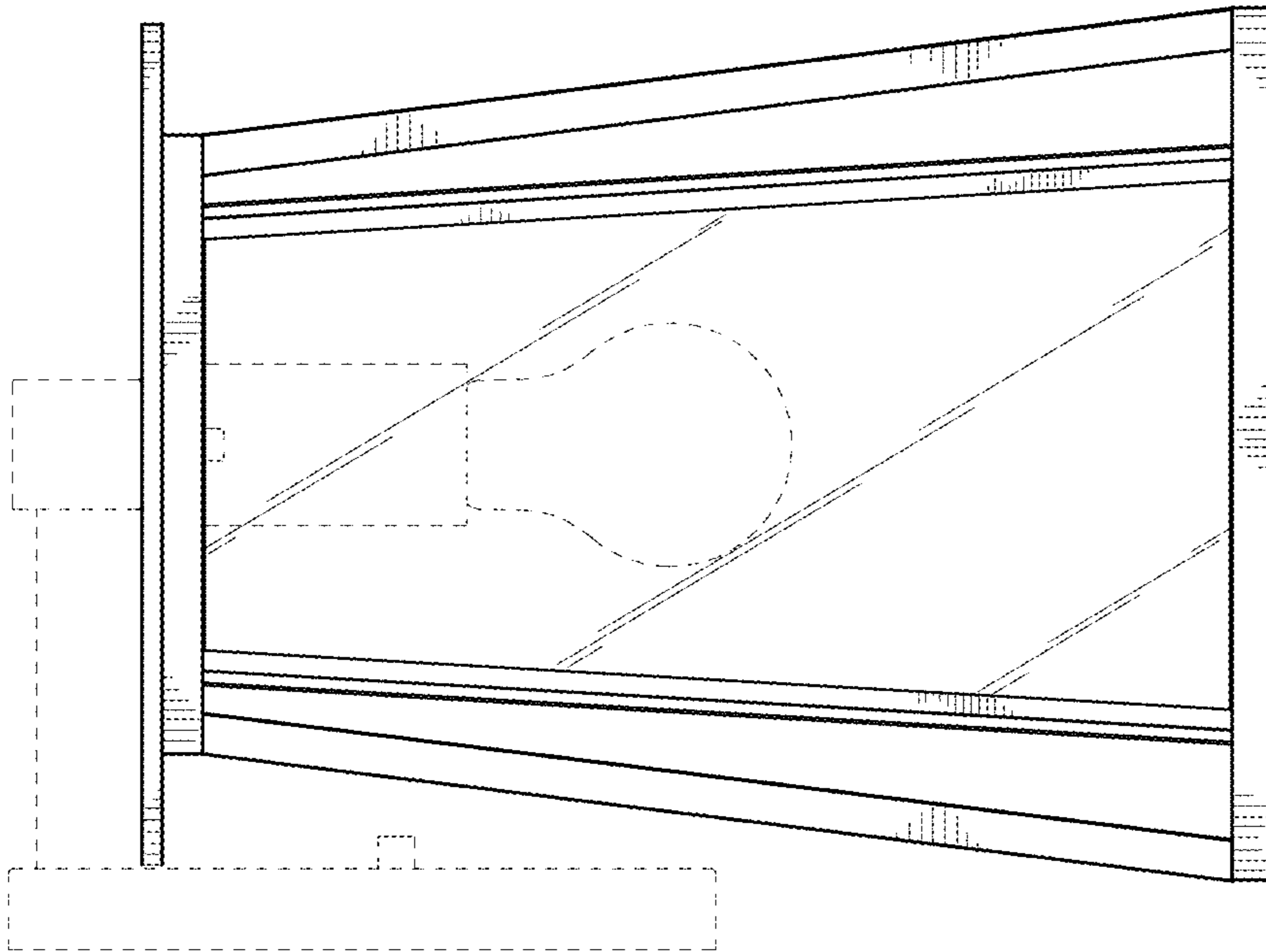


Fig. 3

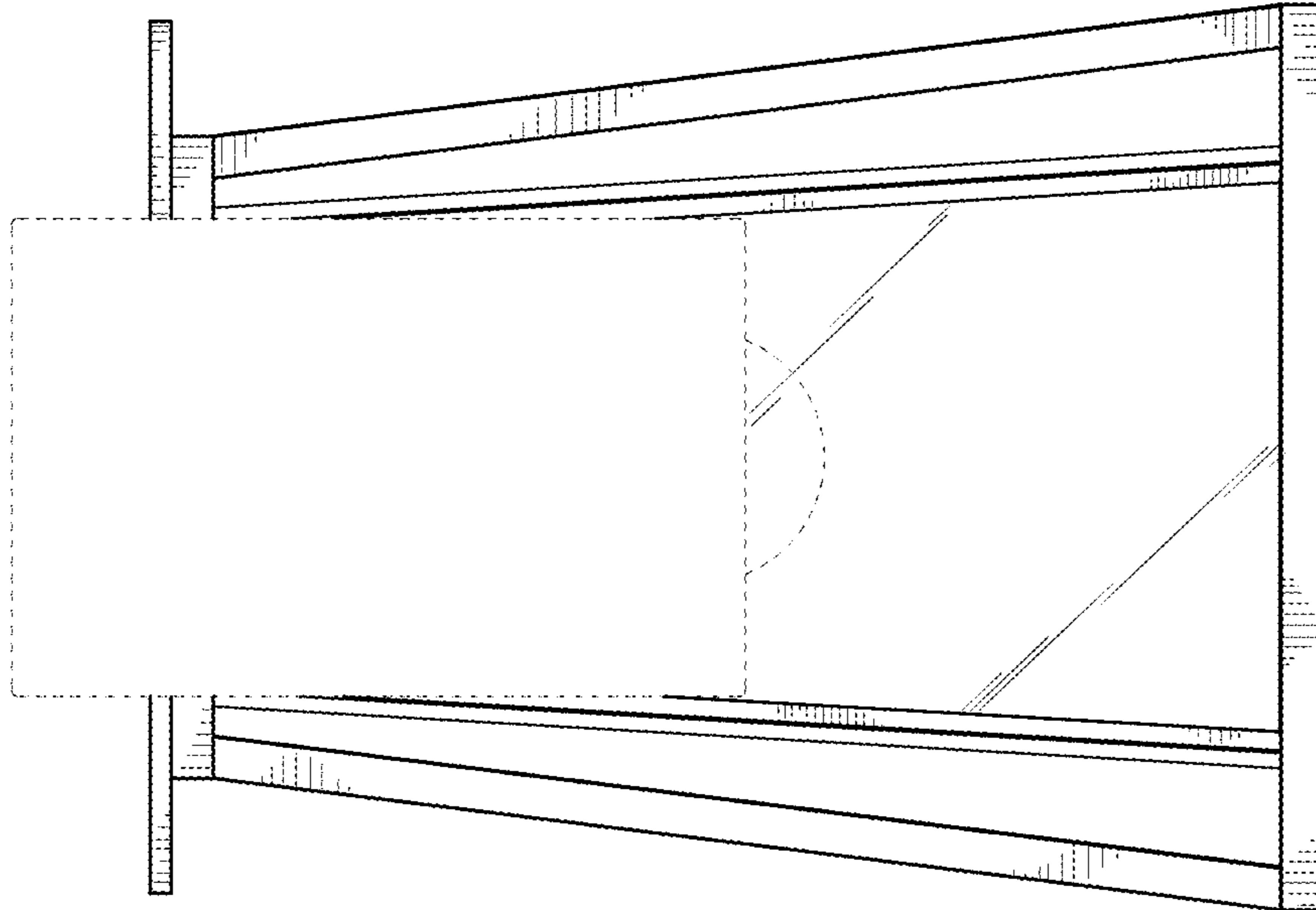


Fig. 6

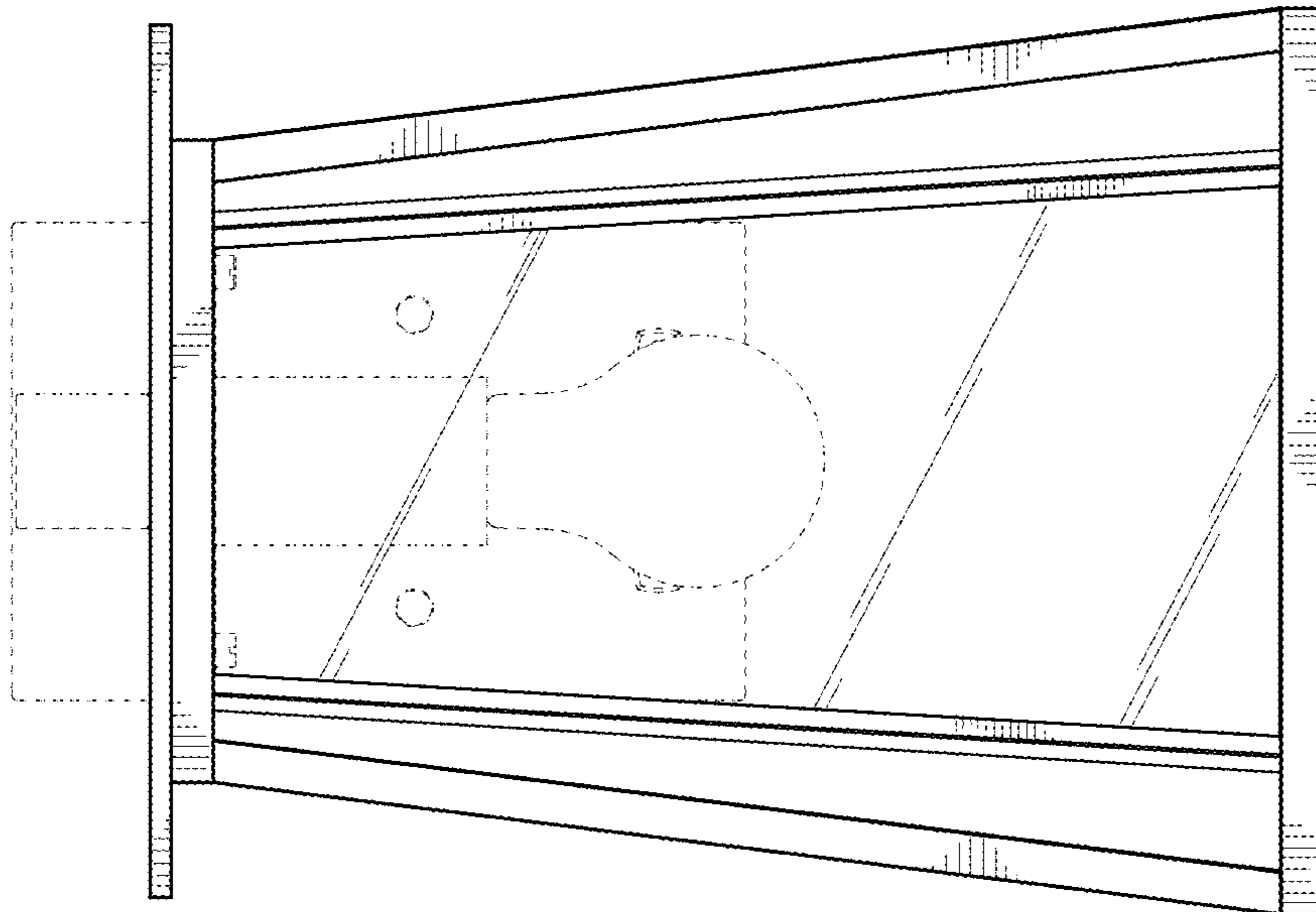


Fig. 5

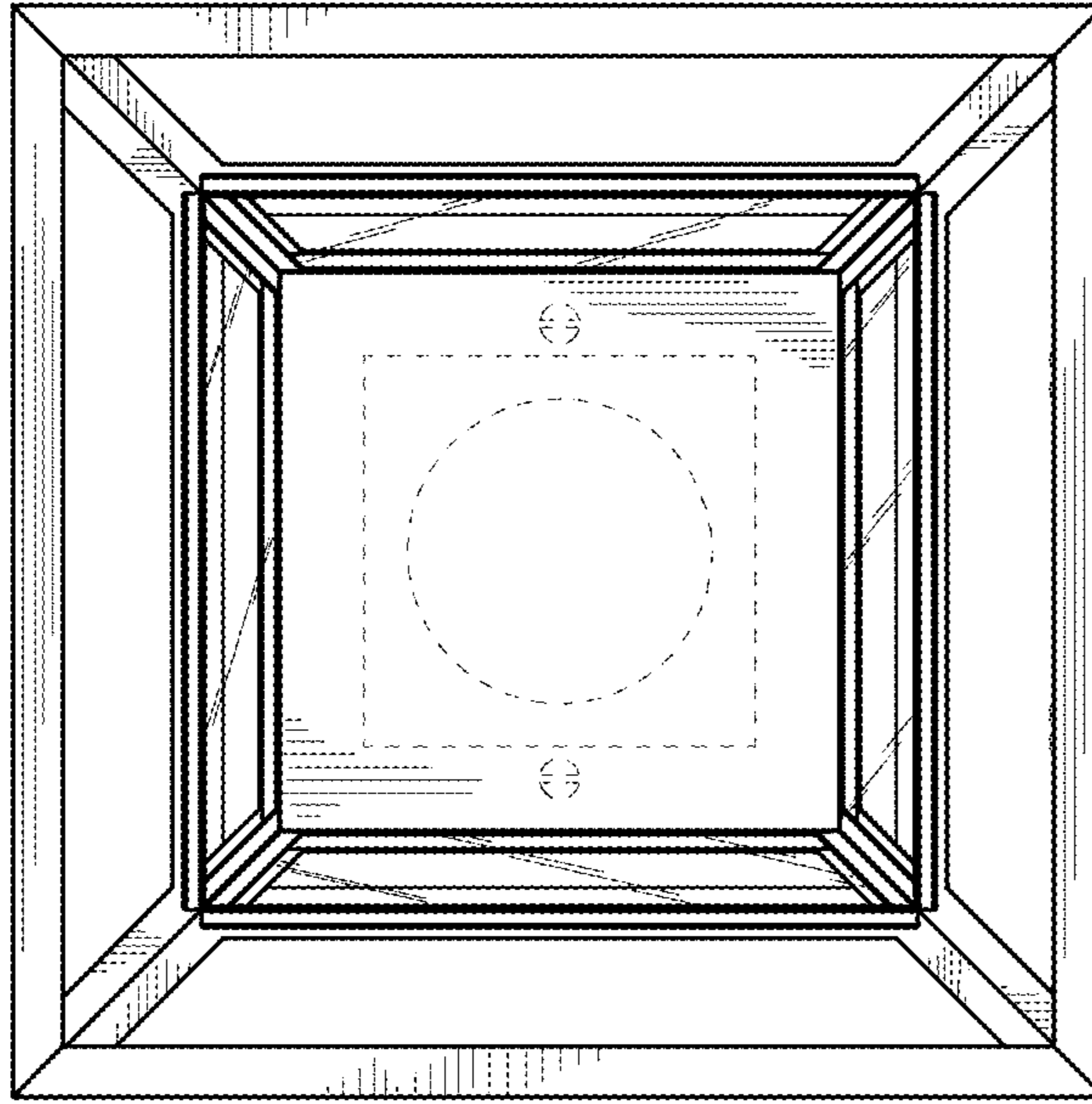


Fig. 8

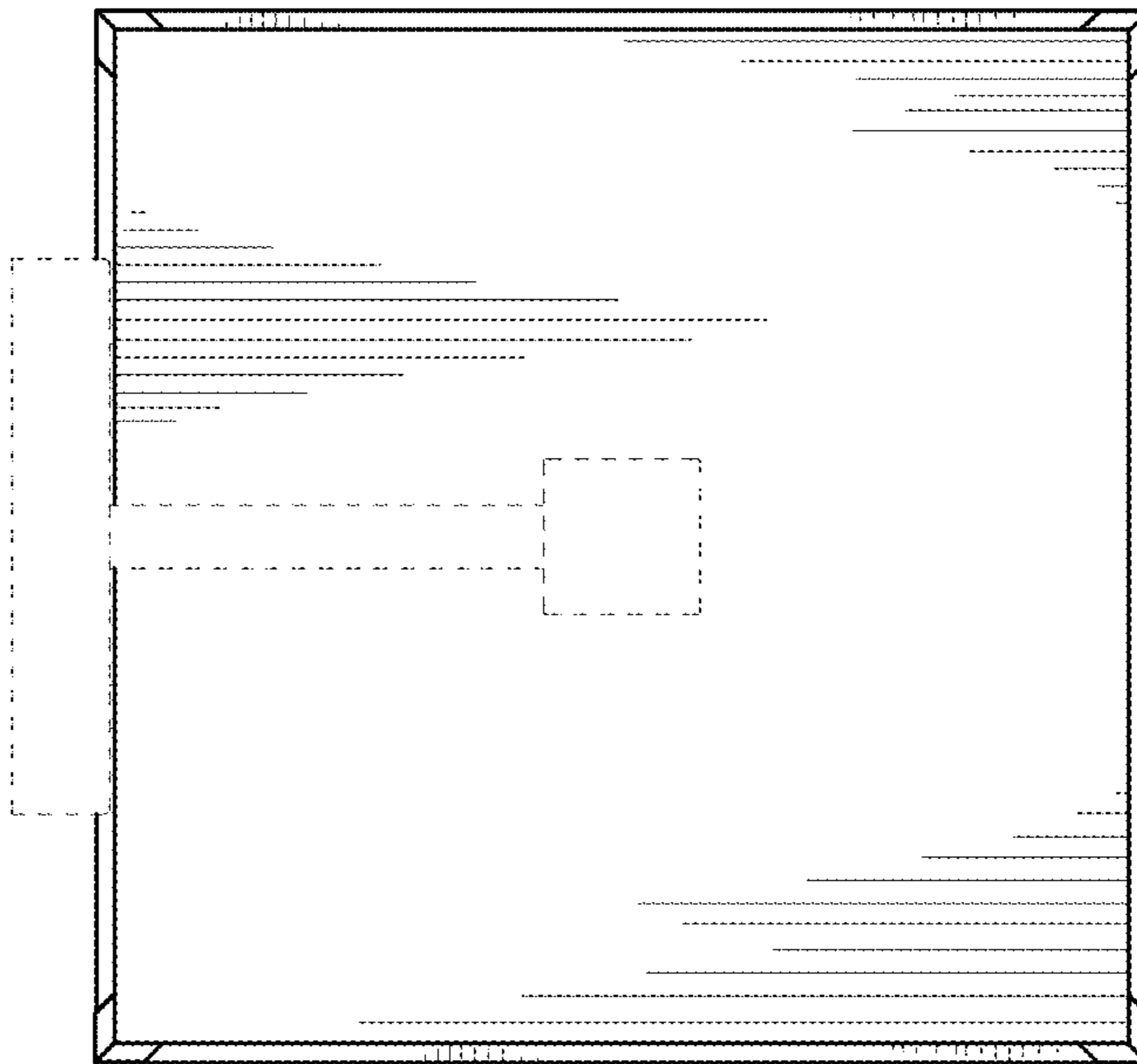


Fig. 7

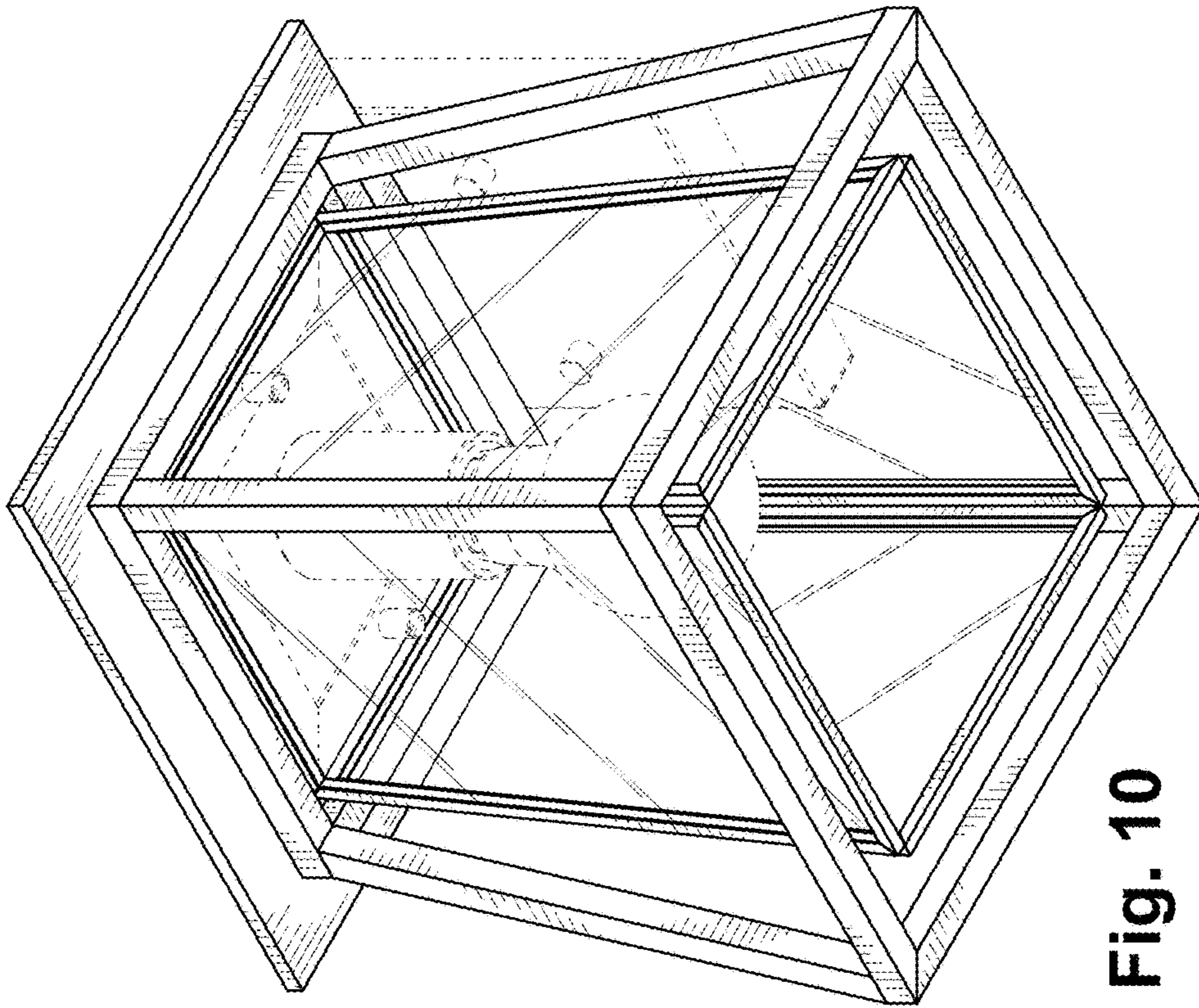


Fig. 10

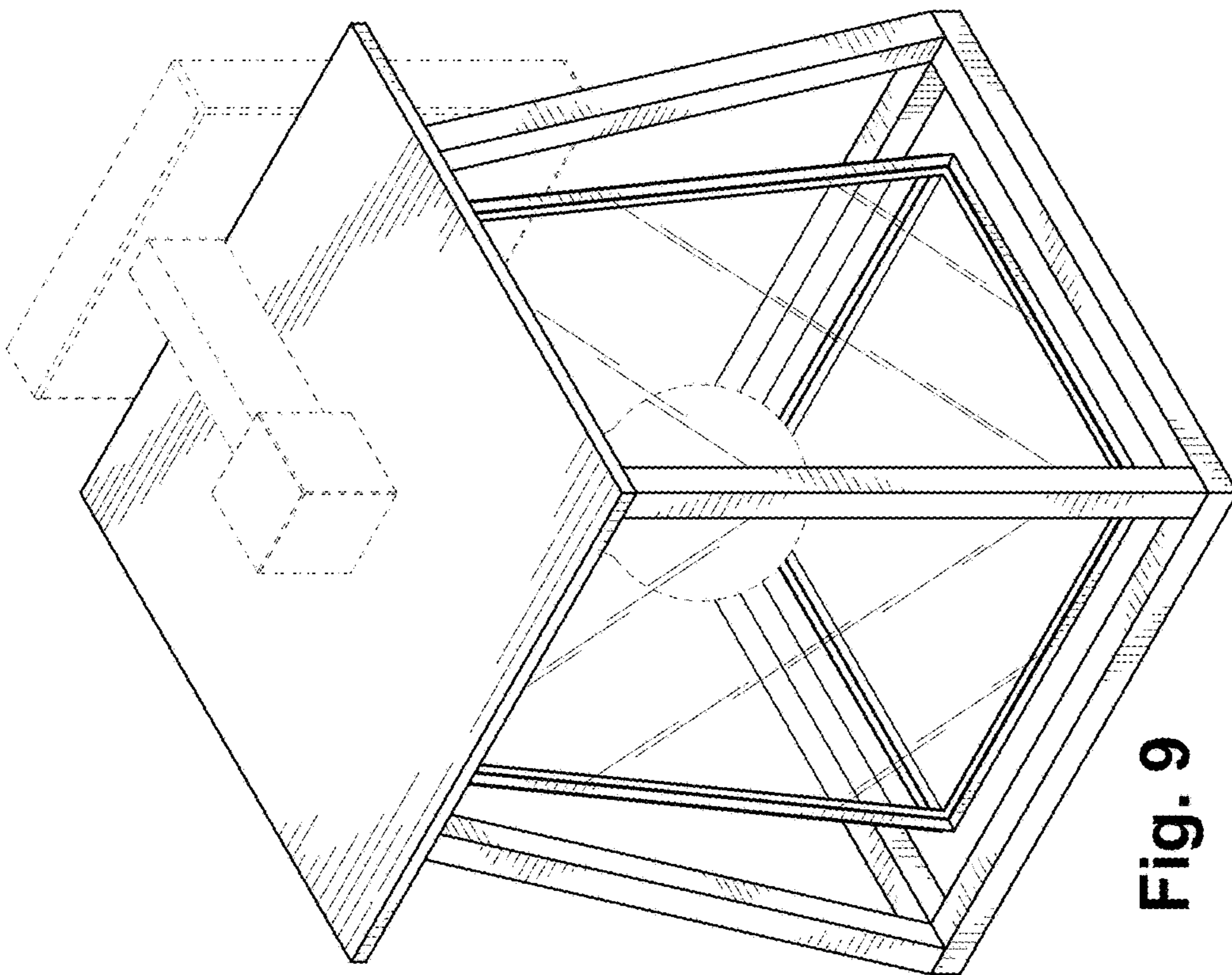


Fig. 9

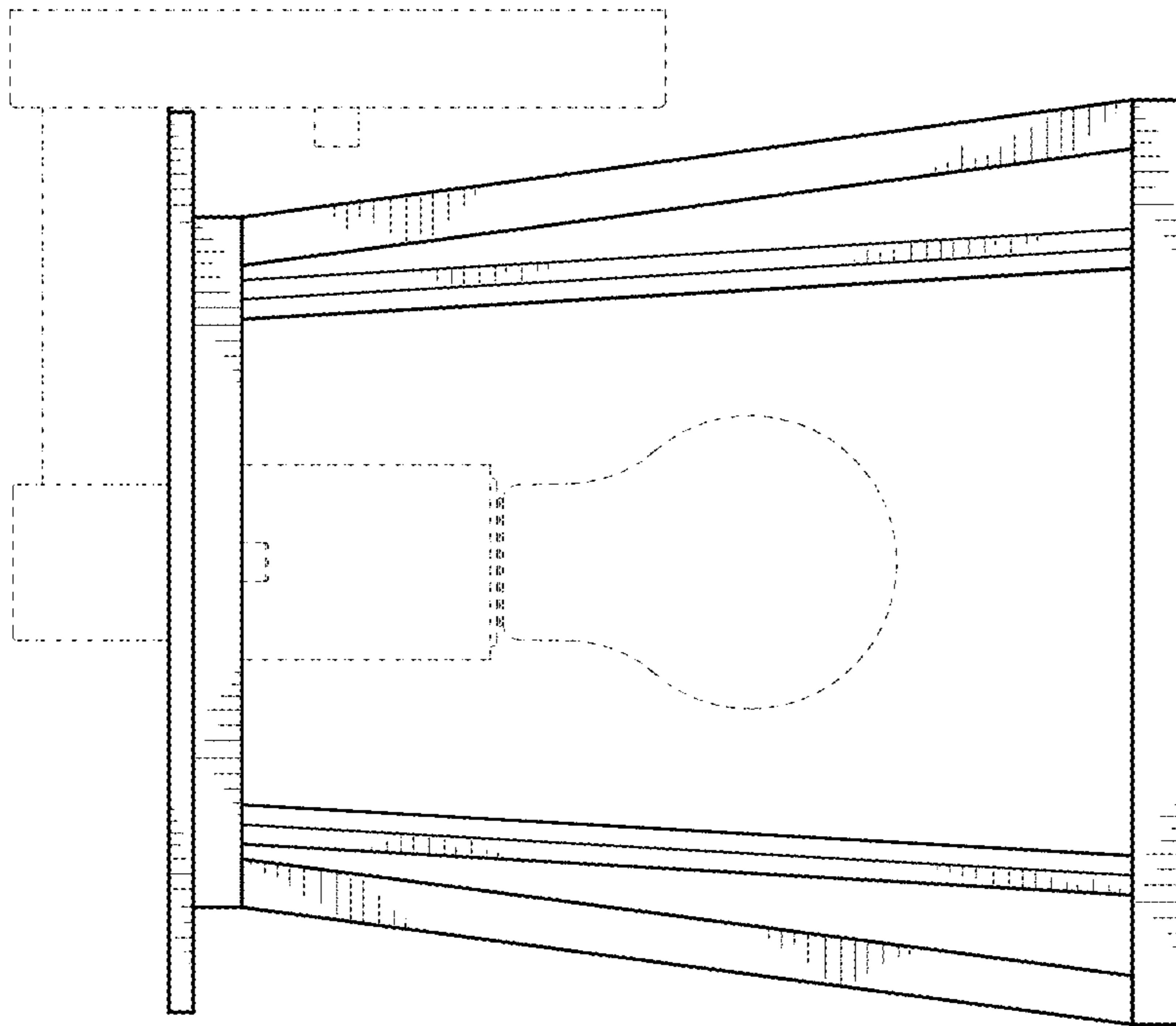


Fig. 12

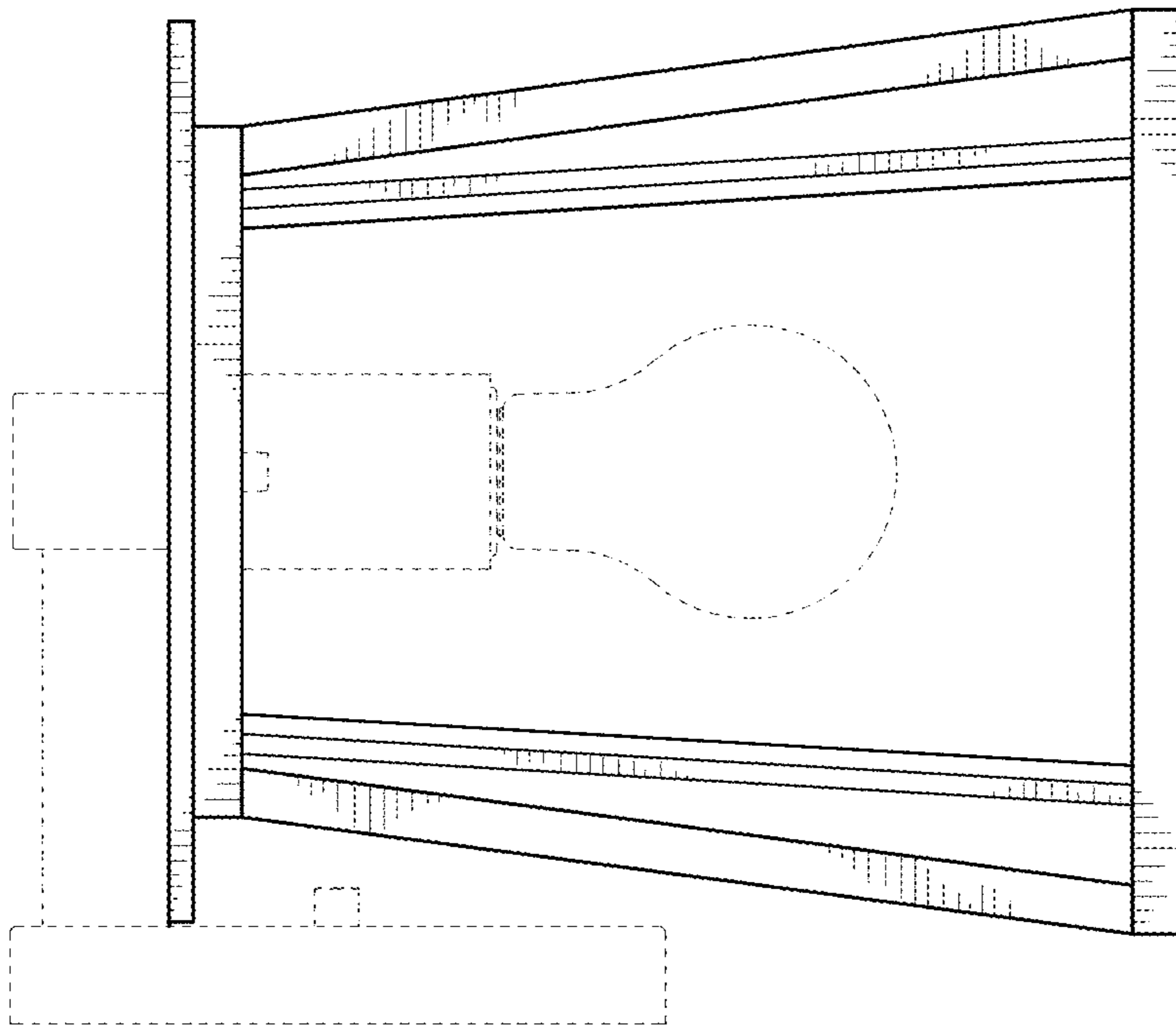


Fig. 11



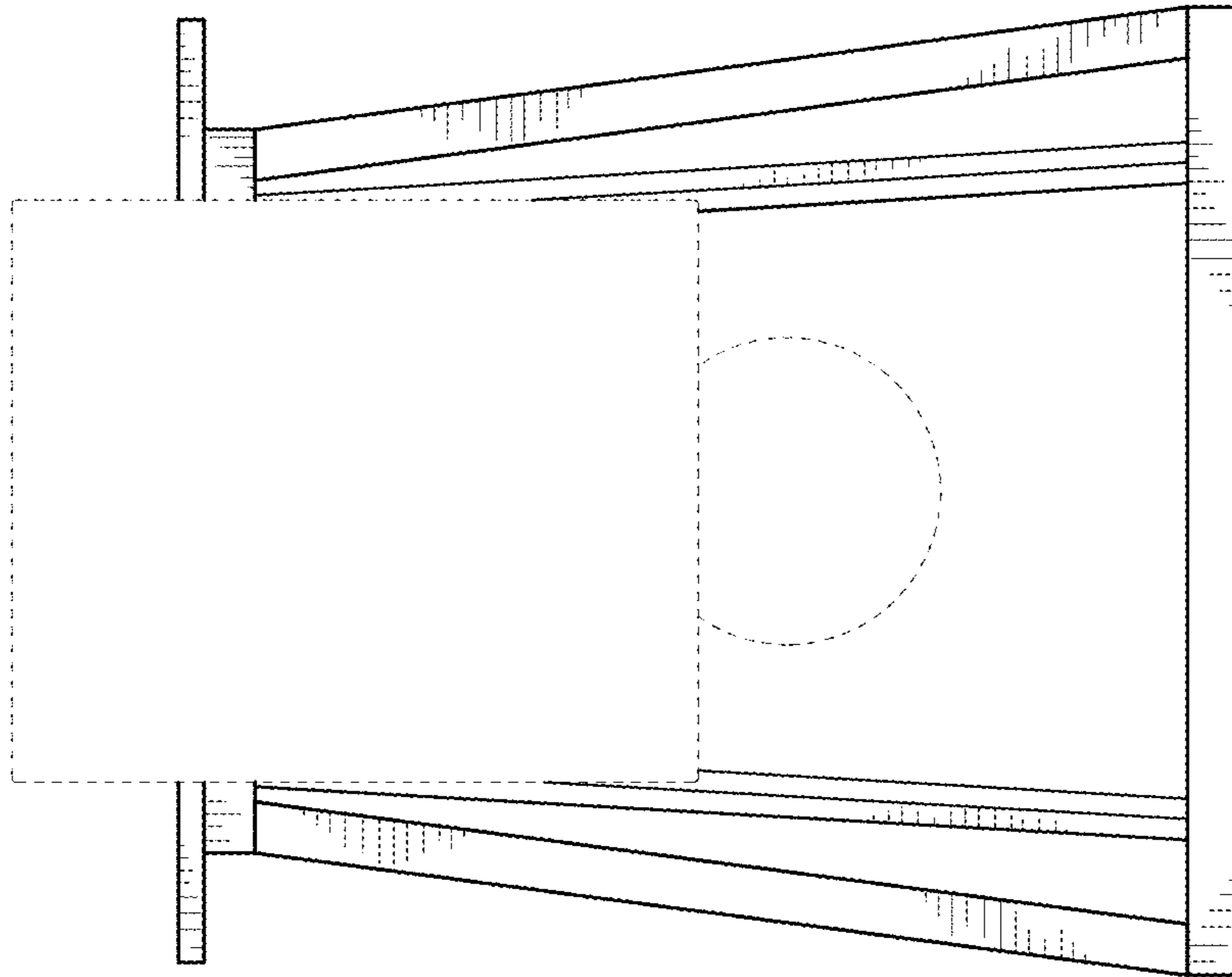


Fig. 14

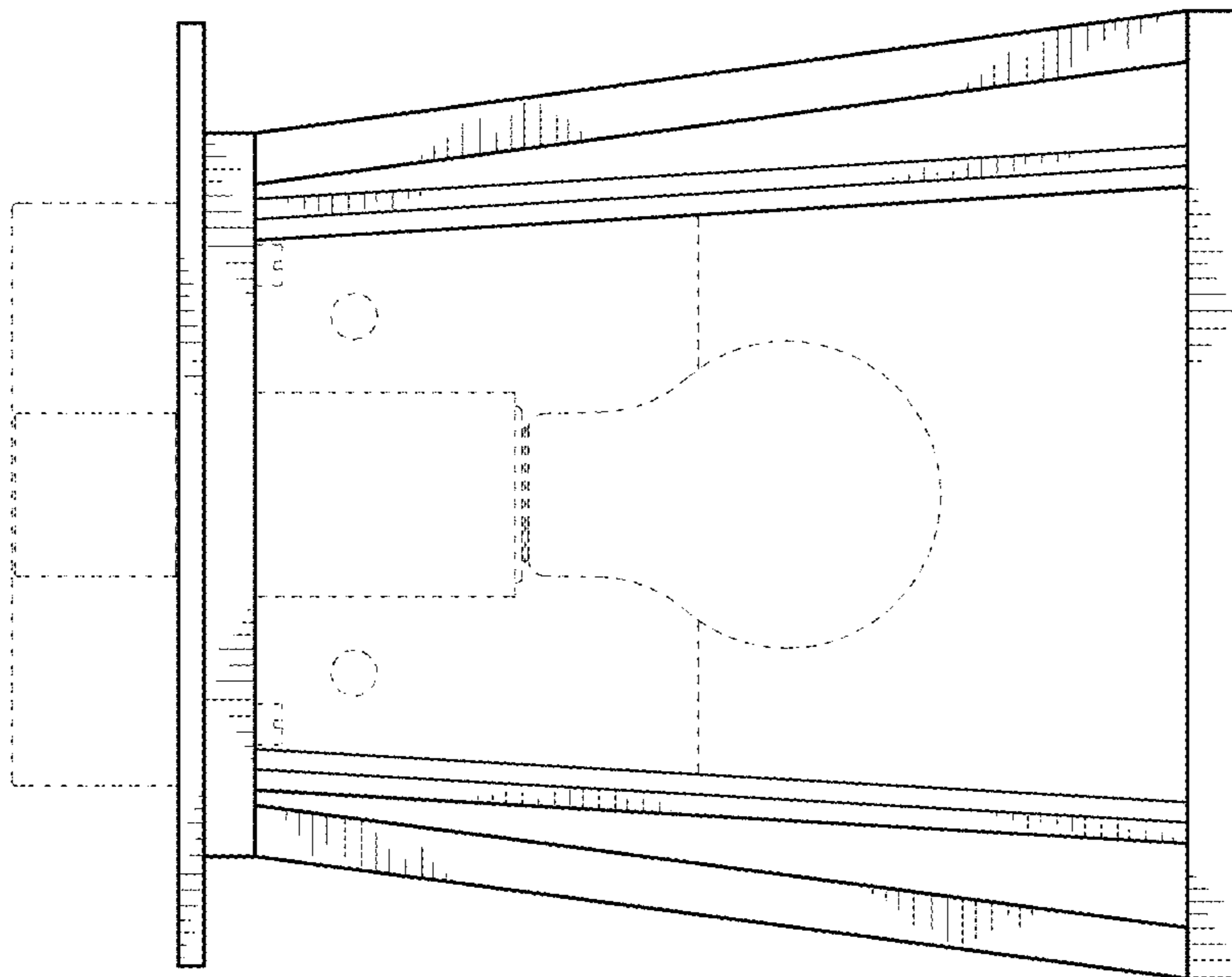


Fig. 13

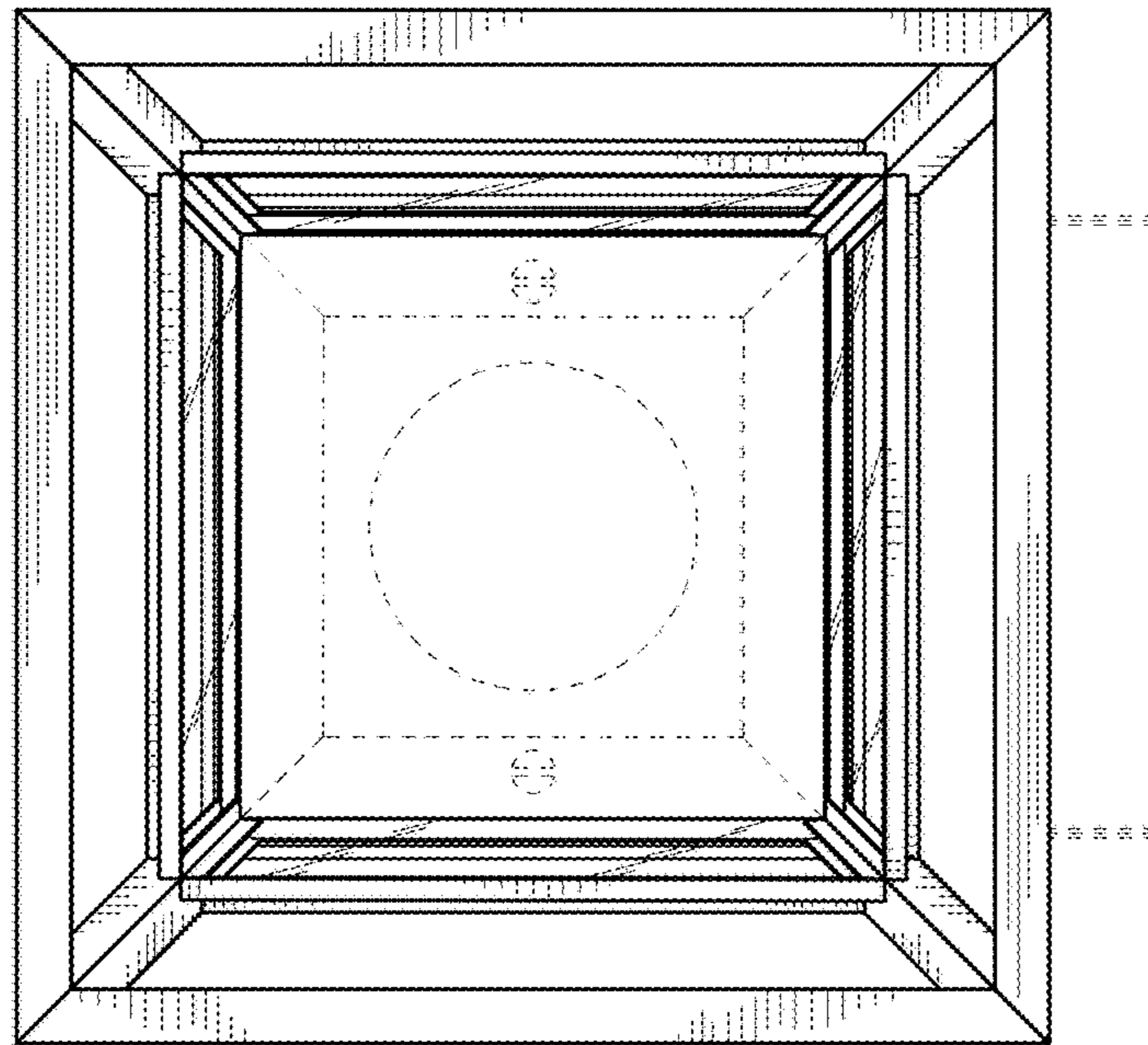


Fig. 15

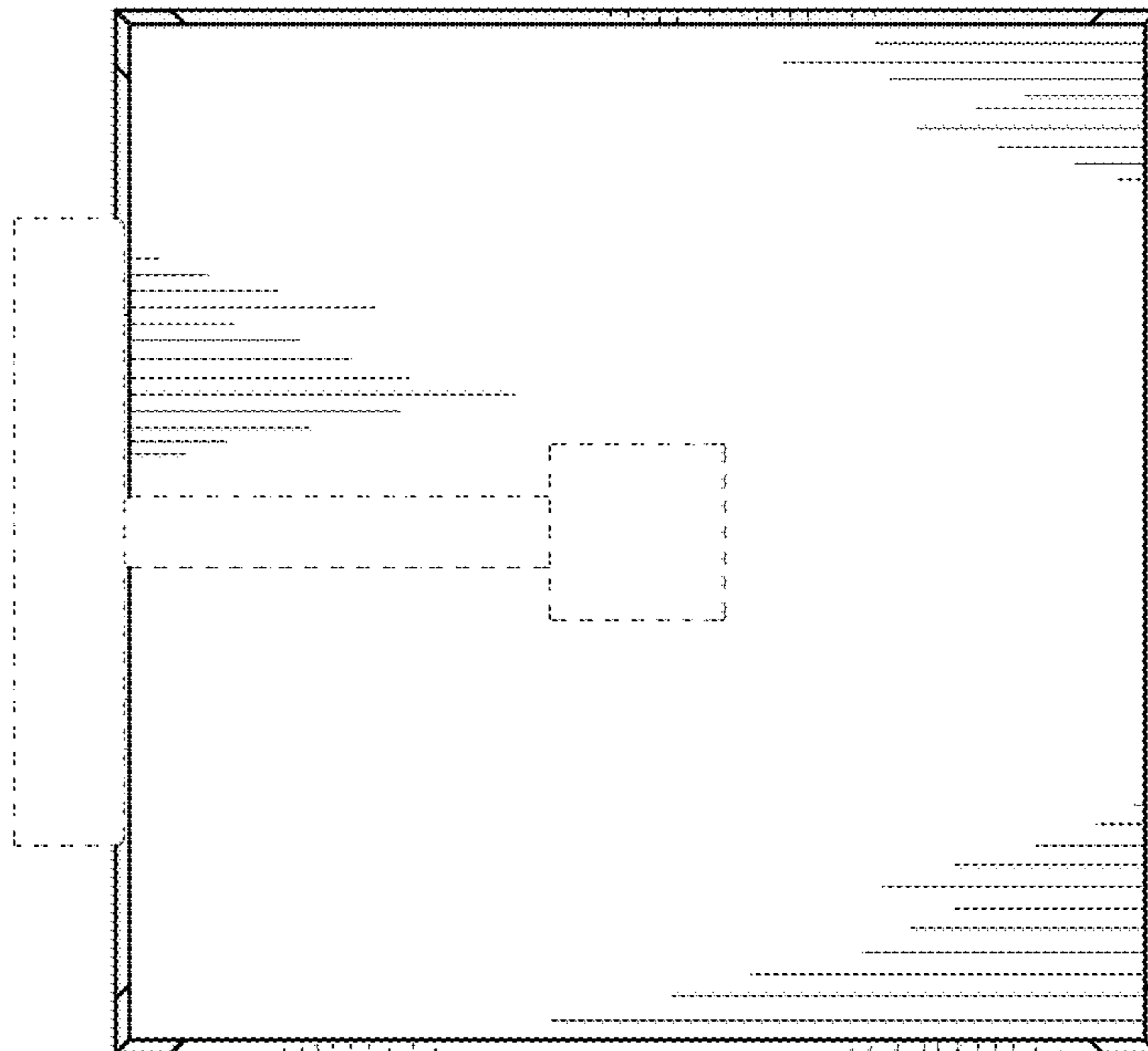


Fig. 16

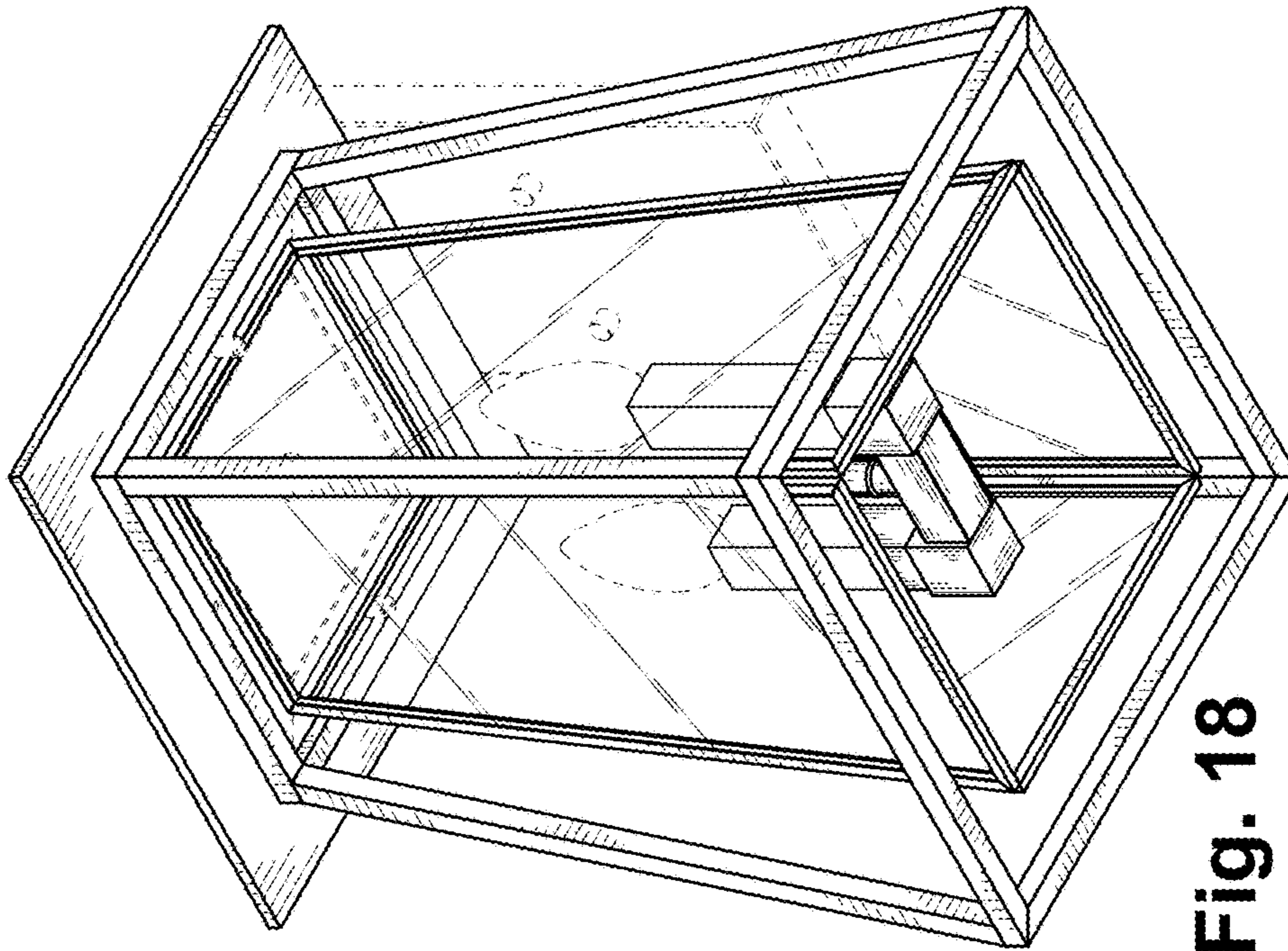


Fig. 18

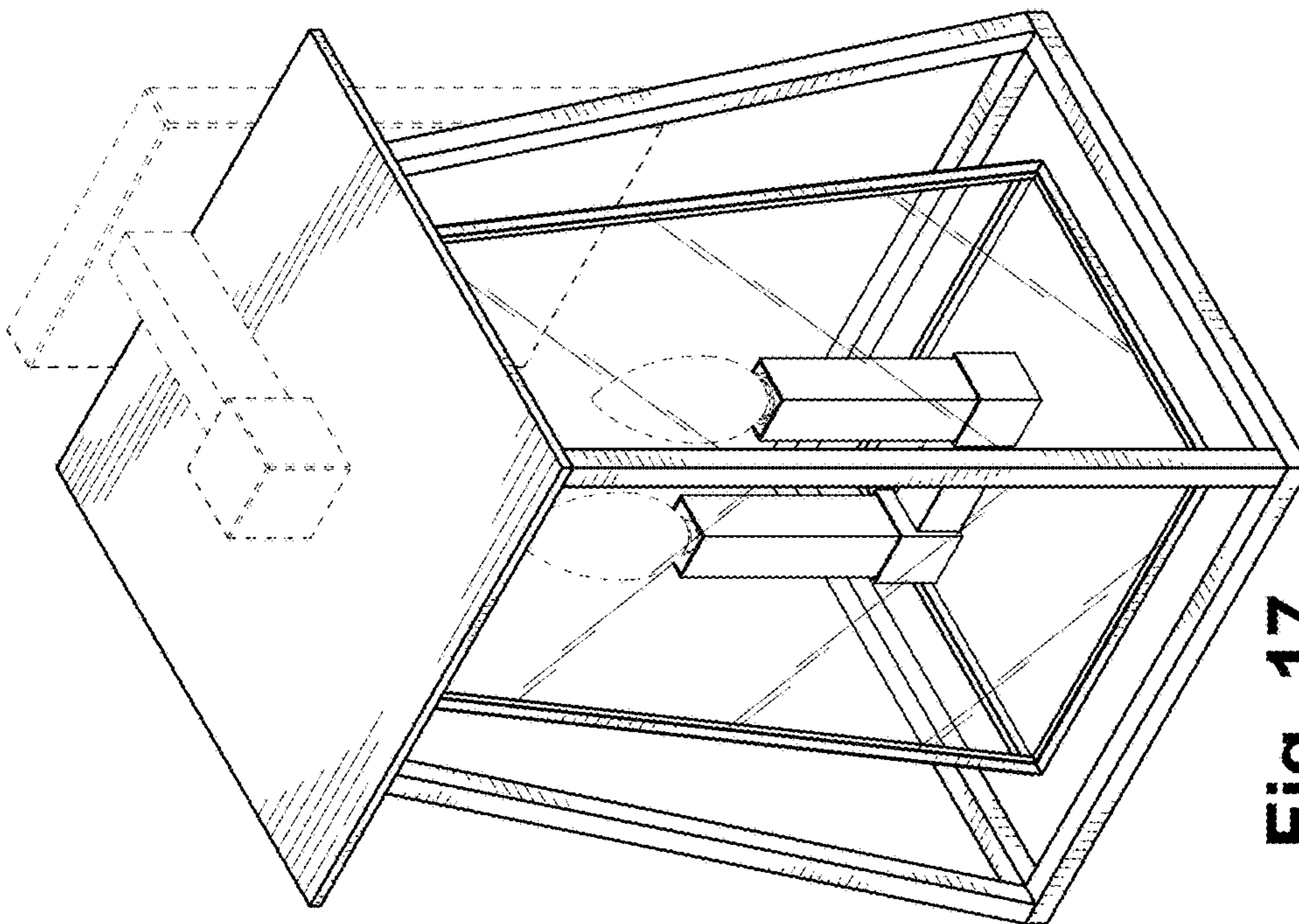


Fig. 17

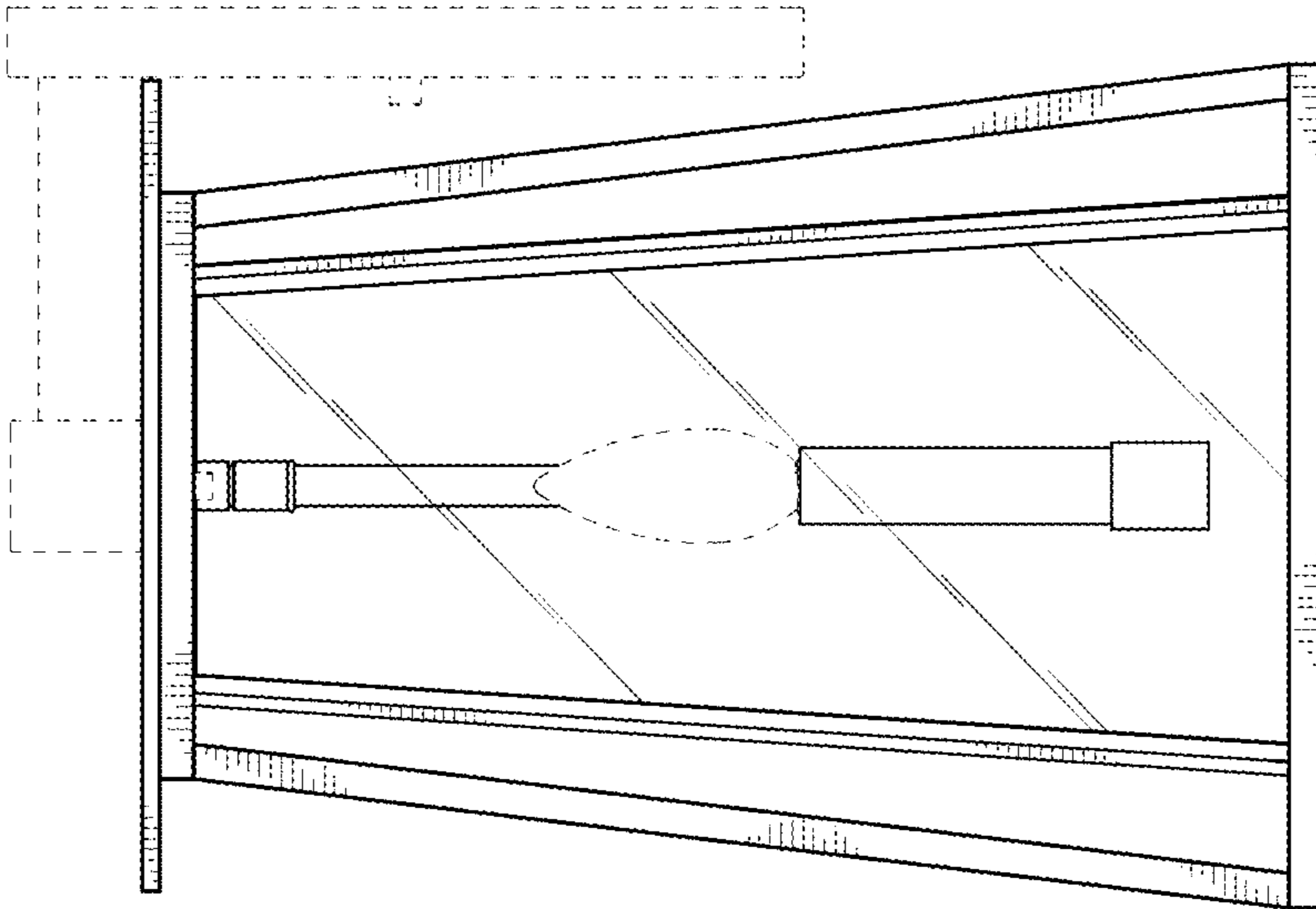


Fig. 20

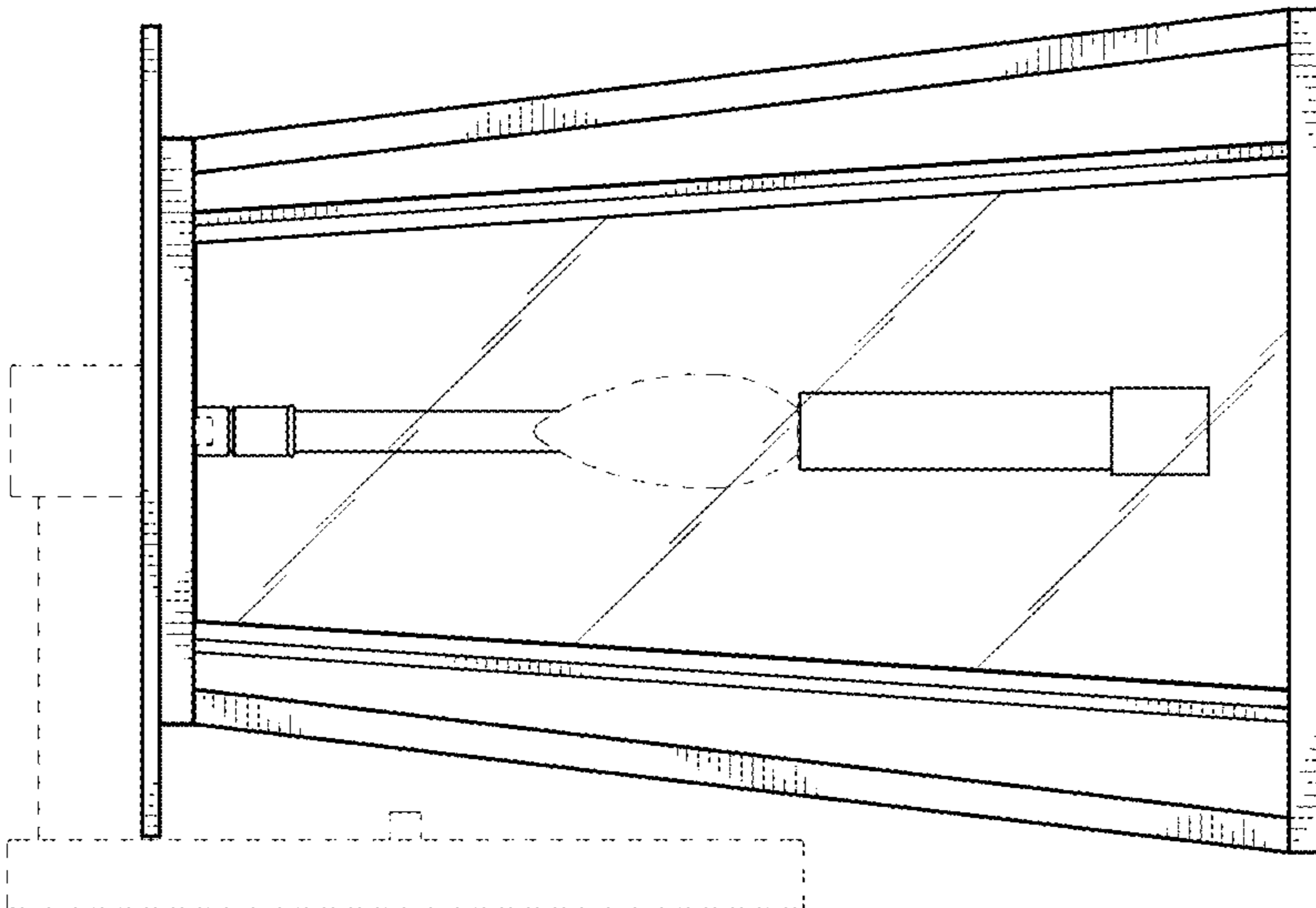


Fig. 19

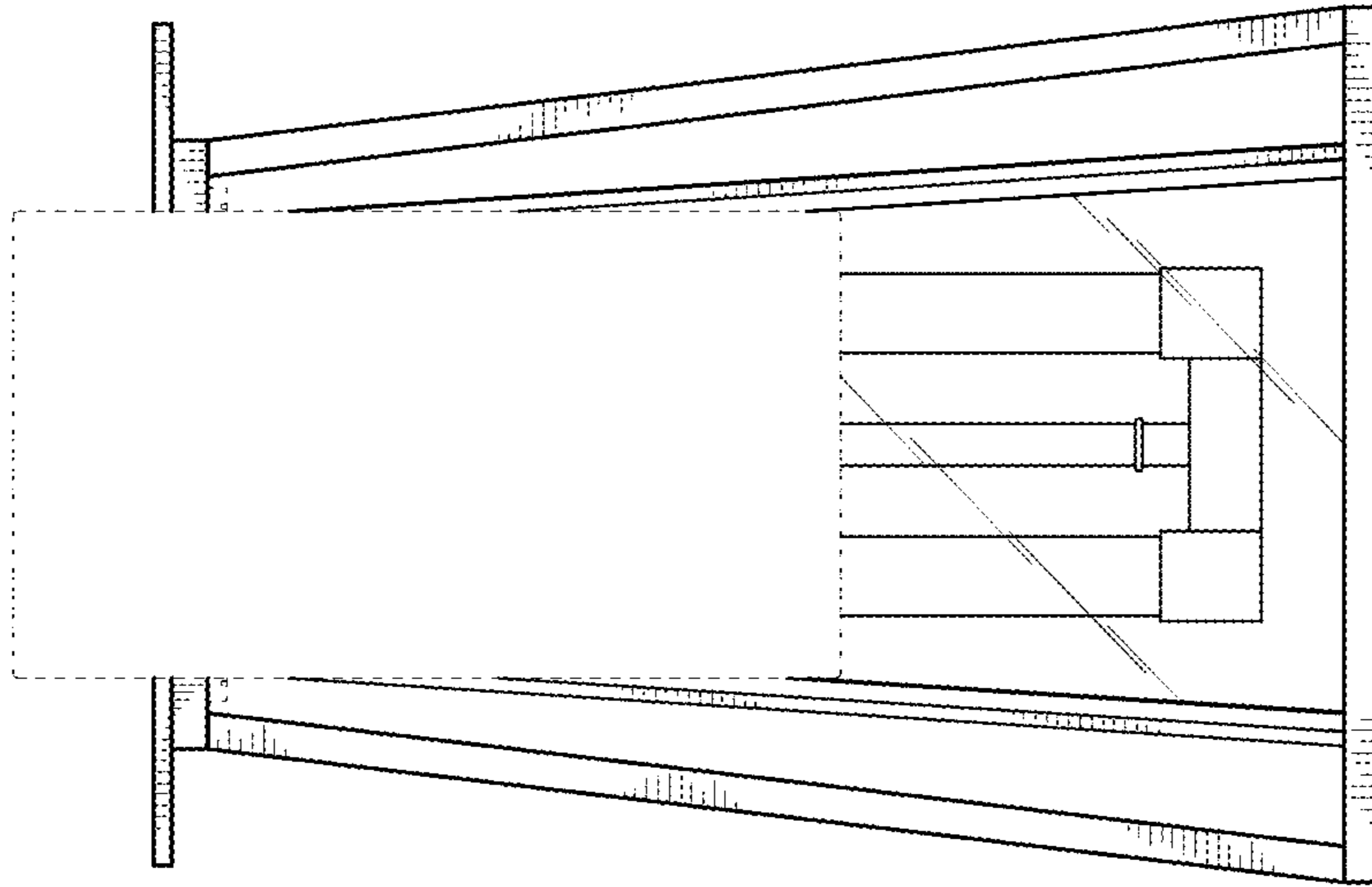


Fig. 22

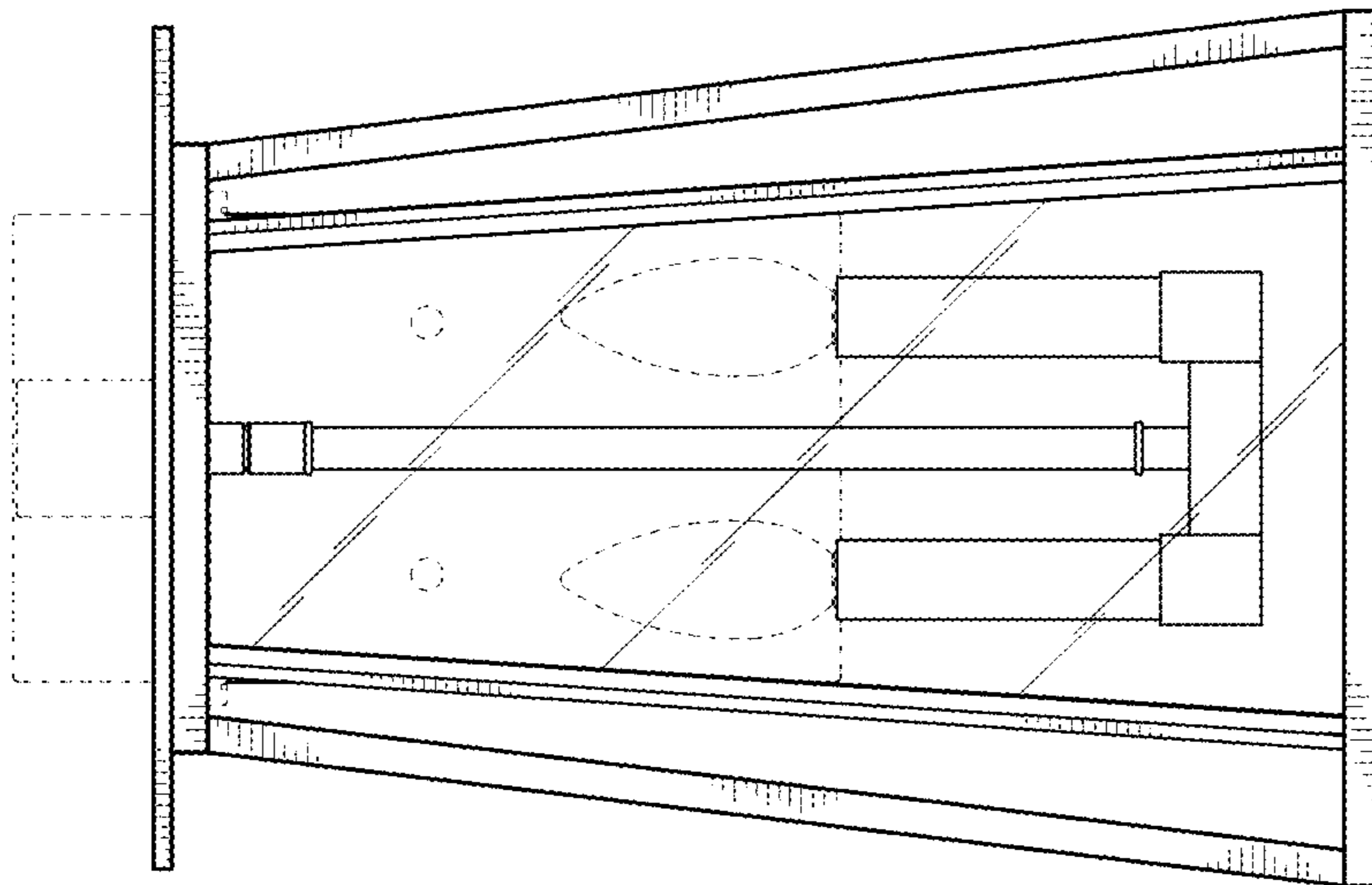


Fig. 21

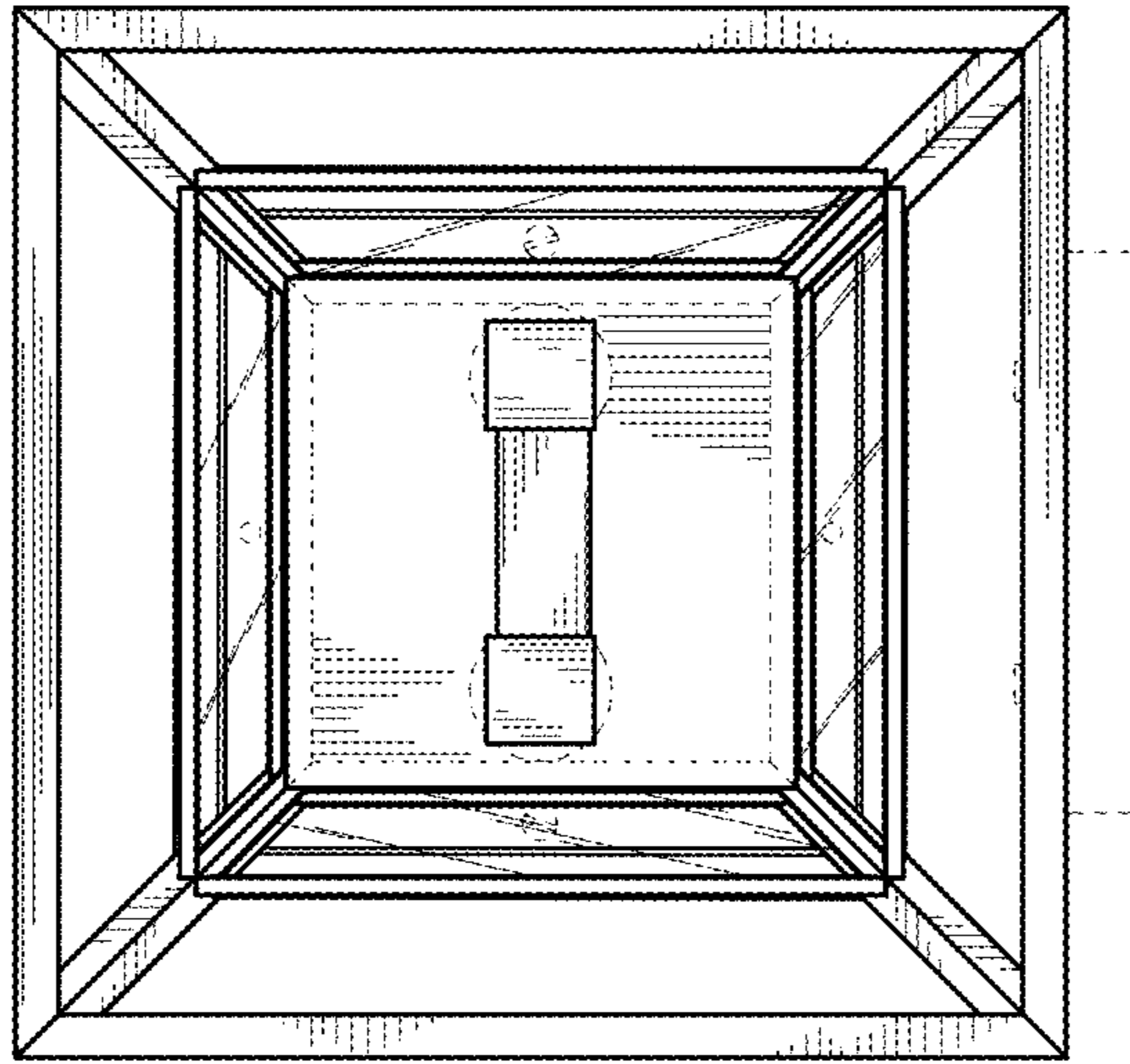


Fig. 24

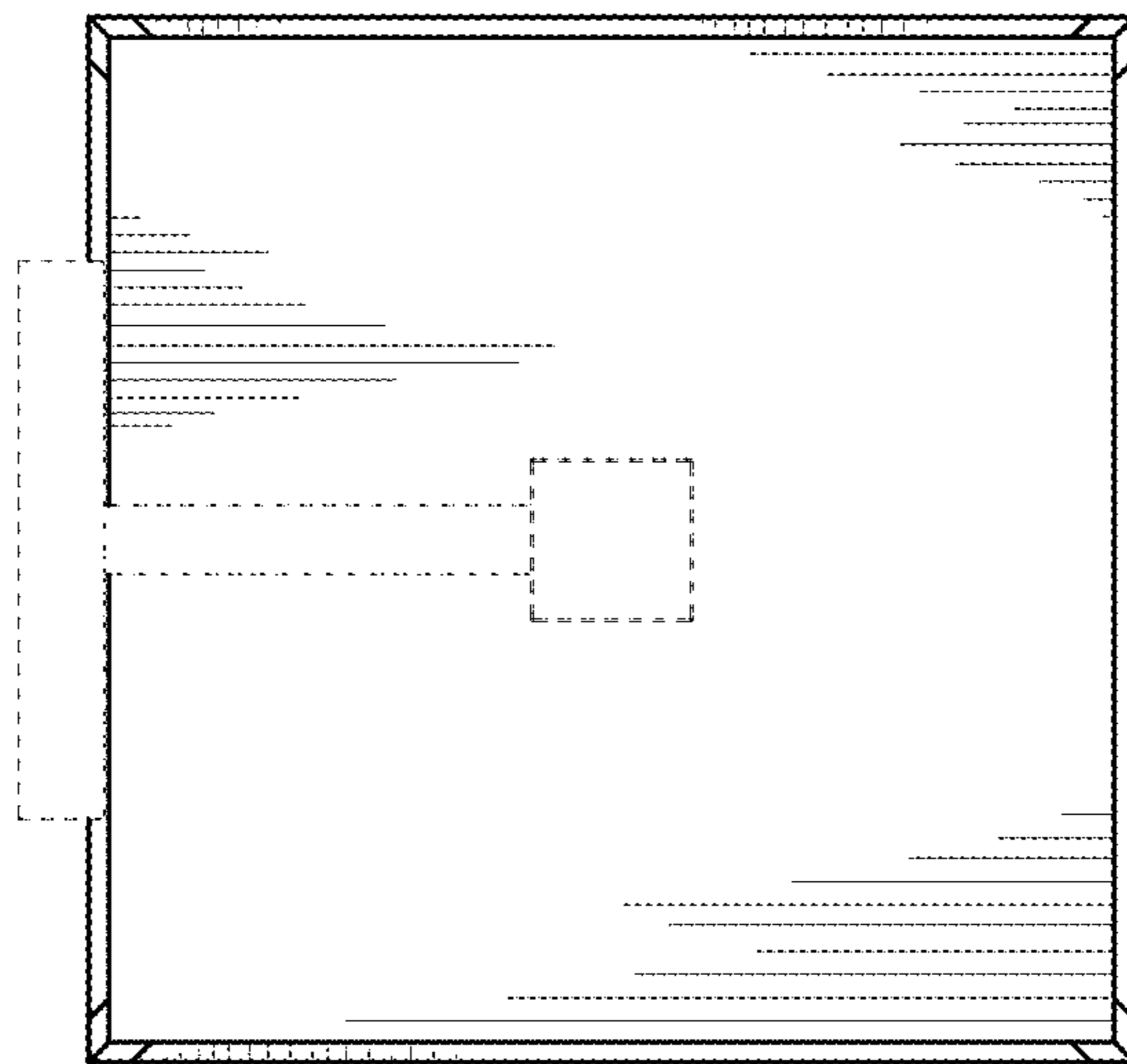


Fig. 23

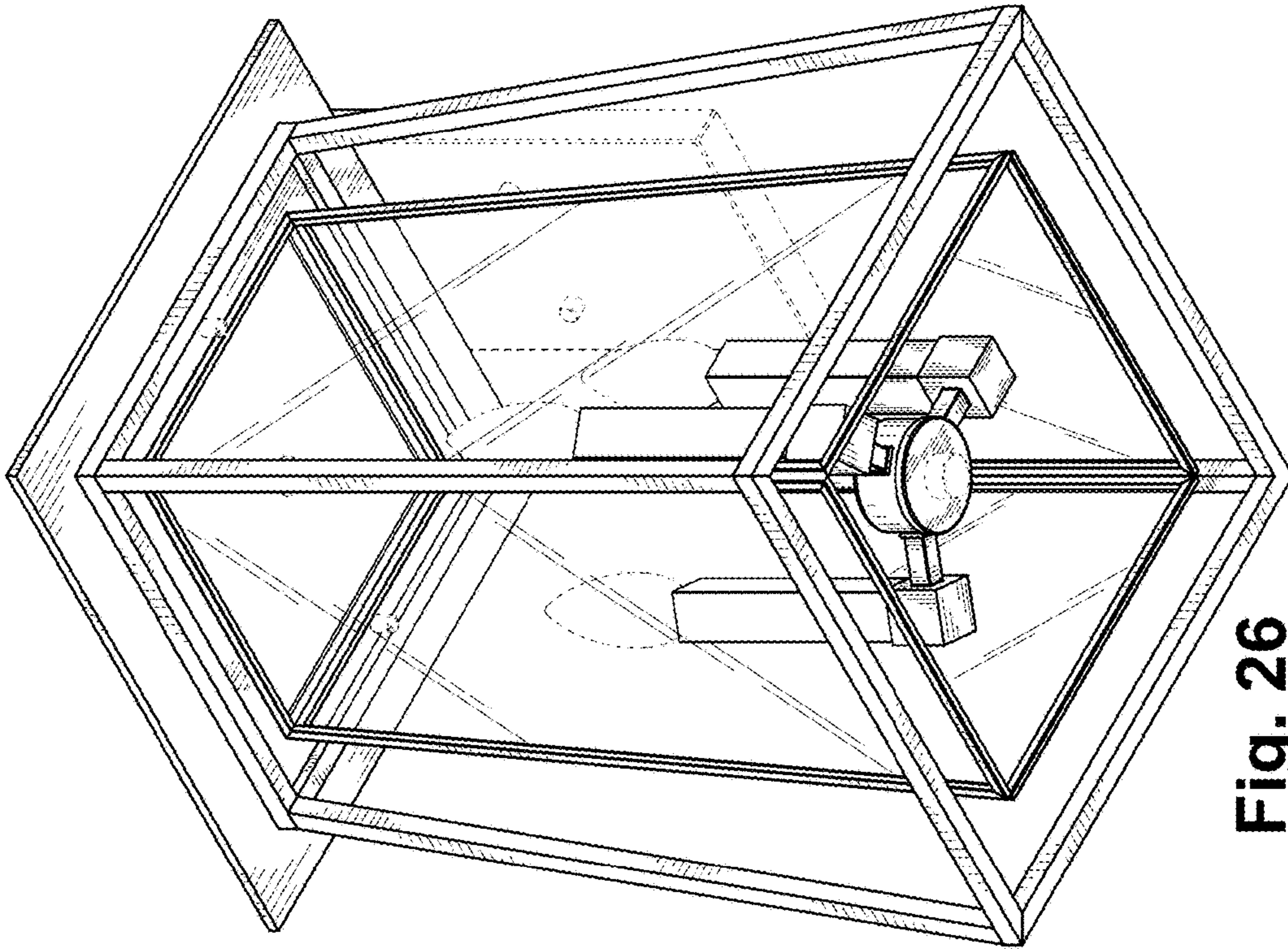


Fig. 26

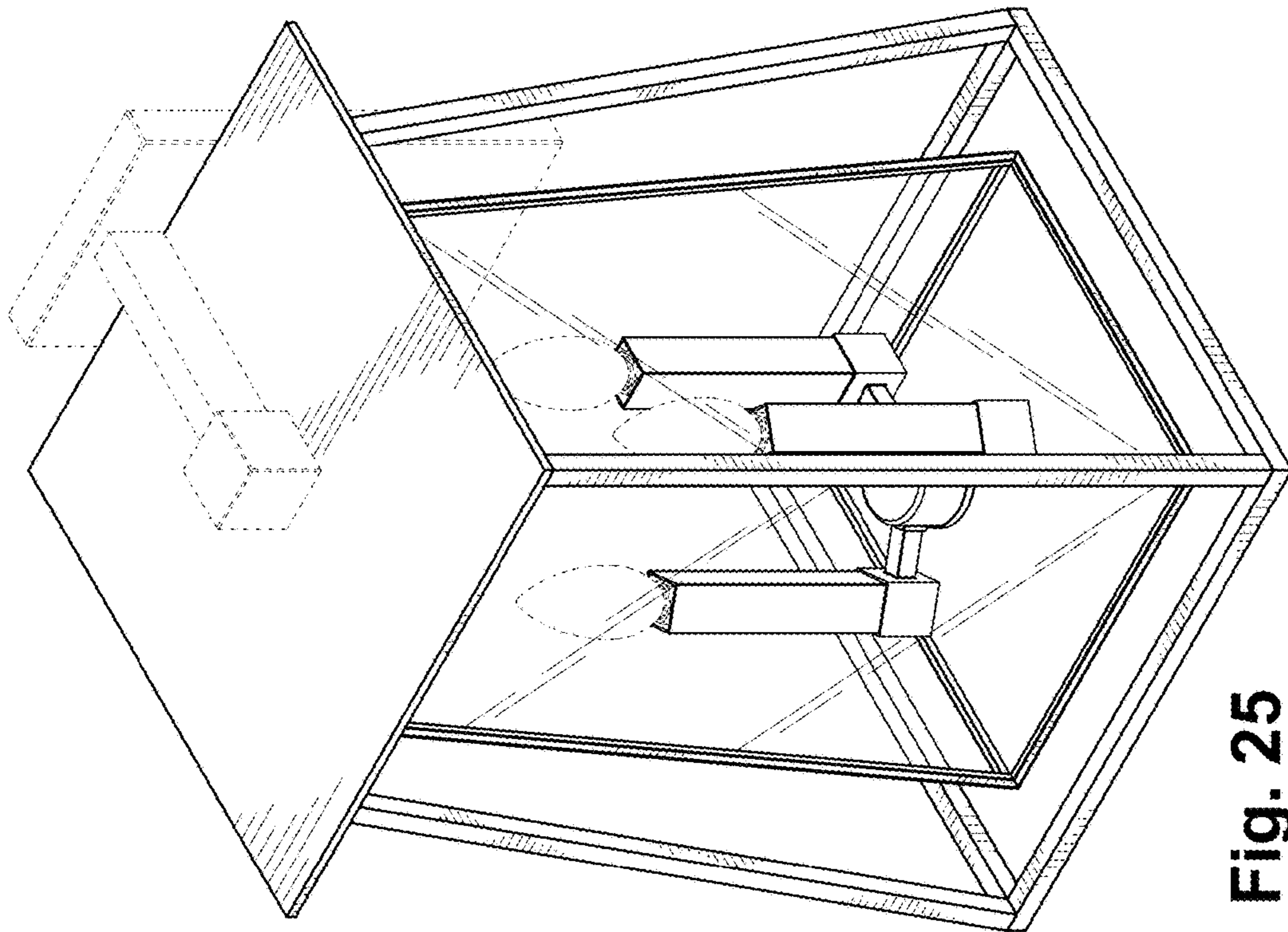


Fig. 25

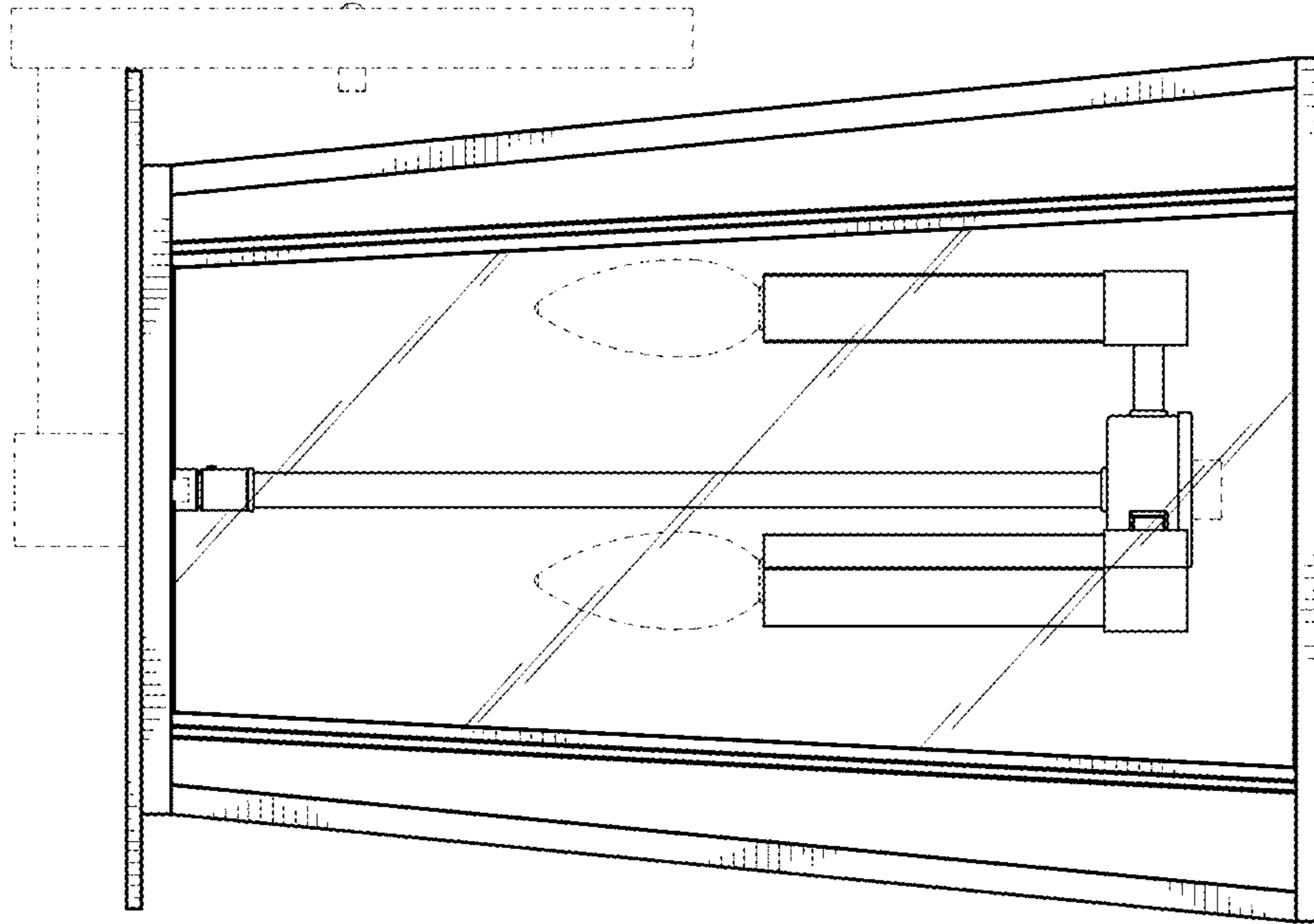


Fig. 28

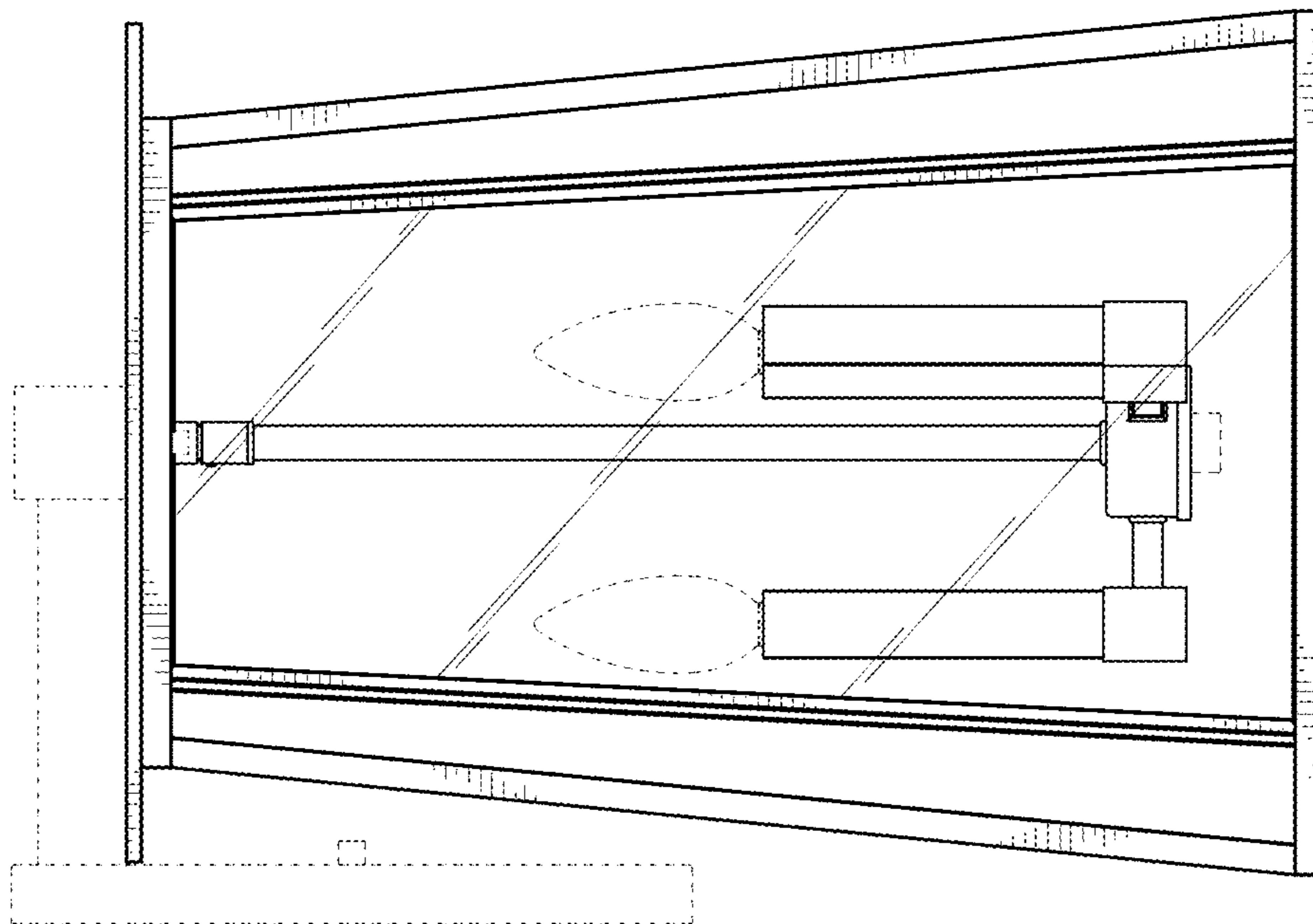


Fig. 27



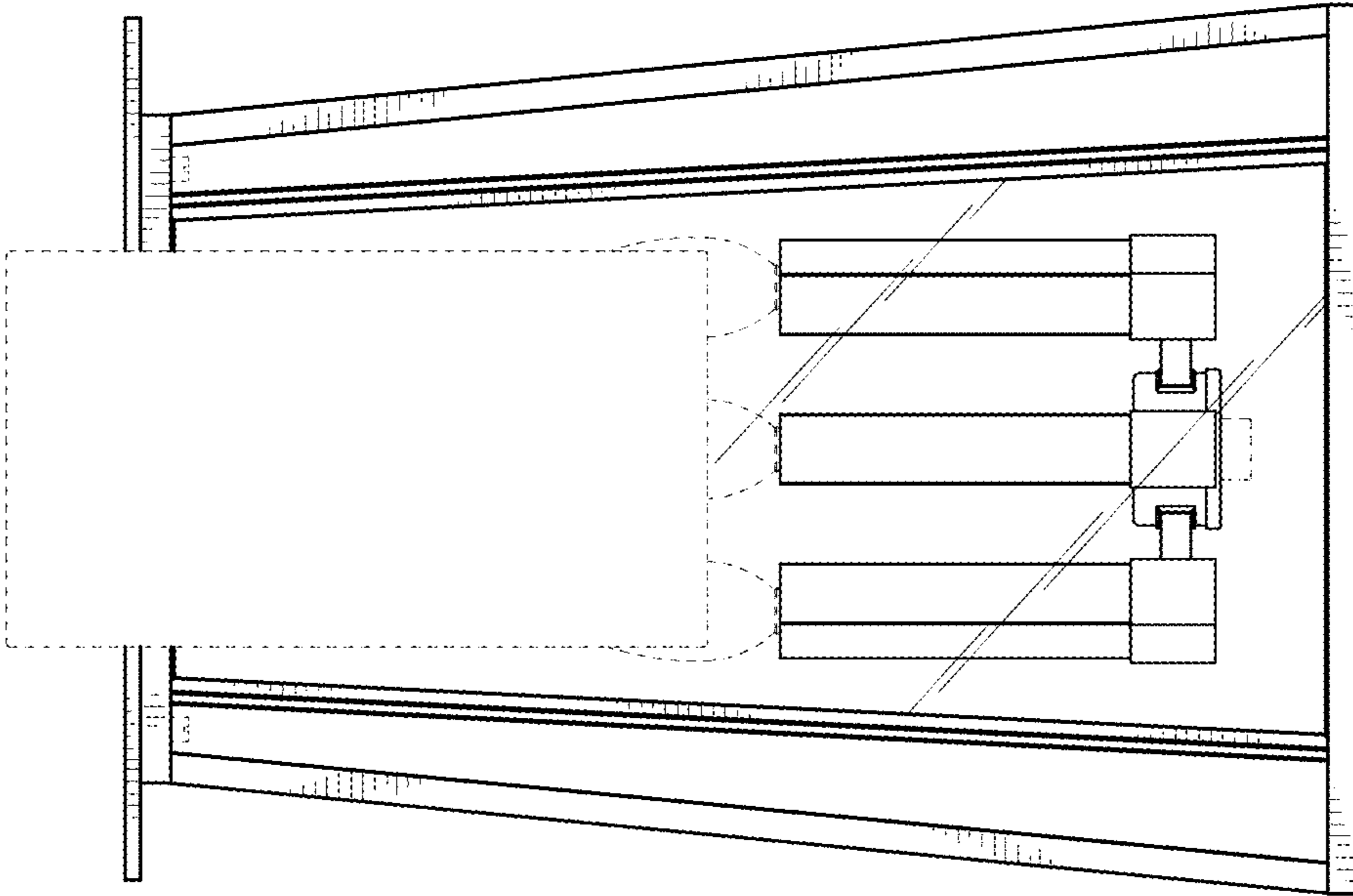


Fig. 30

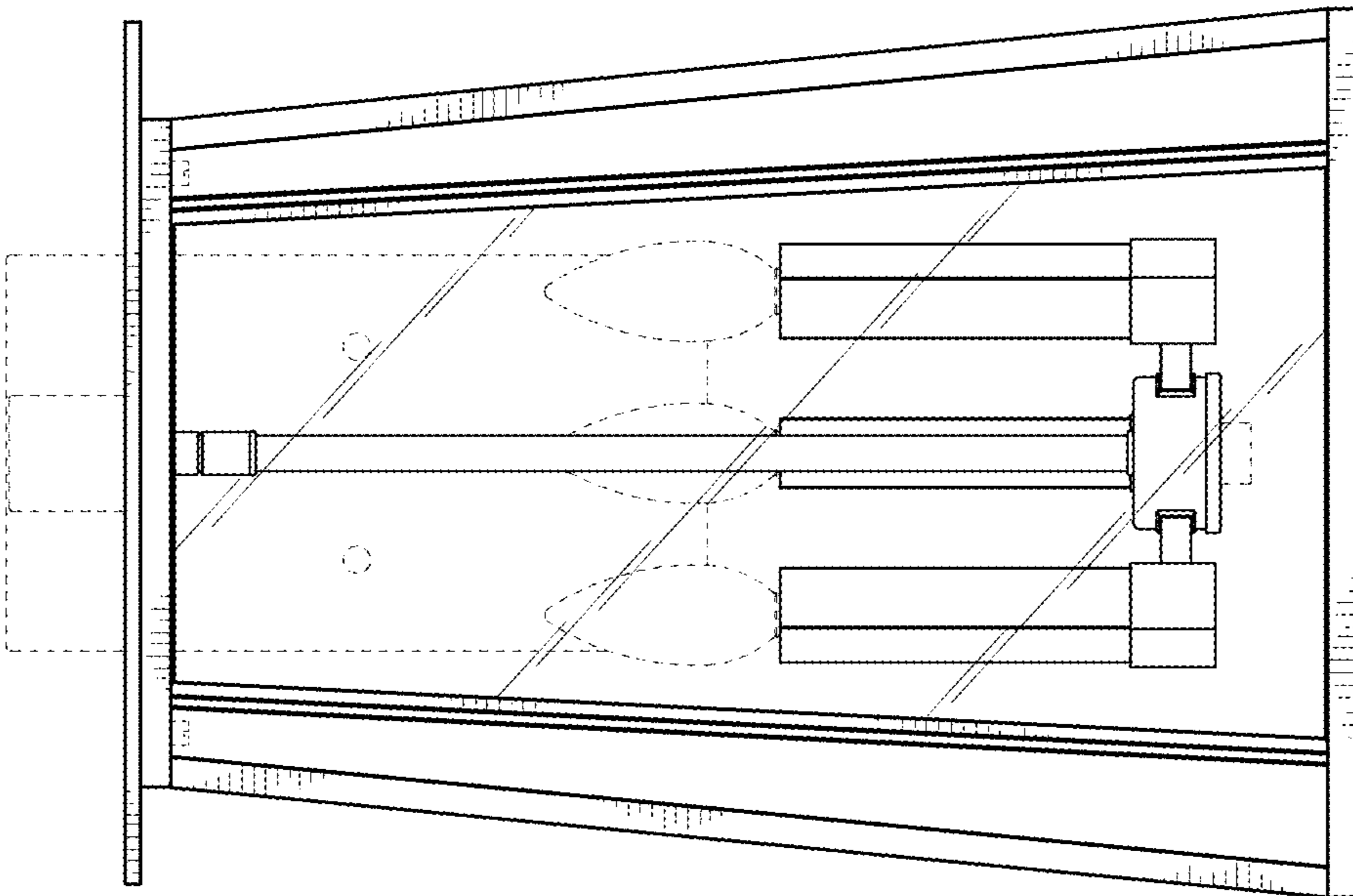


Fig. 29

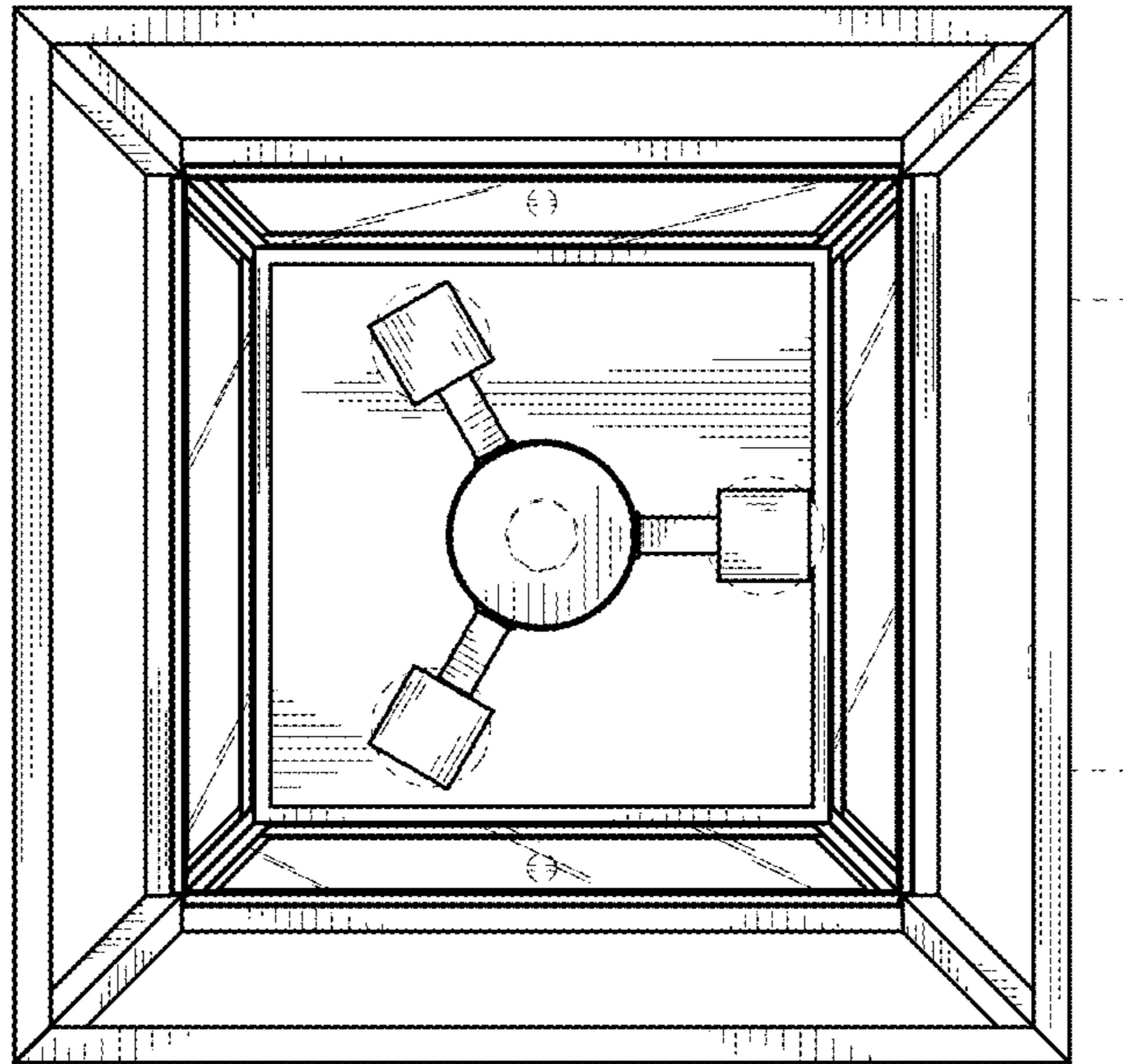


Fig. 32

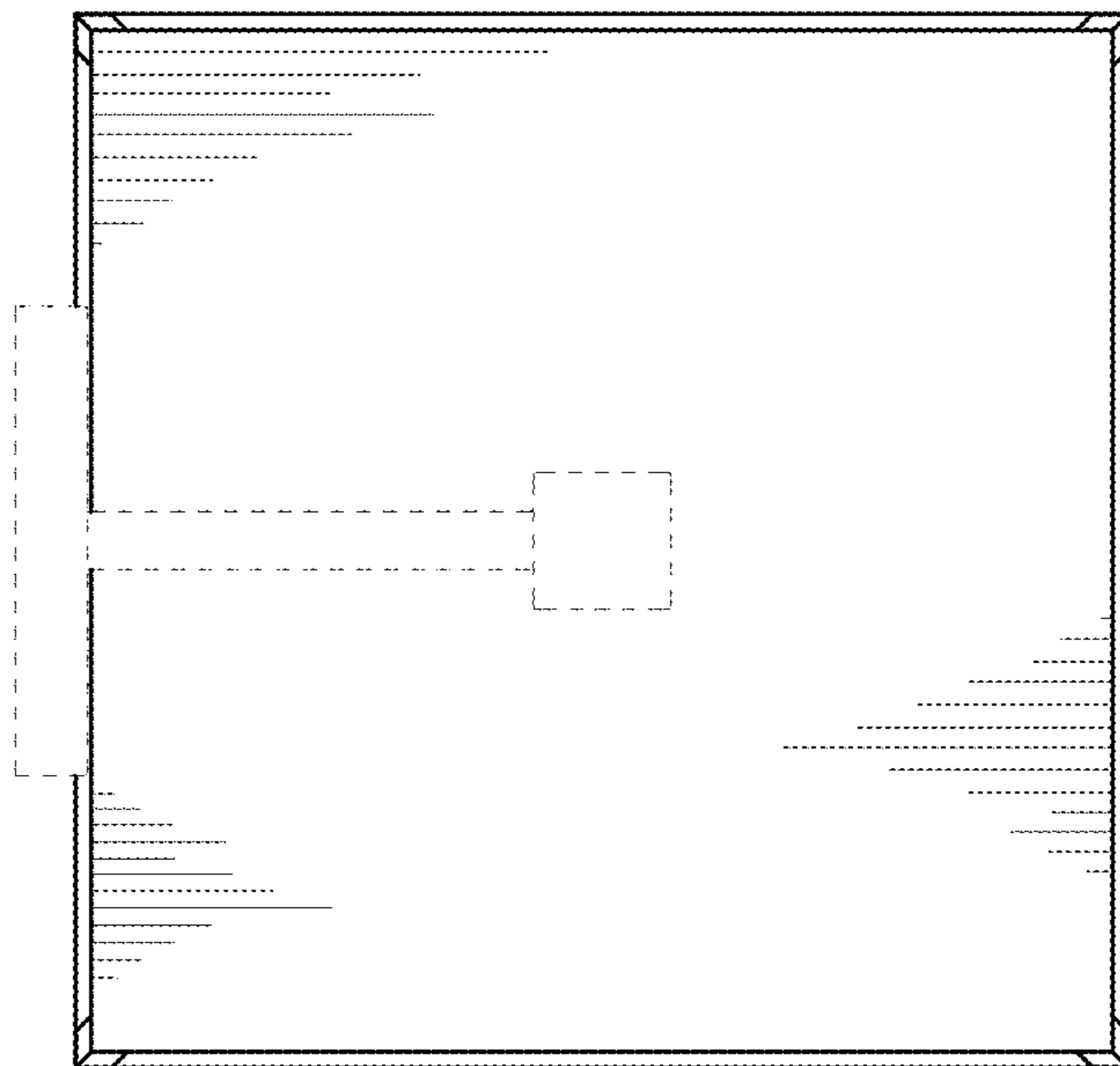


Fig. 31