

US00D864459S

(12) **United States Design Patent**
Pan

(10) **Patent No.:** **US D864,459 S**

(45) **Date of Patent:** **** Oct. 22, 2019**

(54) **LED LAMP**

(71) Applicant: **SHENZHEN SNC OPTO ELECTRONIC CO., LTD**, Shenzhen (CN)

(72) Inventor: **Nianhua Pan**, Shenzhen (CN)

(73) Assignee: **Shenzhen SNC Opto Electronic Co., Ltd**, Shenzhen (CN)

(**) Term: **15 Years**

(21) Appl. No.: **29/640,496**

(22) Filed: **Mar. 15, 2018**

(30) **Foreign Application Priority Data**

Feb. 23, 2018 (CN) 2018-3-00719856

(51) **LOC (12) Cl.** **26-05**

(52) **U.S. Cl.**
USPC **D26/85**

(58) **Field of Classification Search**
USPC D10/104.1, 106.1, 106.6, 106.8;
D25/133, 135, 136; D26/10, 37, 38, 40,
D26/51, 60, 67, 68, 72, 76, 78, 82, 85,
D26/86, 104, 106, 145
CPC F21S 8/00; F21S 8/02; F21S 8/04; F21S
8/003; F21S 8/006; F21S 6/00; F21S
9/022; F21S 9/037

See application file for complete search history.

(56) **References Cited**

U.S. PATENT DOCUMENTS

D272,193 S * 1/1984 Sangiamo D26/85
D440,683 S * 4/2001 Guercio D26/24

D815,331 S * 4/2018 Yang D26/85
D833,055 S * 11/2018 Deng D26/85
D841,865 S * 2/2019 Deng D26/85
2014/0177228 A1* 6/2014 Ellingson F21V 3/06
362/294
2015/0167936 A1* 6/2015 Yong F21V 29/83
362/190
2016/0312989 A1* 10/2016 Tiwary F21V 21/30

OTHER PUBLICATIONS

LED Wall Pack Light (available online Sep. 27, 2018) Retrieved from the internet Jun. 7, 2019 from URL:<https://web.archive.org/web/20180927022340/https://www.snc-lighting.com/en/product/product-29-896.html>.*

* cited by examiner

Primary Examiner — Kevin K Rudzinski

Assistant Examiner — Richard Kearney

(57) **CLAIM**

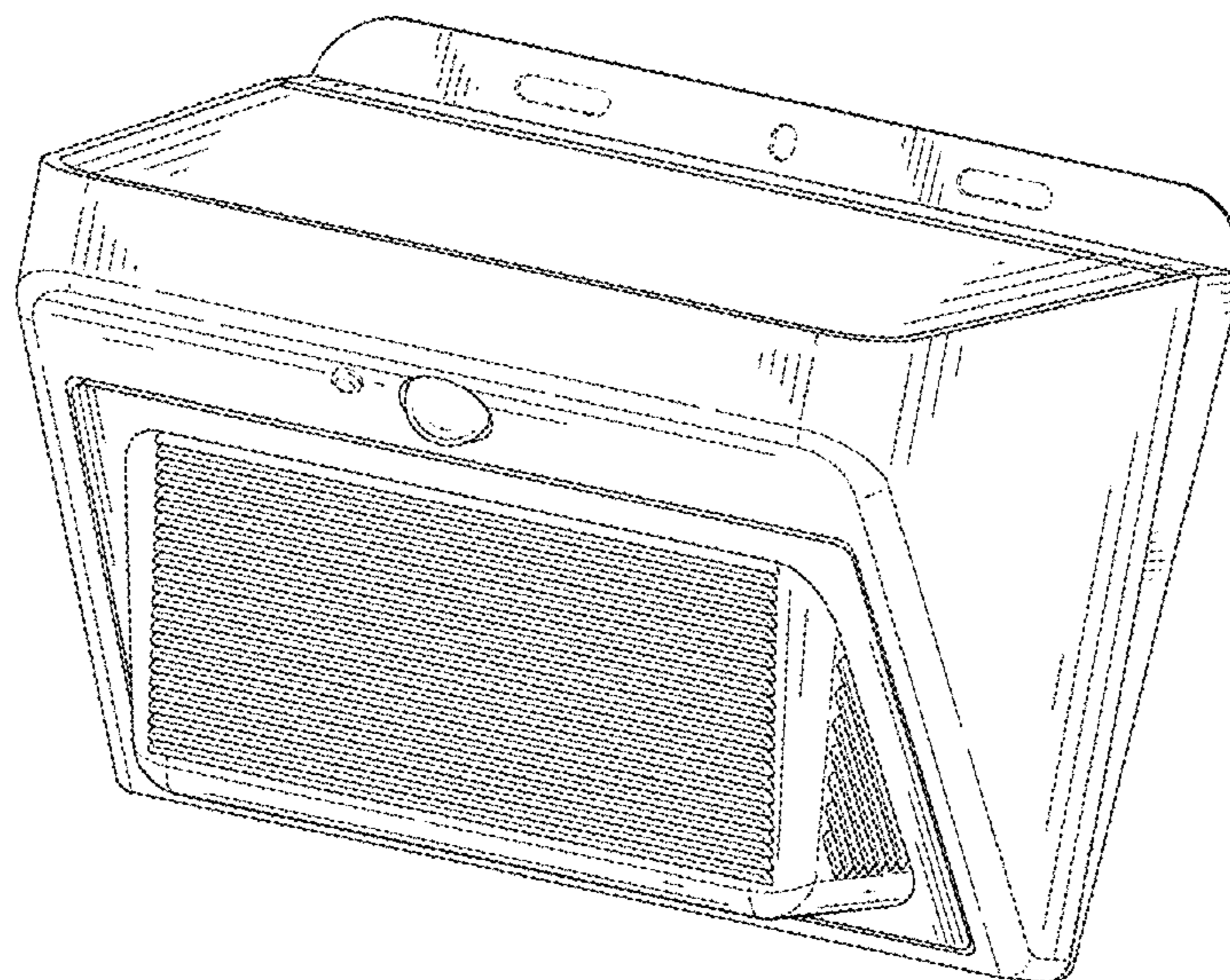
The ornamental design for a LED lamp, as shown and described.

DESCRIPTION

FIG. 1 is a perspective view of the LED lamp showing my new design;
FIG. 2 is similar to FIG. 1, viewed from another aspect;
FIG. 3 is a front elevational view thereof;
FIG. 4 is a rear elevational view thereof;
FIG. 5 is a left side elevational view thereof;
FIG. 6 is a right side elevational view thereof;
FIG. 7 is a top plan view thereof; and,
FIG. 8 is a bottom plan view thereof.

The broken lines are for the purposes of illustrating portions of the LED lamp and form no part of the claimed design.

1 Claim, 8 Drawing Sheets



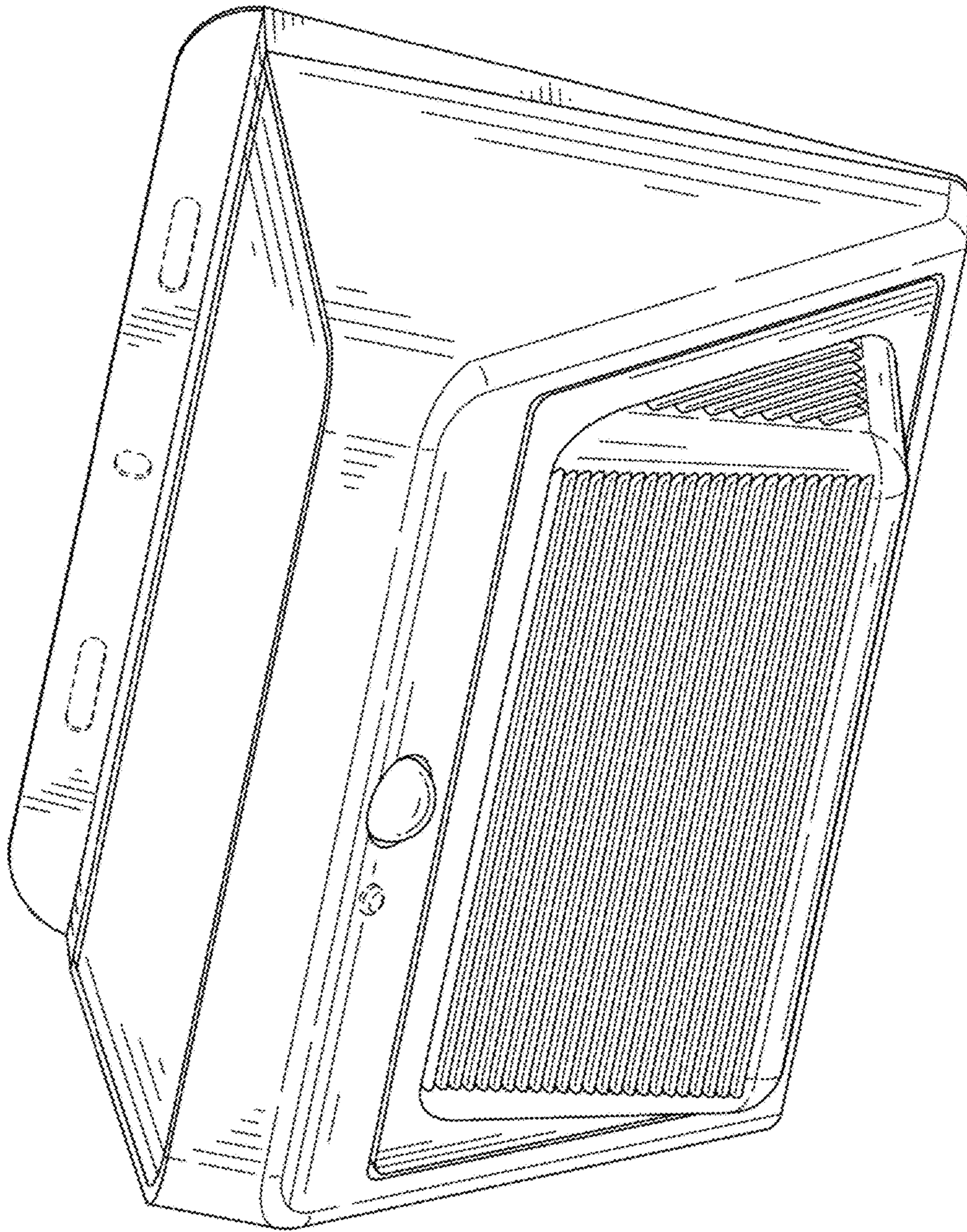


FIG. 1

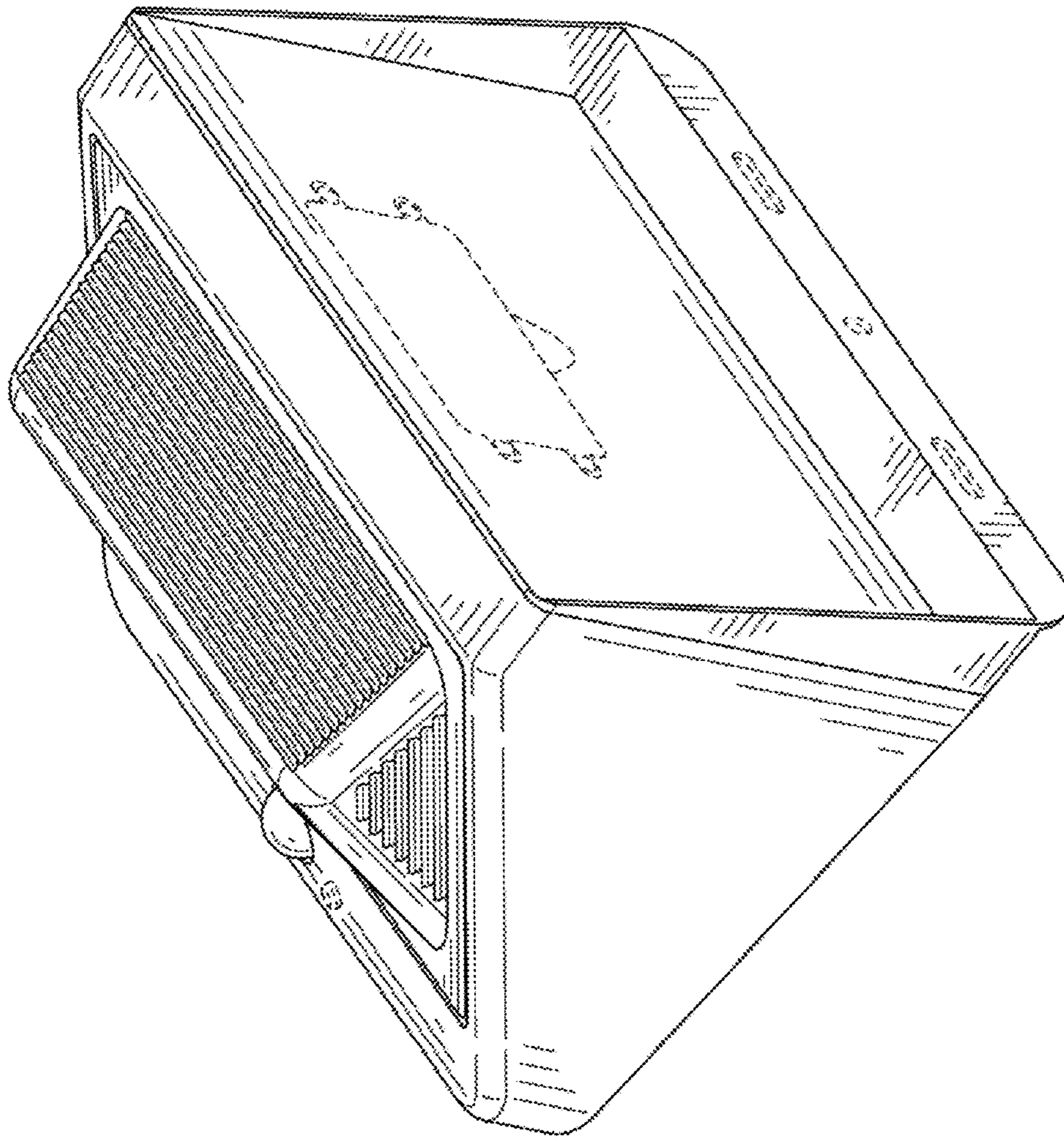


FIG. 2

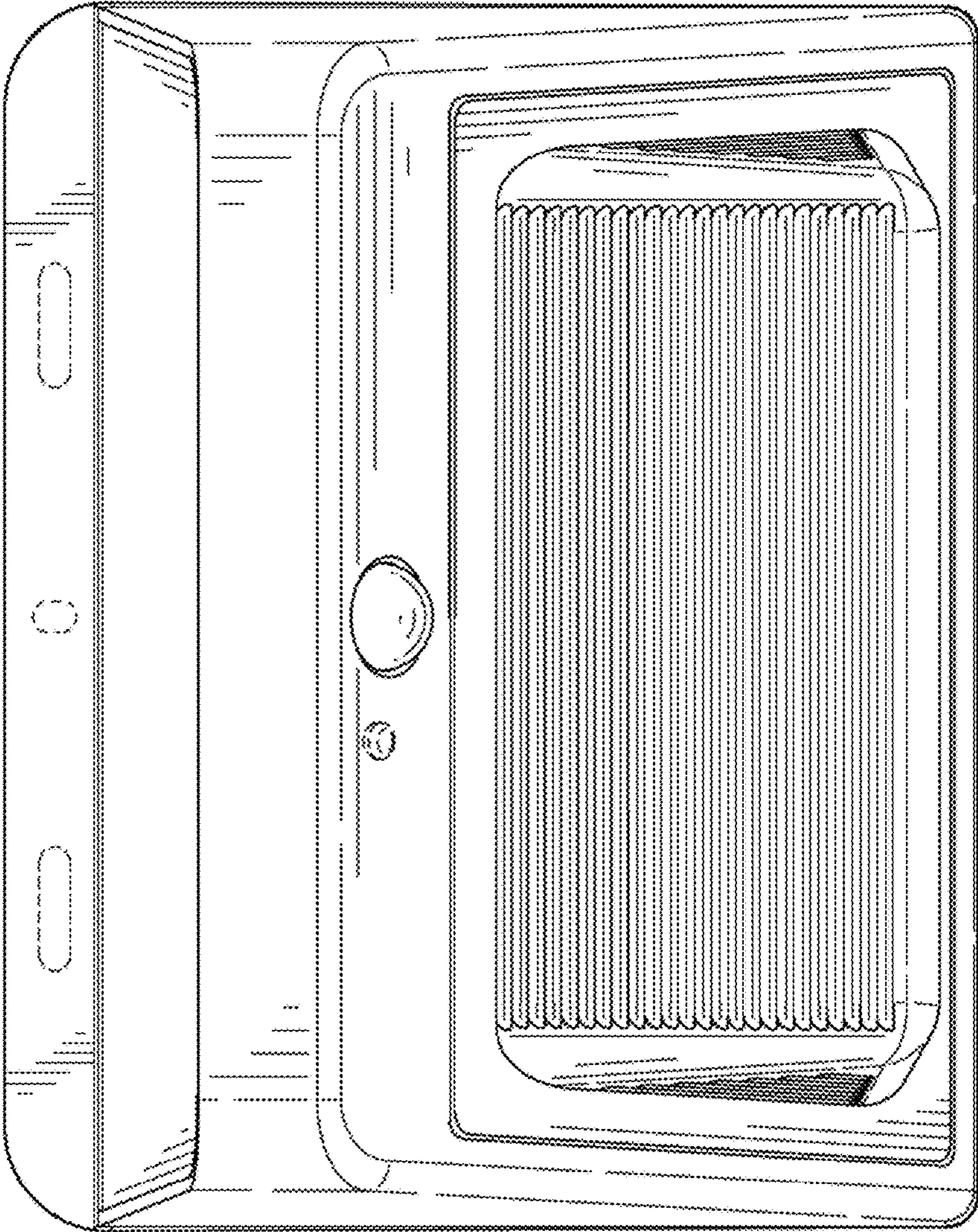


FIG. 3

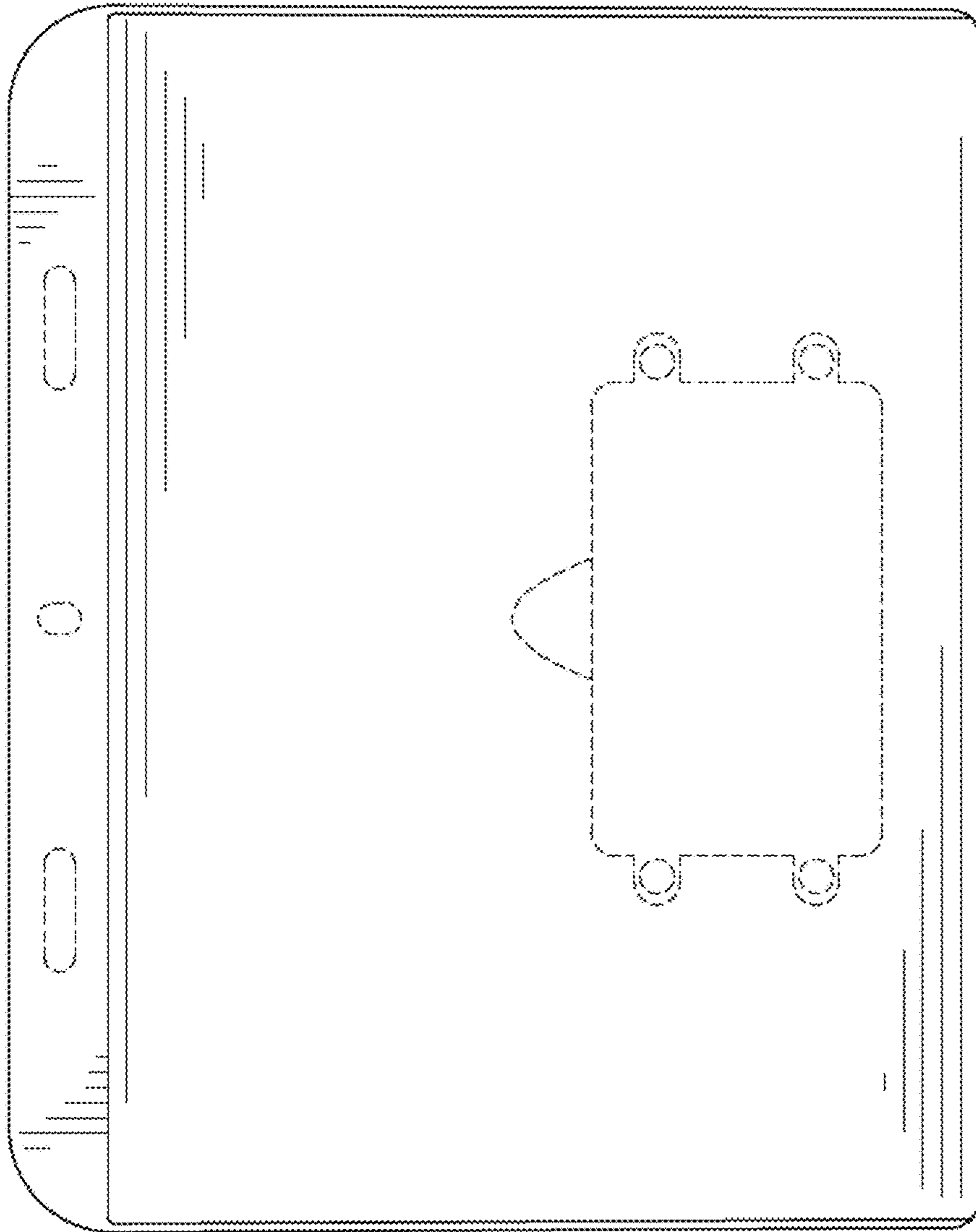


FIG. 4

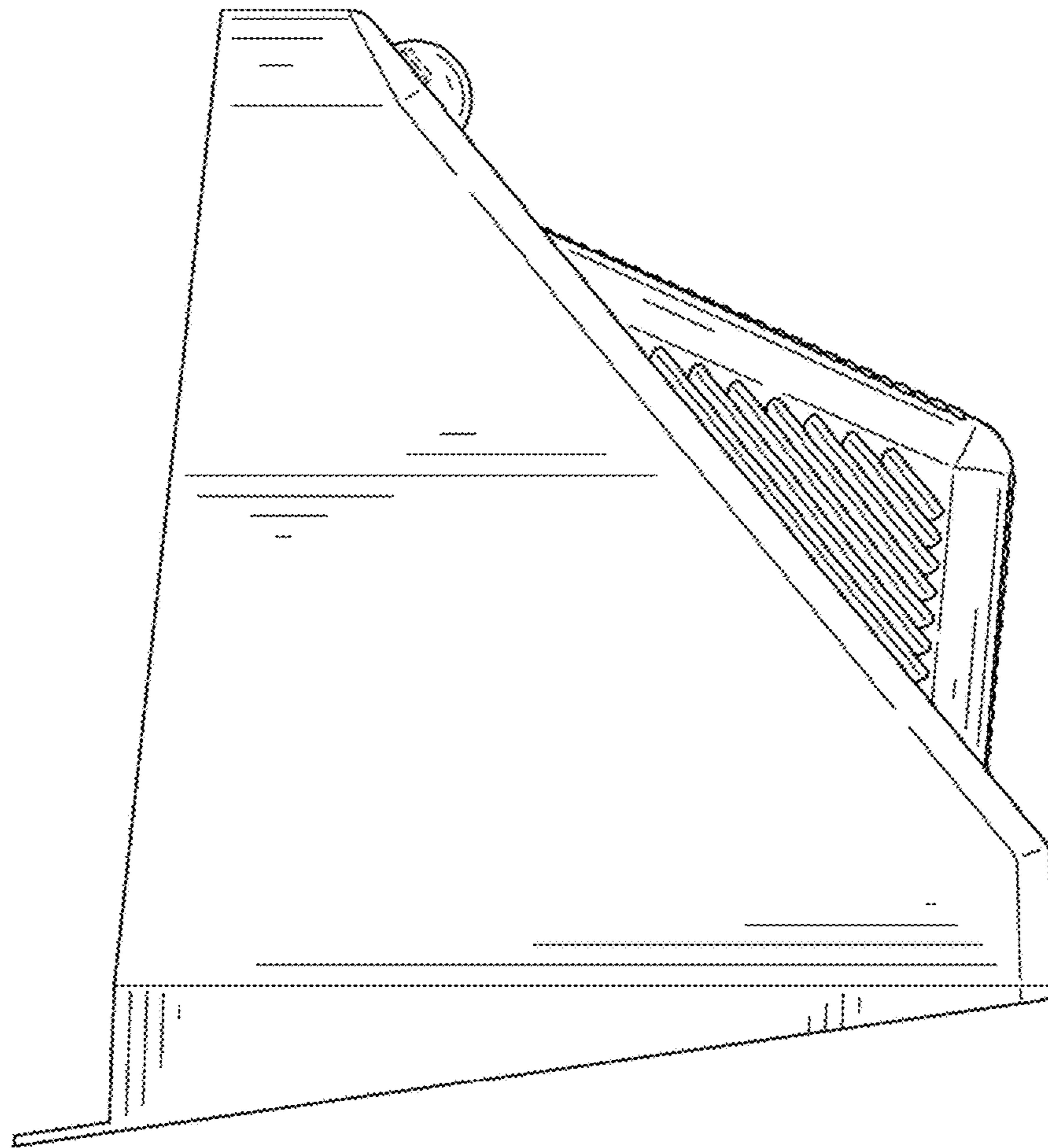


FIG. 5

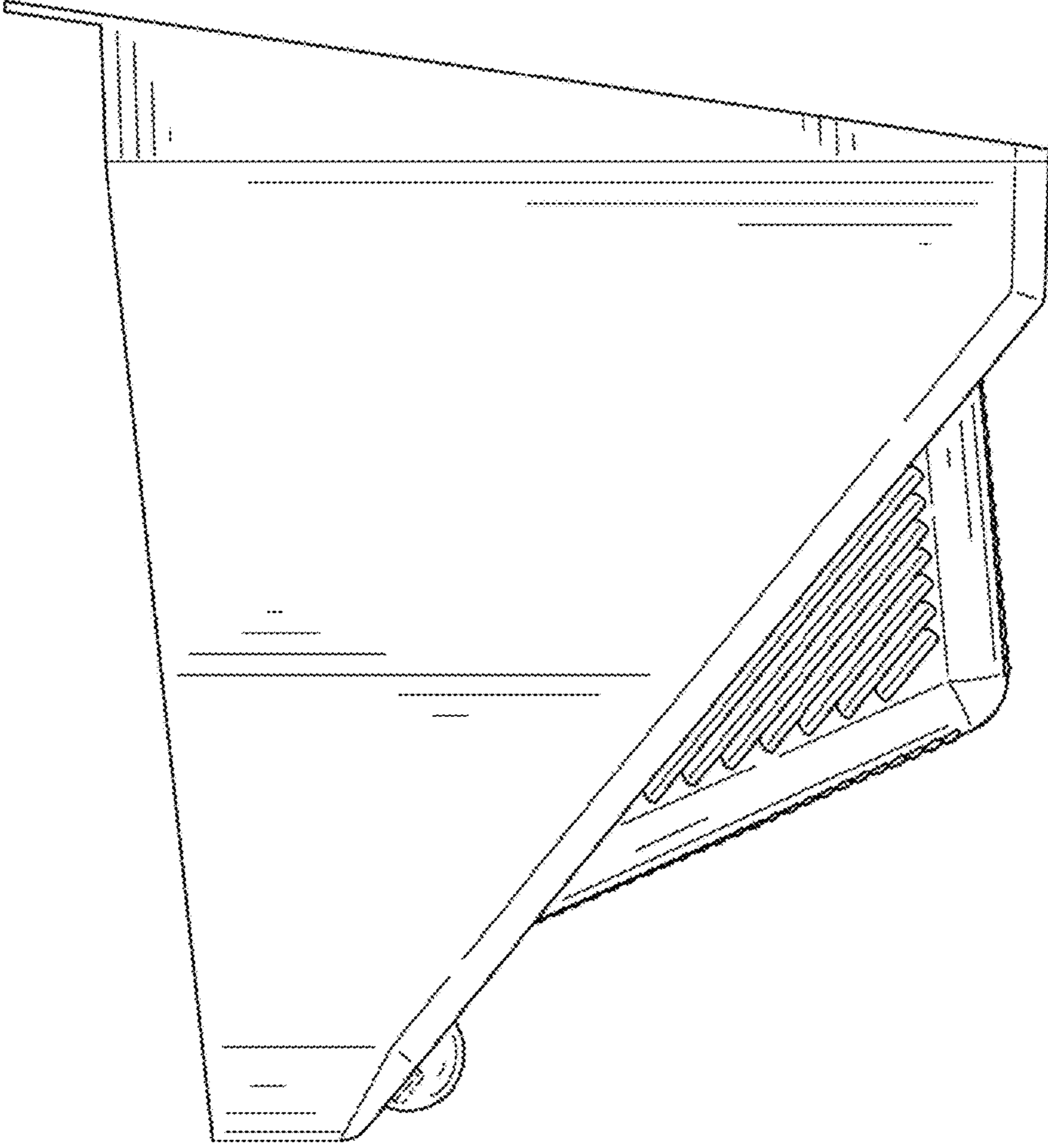


FIG. 6

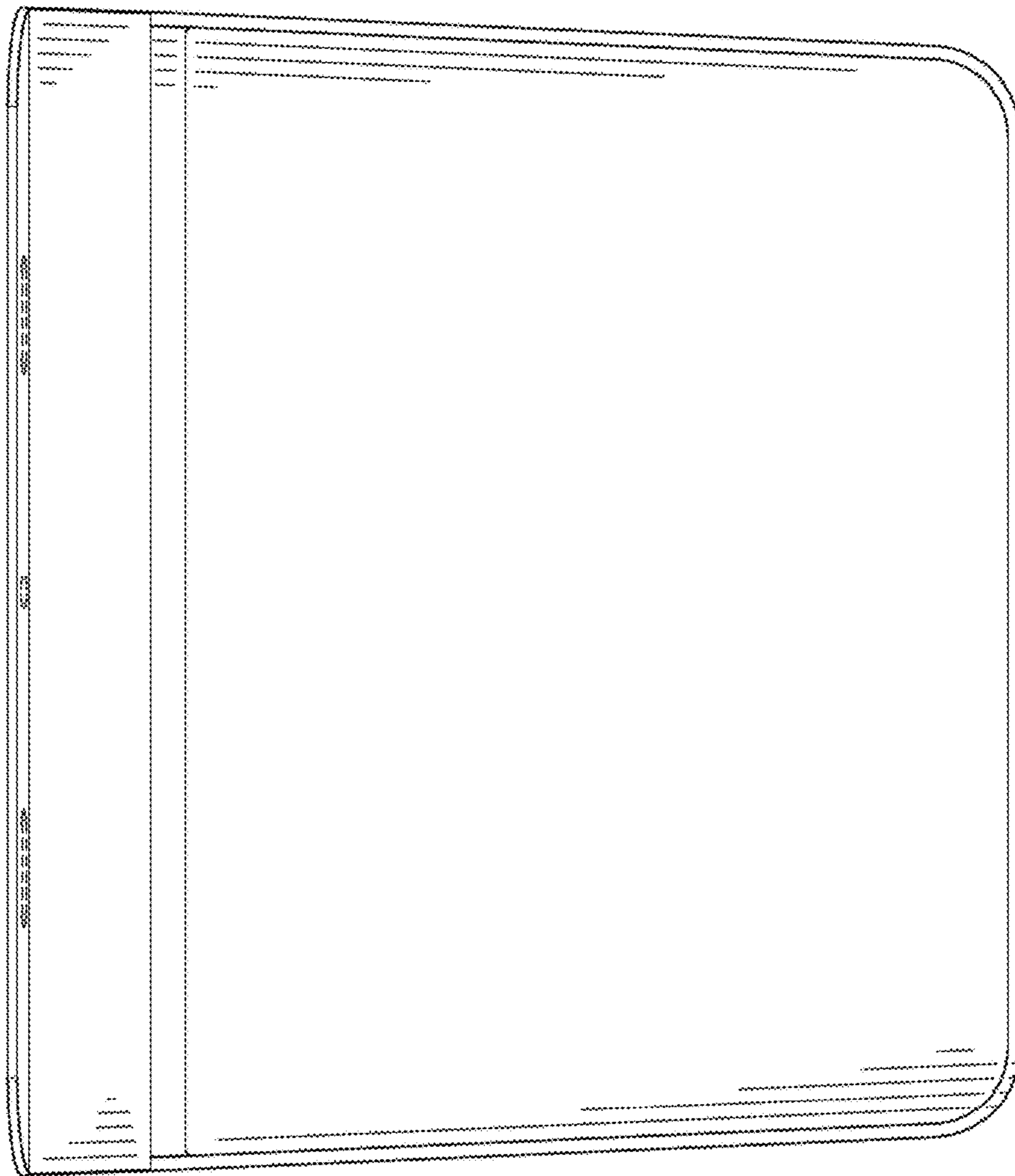


FIG. 7

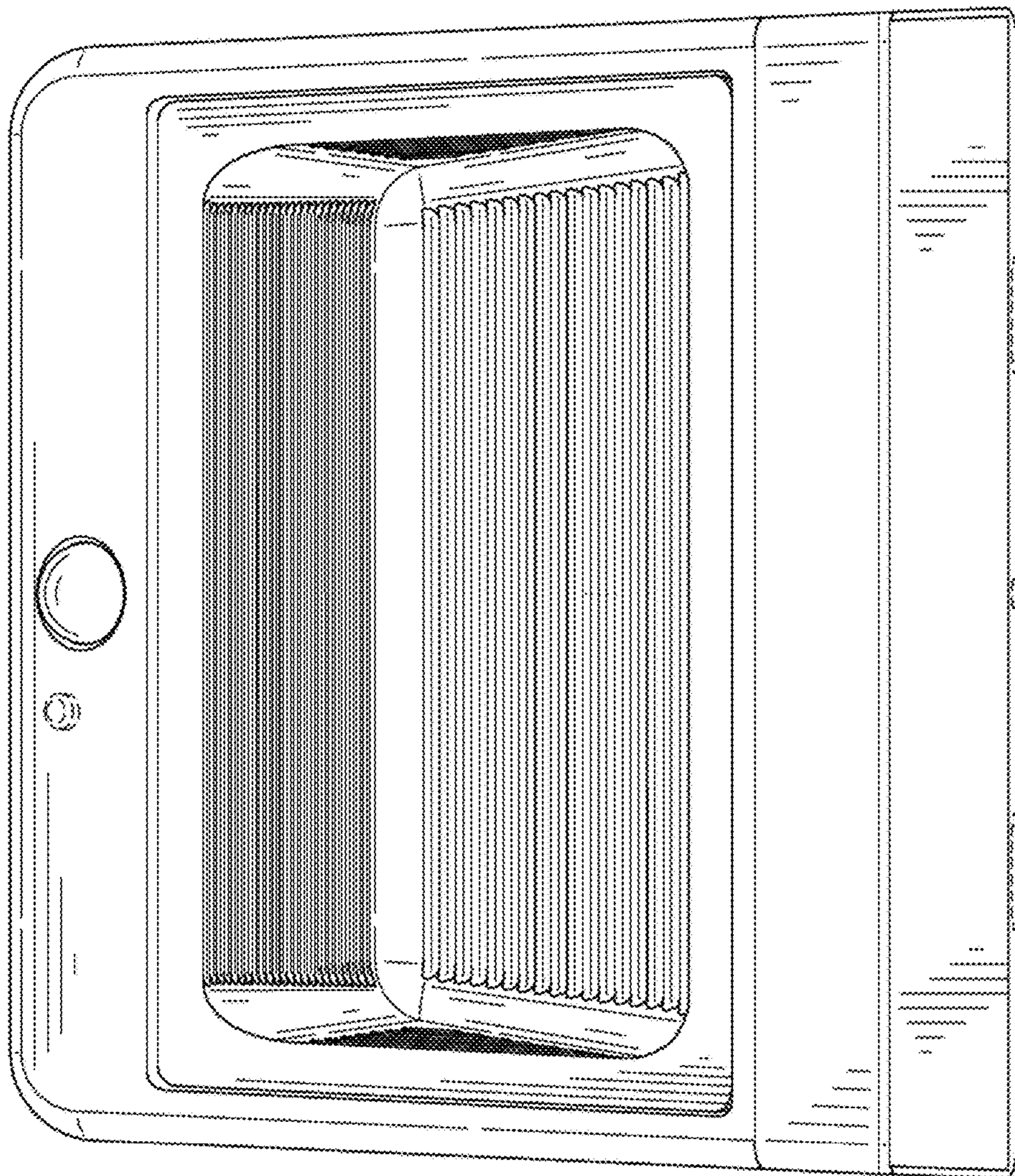


FIG. 8