

US00D864458S

(12) **United States Design Patent** (10) **Patent No.:** **US D864,458 S**  
**Liu** (45) **Date of Patent:** **\*\* Oct. 22, 2019**

(54) **SOLAR LAMP**

(56) **References Cited**

(71) Applicant: **Shenzhen Ennoplus Technology Co., Ltd.**, Shenzhen, Guangdong (CN)

U.S. PATENT DOCUMENTS

(72) Inventor: **Hangyu Liu**, Guangdong (CN)

D553,783 S *	10/2007	Loftus .....	D26/67
D776,851 S *	1/2017	Compton .....	D26/71
D825,091 S *	8/2018	Carraher .....	D26/85
D841,219 S *	2/2019	Chen .....	D26/85
2013/0308308 A1 *	11/2013	Pritchett .....	F21V 7/0075 362/184
2017/0370553 A1 *	12/2017	Demuyneck .....	F21V 3/02

(73) Assignee: **Shenzhen Ennoplus Technology Co., Ltd.**, Shenzhen (CN)

(\*\*) Term: **15 Years**

\* cited by examiner

(21) Appl. No.: **29/636,927**

*Primary Examiner* — Cathron C Brooks

(22) Filed: **Feb. 12, 2018**

(57) **CLAIM**

The ornamental design for a solar lamp, as shown and described.

(30) **Foreign Application Priority Data**

**DESCRIPTION**

Feb. 2, 2018 (CN) ..... 2018 3 0051385

(51) **LOC (12) Cl.** ..... **26-03**

(52) **U.S. Cl.**  
USPC ..... **D26/85**

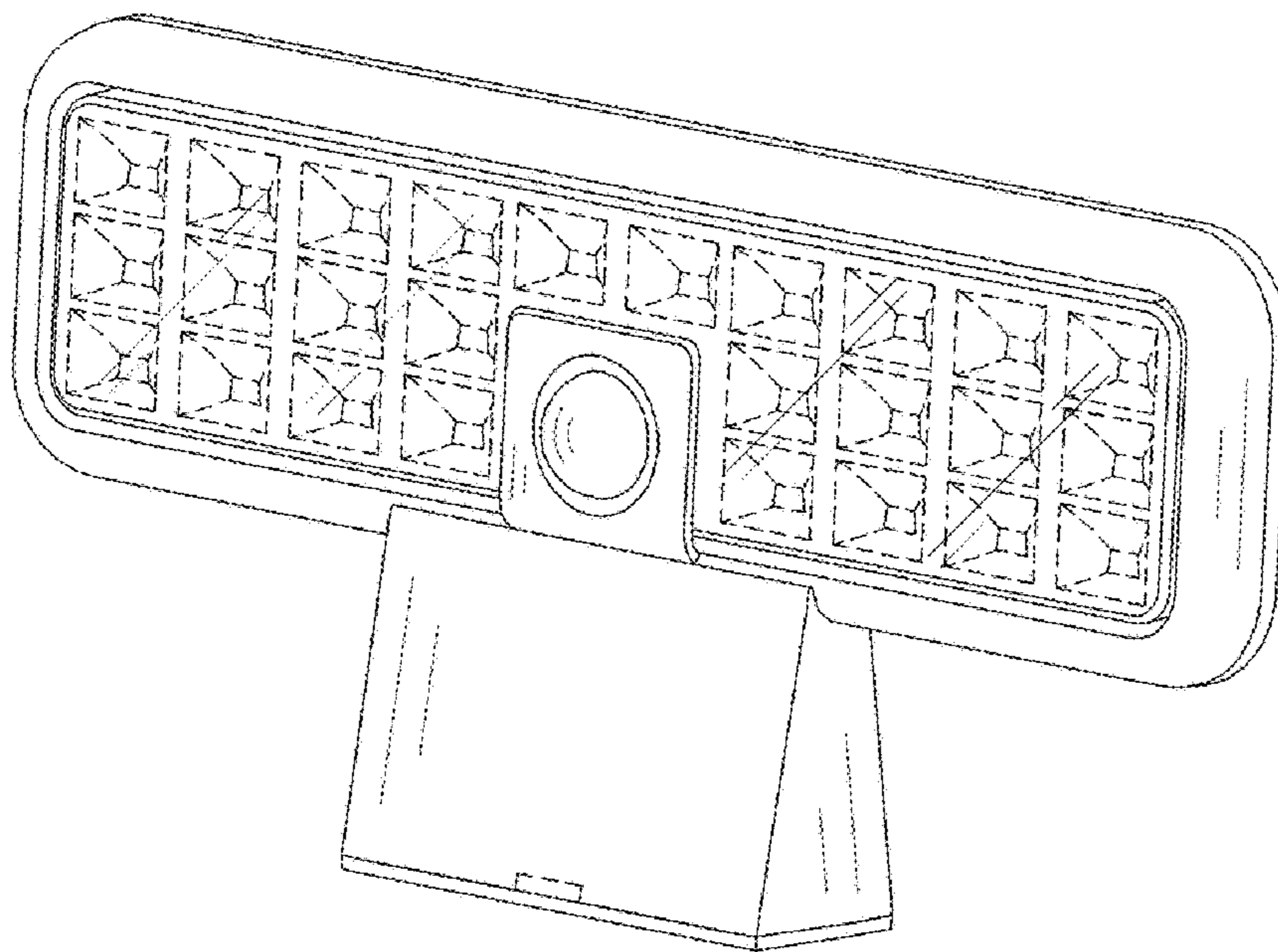
(58) **Field of Classification Search**  
USPC ..... D26/26, 67-72, 76, 80, 81, 85-88, 92,  
D26/154

CPC .... F21S 8/03; F21S 8/033; F21S 8/036; F21S  
9/022; F21S 9/03; F21S 9/032; F21S  
9/035; F21S 9/037; F21W 2131/10;  
F21W 2131/103; F21W 2131/107; F21W  
2131/109

See application file for complete search history.

FIG. 1 is a front elevational view of a solar lamp showing my new design;  
FIG. 2 is a rear elevational view thereof;  
FIG. 3 is a left side view thereof;  
FIG. 4 is a right side view thereof;  
FIG. 5 is a top plan view thereof;  
FIG. 6 is a bottom plan view thereof;  
FIG. 7 is a first perspective view thereof; and,  
FIG. 8 is a second perspective view thereof.  
The broken lines in the drawings illustrate portions of the solar lamp which form no part of the claimed design.  
The diagonal lines indicate transparency.

**1 Claim, 5 Drawing Sheets**



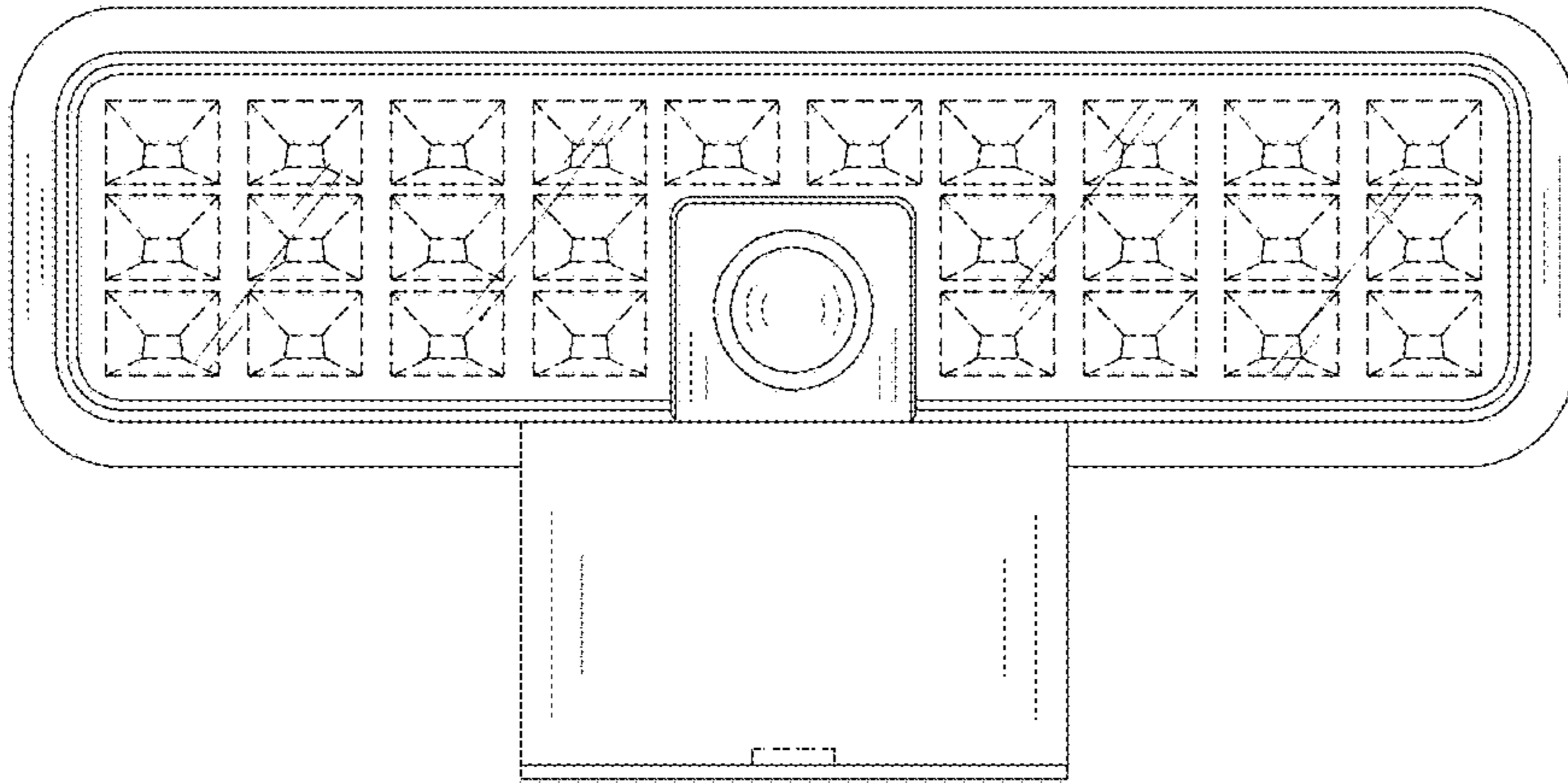


Fig.1

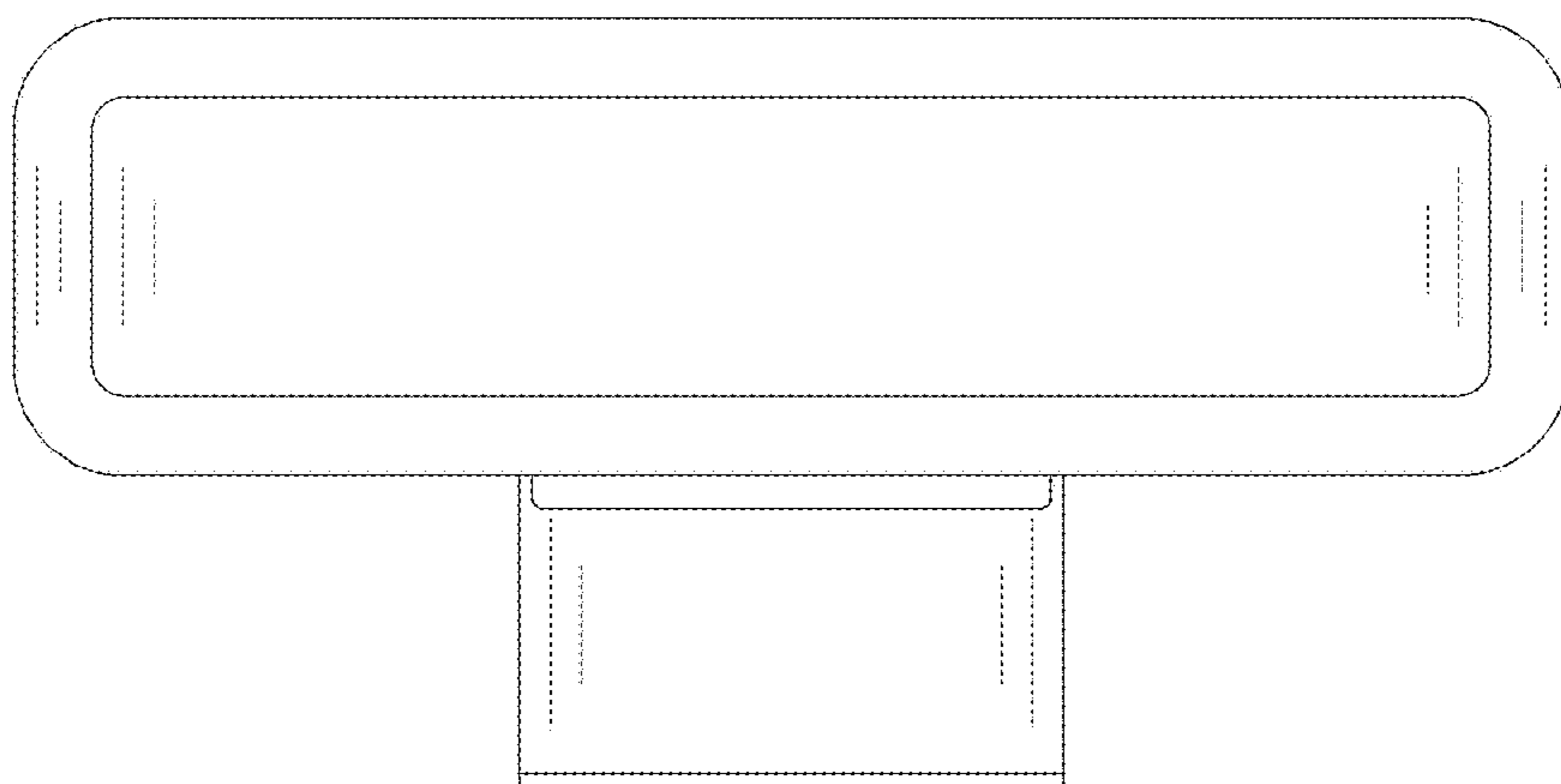


Fig.2

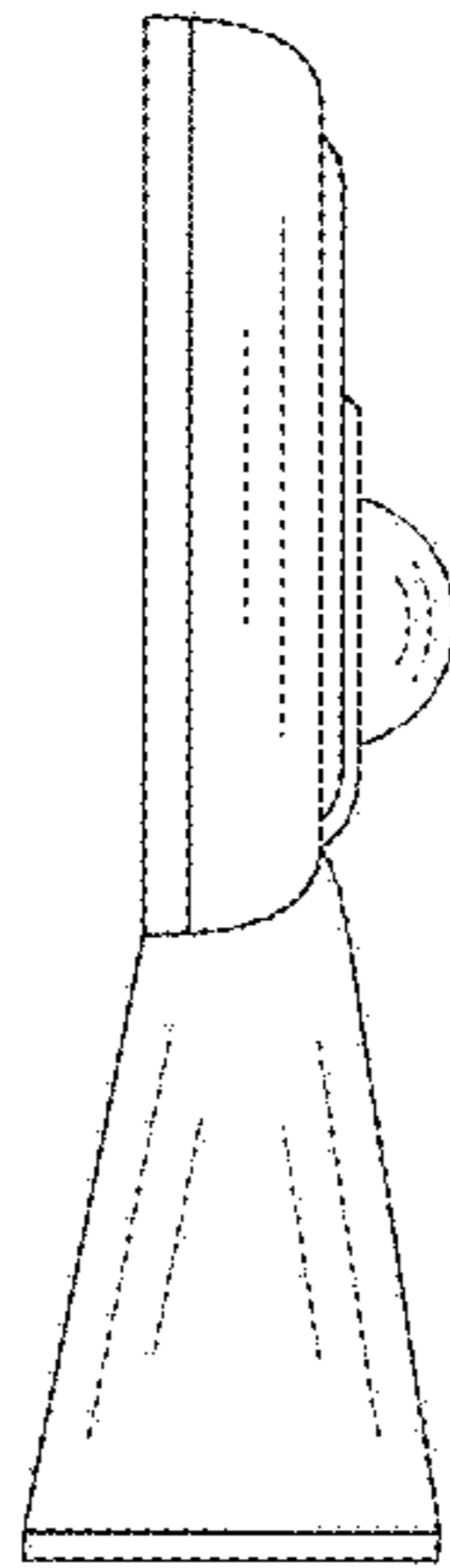


Fig. 3

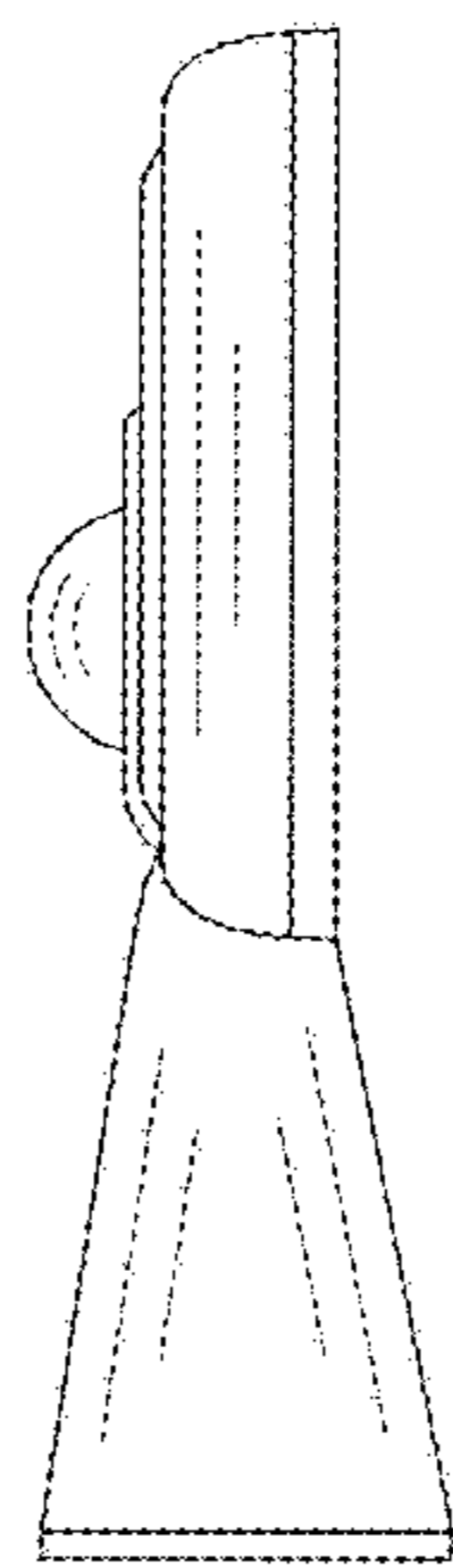


Fig. 4

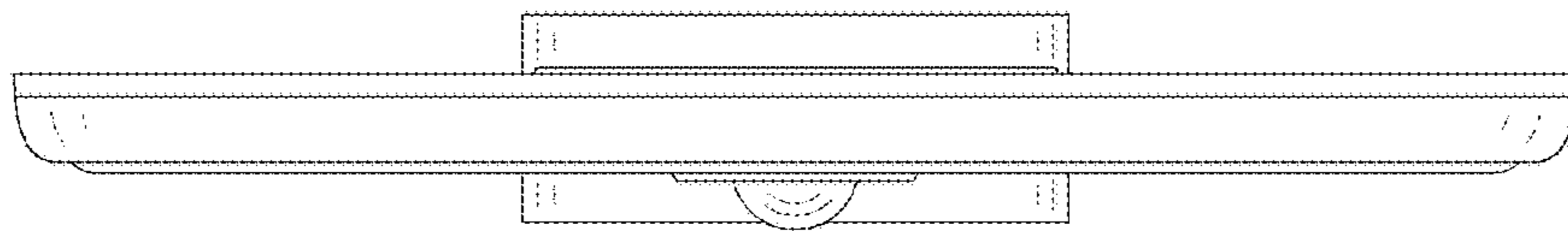


Fig. 5

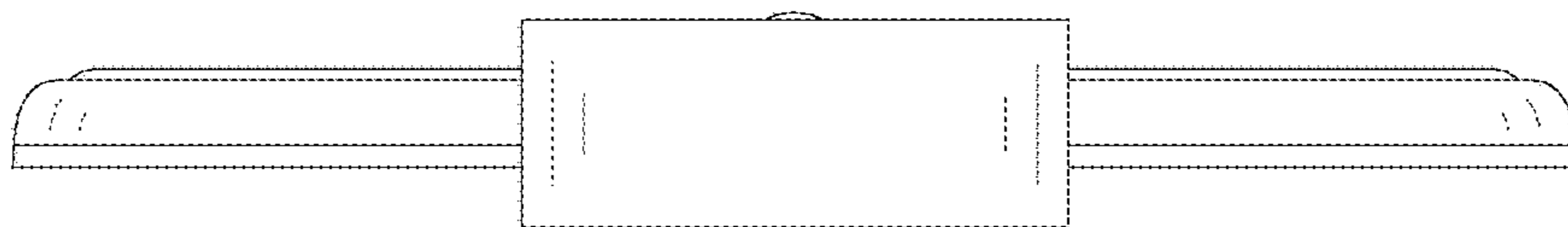


Fig. 6

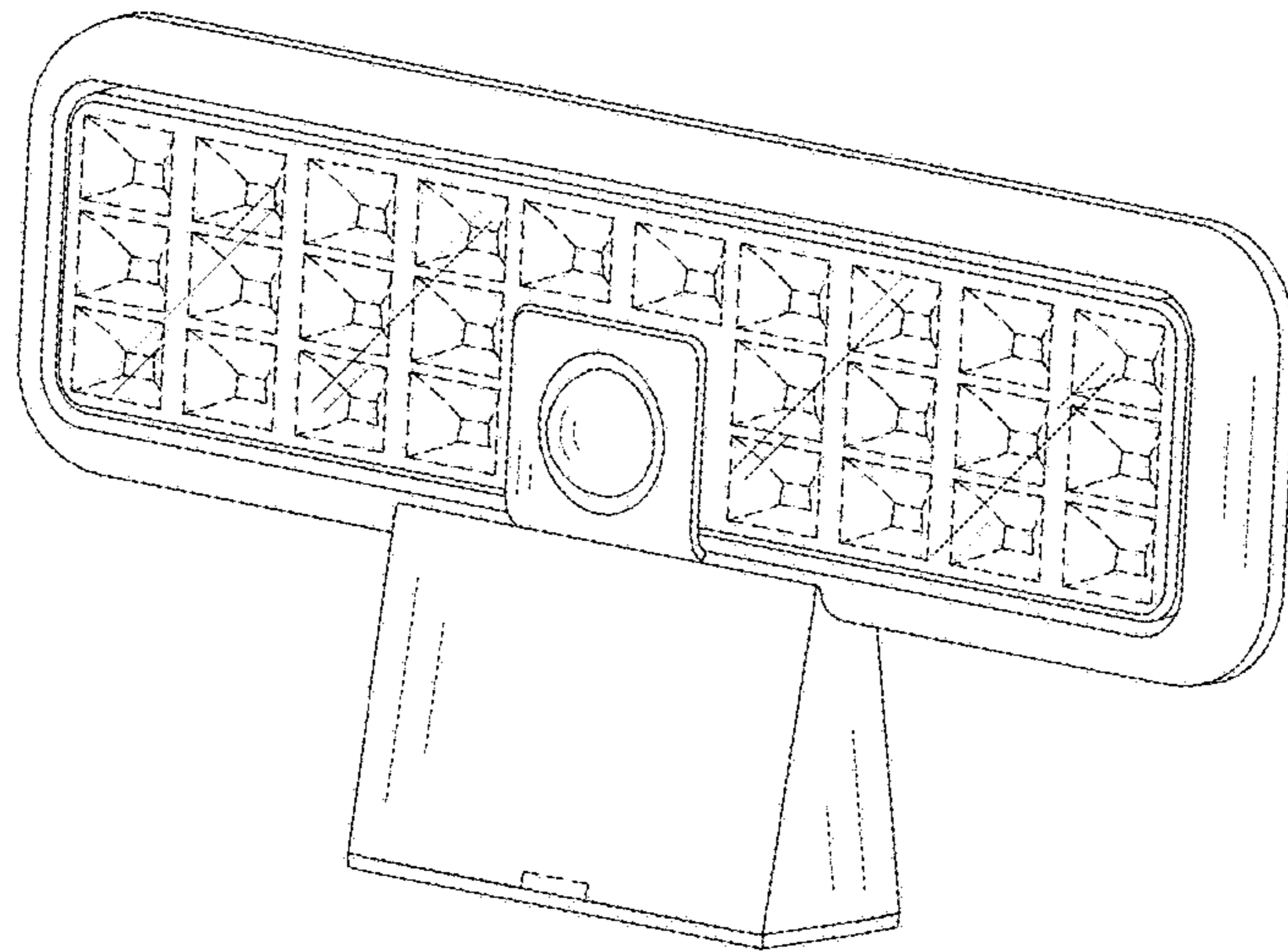


Fig. 7

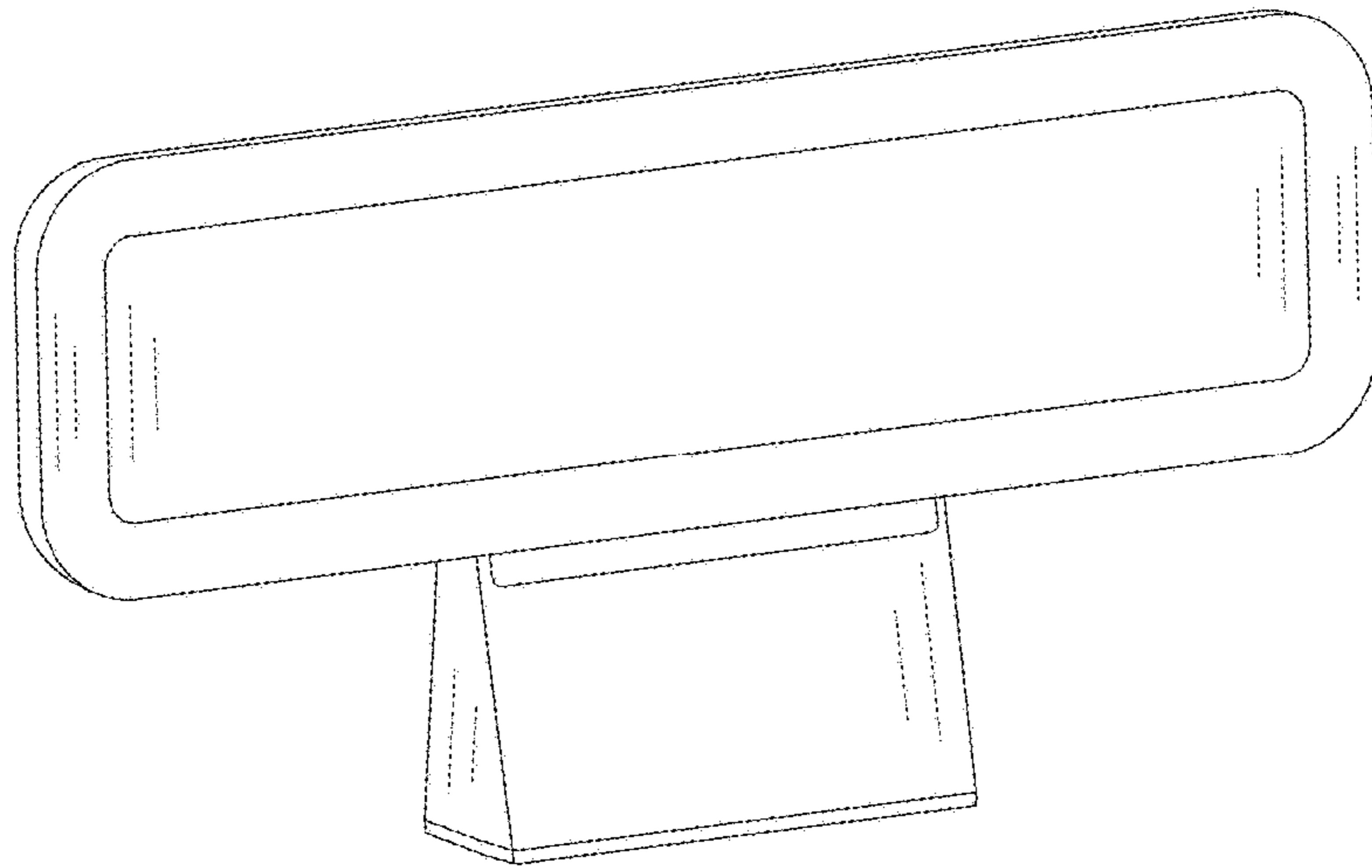


Fig. 8