

US00D864456S

(12) **United States Design Patent** (10) **Patent No.:** **US D864,456 S**  
**Lin** (45) **Date of Patent:** **\*\* Oct. 22, 2019**

(54) **VANITY LAMP**

(71) Applicant: **MeiLan Lin**, Guangdong (CN)

(72) Inventor: **MeiLan Lin**, Guangdong (CN)

(\*\*) Term: **15 Years**

(21) Appl. No.: **29/699,023**

(22) Filed: **Jul. 23, 2019**

(51) **LOC (12) Cl.** ..... **26-04**

(52) **U.S. Cl.**  
USPC ..... **D26/76**

(58) **Field of Classification Search**  
USPC ..... D26/72, 74, 76, 78-83, 85, 86, 88, 90,  
D26/93, 111, 113, 118, 119, 120, 121,  
D26/122, 138, 139, 140, 141, 142, 152  
CPC ..... F21S 2/00; F21S 4/00; F21S 4/003; F21S  
4/005; F21S 4/006; F21S 4/007; F21S  
4/008; F21S 6/00; F21S 8/00; F21S  
8/024; F21S 8/026; F21S 8/031; F21S  
8/033; F21S 8/035-037; F21S 8/04; F21S  
8/043; F21S 8/063

See application file for complete search history.

(56) **References Cited**

**U.S. PATENT DOCUMENTS**

D113,125 S *	1/1939	Stewart	.....	D26/76
D127,379 S *	5/1941	Parisson	.....	D26/76
D291,928 S *	9/1987	Morten	.....	D26/76
D411,030 S	6/1999	Chen		
D430,328 S	8/2000	Gilardi		
D472,007 S *	3/2003	Weitgasser	.....	D26/76

D497,448 S *	10/2004	Kuebler	.....	D26/78
D511,222 S *	11/2005	Hetfield	.....	D26/76
D536,819 S *	2/2007	Krahe, II	.....	D26/75
D624,229 S *	9/2010	Adolph	.....	D26/76
D695,443 S *	12/2013	Kaule	.....	D26/76
D744,691 S *	12/2015	Kitts	.....	D26/85
D764,092 S *	8/2016	Cai	.....	D26/76
D782,099 S *	3/2017	Orozco	.....	D26/85
D808,566 S *	1/2018	Goetz-Schaefer	.....	D26/76
D818,626 S *	5/2018	Park	.....	D26/76
D825,815 S *	8/2018	Sonneman	.....	D26/87
D830,609 S *	10/2018	Sonneman	.....	D26/87
D835,324 S *	12/2018	Haubach	.....	D26/86
D844,880 S *	4/2019	Zeng	.....	D26/76

\* cited by examiner

*Primary Examiner* — Natasha Vujcic

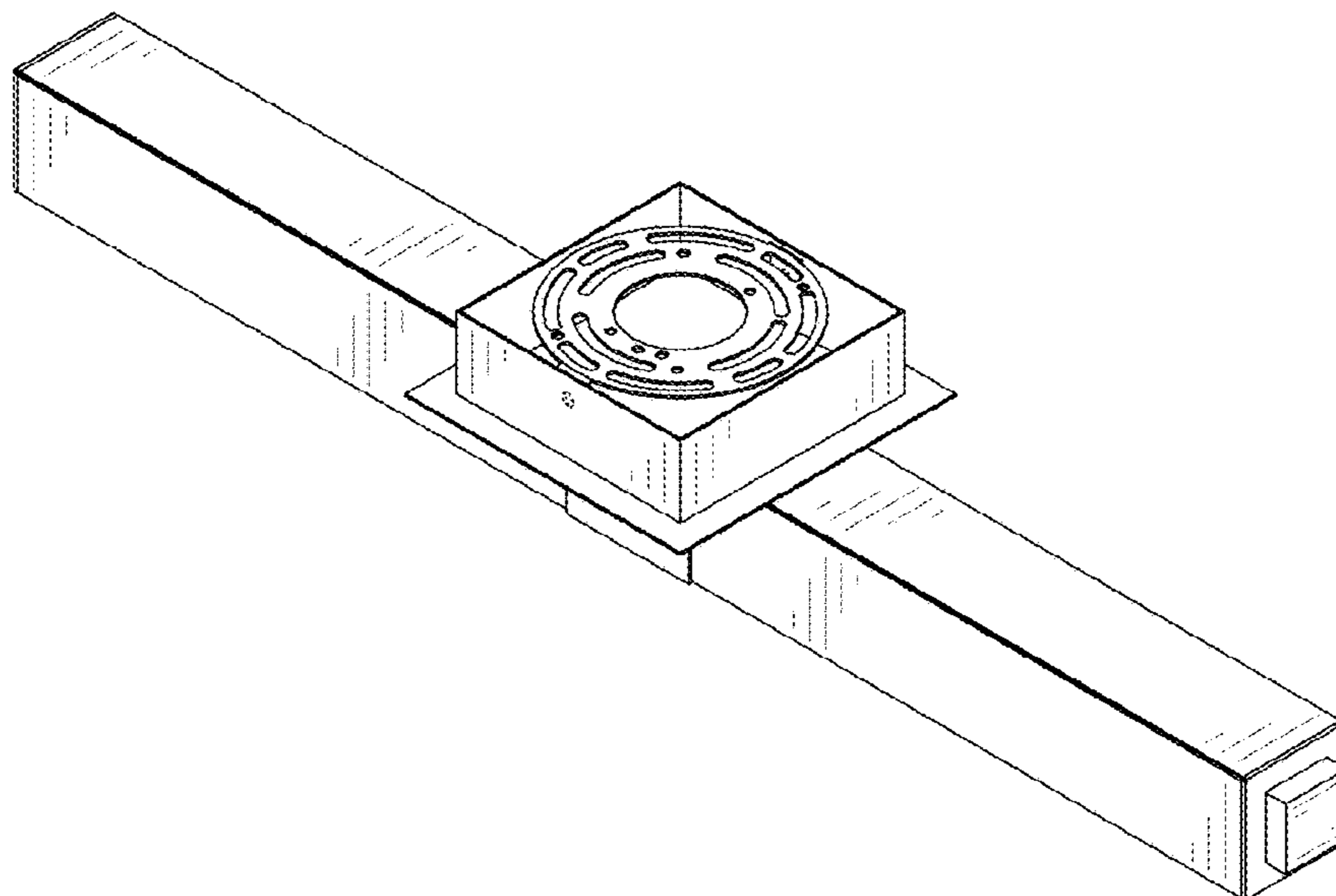
(57) **CLAIM**

The ornamental design for a vanity lamp, as shown and described.

**DESCRIPTION**

FIG. 1 is a front perspective view of a vanity lamp showing my new design;  
FIG. 2 is a back perspective view thereof;  
FIG. 3 is a front view thereof;  
FIG. 4 is a back view thereof;  
FIG. 5 is a left side view thereof;  
FIG. 6 is a right side view thereof;  
FIG. 7 is a top view thereof; and,  
FIG. 8 is a bottom view thereof.  
The broken lines in the figures illustrate portions of the vanity lamp that form no part of the claimed design.

**1 Claim, 8 Drawing Sheets**



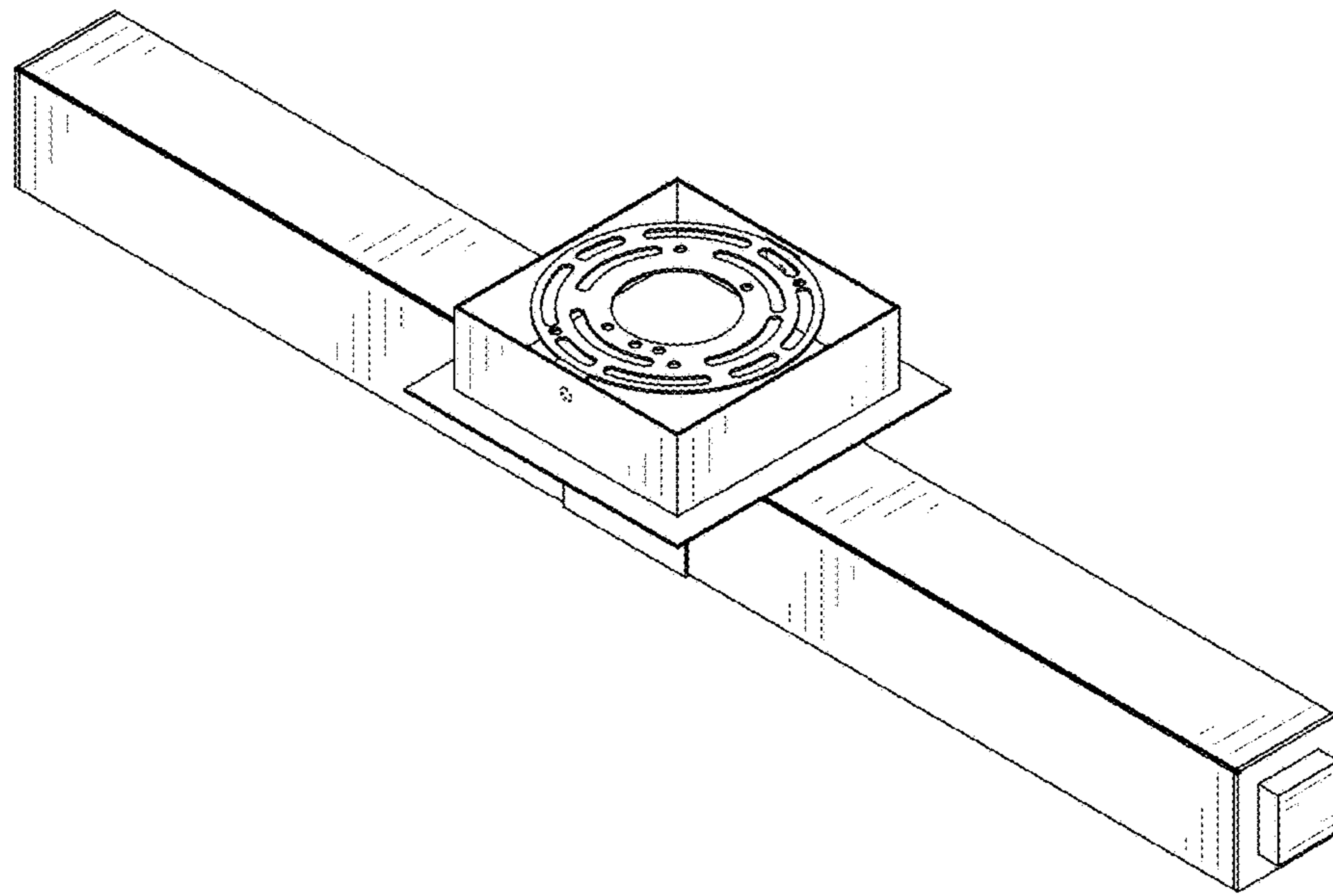


FIG. 1

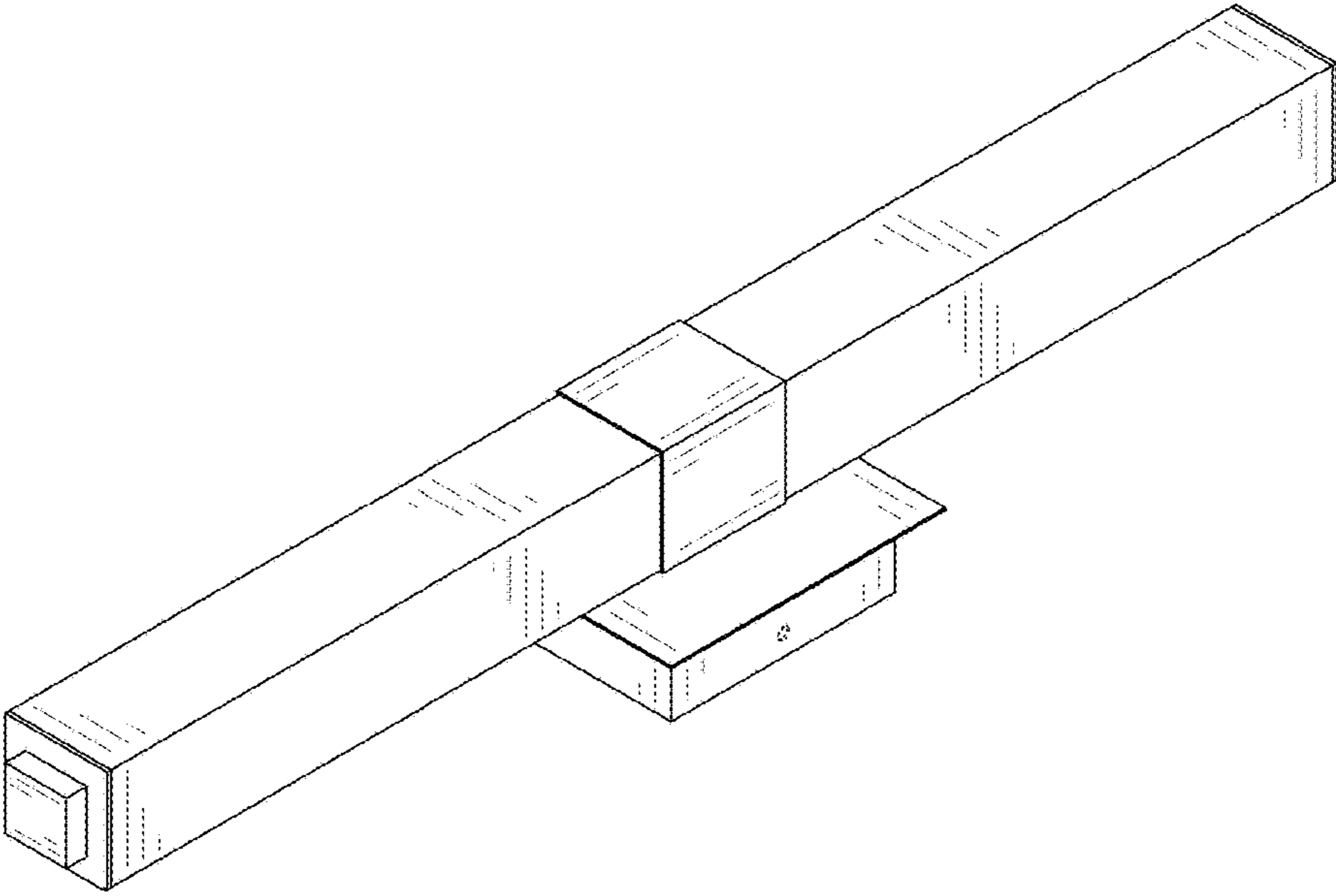


FIG. 2

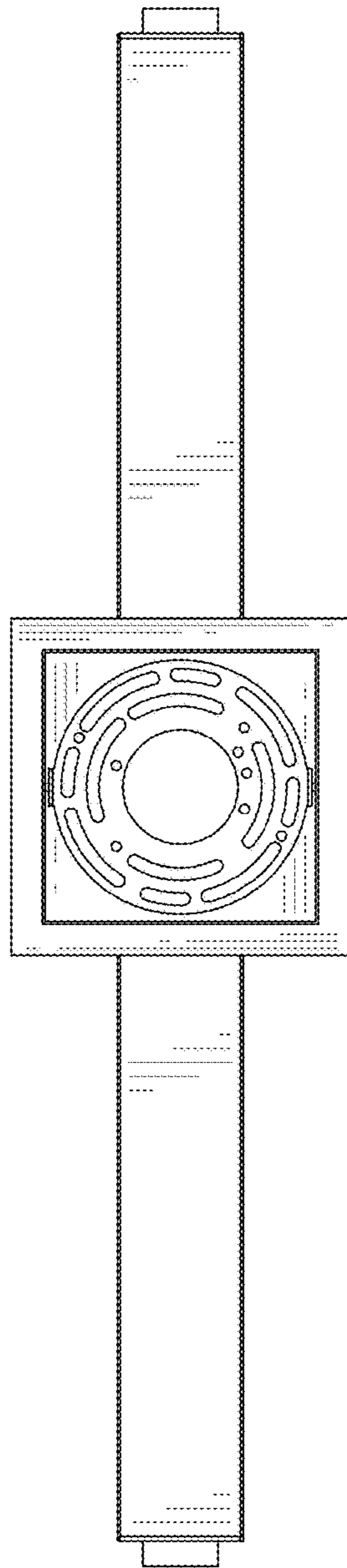


FIG. 3

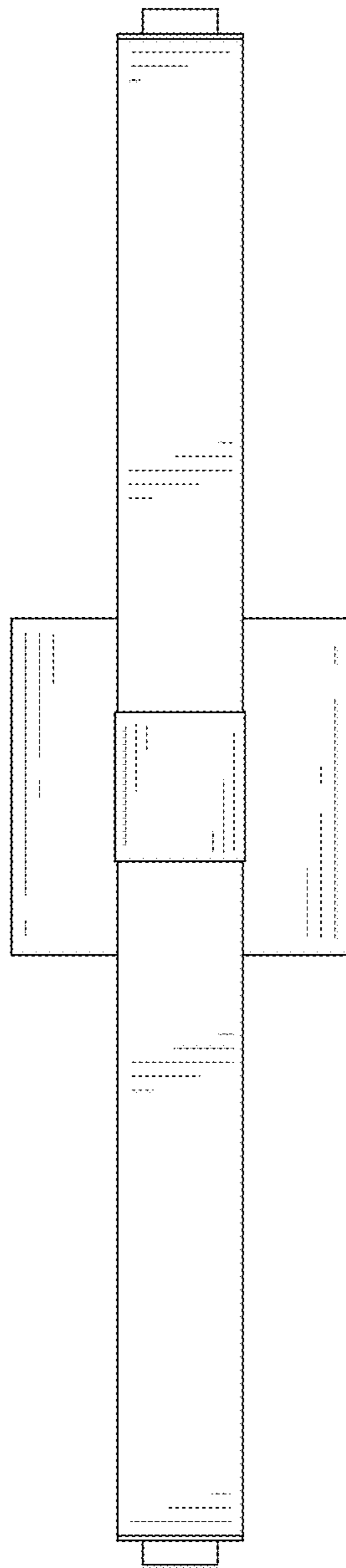


FIG. 4

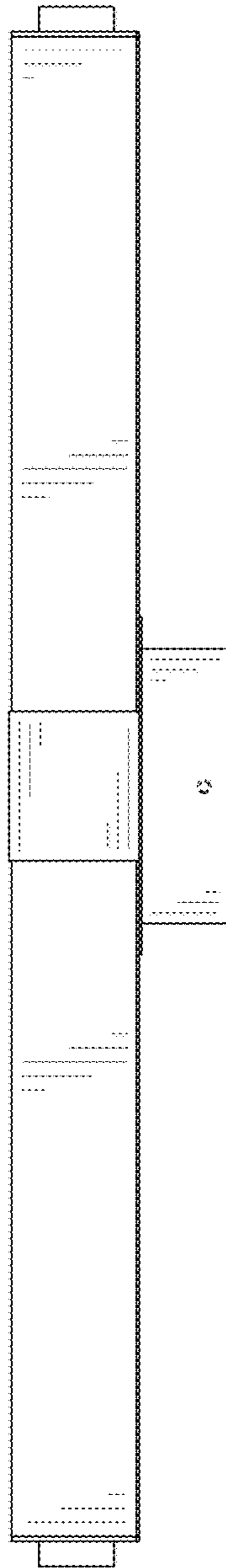


FIG. 5

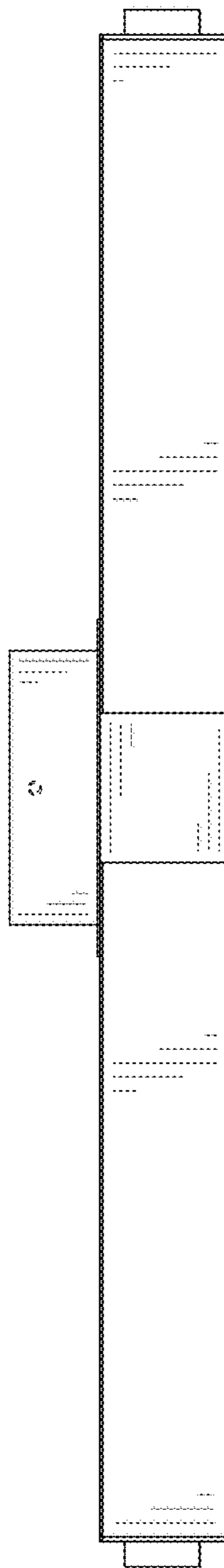


FIG. 6

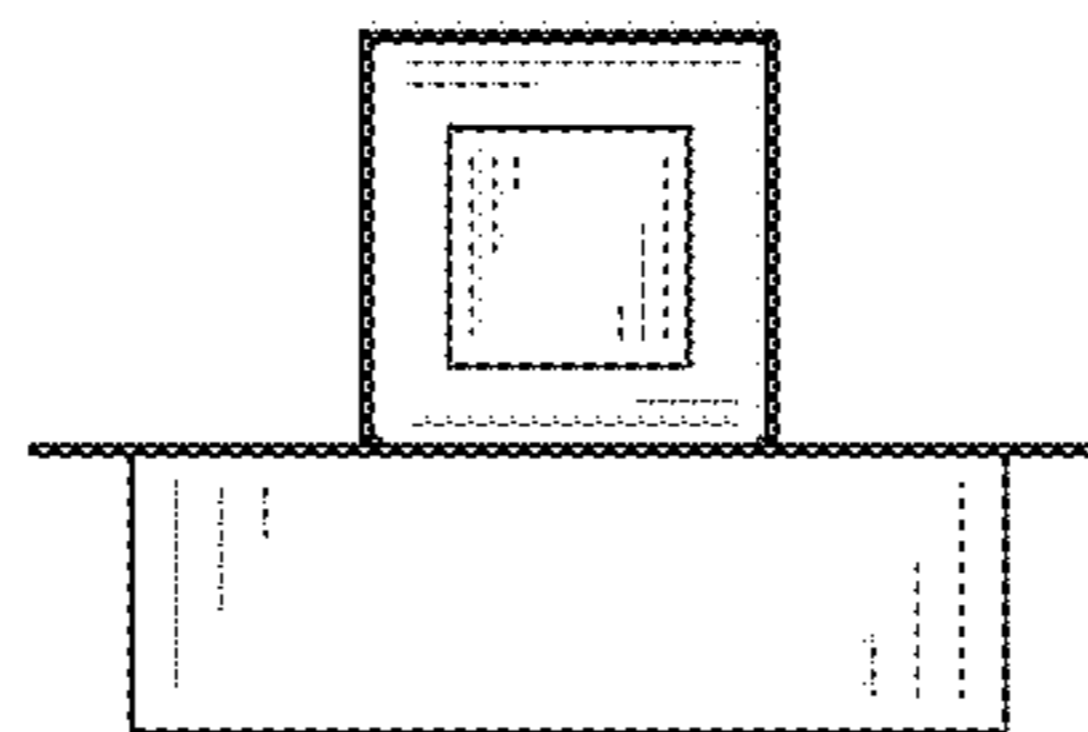


FIG. 7



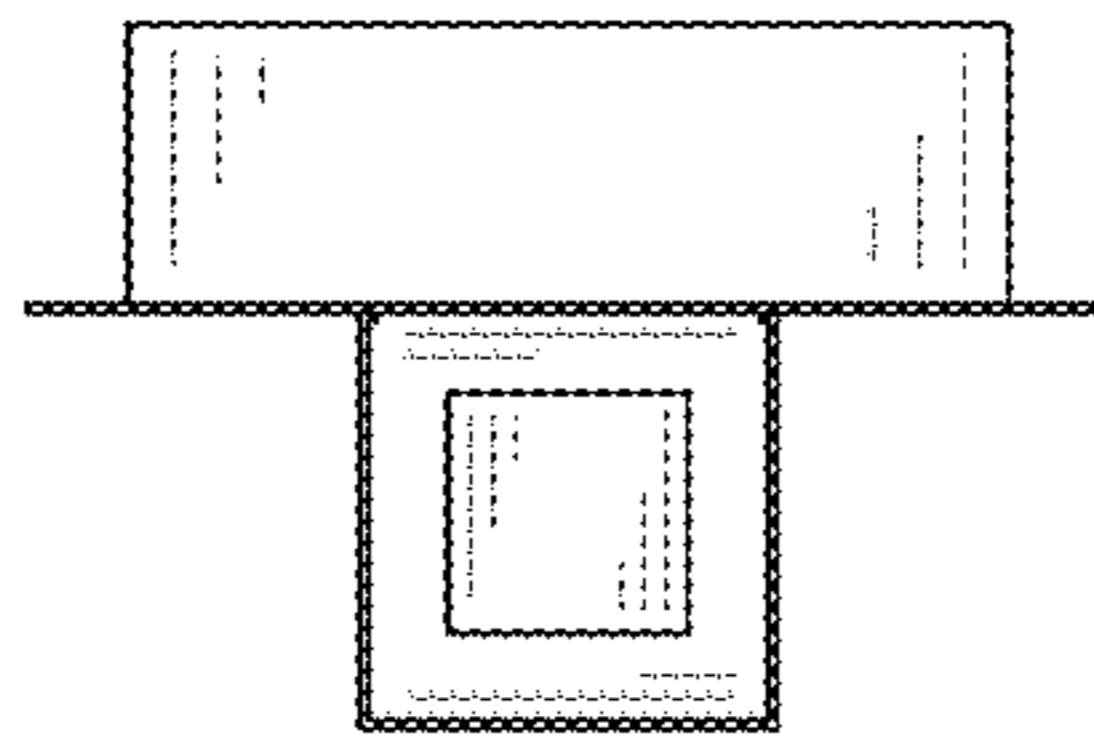


FIG. 8