

US00D864453S

(12) **United States Design Patent** (10) **Patent No.:** **US D864,453 S**
Van Roosmalen et al. (45) **Date of Patent:** **** Oct. 22, 2019**

(54) **LUMINAIRE**
(71) Applicant: **SIGNIFY HOLDING B.V.**, Eindhoven (NL)
(72) Inventors: **Jozef Willebrordus Van Roosmalen**, Rotterdam (NL); **Jaroslav Szatrawski**, Ketrzyn (PL)
(73) Assignee: **SIGNIFY HOLDING B.V.**, Eindhoven (NL)
(**) Term: **15 Years**

D656,659 S * 3/2012 Kong D26/113
D657,485 S * 4/2012 Kong D26/71
D665,526 S * 8/2012 Kong D26/113
D678,580 S * 3/2013 Rizzi D26/71
D711,034 S * 8/2014 Sturgis D26/71
D823,517 S * 7/2018 Ladewig D26/71
2004/0095773 A1 * 5/2004 Gaskins F21V 21/116
362/370
2009/0086491 A1 * 4/2009 Ruud F21S 8/086
362/294
2011/0222284 A1 * 9/2011 Kong F21S 8/086
362/249.02
2012/0057340 A1 * 3/2012 Rami F21S 8/086
362/231
2014/0268764 A1 * 9/2014 Stolte F21V 13/04
362/245

(21) Appl. No.: **29/642,763**
(22) Filed: **Apr. 2, 2018**

* cited by examiner

(30) **Foreign Application Priority Data**

Primary Examiner — Clare E Heflin

Mar. 14, 2018 (EM) 004755569-0002

(74) *Attorney, Agent, or Firm* — Daniel J. Piotrowski

(51) **LOC (12) Cl.** **26-05**

(57) **CLAIM**

(52) **U.S. Cl.**
USPC **D26/71**

The ornamental design for a “luminaire”, as shown and described.

(58) **Field of Classification Search**
USPC D26/67–71, 92, 118
CPC F21S 8/033; F21S 8/036; F21S 8/08; F21S 8/081; F21S 8/085; F21S 8/086; F21S 6/003; F21W 2131/1005; F21W 2131/103; F21W 2131/107; F21W 2131/109

DESCRIPTION

See application file for complete search history.

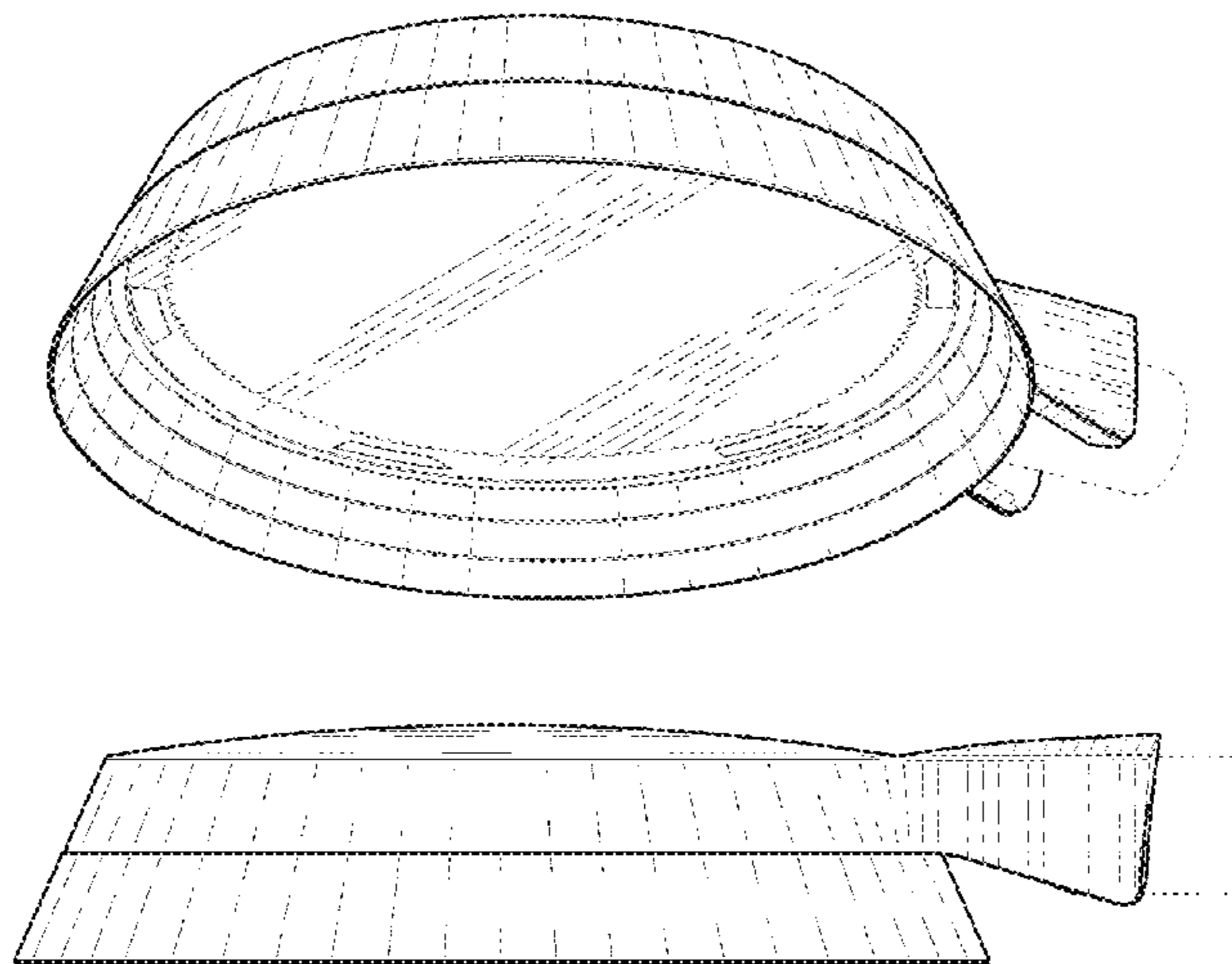
FIG. 1 is a perspective view showing my design; FIG. 2 is a front elevational view thereof; FIG. 3 is a rear elevational view thereof; FIG. 4 is a right side elevational view thereof; FIG. 5 is a left side elevational view thereof; FIG. 6 is a top plan view thereof; and, FIG. 7 is a bottom plan view thereof. The broken lines shown on the drawings depict environment only and form no part of the claimed design.

(56) **References Cited**

U.S. PATENT DOCUMENTS

1 Claim, 4 Drawing Sheets

D266,958 S * 11/1982 Gernhardt D26/92
D451,227 S * 11/2001 Orellana D26/67



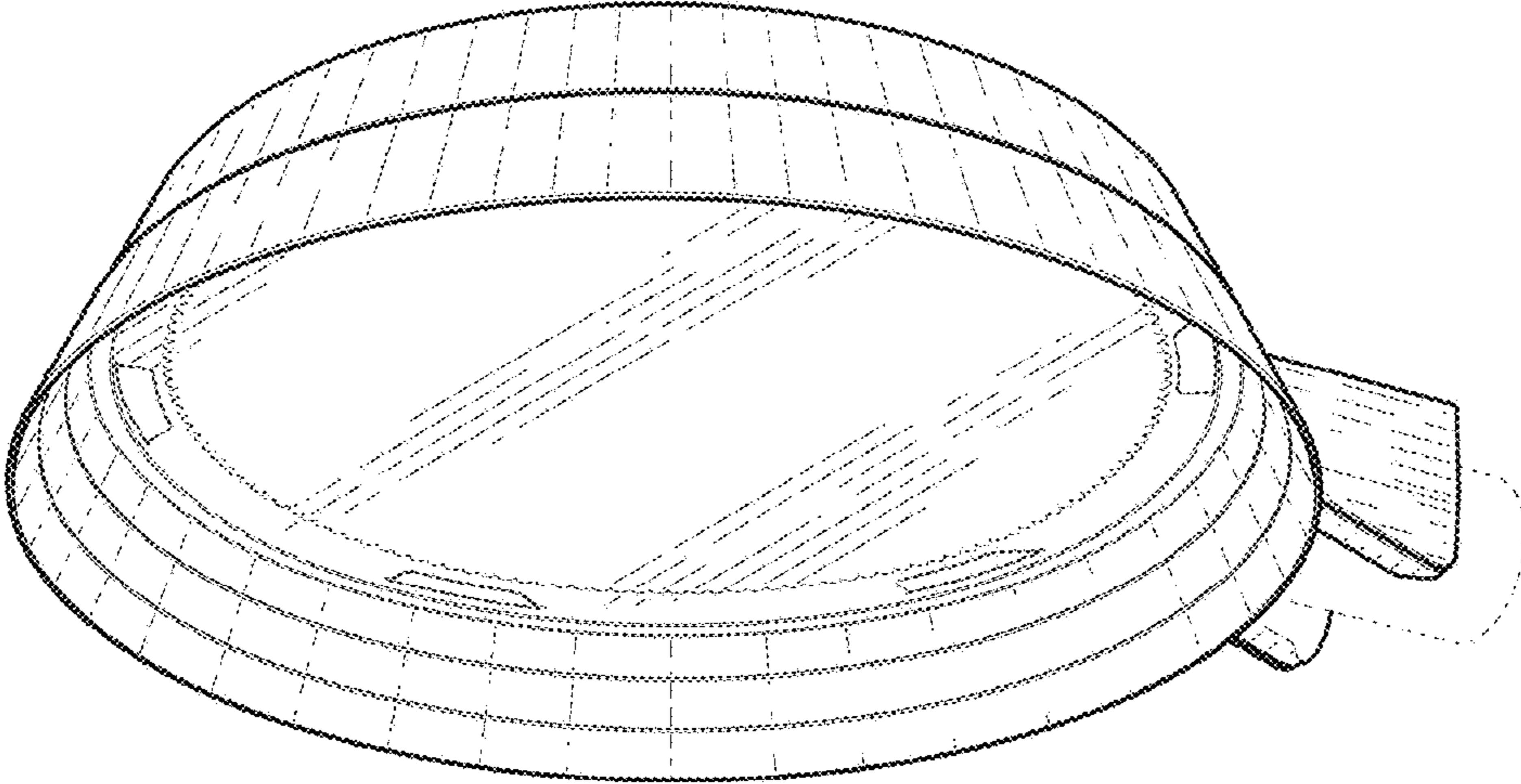


FIG. 1

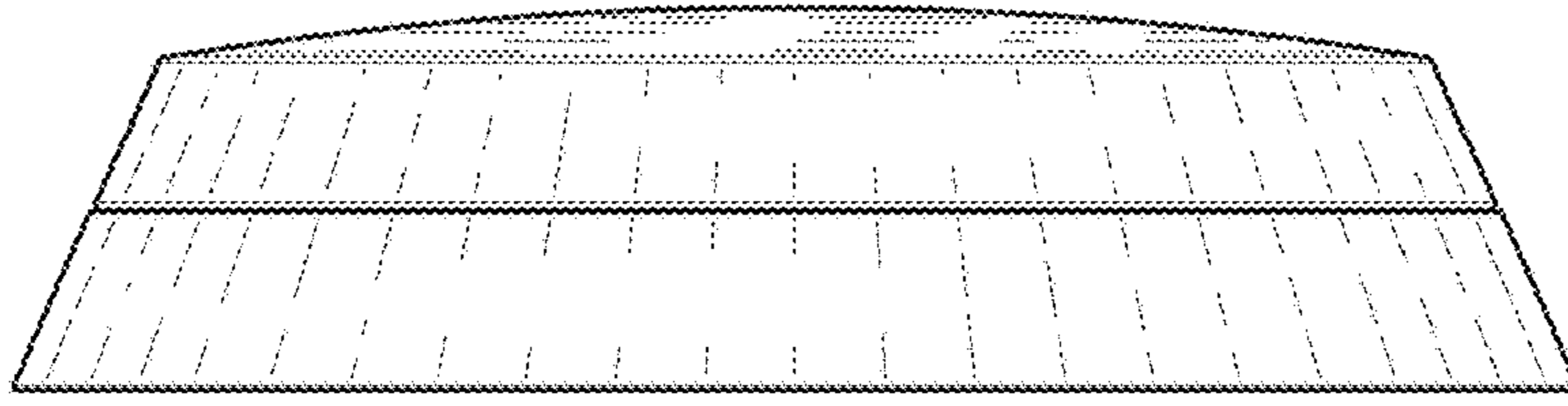


FIG. 2

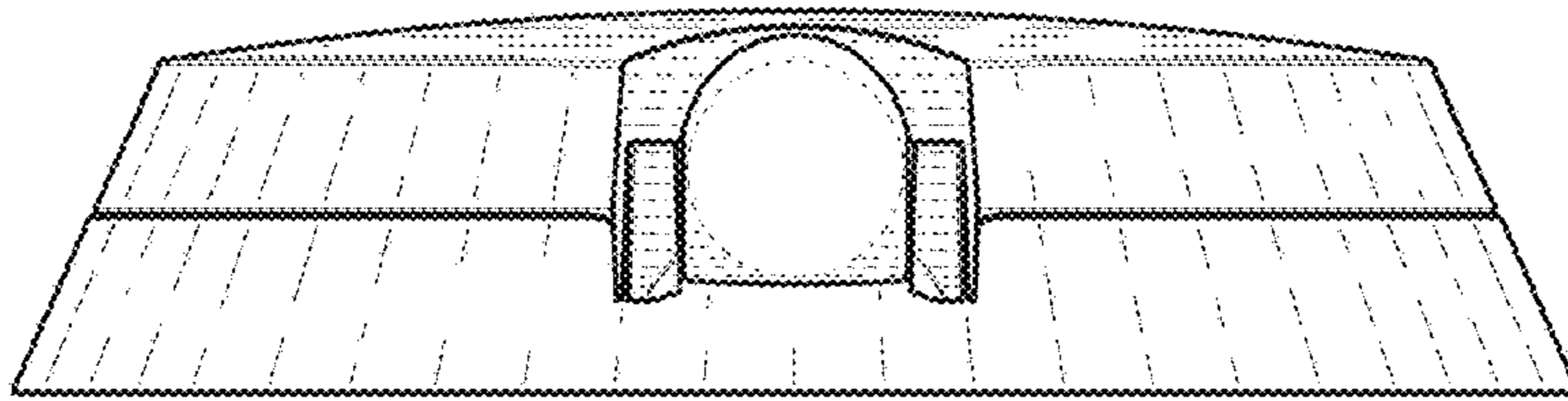


FIG. 3

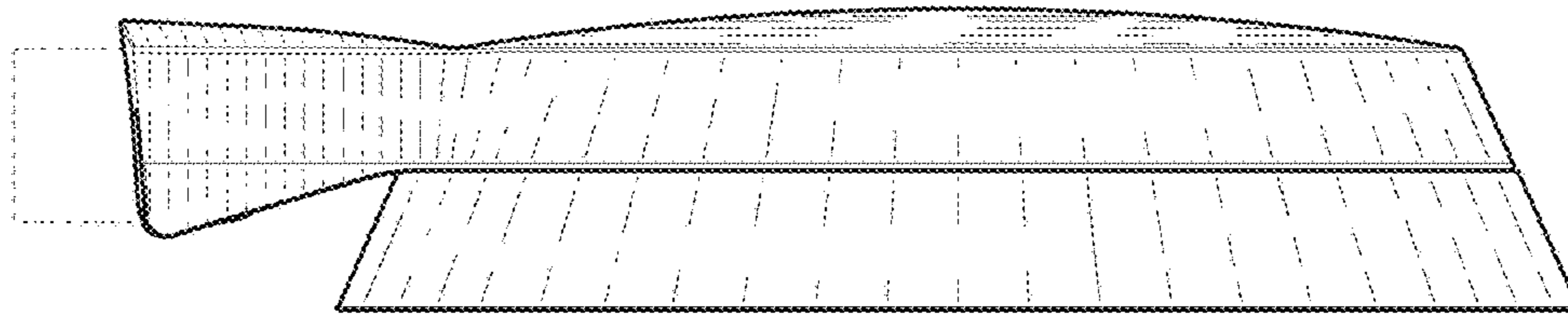


FIG. 4

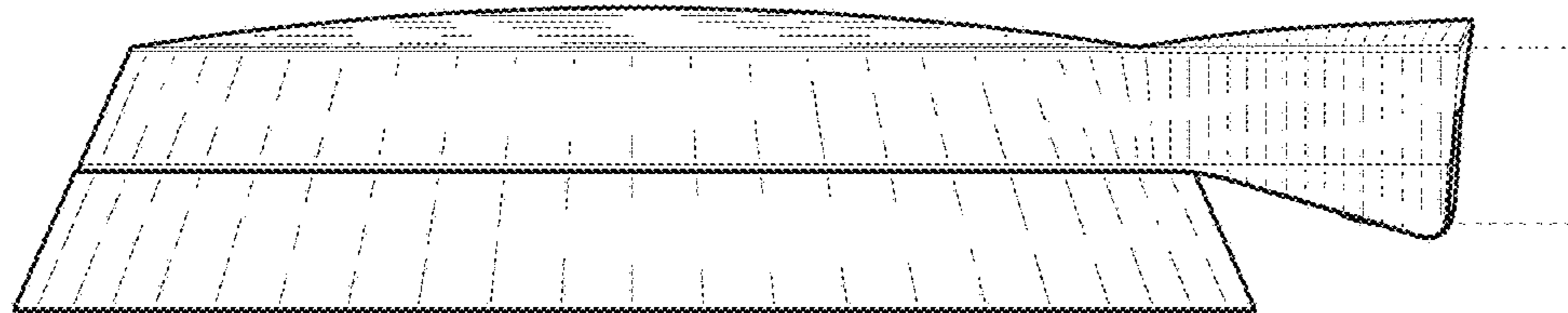


FIG. 5

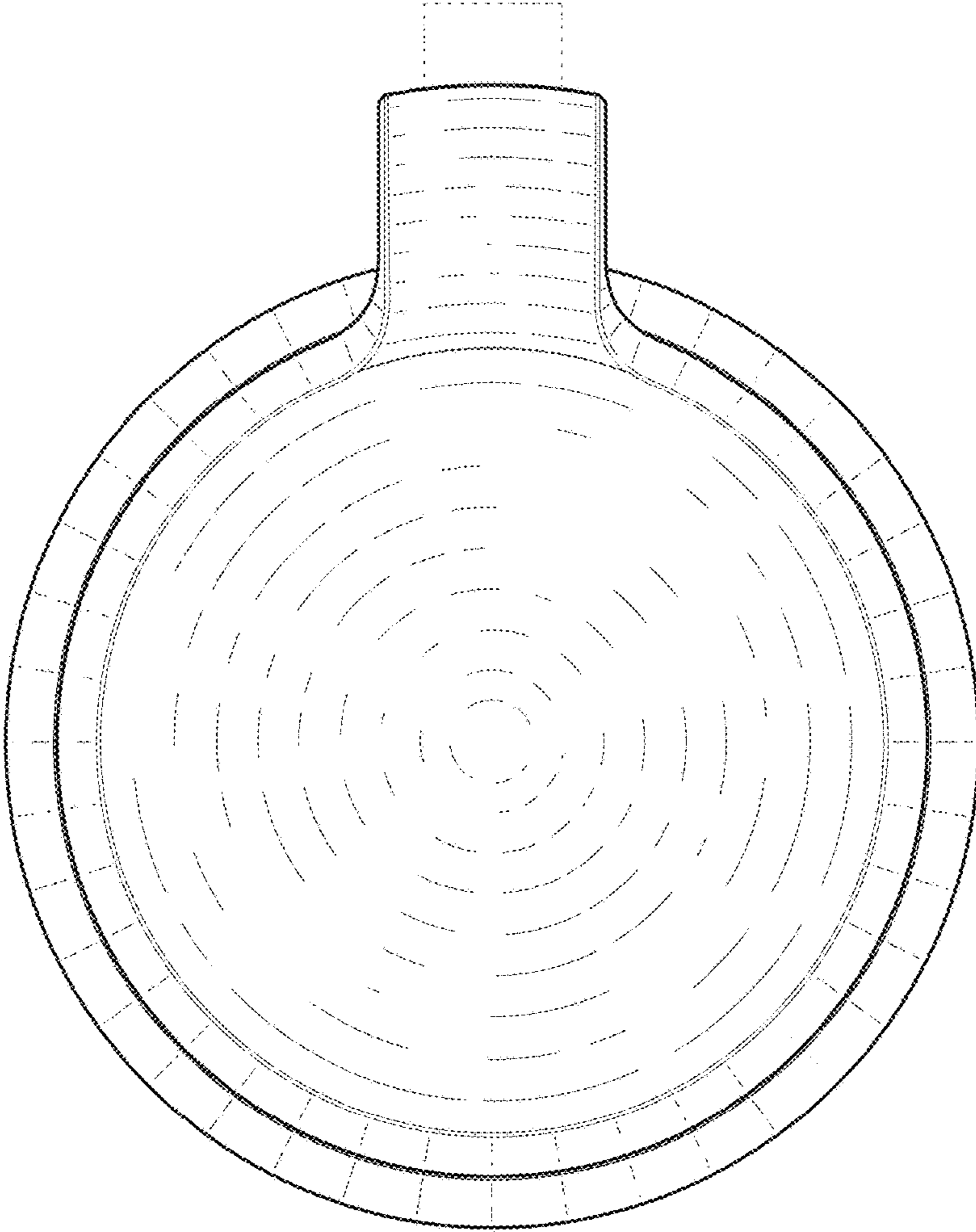


FIG. 6

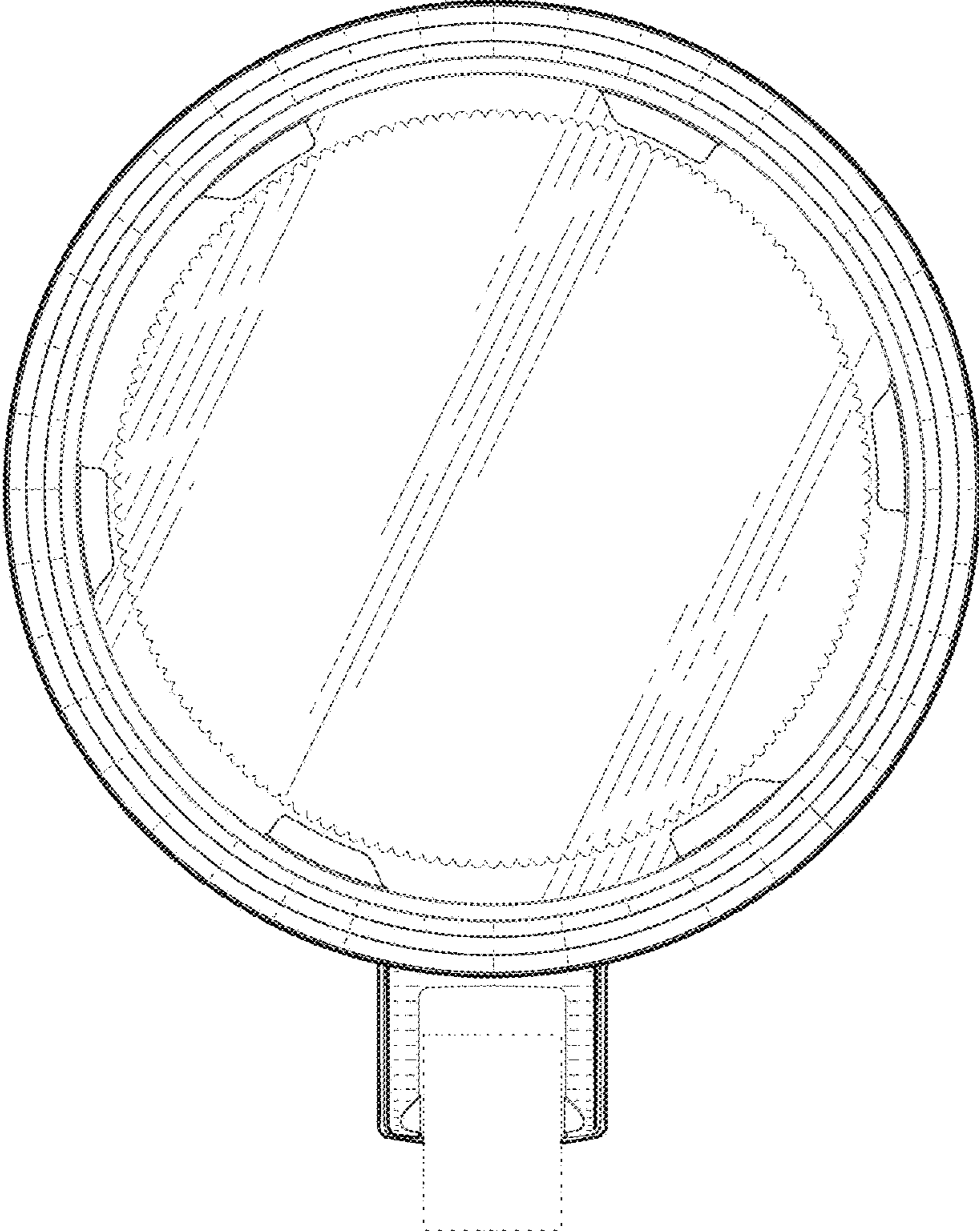


FIG. 7