

US00D864452S

(12) **United States Design Patent** (10) **Patent No.:** **US D864,452 S**  
**Wei** (45) **Date of Patent:** **\*\* Oct. 22, 2019**

- (54) **OUTDOOR LIGHT**
- (71) Applicant: **E. MISHAN & SONS, INC.**, New York, NY (US)
- (72) Inventor: **Zhang Wei**, Zhejiang Province (CN)
- (73) Assignee: **E. Mishan & Sons, Inc.**, New York, NY (US)
- (\*\*) Term: **15 Years**
- (21) Appl. No.: **29/638,706**
- (22) Filed: **Feb. 28, 2018**
- (51) **LOC (12) Cl.** ..... **26-03**
- (52) **U.S. Cl.**  
USPC ..... **D26/67**
- (58) **Field of Classification Search**  
USPC ..... D26/8, 67-70  
CPC .... F21S 8/006; F21S 8/08; F21S 8/081; F21S 8/083; F21S 8/032; F21S 8/033; F21S 9/03; F21S 9/032; F21S 9/035; F21S 9/037; F21W 2131/109; F21W 2111/02; F21W 2111/023; F21V 21/0824  
See application file for complete search history.

6,729,742 B2 5/2004 Wismeth  
 D494,536 S 8/2004 Pu  
 D517,717 S 3/2006 Sanoner  
 D517,719 S 3/2006 Sanoner  
 7,029,144 B2 4/2006 Fu  
 7,172,307 B2 2/2007 Izardel  
 7,196,477 B2 3/2007 Richmond  
 D551,791 S 9/2007 Sanoner  
 D555,278 S 11/2007 Sanoner  
 (Continued)

**OTHER PUBLICATIONS**

Dec. 5, 2017 “Wenjuan 8 LED Solar Power Buried Light Ground Lamp Outdoor Path Way Garden Decking” [<https://www.amazon.com/Wenjuan-Buried-Ground-Outdoor-Decking/dp/B077Z4QT5L/>].

(Continued)

*Primary Examiner* — Cathron C Brooks  
 (74) *Attorney, Agent, or Firm* — Notaro, Michalos & Zaccaria P.C.

(57) **CLAIM**

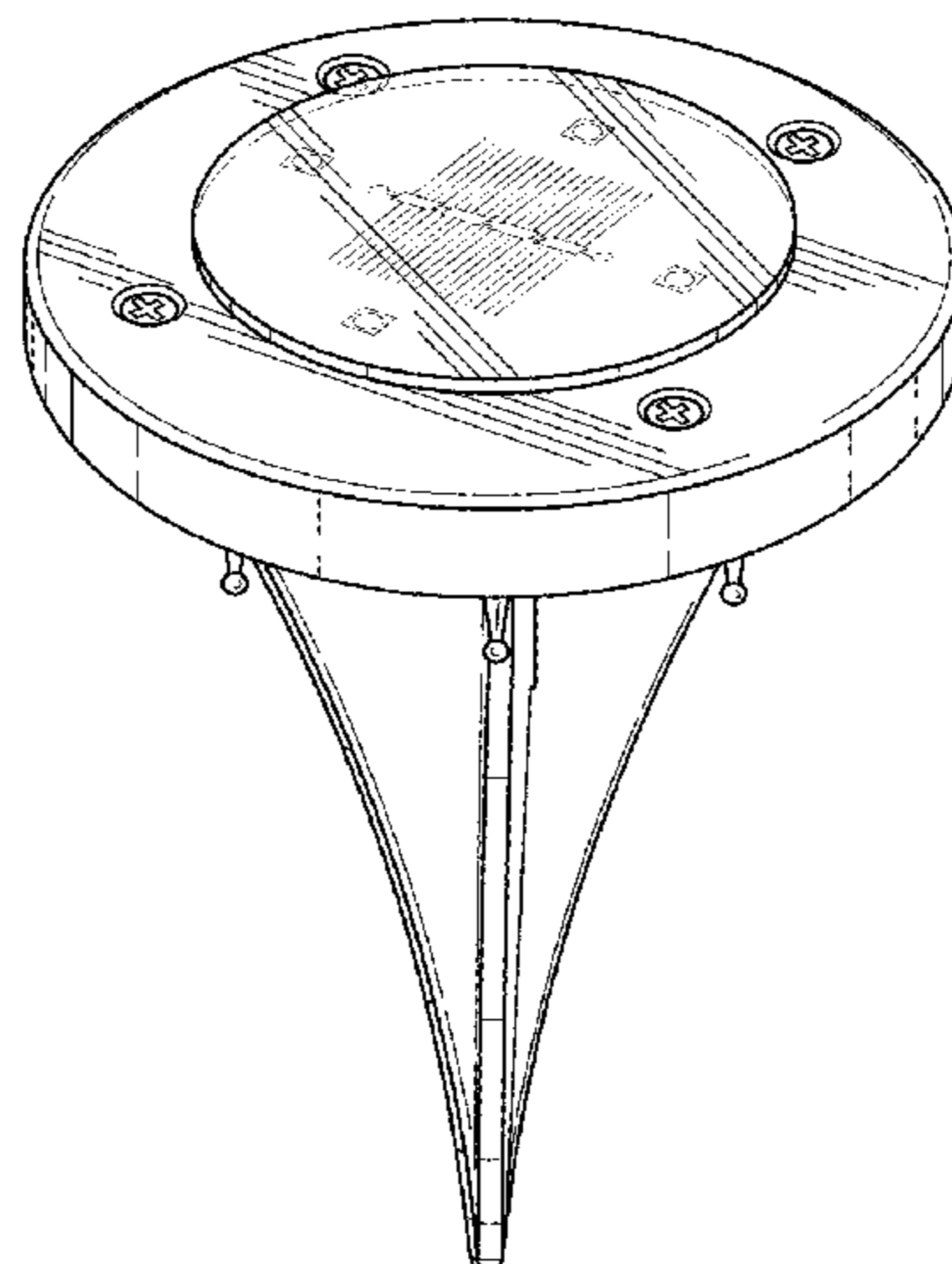
The ornamental design for a outdoor light, as shown and described.

**DESCRIPTION**

FIG. 1 is a front, top, left, perspective view of a first embodiment of an outdoor light showing my design therefor;  
 FIG. 2 is a front, bottom, left perspective view thereof;  
 FIG. 3 is a front elevational view thereof;  
 FIG. 4 is a rear elevational view thereof;  
 FIG. 5 is a right side view thereof;  
 FIG. 6 is a left side view thereof;  
 FIG. 7 is a top plan view thereof; and,  
 FIG. 8 is a bottom plan view thereof.  
 Throughout the drawings, broken lines show environment only and form no part of the claimed design.

**1 Claim, 5 Drawing Sheets**

- (56) **References Cited**  
 U.S. PATENT DOCUMENTS  
 4,835,644 A 5/1989 Wen  
 5,055,984 A 10/1991 Hung  
 6,013,985 A 1/2000 Green  
 6,131,321 A 10/2000 Daigle, Jr.  
 D438,322 S 2/2001 Skradski  
 D445,523 S 7/2001 Skradski  
 D450,150 S 11/2001 Skradski  
 D451,618 S 12/2001 Skradski  
 D451,619 S \* 12/2001 Skradski ..... D26/68  
 6,339,188 B1 1/2002 Voelkner  
 D457,677 S \* 5/2002 Landefeld ..... D26/67  
 6,406,163 B1 6/2002 Yang  
 D483,903 S 12/2003 Skradski  
 D483,904 S 12/2003 Skradski



(56)

References Cited

U.S. PATENT DOCUMENTS

D556,933 S 12/2007 Sanoner  
 D574,104 S 7/2008 Sanoner  
 7,429,827 B2 9/2008 Richmond  
 7,503,669 B2 3/2009 Rizkin  
 7,588,349 B2 9/2009 Yen  
 D605,326 S 12/2009 Sanoner  
 D616,129 S 5/2010 Sanoner  
 7,887,214 B2 2/2011 Chang  
 D642,722 S 8/2011 Oberpriller  
 8,186,857 B2 5/2012 Porter  
 8,203,285 B2 6/2012 Chen  
 8,220,959 B2 7/2012 Rizkin  
 8,222,823 B2 7/2012 Hsu  
 8,292,452 B2 10/2012 Ko  
 8,348,452 B2 1/2013 Zheng  
 8,362,700 B2 1/2013 Richmond  
 8,454,208 B2 6/2013 Porter  
 8,602,585 B1 12/2013 Lowe  
 D698,061 S \* 1/2014 Burke ..... D26/67  
 8,632,234 B1 1/2014 Lowe  
 8,664,866 B2 3/2014 Kay  
 8,845,126 B1 9/2014 Martzall  
 D743,079 S 11/2015 Adair  
 9,175,821 B2 11/2015 Adair  
 9,222,634 B2 12/2015 Zhu  
 9,273,841 B2 3/2016 Philhower  
 9,335,013 B2 5/2016 Martzall  
 9,389,367 B2 \* 7/2016 Yuan ..... G02B 6/0031  
 D770,076 S 10/2016 Li  
 9,572,304 B2 2/2017 Harari  
 9,657,909 B2 5/2017 Cohen  
 D800,940 S 10/2017 Guzzini  
 9,869,459 B2 \* 1/2018 Lentine ..... F21V 29/70  
 D822,253 S \* 7/2018 Wu ..... D26/68  
 D834,515 S \* 11/2018 Zhang ..... D13/102  
 D841,873 S \* 2/2019 Hollinger ..... D26/118  
 D841,879 S \* 2/2019 Hollinger ..... D26/142  
 10,309,590 B2 \* 6/2019 Hollinger ..... F21L 4/04

2003/0137831 A1 7/2003 Lin  
 2006/0012996 A1 1/2006 Tseng  
 2006/0187656 A1 \* 8/2006 Kuelbs ..... F21S 9/035  
 362/183  
 2007/0002561 A1 1/2007 Tesmer  
 2007/0121317 A1 5/2007 Huang  
 2007/0263381 A1 11/2007 Goldman  
 2009/0027900 A1 1/2009 Janos  
 2009/0059572 A1 3/2009 Wang  
 2011/0013384 A1 1/2011 Lu  
 2011/0310597 A1 12/2011 Lu  
 2016/0230972 A1 8/2016 Choi  
 2016/0238221 A1 \* 8/2016 Lentine ..... F21V 29/70  
 2017/0135226 A1 5/2017 Chen  
 2017/0184260 A1 6/2017 Munoz Abogabir  
 2017/0191631 A1 \* 7/2017 Lentine ..... F21S 10/007

OTHER PUBLICATIONS

Dec. 16, 2017 “Solar Underground Light,Rambling 8LED Power Buried Light Under Ground Lamp Waterproof Outdoor Path Way Garden Decking Auto On Off Switch Cool White” [<https://www.amazon.com/Underground-Rambling-Waterproof-Outdoor-Decking/dp/B078G56VLP/>].  
 Dec. 24, 2017 “8-LEDs Solar Power Ground Light, Onever Spike Lighting Built-in Light Sensor IPX4 Waterproof for Path Floor Yard Driveway Lawn Pathway (Pack of 4X)” [<https://www.amazon.com/ONEVER-Lighting-Waterproof-Driveway-Pathway/dp/B078LW7ZLT/>].  
 May 26, 2017 “Numarda 4Pcs 4 LED Solar Powered Ground Lights Outdoor lamp Waterproof LED Solar Path Lights Garden Landscape Spike Lighting for Yard Driveway Lawn Pathway—White” [<https://www.amazon.com/Powered-Waterproof-Landscape-Lighting-Driveway/dp/B07125KXLW/>].  
 Jun. 8, 2017 “Hometom Solar Powered Ground Light Outdoor Lights Waterproof LED Solar Path Lights Garden Landscape Lighting—4 Pack” [<https://www.amazon.com/Powered-Outdoor-Waterproof-Landscape-Lighting/dp/B07BQY5M5H/>].

\* cited by examiner

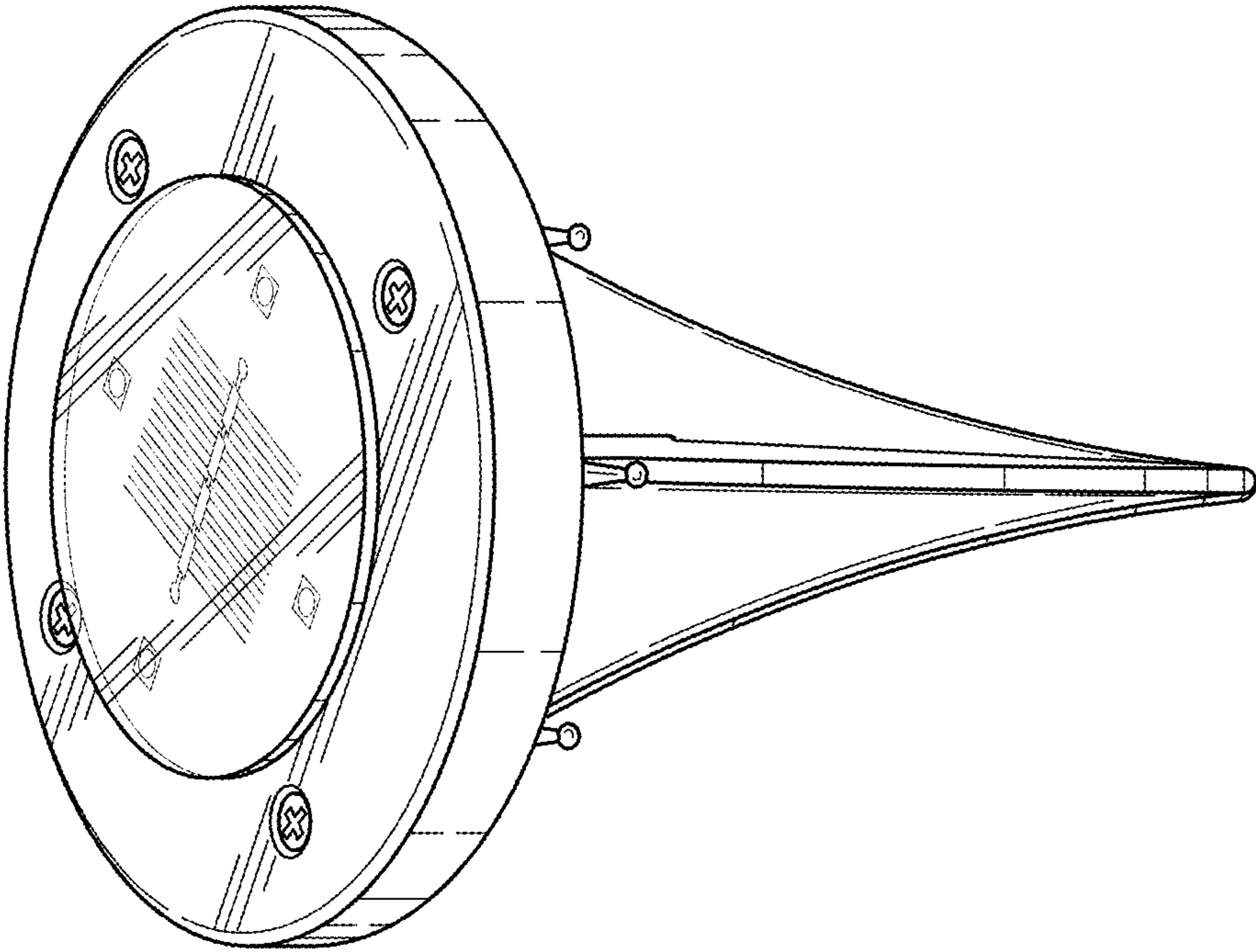


FIG. 1

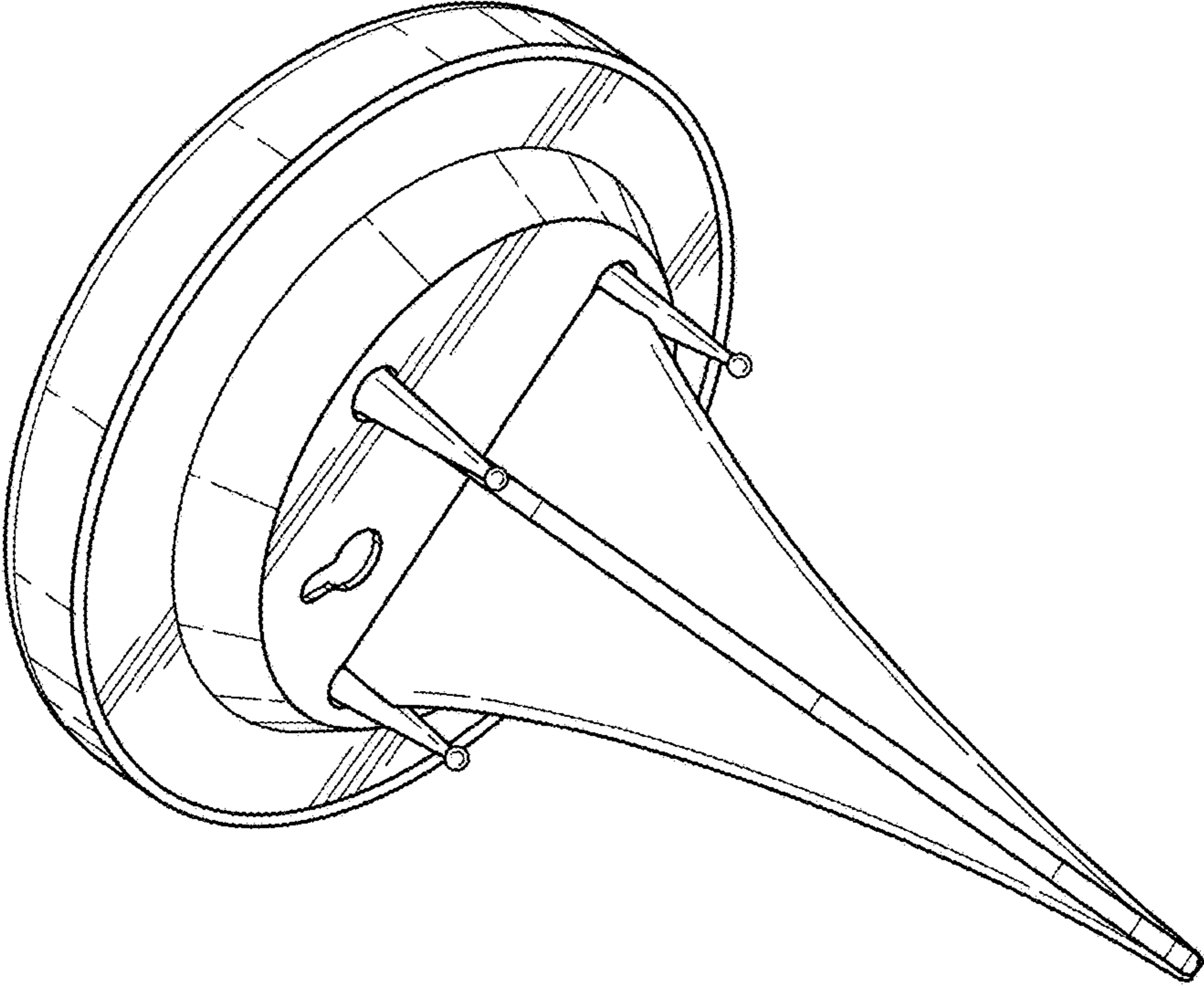


FIG. 2

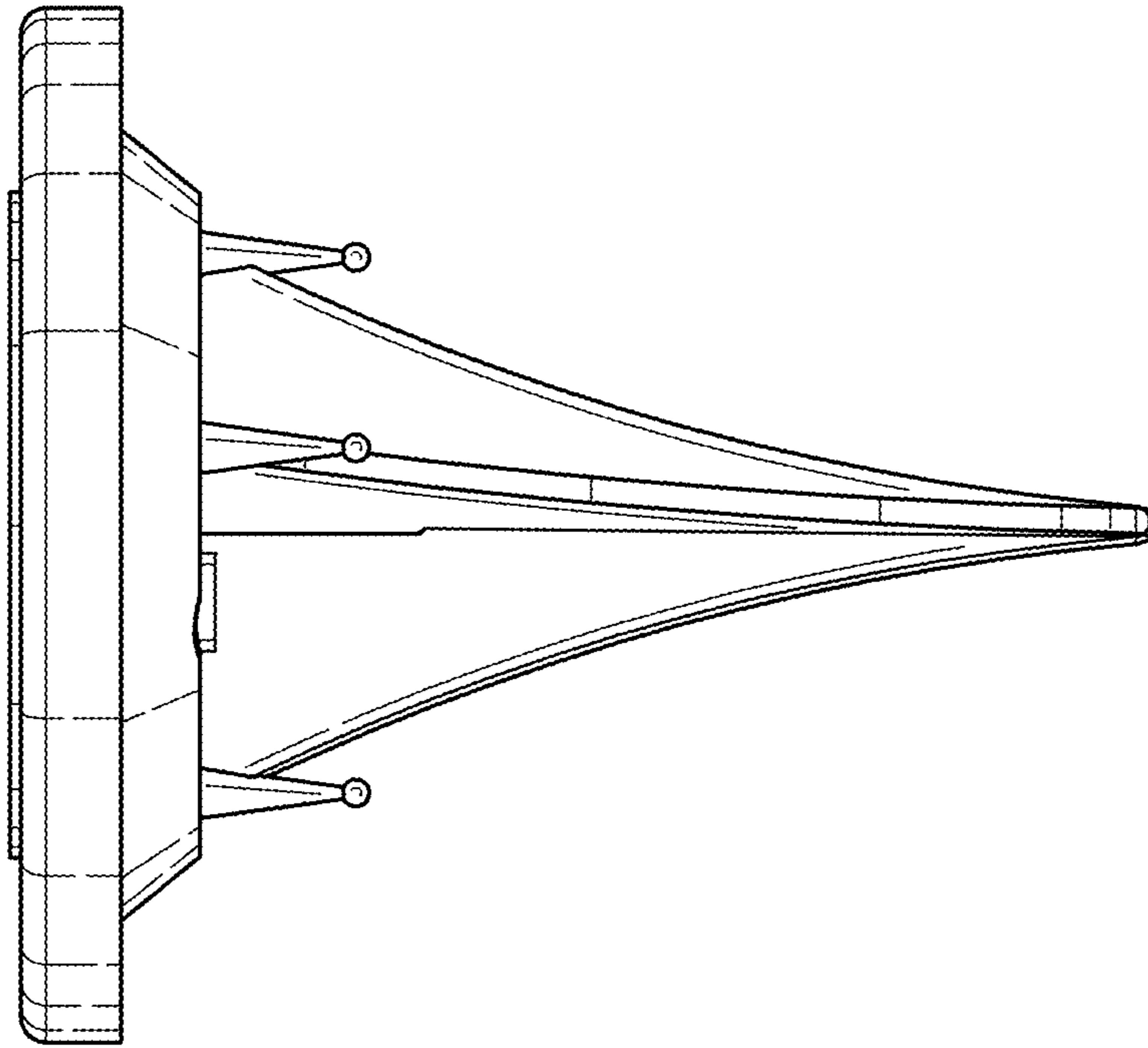


FIG. 4

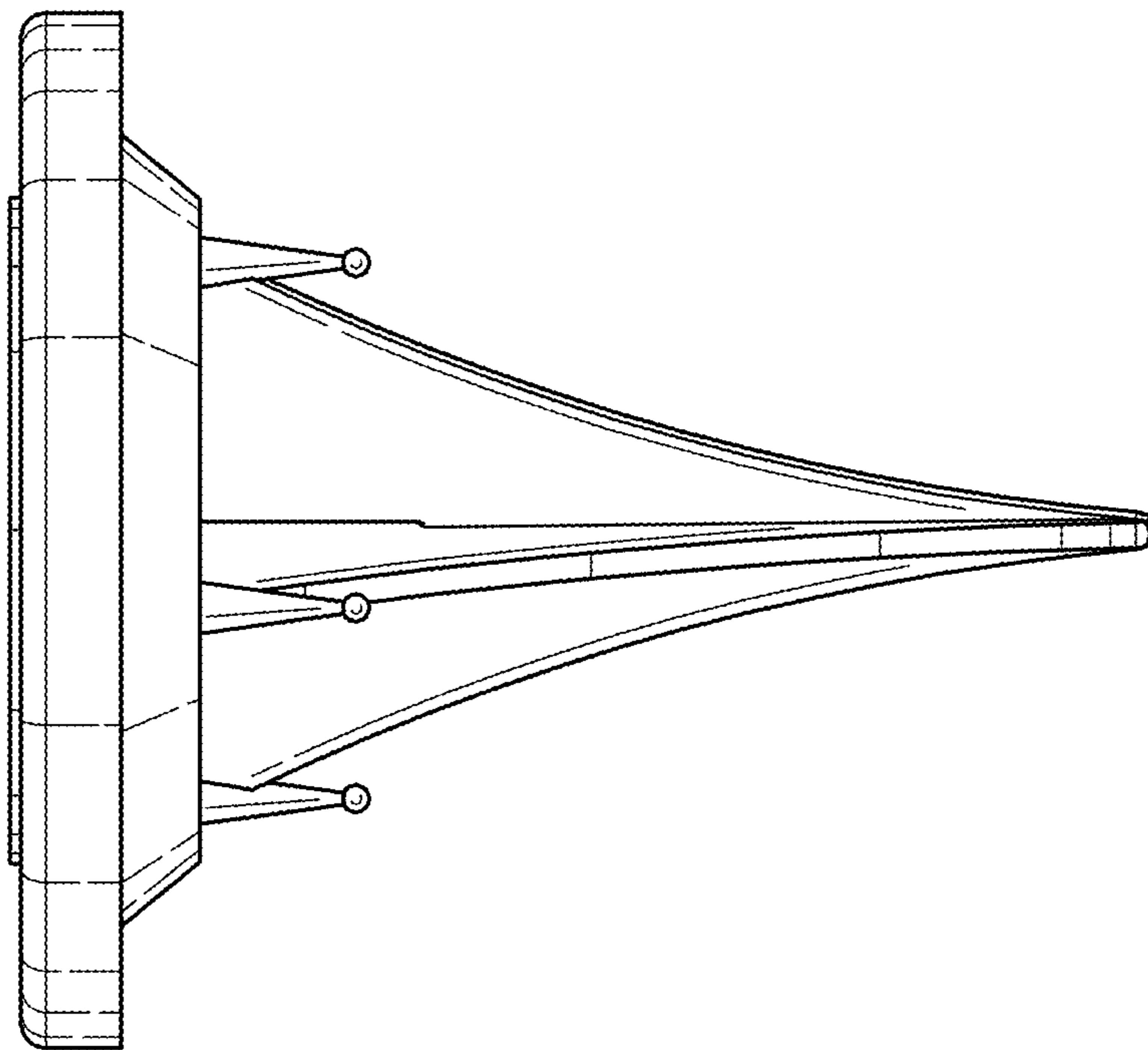


FIG. 3

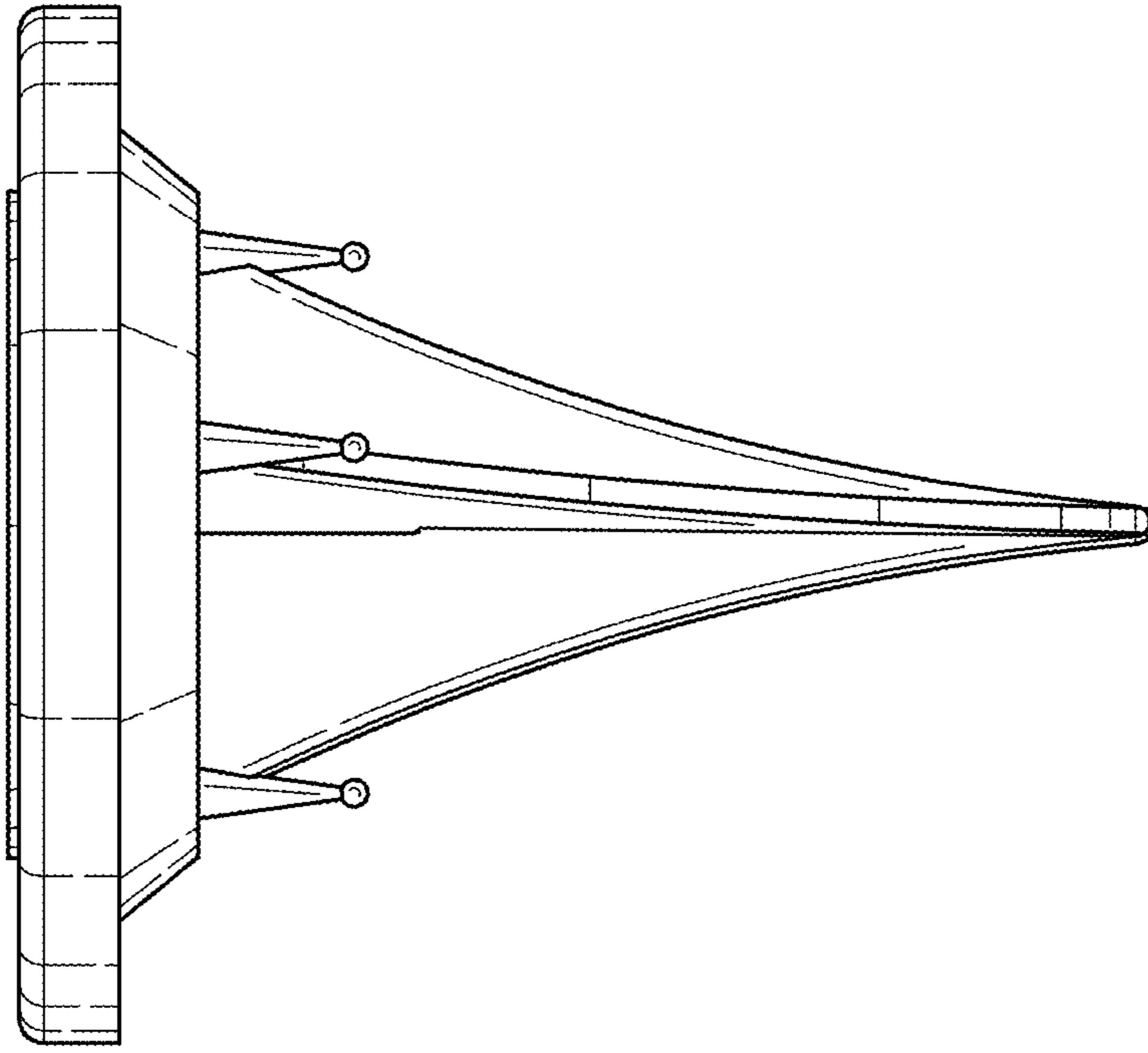


FIG. 5

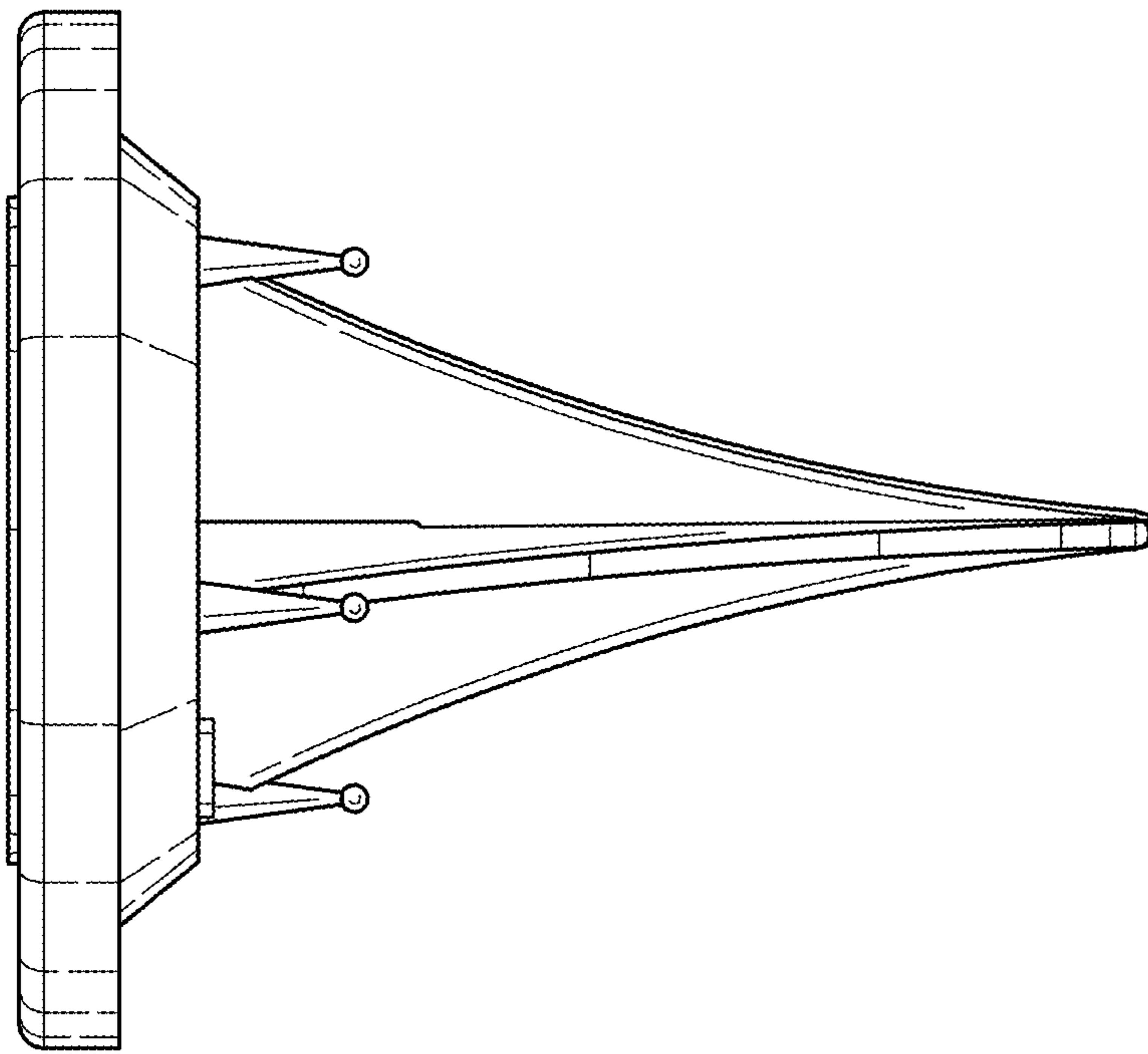


FIG. 6

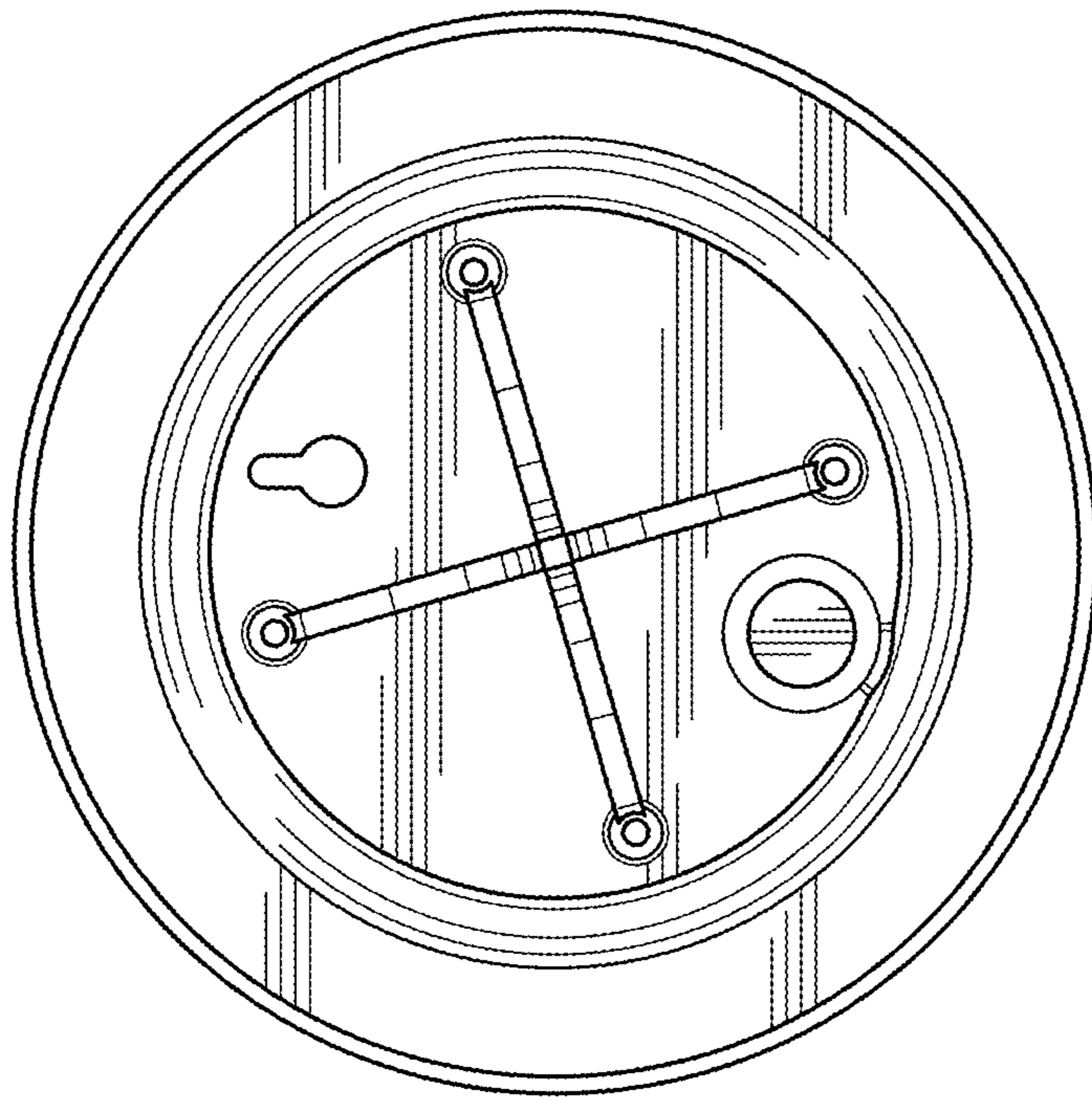


FIG. 8

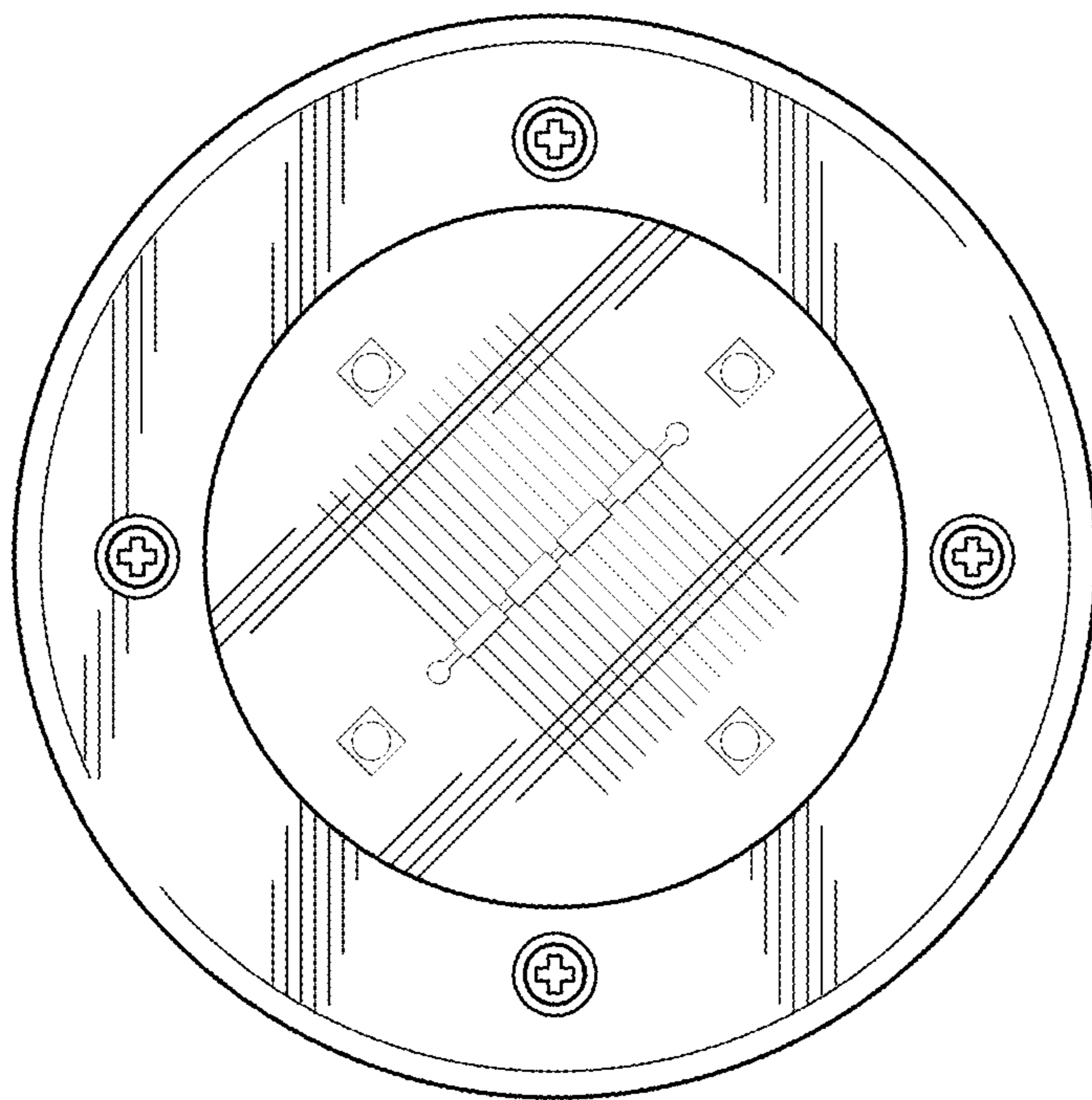


FIG. 7