



US00D864451S

(12) **United States Design Patent** (10) **Patent No.:** **US D864,451 S**
Koerth et al. (45) **Date of Patent:** **** *Oct. 22, 2019**

(54) **MODULAR DECK LIGHT**
(71) Applicant: **Lacks Home Products**, Kentwood, MI (US)
(72) Inventors: **Aaron Koerth**, Hudsonville, MI (US); **Michael S. Modrusic**, Granite City, IL (US)
(73) Assignee: **Lacks Home Products**, Kentwood, MI (US)
(*) Notice: This patent is subject to a terminal disclaimer.
(**) Term: **15 Years**
(21) Appl. No.: **29/599,468**
(22) Filed: **Apr. 4, 2017**
(51) **LOC (12) Cl.** **26-05**
(52) **U.S. Cl.**
USPC **D26/60**
(58) **Field of Classification Search**
USPC D10/104.1, 106.1, 106.6, 106.8;
D25/133, 135, 136; D26/10, 37, 38, 40,
D26/51, 60, 67, 68, 72, 76, 78, 82, 85,
D26/86, 104, 106, 145
CPC F21S 8/00; F21S 8/02; F21S 8/04; F21S
8/006; F21S 6/00; F21S 9/022; F21S
9/037
See application file for complete search history.

D444,243 S * 6/2001 Erwin E04H 17/16
D25/135
6,526,905 B2 3/2003 Hawk
D476,555 S * 7/2003 Niwa D6/328
D513,171 S * 12/2005 Richardson D25/133
D551,774 S * 9/2007 McGinness D25/135
D645,865 S * 9/2011 Diehl D14/299
D649,680 S * 11/2011 Trzesniowski D26/138
D649,692 S * 11/2011 Trzesniowski D26/138

(Continued)

FOREIGN PATENT DOCUMENTS

KR 101498268 B1 3/2015
Primary Examiner — Kevin K Rudzinski
Assistant Examiner — Richard Kearney
(74) *Attorney, Agent, or Firm* — John S. Artz; Dickinson Wright PLLC

(57) **CLAIM**

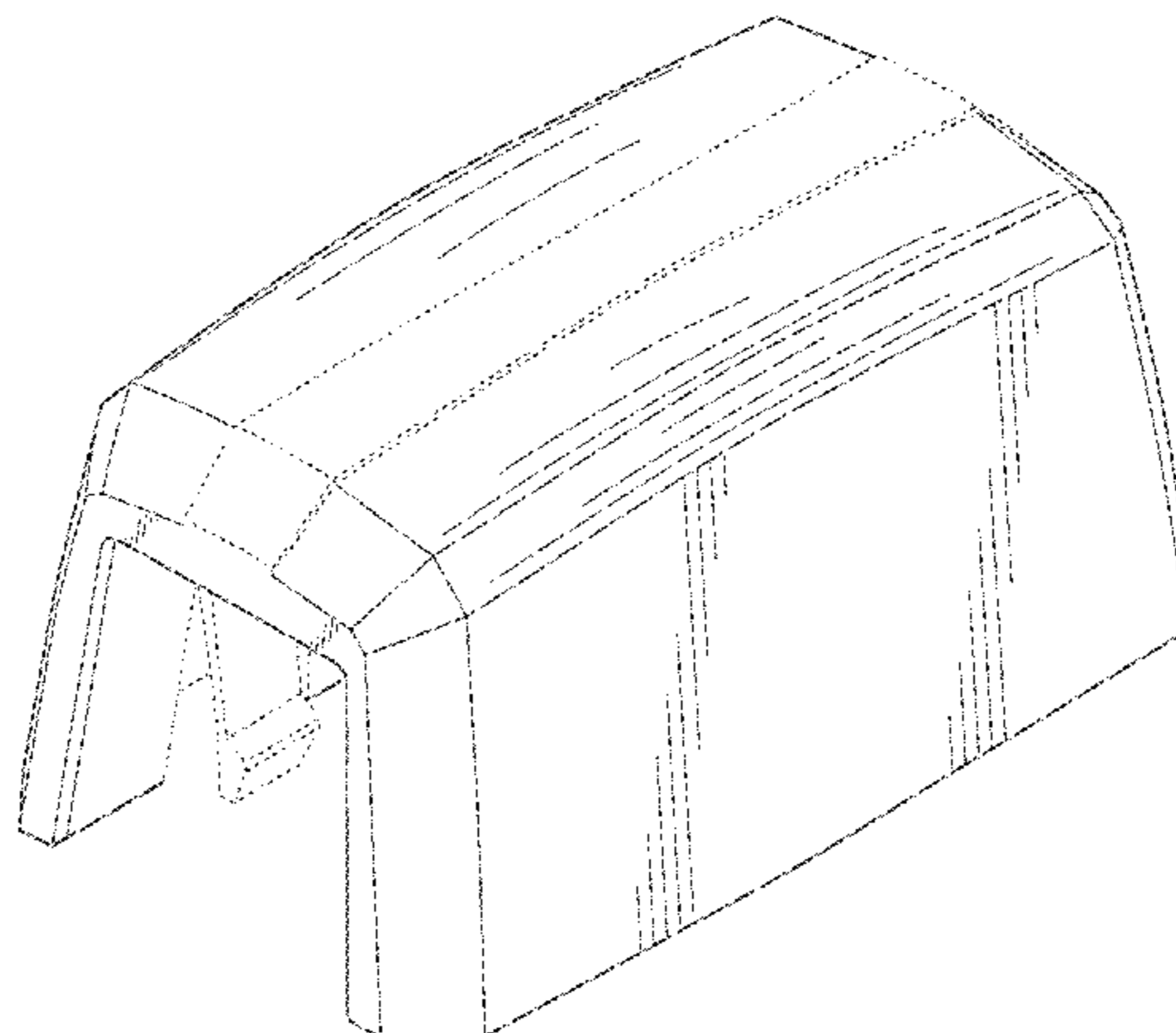
We claim the ornamental design for a modular deck light, as shown and described.

DESCRIPTION

FIG. 1 is a perspective view of a modular deck light showing our new design;
FIG. 2 is a first end view of the modular deck light of FIG. 1;
FIG. 3 is a second end view of the modular deck light of FIG. 1;
FIG. 4 is a first side view of the modular deck light of FIG. 1;
FIG. 5 is a second side view of the modular deck light of FIG. 1;
FIG. 6 is a bottom view of the modular deck light of FIG. 1; and,
FIG. 7 is a top view of the modular deck light of FIG. 1.
The broken lines in the drawings are included for the purpose of illustrating an environmental structure and form no part of the claimed design.

1 Claim, 5 Drawing Sheets

(56) **References Cited**
U.S. PATENT DOCUMENTS
D140,862 S * 4/1945 Conlan D13/161
D150,892 S * 9/1948 Sacks D26/104
D180,535 S * 6/1957 Stevens D26/24
D296,135 S * 6/1988 Dreiling D25/136
4,825,590 A 5/1989 Cullinane
5,118,059 A 6/1992 Mainer
5,772,185 A * 6/1998 Pulsipher E04D 3/405
256/1



(56)

References Cited

U.S. PATENT DOCUMENTS

D658,977 S * 5/2012 Riddell D8/394
D670,843 S * 11/2012 von Waldthausen D26/37
8,801,214 B2 8/2014 Chrysanthous
9,206,951 B2 12/2015 McLennan et al.
D788,625 S * 6/2017 Hsieh D10/106.6
D806,460 S * 1/2018 Gasser D6/719
D826,023 S * 8/2018 Chun D8/72
D827,405 S * 9/2018 Chun D8/72
D835,822 S * 12/2018 Koerth D26/60
D835,823 S * 12/2018 Koerth D26/60
D835,824 S * 12/2018 Koerth D26/60
D835,825 S * 12/2018 Koerth D26/60
D835,826 S * 12/2018 Koerth D26/60
10,227,784 B2 * 3/2019 Stuart E04F 19/02
2013/0076269 A1 3/2013 Shilton
2015/0251735 A1 9/2015 O'Maley, Jr.

* cited by examiner

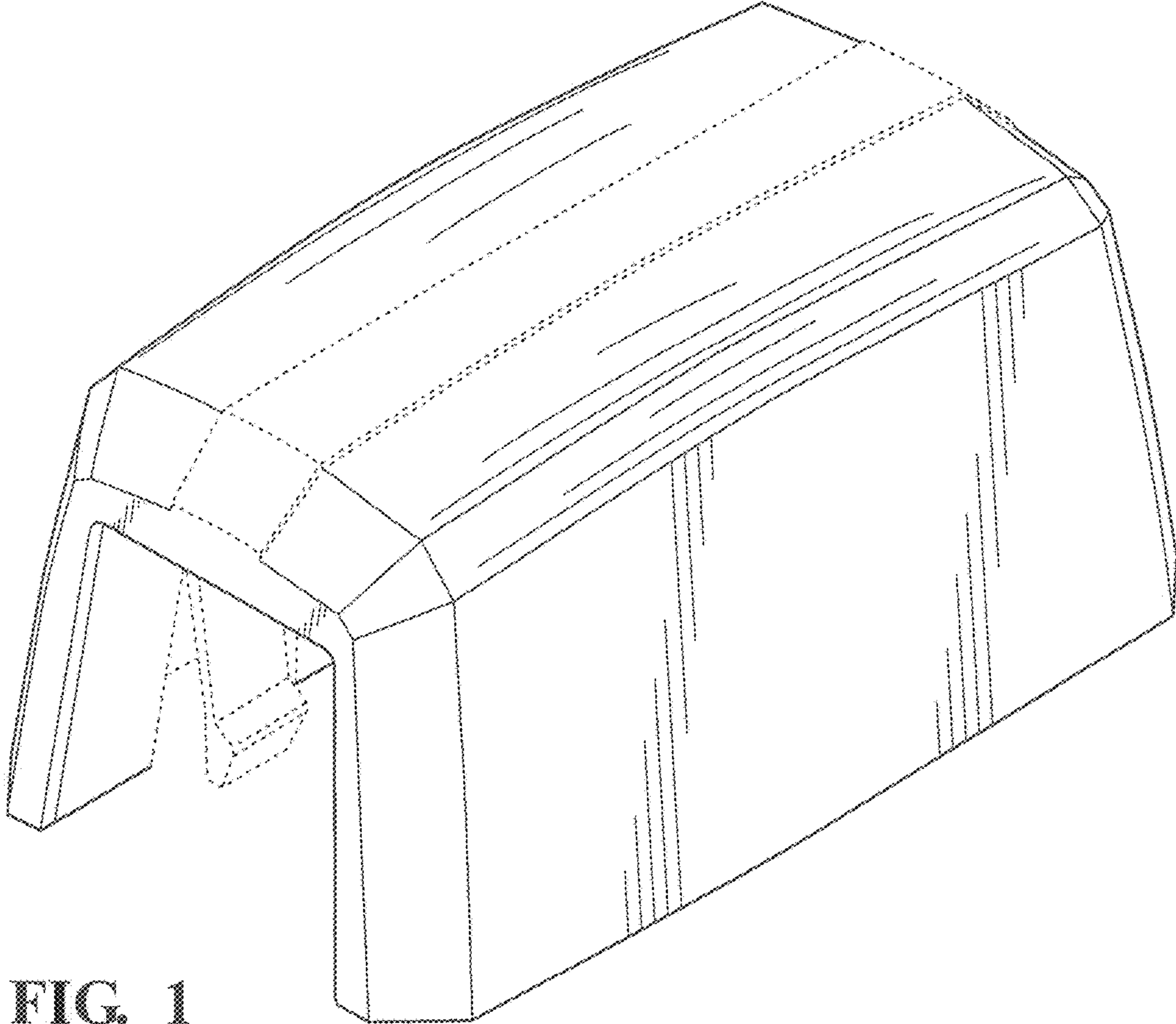


FIG. 1

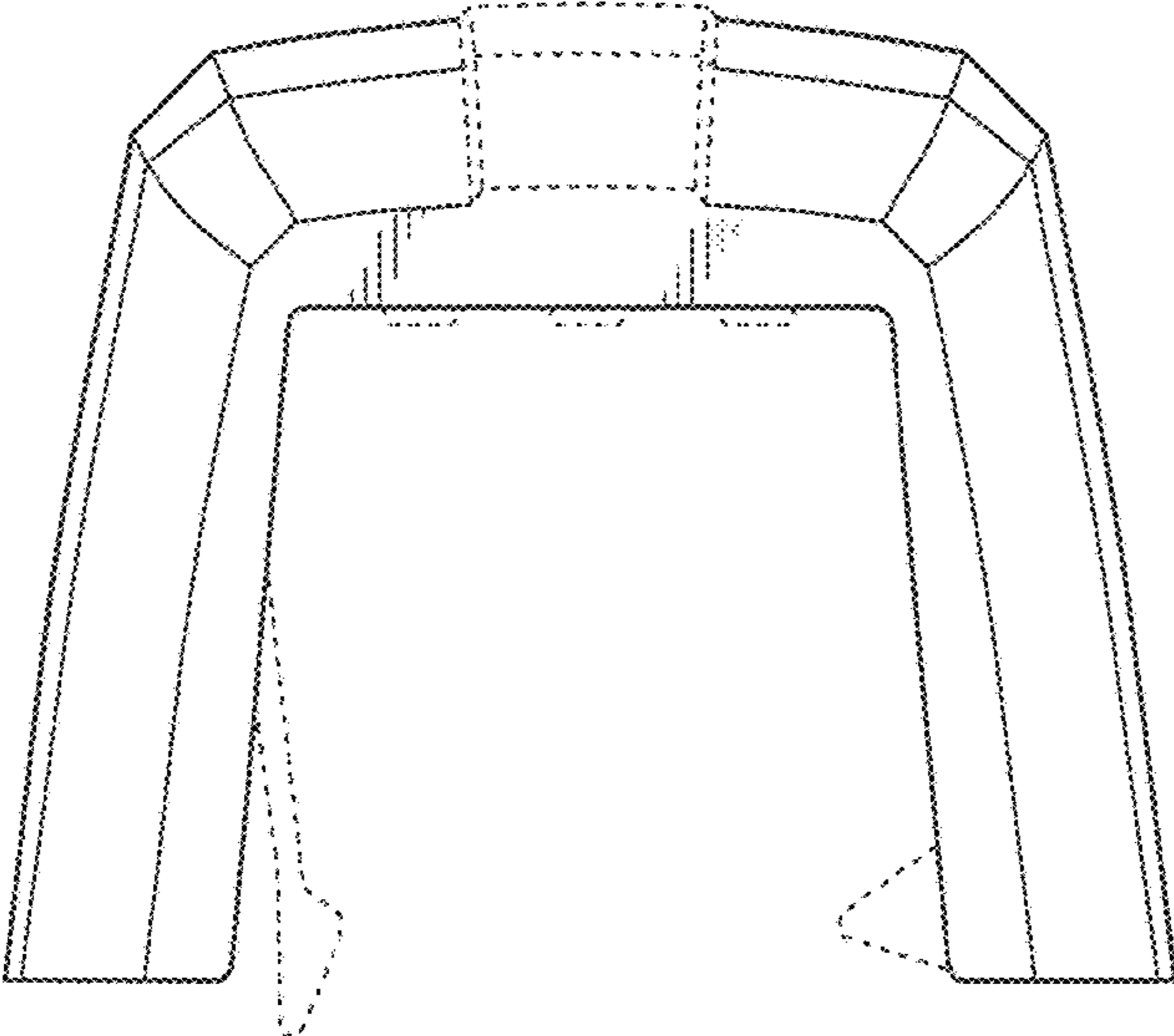


FIG. 2

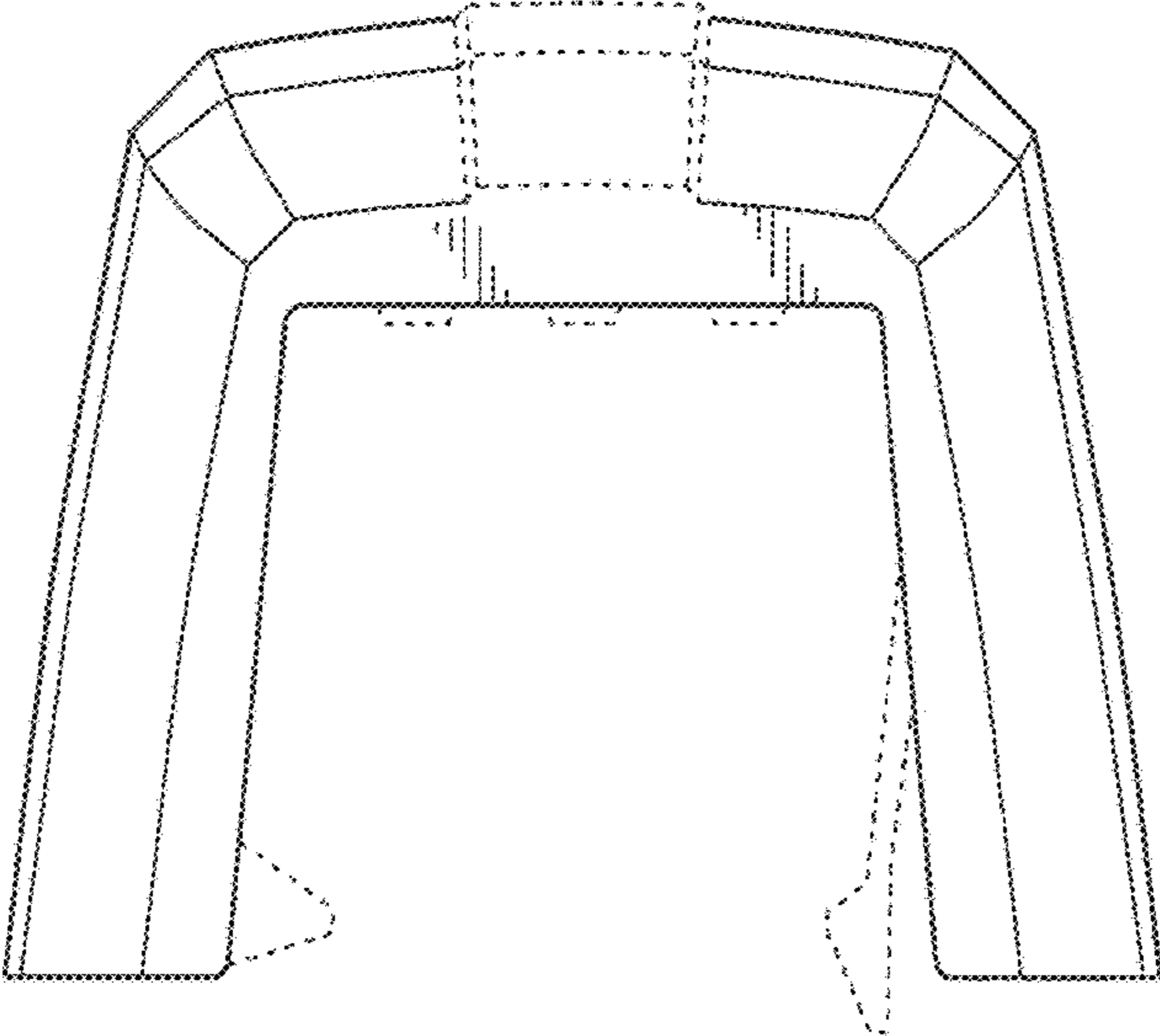


FIG. 3

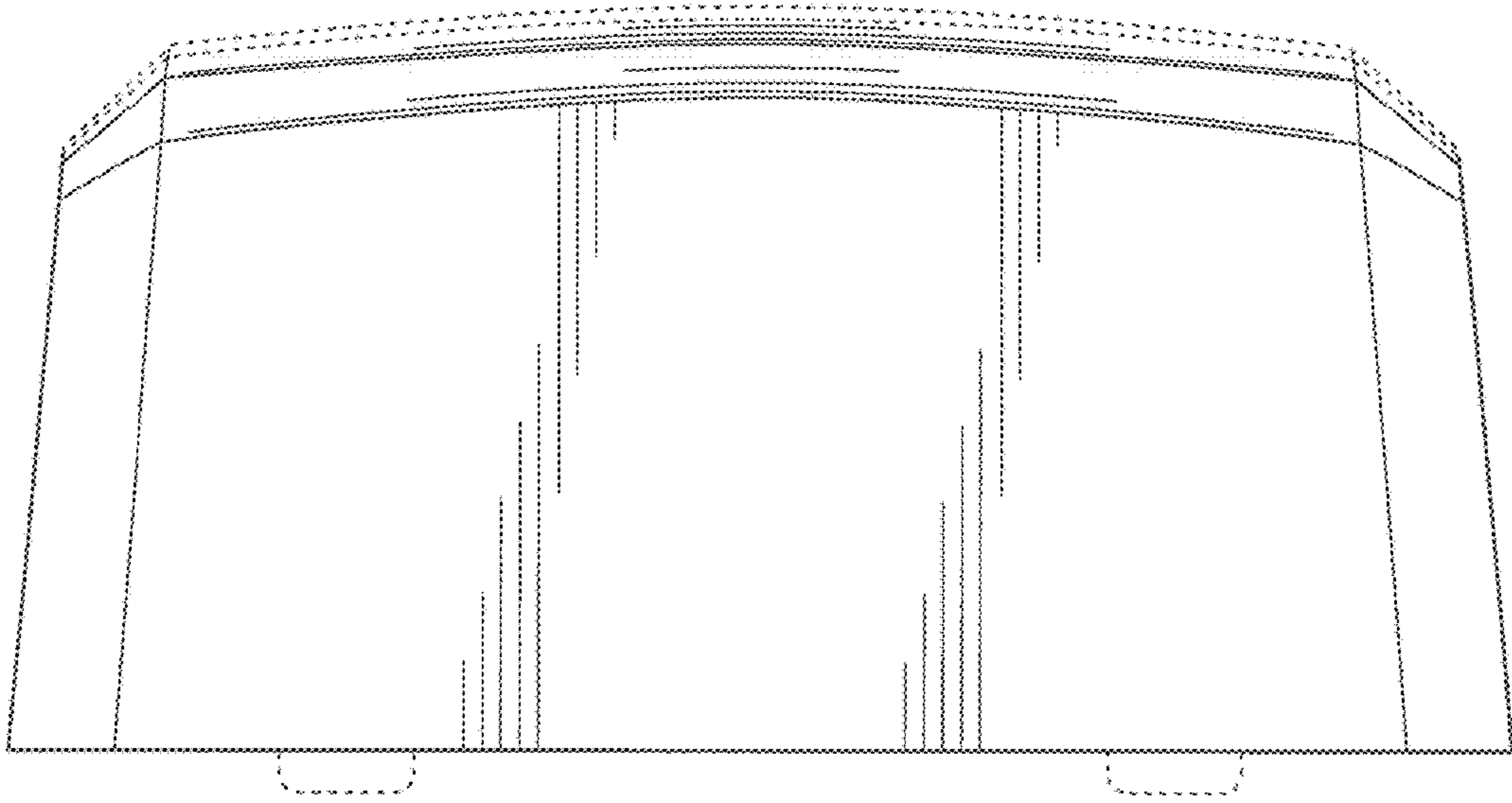


FIG. 4

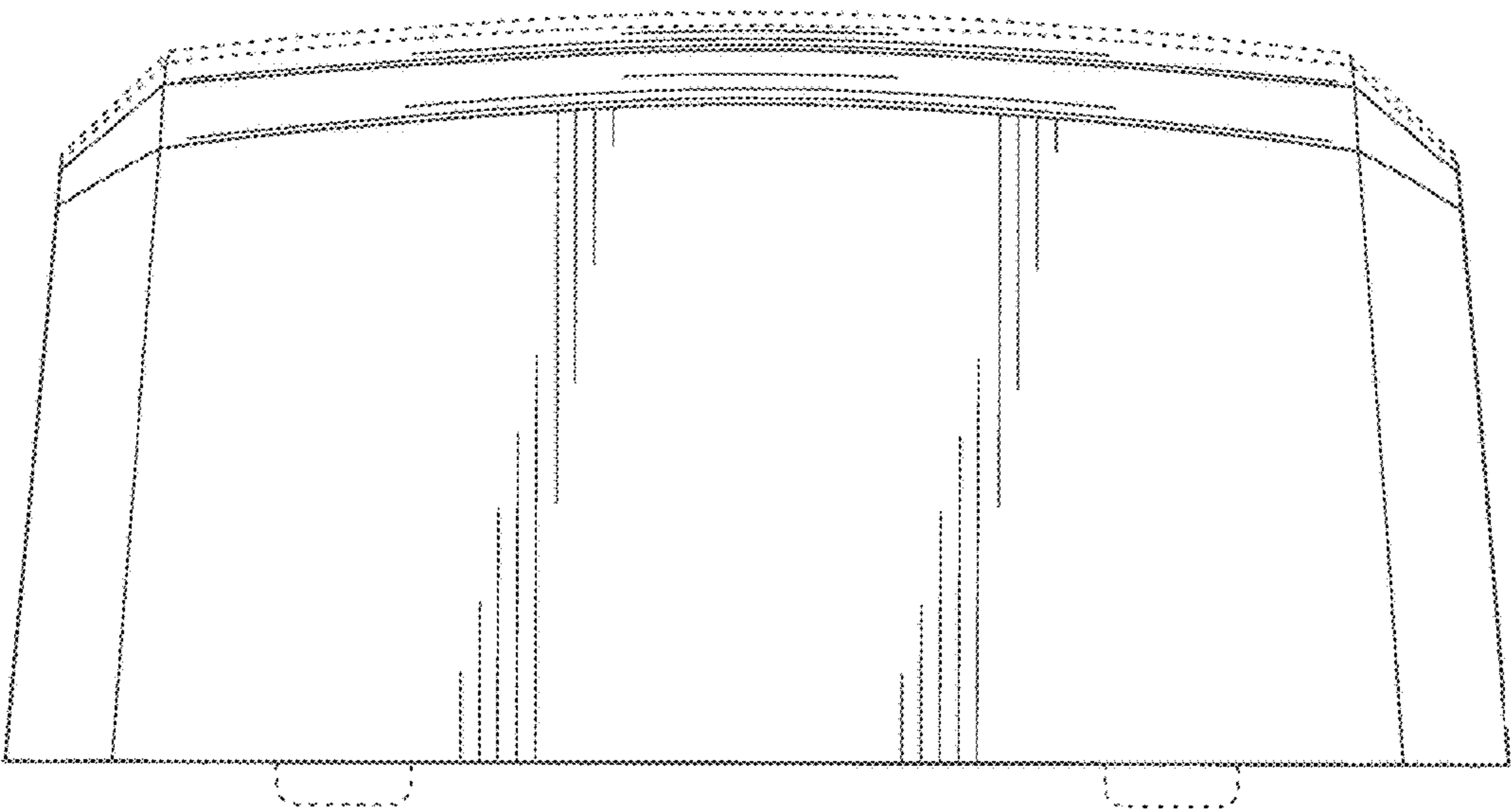


FIG. 5

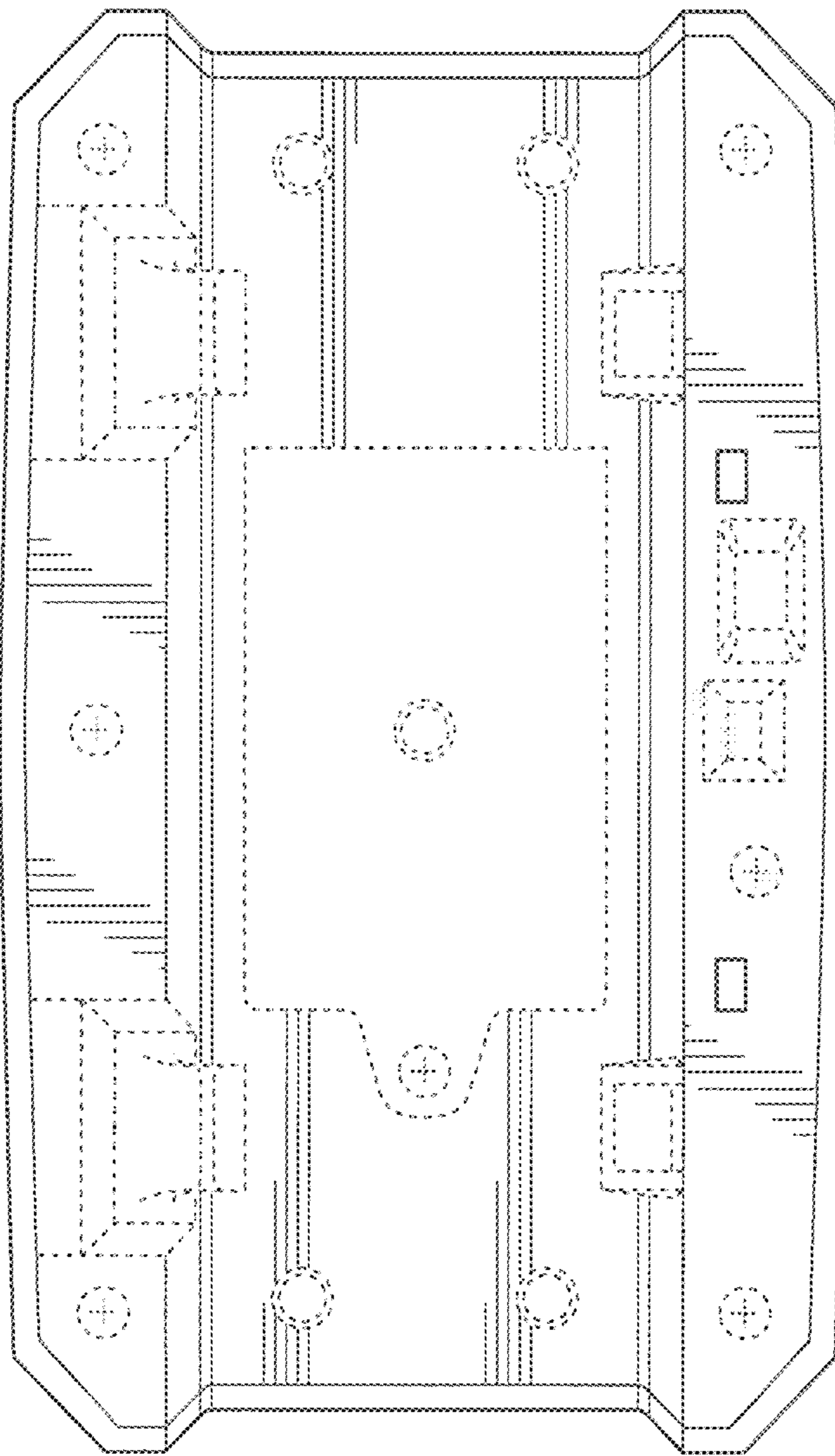


FIG. 6

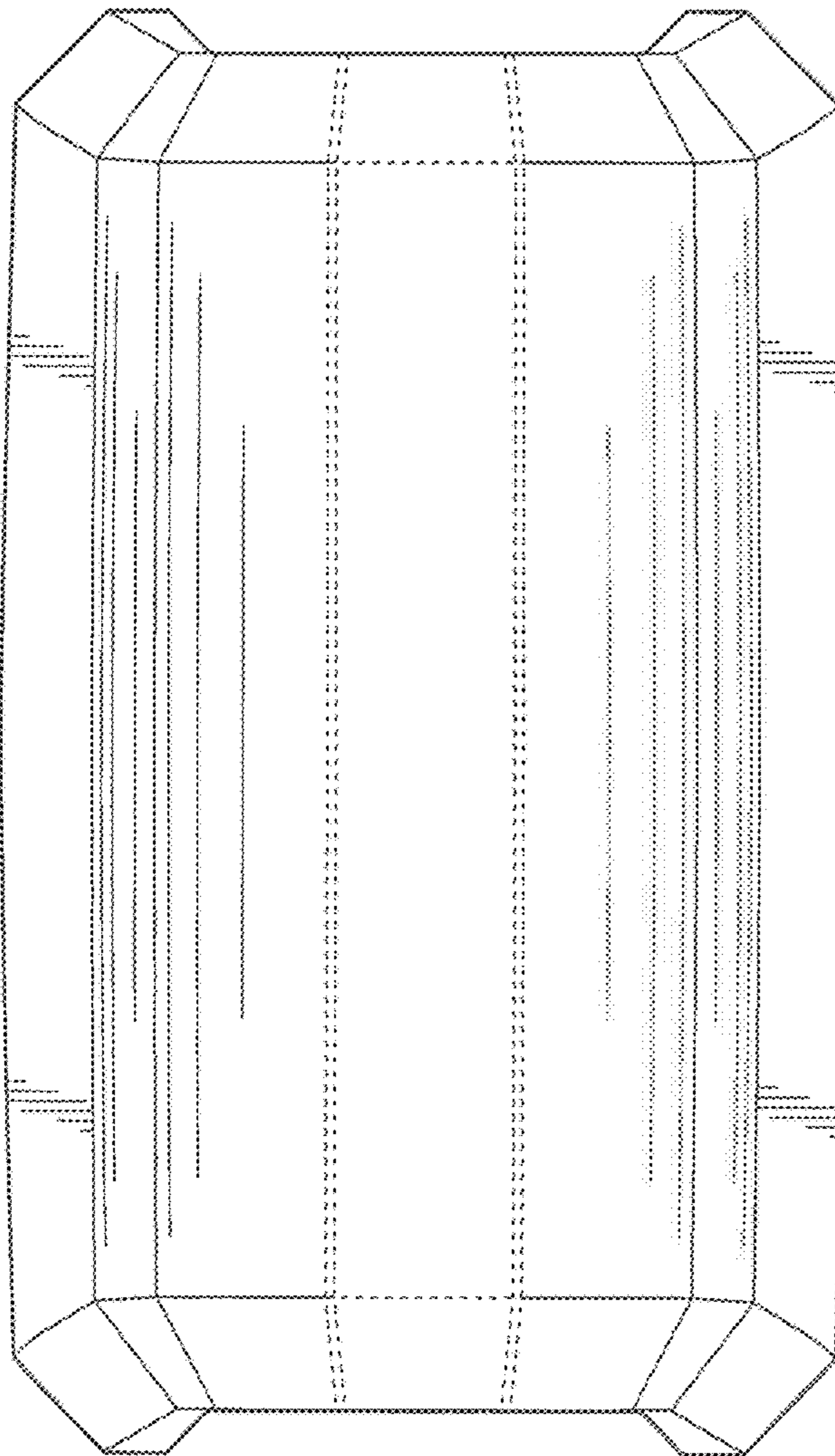


FIG. 7