

US00D864449S

(12) **United States Design Patent** (10) **Patent No.:** **US D864,449 S**
Eichelberger (45) **Date of Patent:** **** Oct. 22, 2019**

(54) **LIGHTING DEVICE**

(71) Applicant: **Streamlight, Inc.**, Eagleville, PA (US)
(72) Inventor: **Cleatis Eichelberger**, East Norriton, PA (US)
(73) Assignee: **Streamlight, Inc.**, Eagleville, PA (US)
(**) Term: **15 Years**
(21) Appl. No.: **29/618,877**

(22) Filed: **Sep. 25, 2017**
(51) **LOC (12) Cl.** **26-02**
(52) **U.S. Cl.**
USPC **D26/39**
(58) **Field of Classification Search**
USPC D26/37-51
CPC F21L 2003/00; F21L 4/00; F21L 4/005;
F21L 4/02; F21L 4/025; F21L 4/027;
F21L 4/04; F21L 4/08; F21L 2005/00;
F21L 7/00; F21L 11/00; F21L 13/00;
F21L 13/04; F21L 13/08; F21L 14/02;
F21L 17/00; F21L 19/00; F21L 25/00
See application file for complete search history.

(56) **References Cited**

U.S. PATENT DOCUMENTS

D600,840 S *	9/2009	Lagassey	D26/37
D603,539 S *	11/2009	Shiu	D26/39
D615,225 S *	5/2010	DeBrunner	D26/39
D615,678 S *	5/2010	DeBrunner	D26/39
D624,221 S *	9/2010	DeBrunner	D26/39
D650,103 S *	12/2011	Lee	D26/39
D733,951 S *	7/2015	Kent	D26/39
D770,143 S	11/2016	Waters		
D788,340 S *	5/2017	Koshiba	D26/39
D810,336 S *	2/2018	Green	D26/39
D813,432 S *	3/2018	Koshiba	D26/39
D814,083 S *	3/2018	Green	D26/39
2015/0198313 A1	7/2015	Rementer		

OTHER PUBLICATIONS

FavourLight PHL2C1N001 LED Headlight [online], [Retrieved on Sep. 11, 2017] Retrieved from the internet: <<http://www.favourlight.com/products/headlight/details/phl2c1n001>>.
FavourLight PHM0M1N002 Headlight [online], [Retrieved on Sep. 11, 2017] Retrieved from the internet: <<http://www.favourlight.com/products/headlight/details/phm0m1n002>>.
FavourLight PHM0M3B009 [online], [Retrieved on Sep. 11, 2017] Retrieved from the internet: <<http://www.favourlight.com/products/headlight/details/phm0m3b009>>.

(Continued)

Primary Examiner — Lakiya G Rogers
Assistant Examiner — Carissa C Fitts
(74) *Attorney, Agent, or Firm* — Design IP

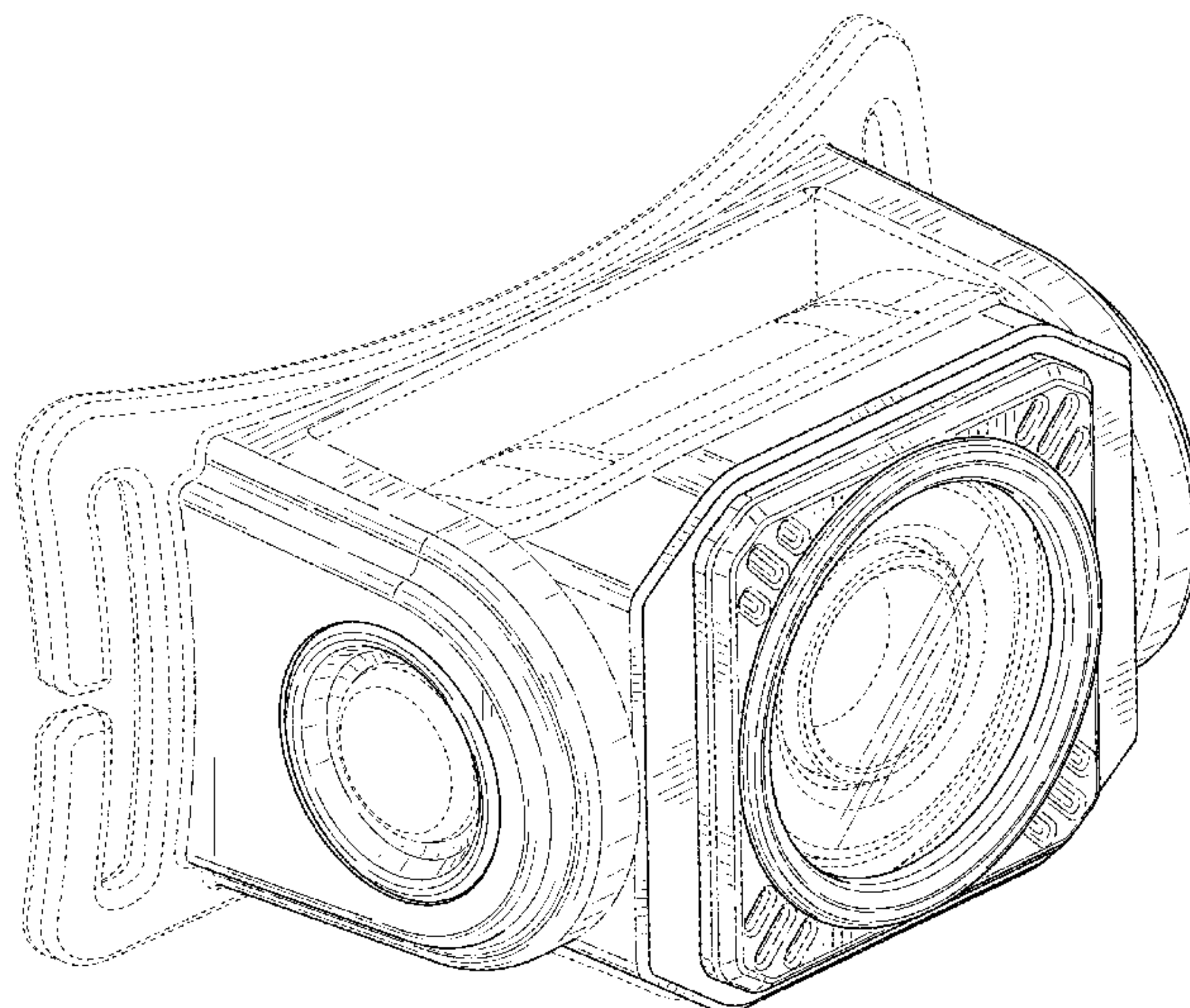
(57) **CLAIM**

The ornamental design for a lighting device, as shown and described.

DESCRIPTION

FIG. 1 is a front perspective view of a lighting device showing my new design;
FIG. 2 is a front elevation view thereof;
FIG. 3 is a left side elevation view thereof;
FIG. 4 is a right side elevation view thereof;
FIG. 5 is a top plan view thereof; and,
FIG. 6 is a bottom plan view thereof.
The dashed broken lines in FIGS. 1-6 show unclaimed portions of the lighting device. The dashed-dotted broken lines in FIGS. 1-6 show unclaimed boundaries between claimed and unclaimed subject matter. The oblique line shading in FIGS. 1 and 2 show a translucent or transparent material. The remaining line shading in FIGS. 1-6 show surface contours, not surface ornamentation. The rear view is omitted and forms no part of the claimed design.

1 Claim, 5 Drawing Sheets



(56)

References Cited

OTHER PUBLICATIONS

Twin-Task 3C Flashlight [online], [Retrieved on Sep. 11, 2017] Retrieved from the internet: <<http://www.streamlight.com/en/products/detail/index/twin-task-3c>>.

FavourLight PB0CC1N001 LED Bike Light [online], [Retrieved on Oct. 27, 2016] Retrieved from the internet: <<http://www.favourlight.com/products/bike-light/details/pb0cc1n001>>.

H4 Head Lamp [online]. [Retrieved on Oct. 27, 2016] Retrieved from the internet: <<http://www.ledlenserusa.com/h4-153.html#start=7>>.

H05S Active Head Lamp [online]. [Retrieved on Oct. 31, 2016] Retrieved from the internet: <<https://olightworld.com/store/flashlight/headlamps/h05s-active.html>>.

PrincetonTec IMPULSE—Multi-task Light [online]. [Retrieved on Oct. 27, 2016] Retrieved from the internet: <<http://www.princetonotec.com/impulse>>.

H1 Nova Head Lamp [online]. [Retrieved on Oct. 27, 2016] Retrieved from the internet: <<https://olightworld.com/store/flashlight/h1-nova.html>>.

Energizer Vision LED Headlamp [online]. [Retrieved on Oct. 31, 2016] Retrieved from the internet: <<https://www.amazon.com/dp/B00T18GSHY?psc=1>>.

Explortek Nite-Blazer LED Headlamp with Case [online]. [Retrieved on Oct. 31, 2016] Retrieved from the internet: <<https://www.amazon.com/dp/B019BMEZJY?psc=1>>.

Heimdall LED Headlamp Flashlight [online]. [Retrieved on Oct. 31, 2016] Retrieved from the internet: <<https://www.amazon.com/dp/B01DYCDK1Q?psc=1>>.

Luxolite LED Headlamp Flashlight [online]. [Retrieved on Oct. 31, 2016] Retrieved from the internet: <<https://www.amazon.com/dp/B013IGE5HG?psc=1>>.

Nytebright T6 Headlamp Flashlight [online]. [Retrieved on Oct. 31, 2016] Retrieved from the internet: <https://www.amazon.com/nyteBright-Headlamp-Flashlight-Waterproof-Lightweight/dp/B00R0LMMF8/ref=pd_sim_469_10?encoding=UTF8&psc=1&refRID=N9AJ6BXM63K1QND0B8TP>.

Totobay Waterproof LED Headlamp Flashlight [online]. [Retrieved on Oct. 31, 2016] Retrieved from the internet: <<https://www.amazon.com/dp/B01G171LOE?psc=1>>.

Ty-Lite LED Headlamp Flashlight [online]. [Retrieved on Oct. 31, 2016] Retrieved from the internet: <<https://www.amazon.com/dp/B00XWPR9NQ?psc=1>>.

Northbound Train Bright LED Headlamp Flashlight [online]. [Retrieved on Oct. 31, 2016] Retrieved from the internet: <https://www.amazon.com/gp/product/B00H26CGTI/ref=abs_brd_tag_dp>.

VTIN Waterproof White/Red LED Headlight Headlamp Flashlight Torch [online]. [Retrieved on Oct. 31, 2016] Retrieved from the internet: <<https://www.amazon.com/dp/B015FVYRP2?psc=1>>.

SEO 7R Leatherman / LED Lenser [online]. [Retrieved on Oct. 31, 2016] Retrieved from the internet: <<http://www.ledlenserusa.com/seo-7r-477.html#q=SEO&start=1>>.

Energizer HD3LMS32E Micro Sport 2AAA 4-LED with Rear Flasher [online]. [Retrieved on Nov. 1, 2016] Retrieved from the internet: <<https://www.amazon.ca/Energizer-HD3LMS32E-Micro-Sport-Flasher/dp/B009QETTSK>>.

Streamlight Enduro LED Headlamp [online]. Retrieved from the internet: <<http://www.streamlight.com/en/products/detail/index/enduro-led-headlamp>>.

Streamlight Double Clutch USB Headlamp [online]. Retrieved from the internet: <<http://www.streamlight.com/en/products/detail/index/double-clutch-usb-headlamp>>.

Streamlight Septor Haz-Lo Headlamp Atex [online]. Retrieved from the internet: <<http://www.streamlight.com/en/products/detail/index/septor-haz-lo-headlamp-atex>>.

FavourLight PH0TC3A001 Motion Sensor Polymer Headlight [online]. Retrieved from the internet: <<http://www.favourlight.com/products/headlight/details/ph0tc3a001>>.

FavourLight PHM0M3A055 3AAA Dual Lights Compact Headlight [online]. Retrieved from the internet: <<http://www.favourlight.com/products/headlight/details/phm0m3a055>>.

FavourLight PHW2C3A001 Compact Polymer Headlight [online]. Retrieved from the internet: <<http://www.favourlight.com/products/headlight/details/phw2c3a001>>.

Pelican 2745 Headlamp [online]. Retrieved from the internet: <<http://www.pelican.com/us/en/pro/product/tactical-dive-flashlights-headlamps/headlamp/standard/2745/>>.

Pelican 2765 Headlamp [online]. Retrieved from the internet: <<http://www.pelican.com/us/en/pro/product/tactical-dive-flashlights-headlamps/headlamp/standard/2765/>>.

Pelican 2780 Headlamp [online]. Retrieved from the internet: <<http://www.pelican.com/us/en/product/tactical-dive-flashlights-headlamps/headlamp/standard/2780/>>.

Pelican 2785 Headlamp [online]. Retrieved from the internet: <<http://www.pelican.com/us/en/pro/product/tactical-dive-flashlights-headlamps/headlamp/standard/2785/>>.

Black Diamond Storm Headlamp [online]. Retrieved from the internet: <http://blackdiamondequipment.com/en_US/headlamps-and-lanterns/storm-BD620633_cfg.html#cgid=lighting&start=1>.

Princeton TEC EOS LED Headlamp [online]. Retrieved from the internet: <<http://www.princetonotec.com/eos>>.

Princeton TEC Quad LED Headlamp [online]. Retrieved from the internet: <<http://www.princetonotec.com/quad>>.

Tikka Hybrid Concept Compact Headlamp [online]. Retrieved from the internet: <<https://www.petzl.com/I/en/Sport/CLASSIC-headlamps/TIKKA#.WWaoYGjythE>>.

Favourlight AH82C1N003 LED Headlight [online]. [Retrieved on Sep. 21, 2017] Retrieved from the internet: <<http://favourlight.com/products/headlight/details/ah82c1n003>>.

* cited by examiner

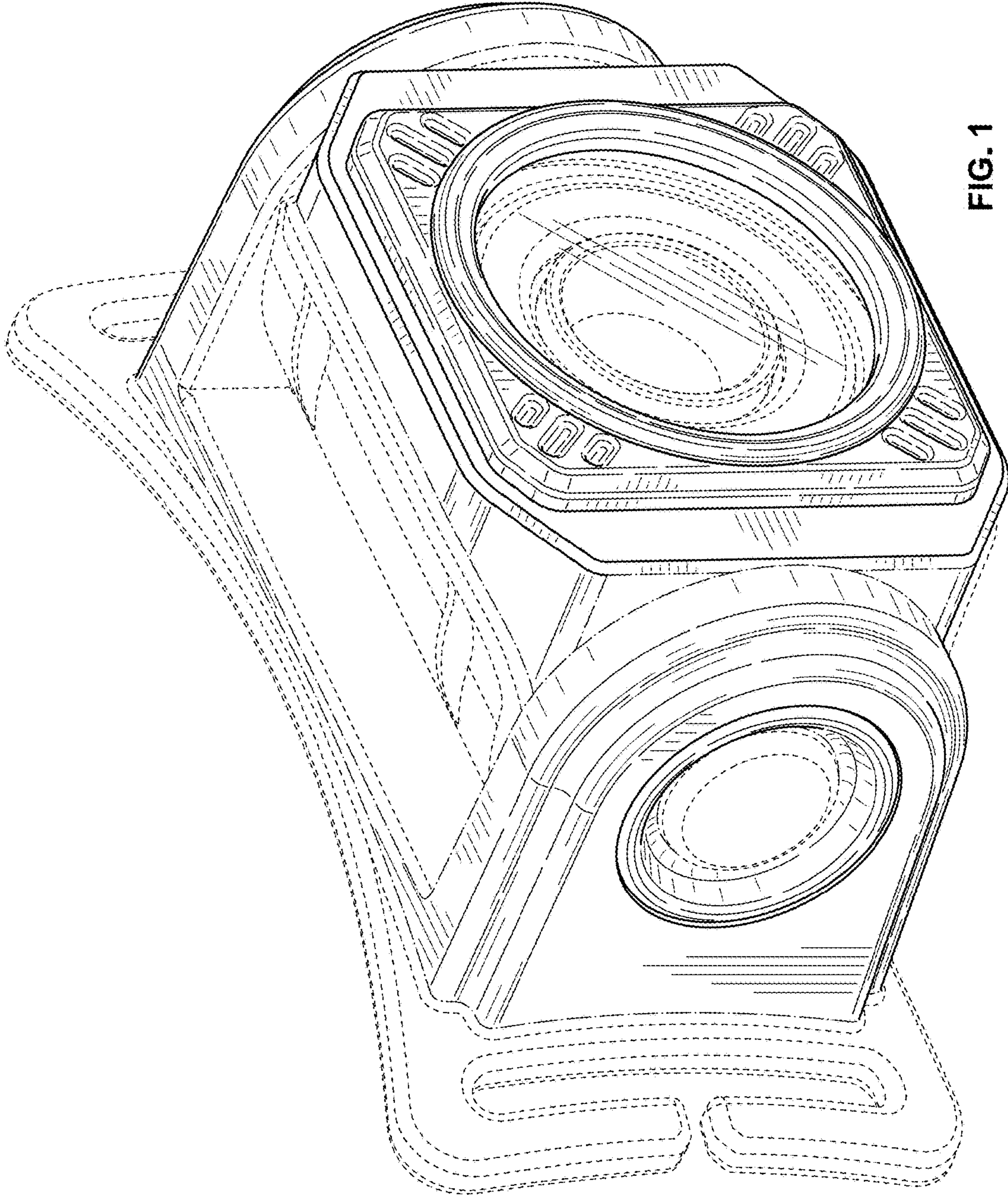


FIG. 1

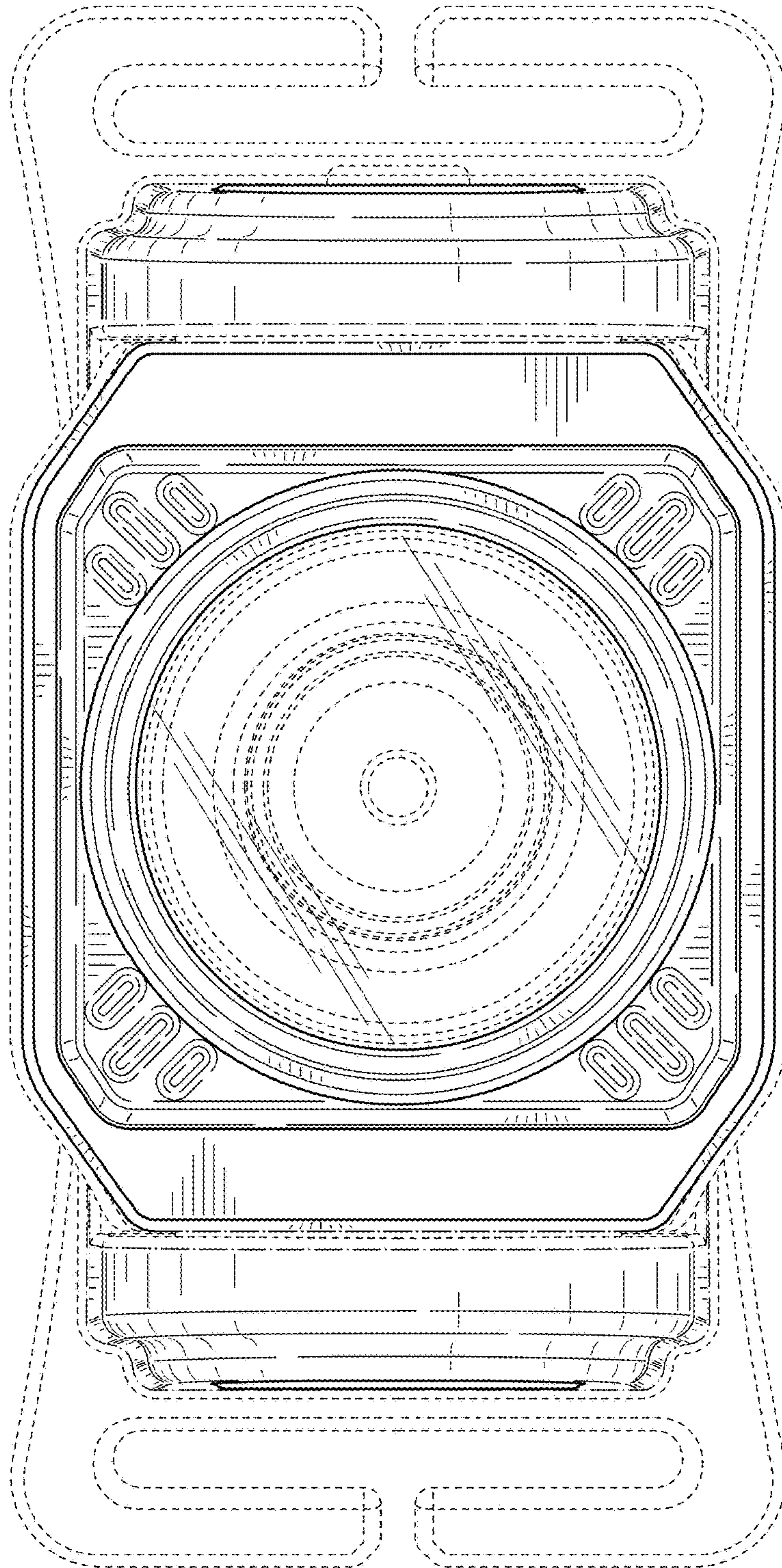


FIG. 2

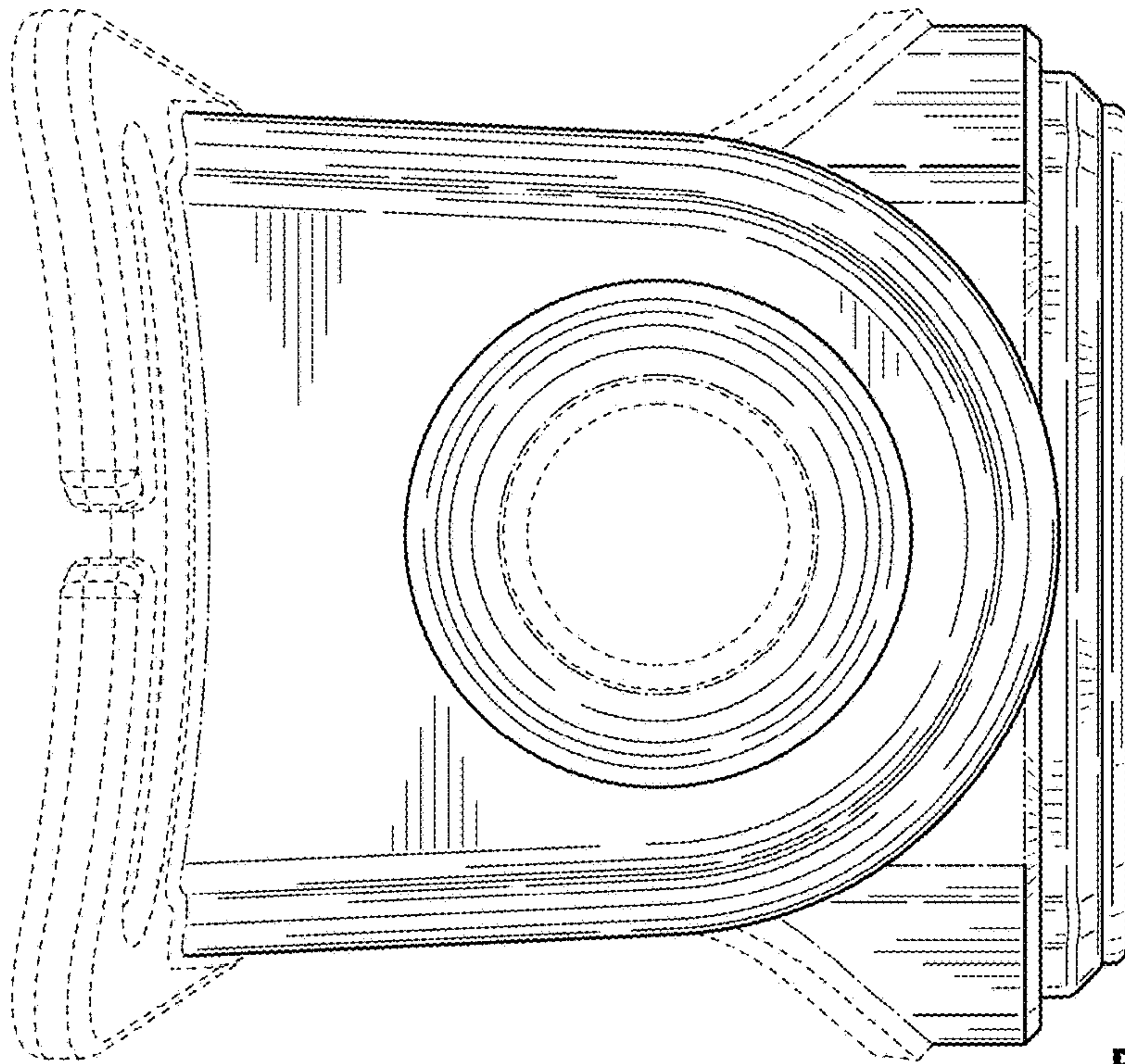


FIG. 3

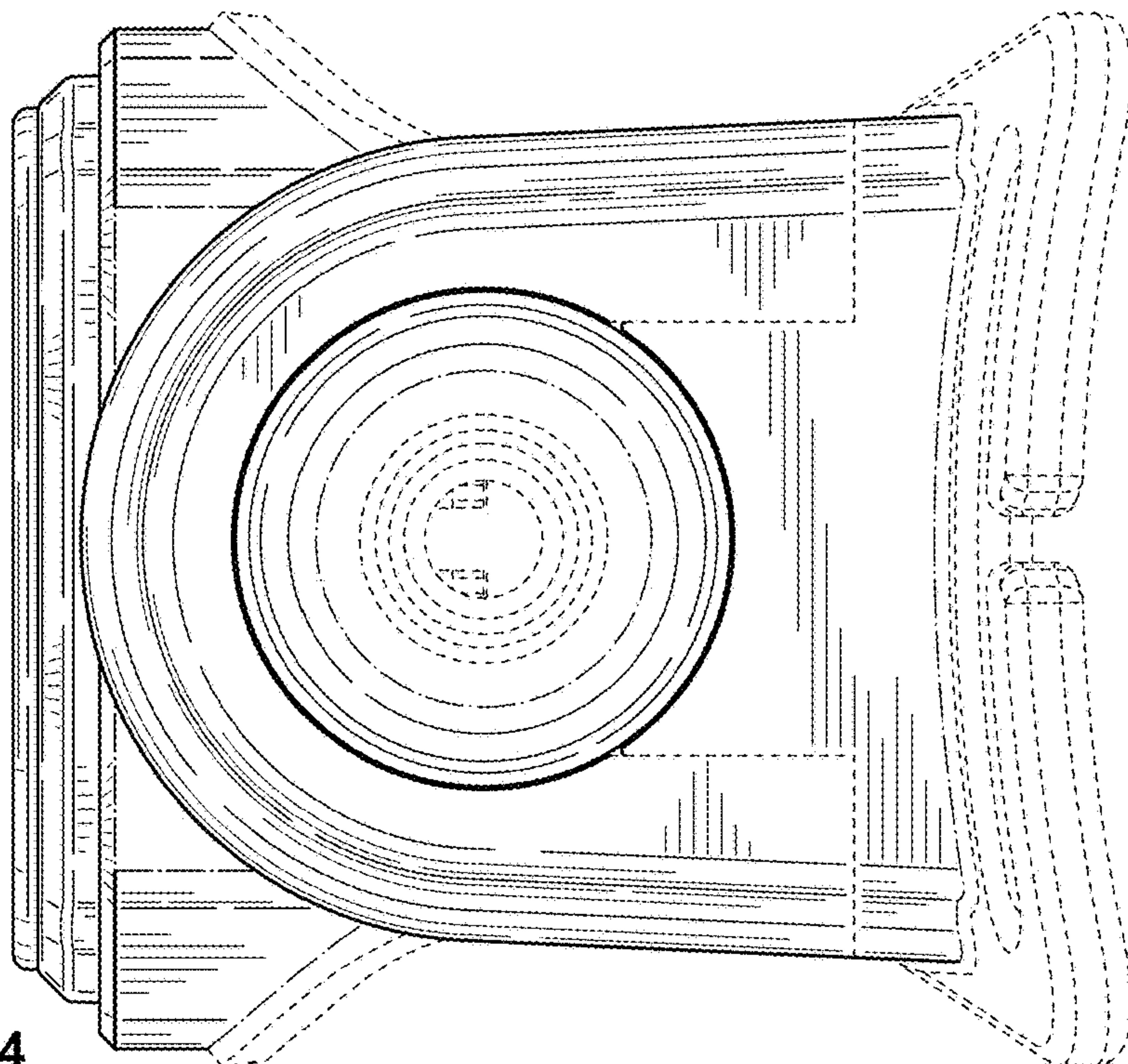


FIG. 4

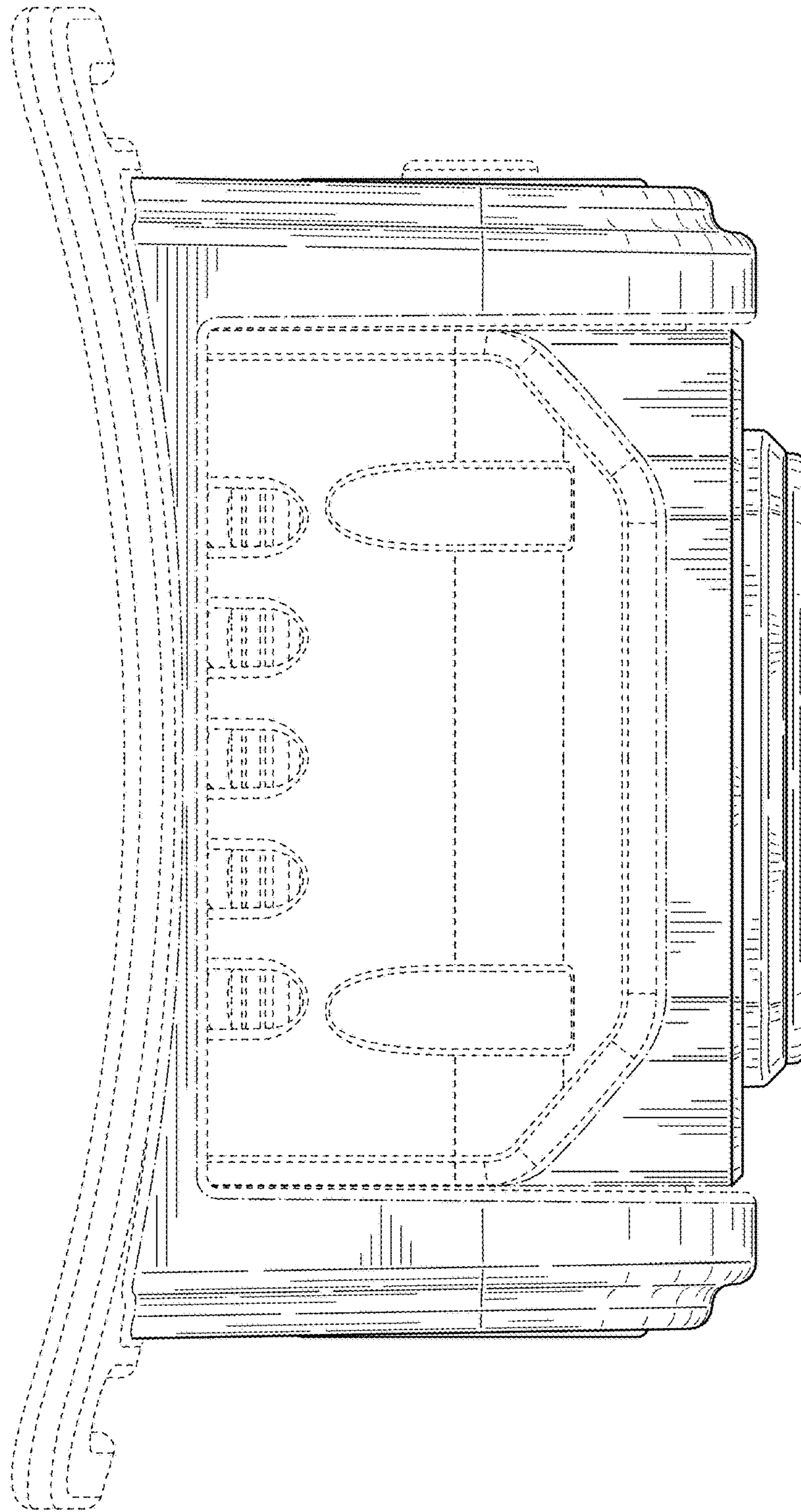


FIG. 5

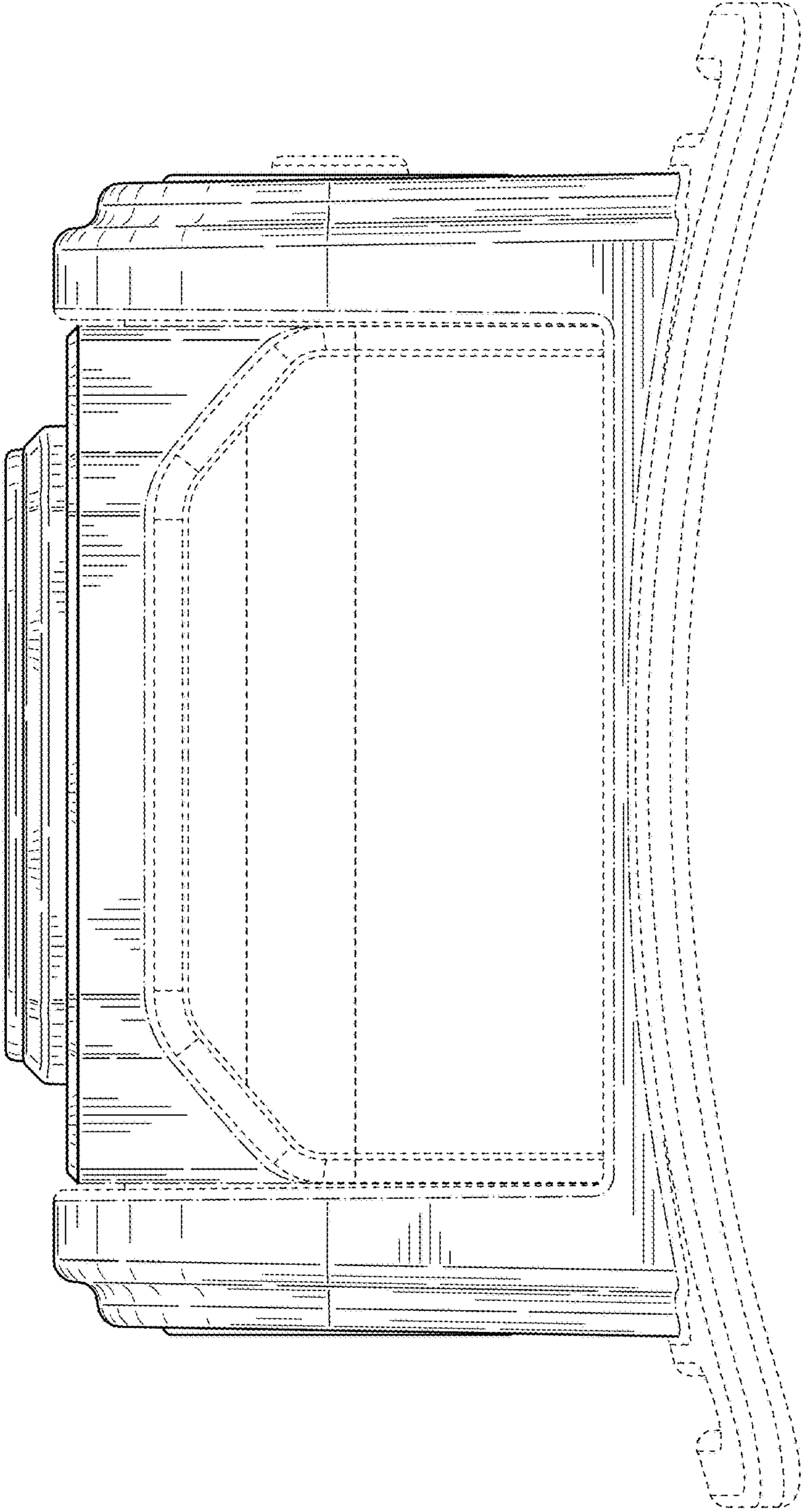


FIG. 6