



US00D864447S

(12) **United States Design Patent** (10) **Patent No.:** **US D864,447 S**
Kim et al. (45) **Date of Patent:** **** Oct. 22, 2019**

(54) **REAR COMBINATION LAMP FOR AN AUTOMOBILE**

F21V 21/04; B60Q 1/30; B60Q 1/2607;
B60Q 1/2696; B62J 6/00; B62J 6/04
See application file for complete search history.

(71) Applicants: **HYUNDAI MOTOR COMPANY**,
Seoul (KR); **KIA MOTORS CORPORATION**, Seoul (KR)

(56) **References Cited**

U.S. PATENT DOCUMENTS

(72) Inventors: **Gyu Bong Kim**, Suwon-si (KR); **Ji Won Ha**, Suwon-si (KR); **Jun Hyuk Yim**, Seoul (KR)

D708,363	S	*	7/2014	Park	D26/28
D739,057	S	*	9/2015	Park	D26/28
D739,574	S	*	9/2015	Park	D26/28
D774,220	S	*	12/2016	Lim	D26/28
D781,471	S	*	3/2017	Han	D26/28
D785,833	S	*	5/2017	Lee	D26/28
D785,837	S	*	5/2017	Lee	D26/28
D788,956	S	*	6/2017	Hong	D26/28
D812,271	S	*	3/2018	Katagiri	D26/28
D815,767	S	*	4/2018	Park	D26/28
D818,162	S	*	5/2018	Ha	D26/28
D842,505	S	*	3/2019	Kim	D26/28
D846,779	S	*	4/2019	Hwang	D26/28

(73) Assignees: **Hyundai Motor Company**, Seoul (KR); **Kia Motors Corporation**, Seoul (KR)

(**) Term: **15 Years**

* cited by examiner

(21) Appl. No.: **35/505,741**

Primary Examiner — Natasha Vujcic

(22) Filed: **Mar. 27, 2018**

(74) *Attorney, Agent, or Firm* — Mintz Levin Cohn Ferris Glovsky and Popeo, P.C.; Kongsik Kim

(80) **Hague Agreement Data**

Int. Filing Date: **Mar. 27, 2018**

Int. Reg. No.: **DM/101003**

Int. Reg. Date: **Mar. 27, 2018**

Int. Reg. Pub. Date: **Sep. 28, 2018**

(57) **CLAIM**

The ornamental design for a rear combination lamp for an automobile, as shown and described.

(30) **Foreign Application Priority Data**

DESCRIPTION

Sep. 29, 2017 (KR) 30-2017-0046318

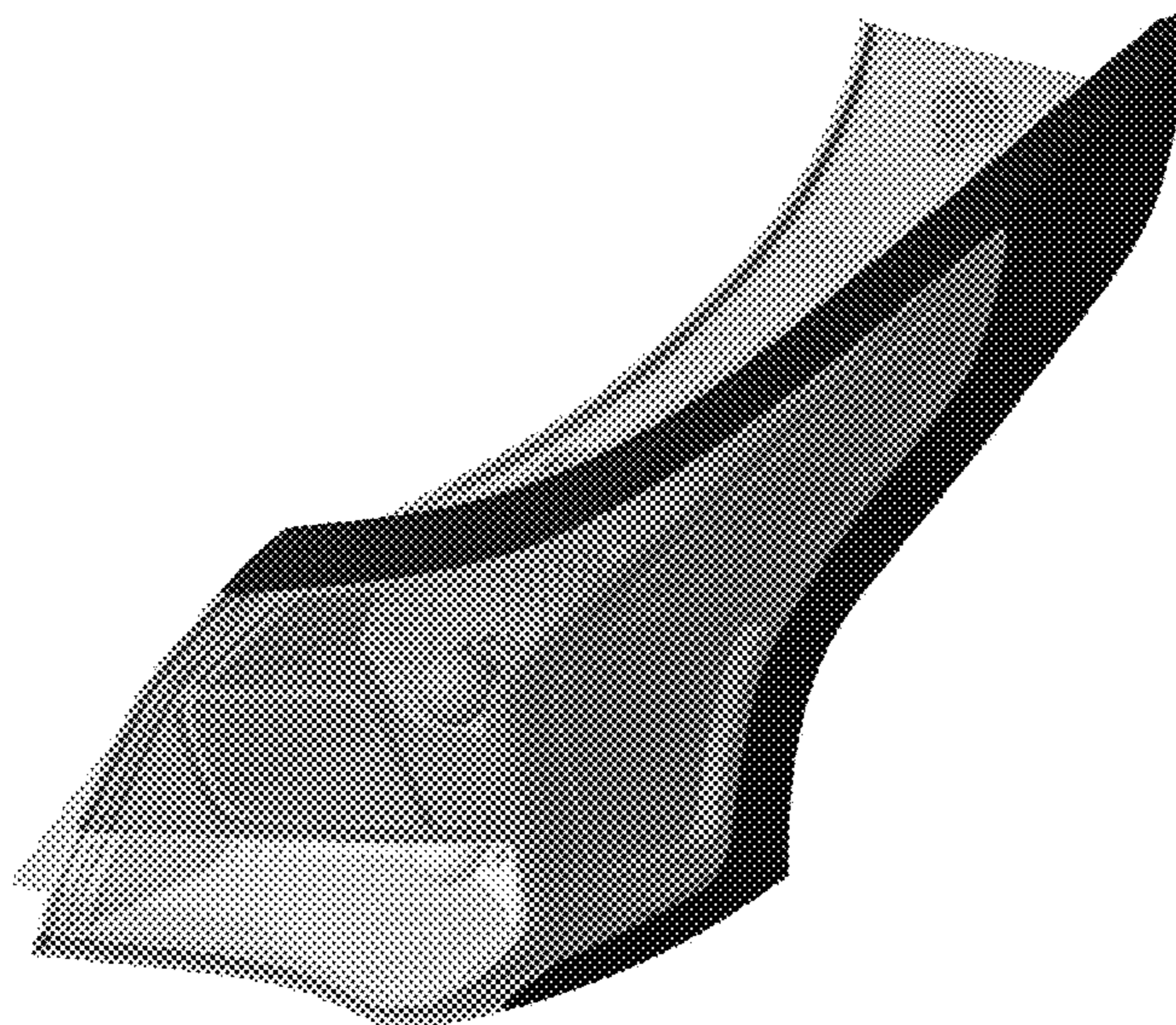
(51) **LOC (12) Cl.** **26-06**

(52) **U.S. Cl.**
USPC **D26/28**

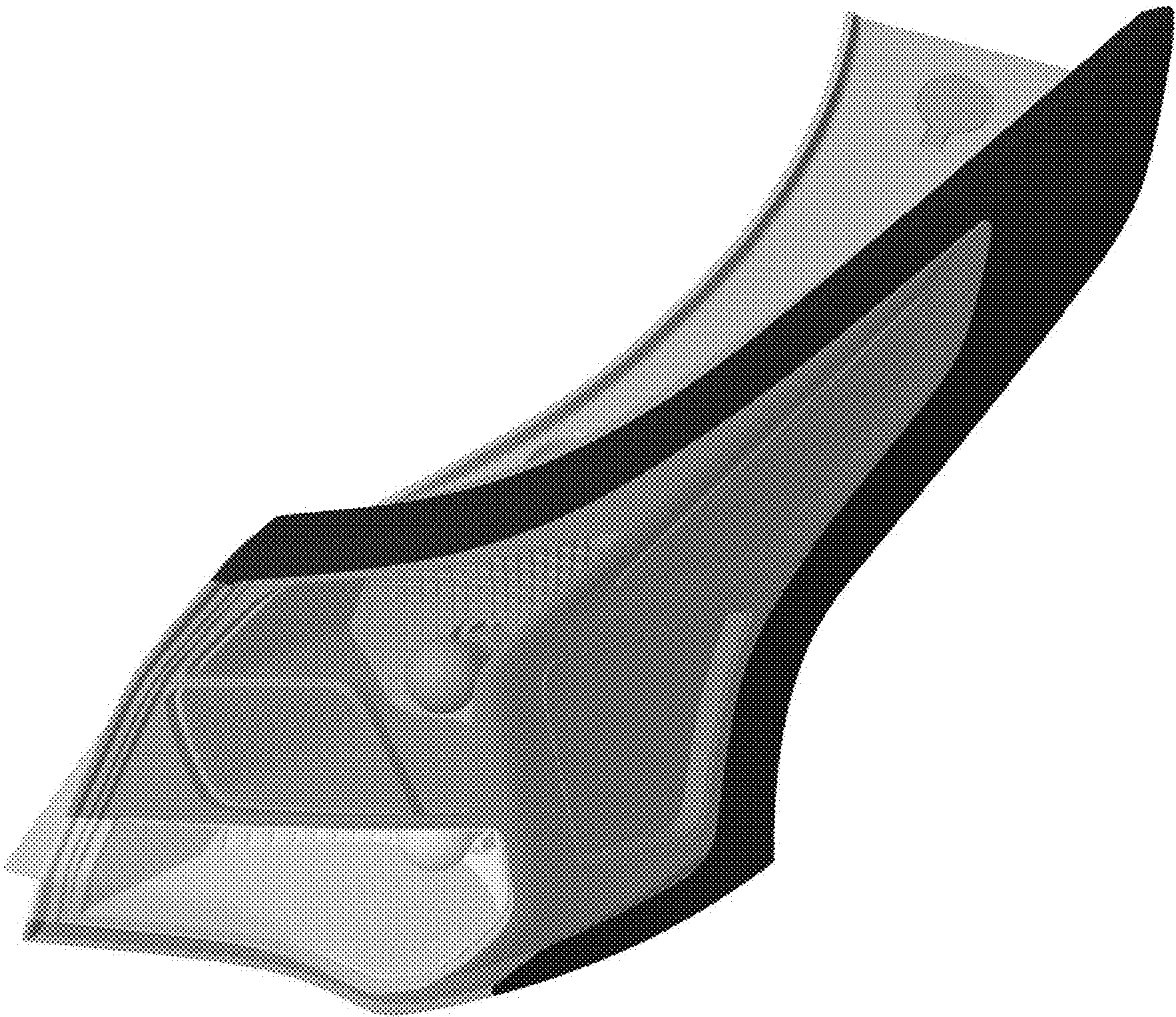
(58) **Field of Classification Search**
USPC D26/28
CPC F21S 48/00; F21S 48/10; F21S 48/115;
F21S 48/225; F21S 48/1233; F21S 48/1266; F21S 48/1388; F21S 48/2266;

1. Rear combination lamp for an automobile
- 1.1 : Perspective
- 1.2 : Front
- 1.3 : Back
- 1.4 : Left
- 1.5 : Right
- 1.6 : Top
- 1.7 : Bottom

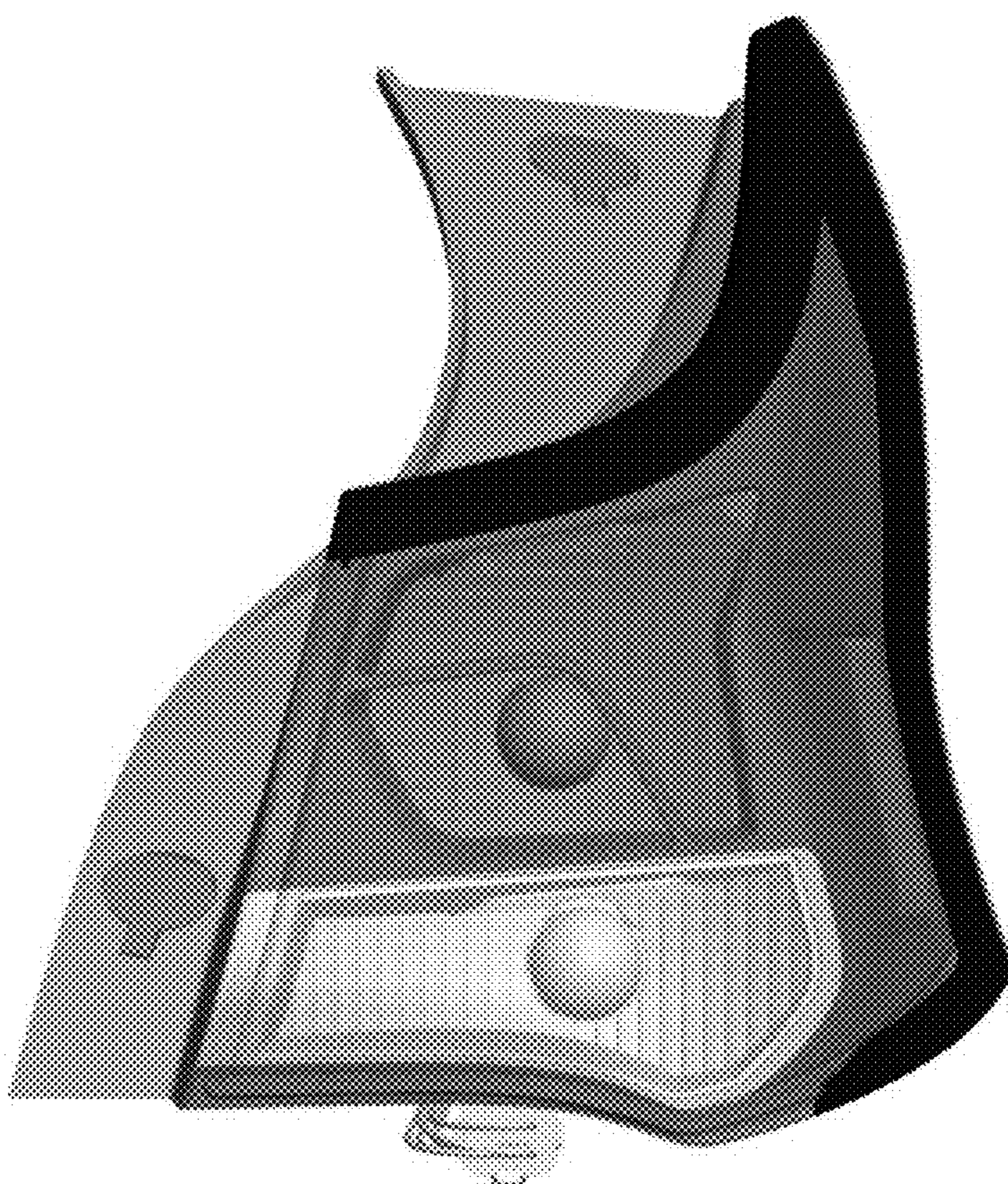
1 Claim, 7 Drawing Sheets



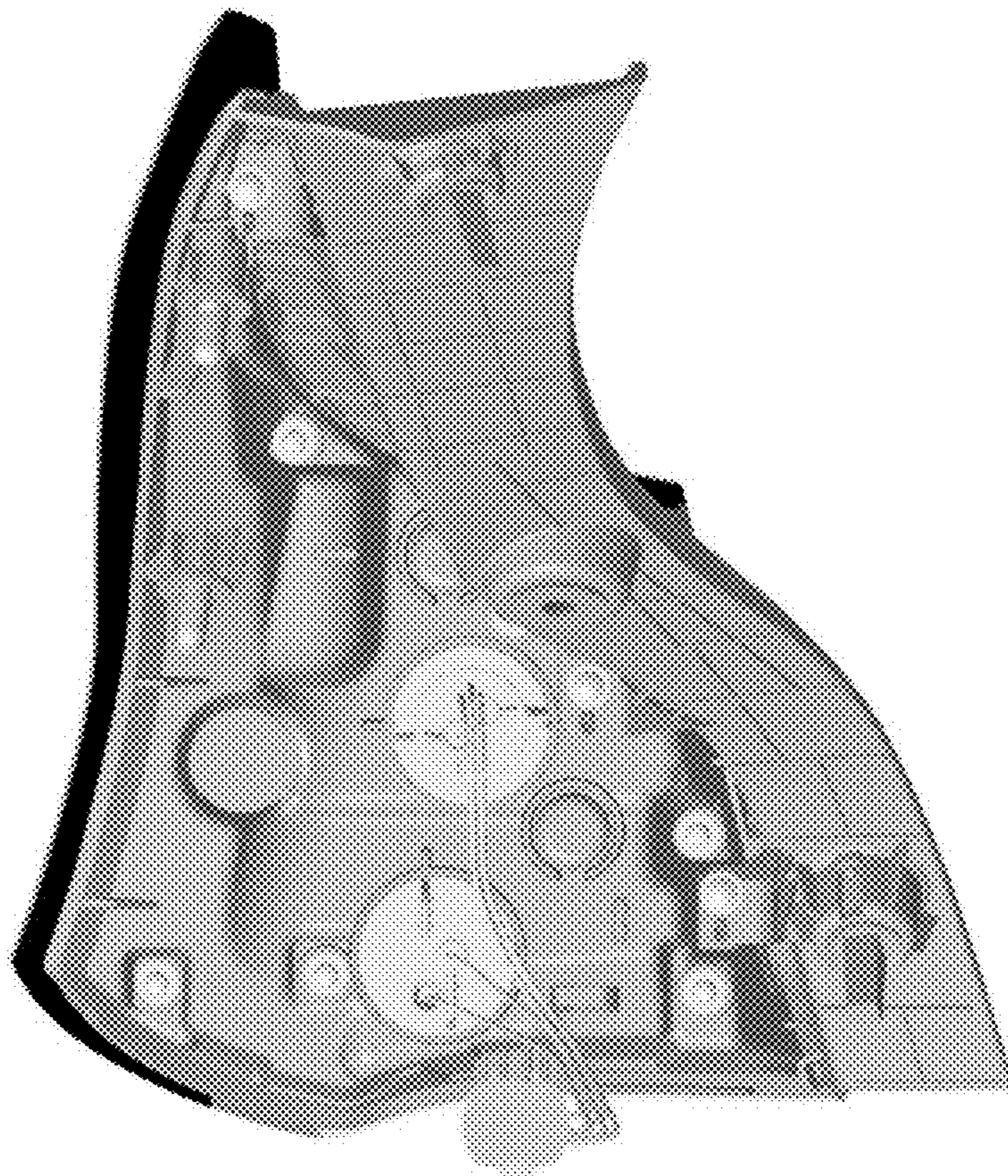
1.1



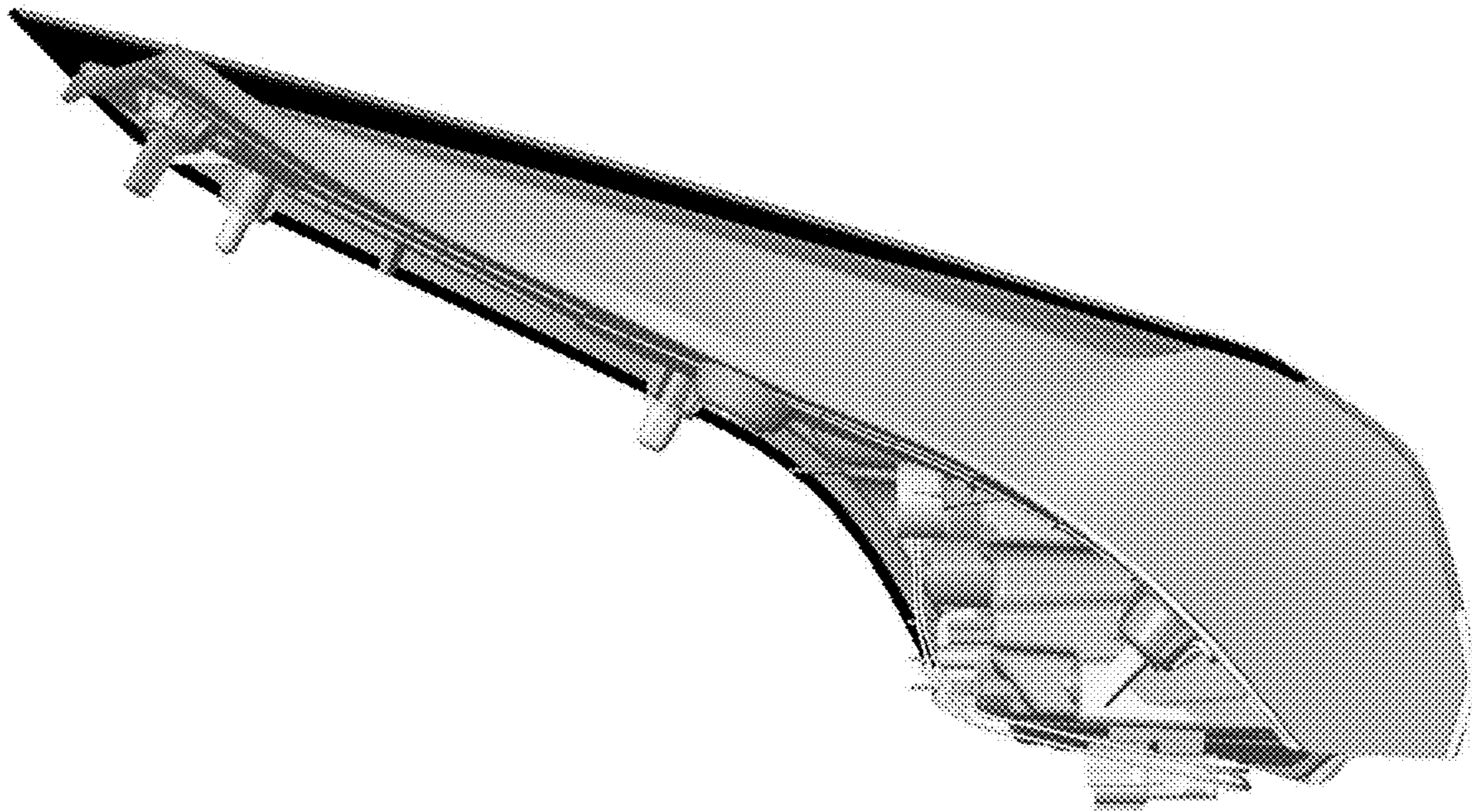
1.2



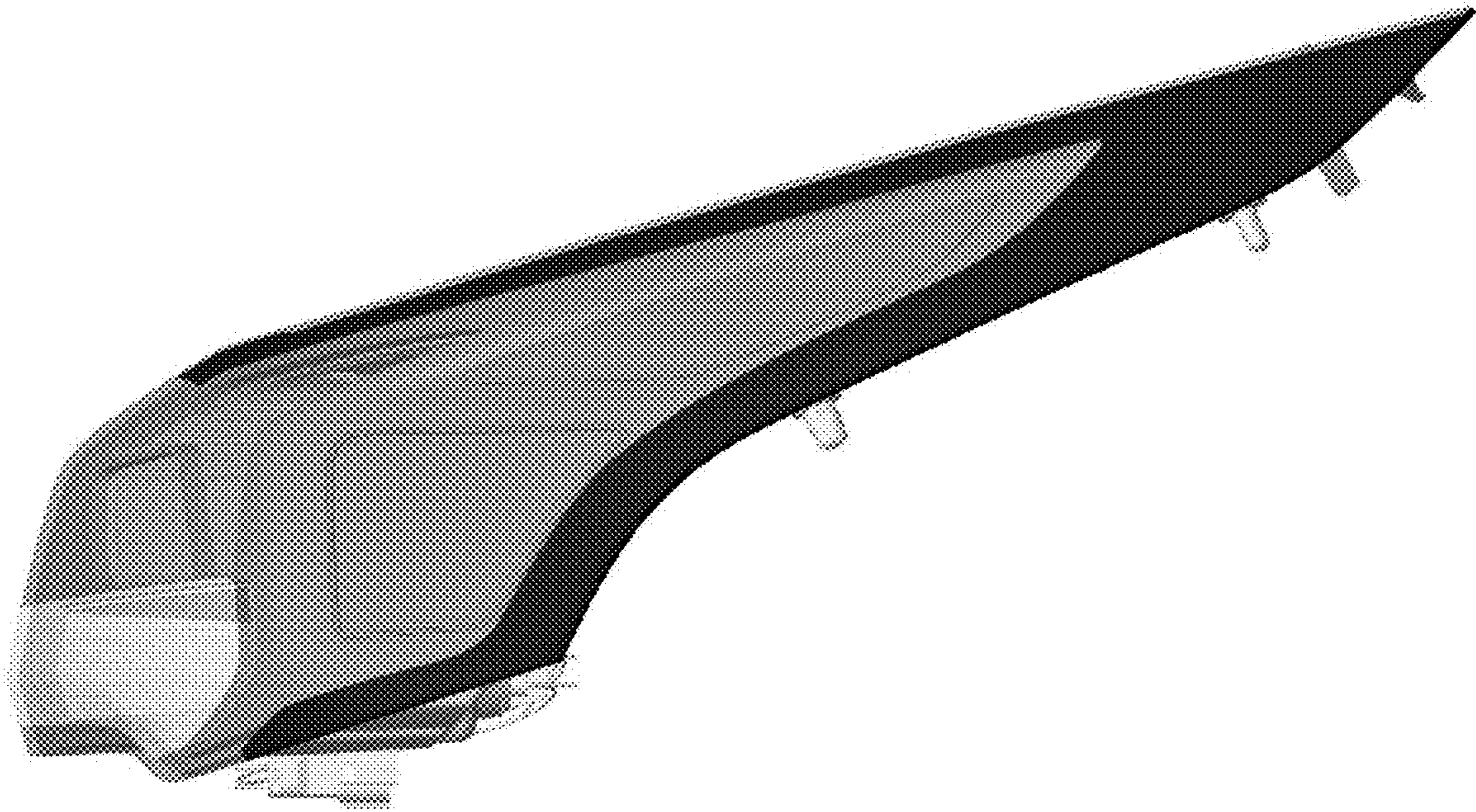
1.3



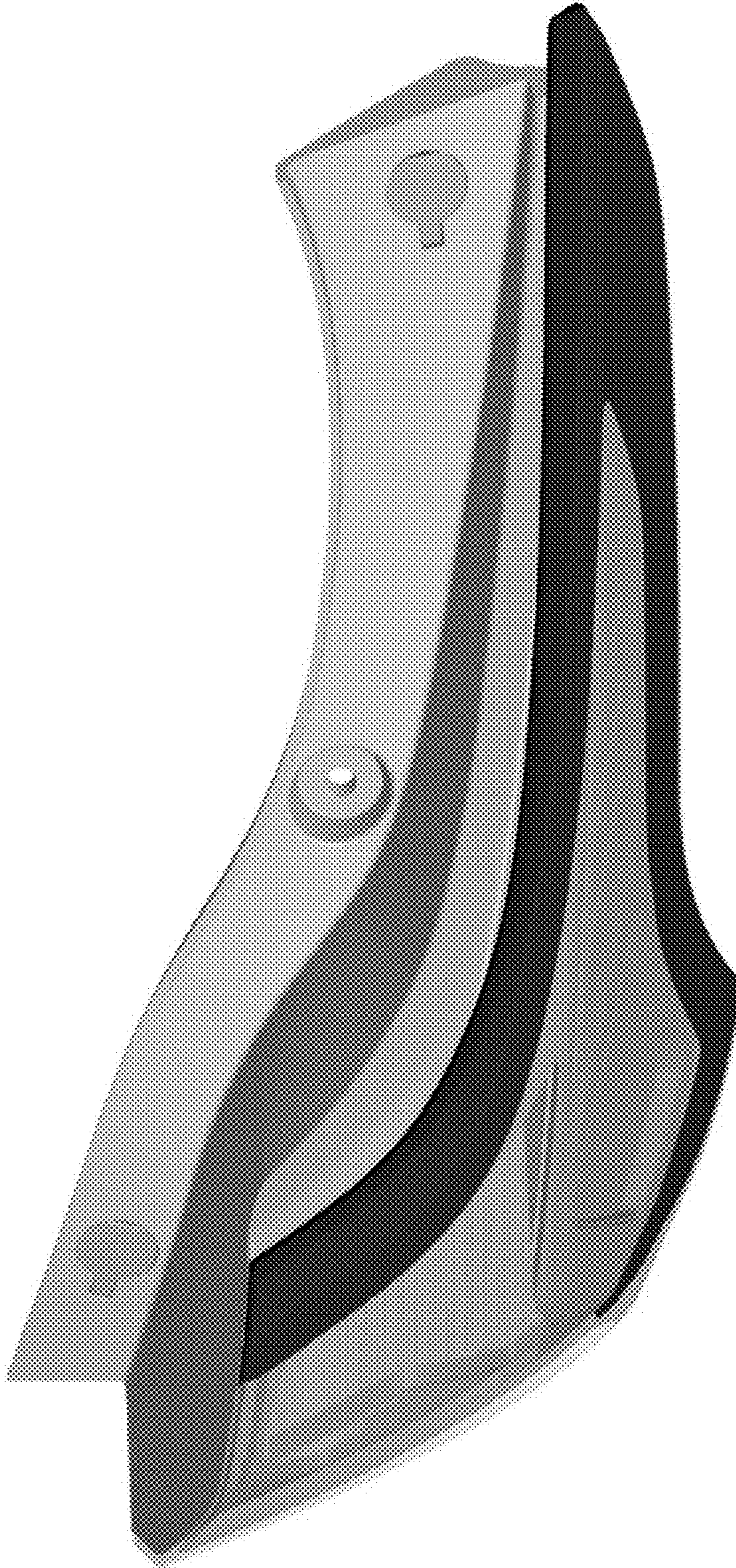
1.4



1.5



1.6



1.7

