



US00D864446S

(12) **United States Design Patent** (10) **Patent No.:** **US D864,446 S**
Lai (45) **Date of Patent:** **** Oct. 22, 2019**

(54) **AUTOMOBILE HEADLIGHT**
(71) Applicant: **Ching-Tsung Lai**, Tainan (TW)
(72) Inventor: **Ching-Tsung Lai**, Tainan (TW)
(**) Term: **15 Years**
(21) Appl. No.: **29/664,803**
(22) Filed: **Sep. 27, 2018**
(51) **LOC (12) Cl.** **26-06**
(52) **U.S. Cl.**
USPC **D26/28**
(58) **Field of Classification Search**
USPC D26/28-36, 139
CPC F21S 48/00; F21S 48/10; F21S 48/115;
F21S 48/225; F21S 48/1233; F21S
48/1266; F21S 48/1388; F21S 48/2268;
F21V 5/00; B60Q 9/13; B60Q 9/135;
B60Q 9/1375
See application file for complete search history.

D626,670 S * 11/2010 Metzger D26/28
D688,400 S * 8/2013 Haumann D26/28
D716,477 S * 10/2014 Chu D26/28
D718,478 S * 11/2014 Adams D26/28

* cited by examiner

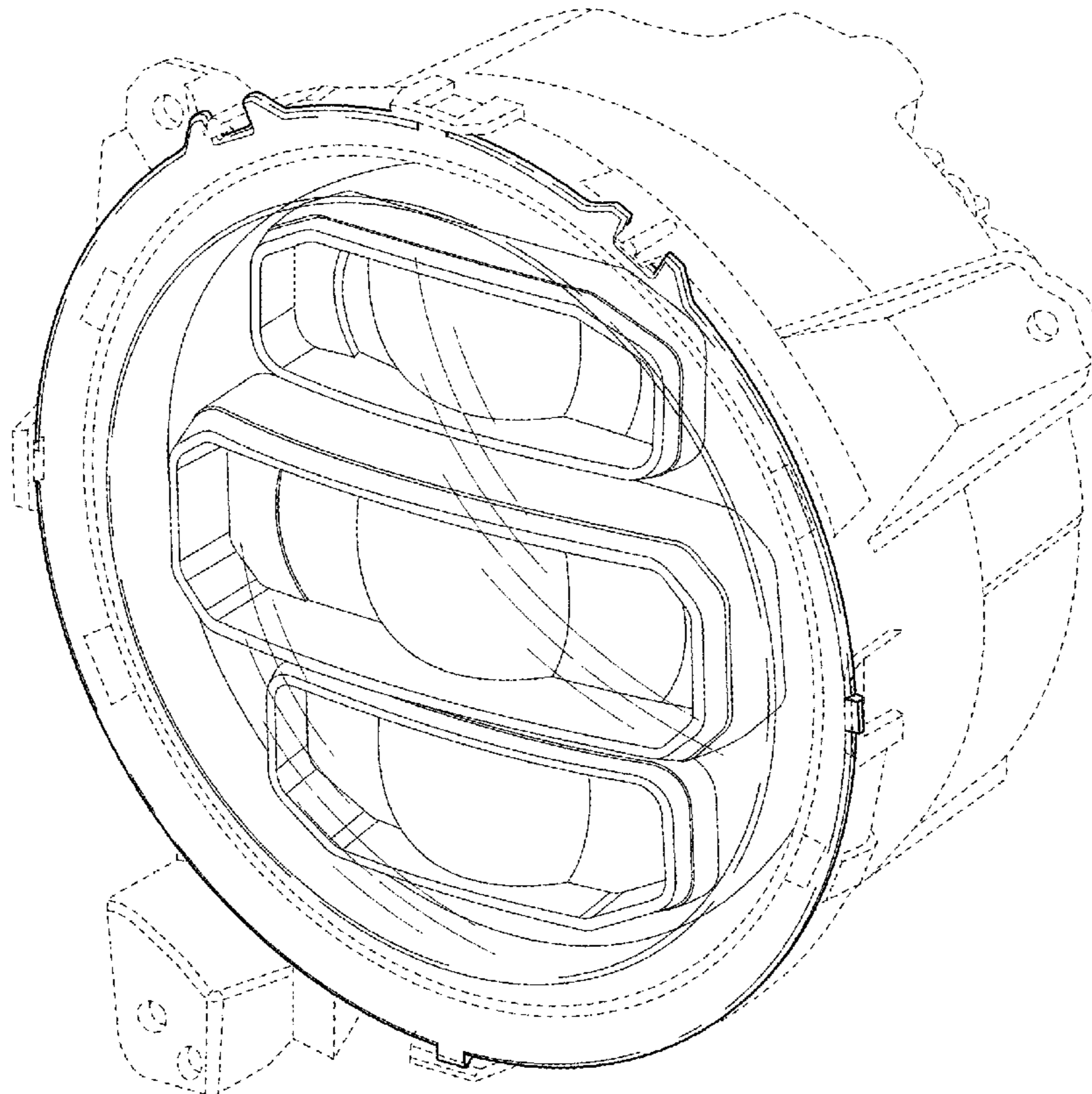
Primary Examiner — Marcus A Jackson
(74) *Attorney, Agent, or Firm* — Alexander Chen, Esq.;
INHOUSE CO. Law Firm

(56) **References Cited**
U.S. PATENT DOCUMENTS
D490,172 S * 5/2004 Yamamoto D26/28
D564,683 S * 3/2008 Roach D26/28

(57) **CLAIM**
The ornamental design for an automobile headlight, as shown and described.

DESCRIPTION
FIG. 1 is a perspective view of an automobile headlight;
FIG. 2 is a front view thereof;
FIG. 3 is a side view thereof; and,
FIG. 4 is a top view thereof.
The broken lines are included to show environmental structure and form no part of the claimed design. The drawings and descriptions represent the left side embodiment. The claim is also for a mirror image right side embodiment.

1 Claim, 4 Drawing Sheets



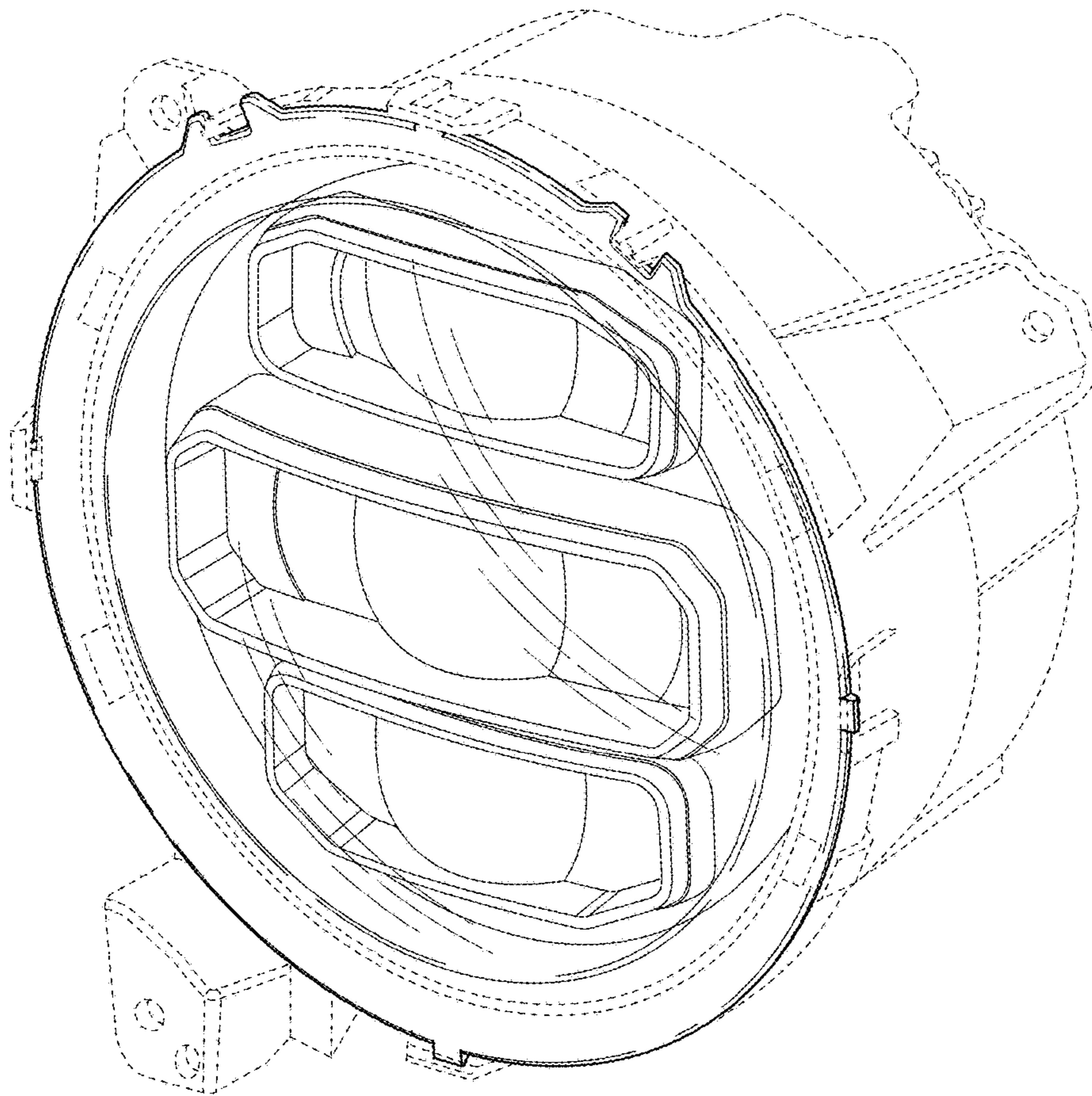


FIG. 1

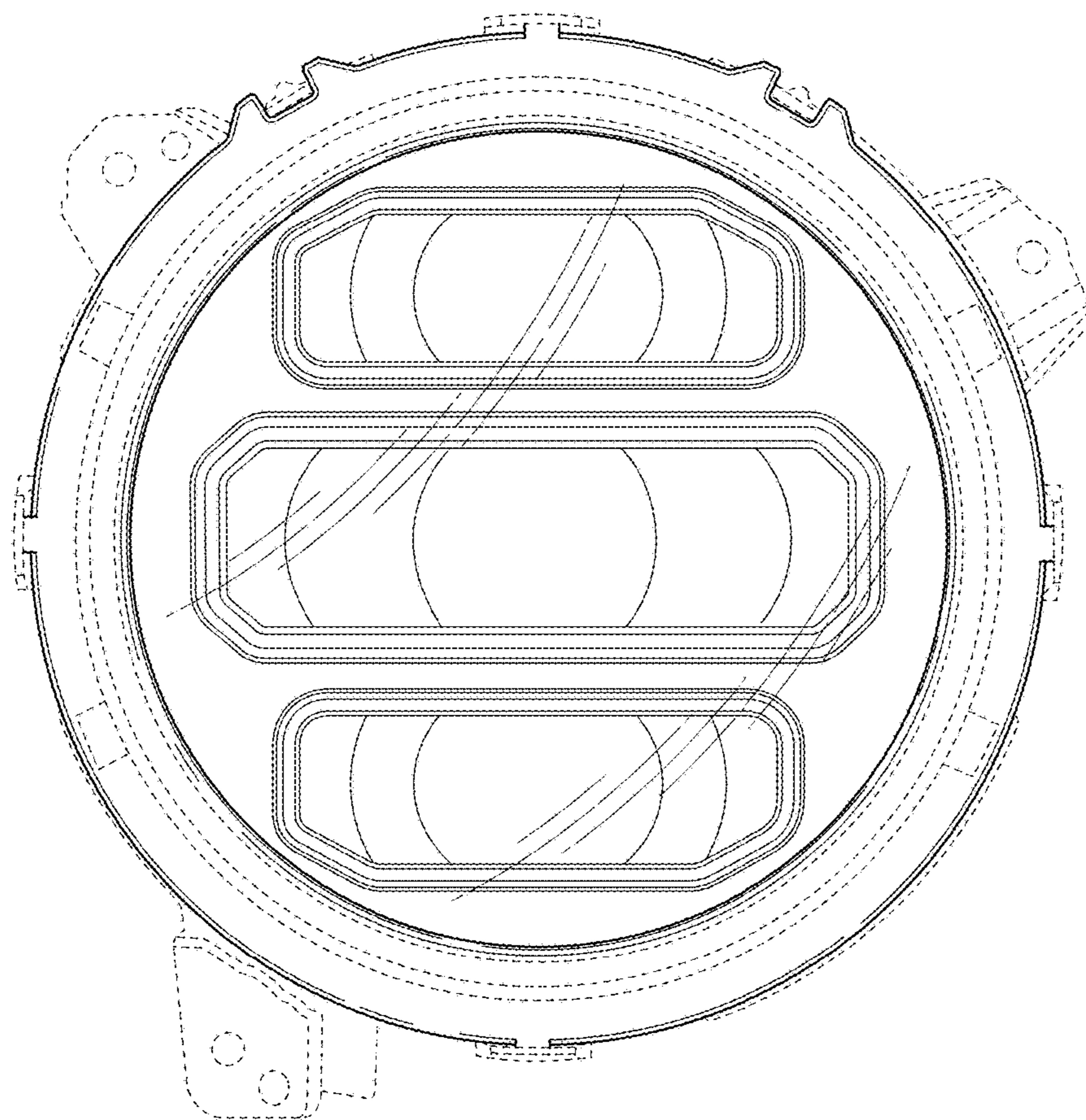


FIG. 2

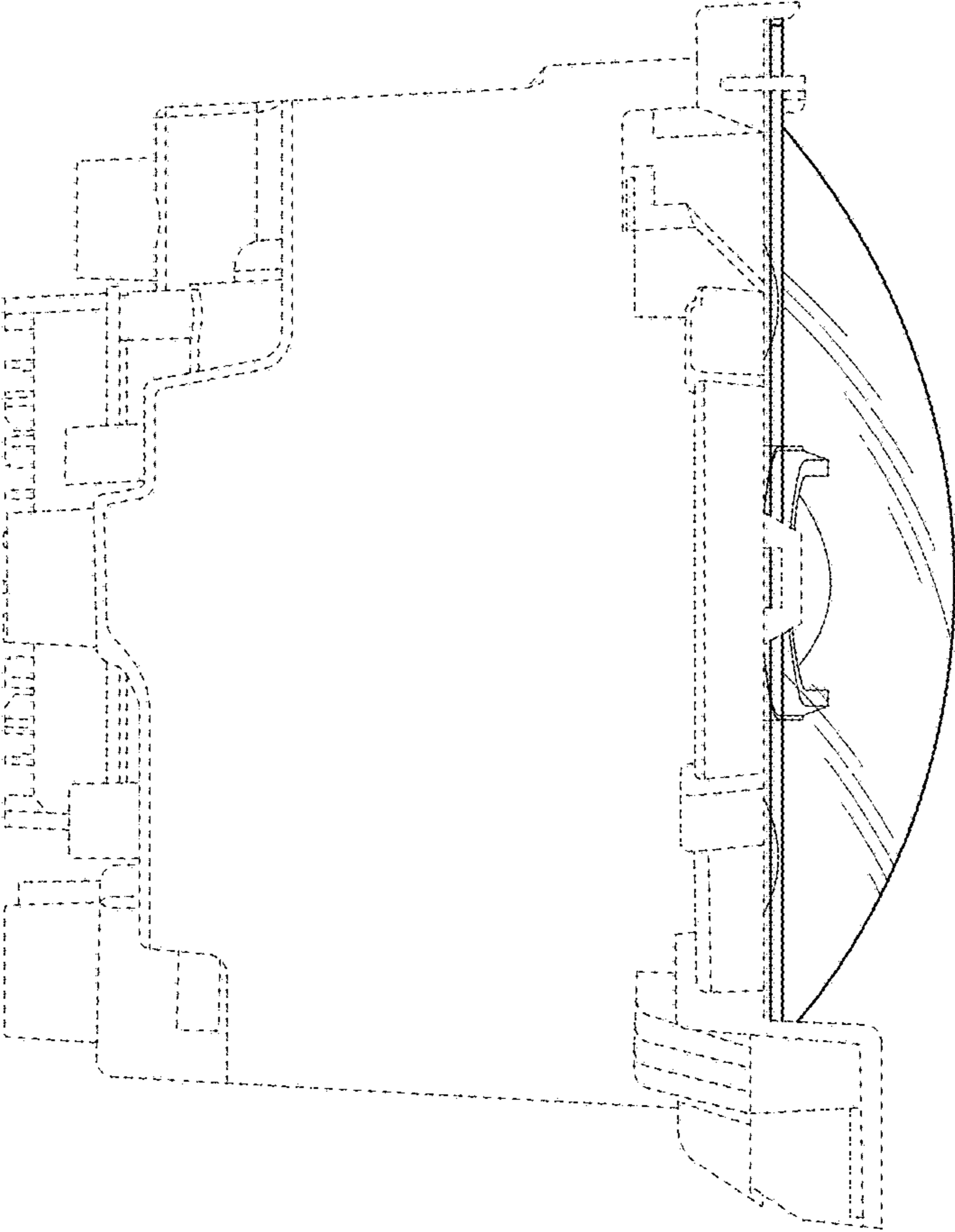


FIG. 3

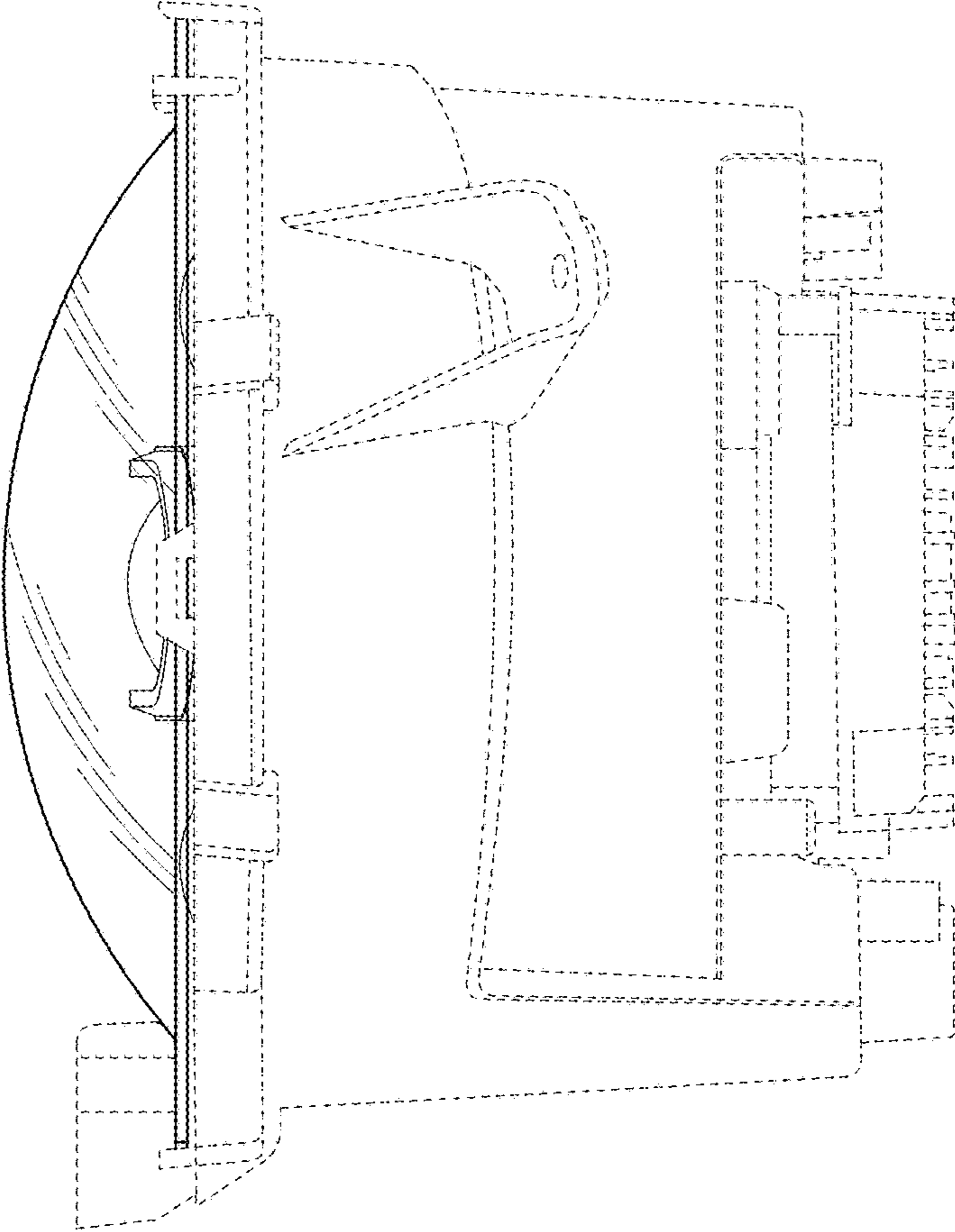


FIG. 4