

US00D864444S

(12) **United States Design Patent**
Lin

(10) **Patent No.:** **US D864,444 S**

(45) **Date of Patent:** **** Oct. 22, 2019**

(54) **AUTOMOBILE BACK LIGHT**

D532,537 S * 11/2006 Shiu D26/39
D564,683 S * 3/2008 Roach D26/28
D638,963 S * 5/2011 Huang D26/28

(71) Applicant: **Chi-Chung Lin**, Hsinchu (TW)

* cited by examiner

(72) Inventor: **Chi-Chung Lin**, Hsinchu (TW)

Primary Examiner — Marcus A Jackson

(**) Term: **15 Years**

(74) *Attorney, Agent, or Firm* — Alexander Chen, Esq.;
INHOUSE CO. Law Firm

(21) Appl. No.: **29/661,224**

(22) Filed: **Aug. 25, 2018**

(51) **LOC (12) Cl.** **26-06**

(57) **CLAIM**

(52) **U.S. Cl.**

USPC **D26/28**

The ornamental design for an automobile back light, as shown and described.

(58) **Field of Classification Search**

USPC D26/28–36, 139

CPC F21S 48/00; F21S 48/10; F21S 48/115;

F21S 48/225; F21S 48/1233; F21S

48/1266; F21S 48/1388; F21S 48/2268;

F21V 21/04; B60Q 9/13; B60Q 9/135;

B60Q 9/1375

See application file for complete search history.

DESCRIPTION

FIG. 1 is a perspective view of an automobile back light;
FIG. 2 is a front view thereof; and,
FIG. 3 is a side view thereof.

The broken lines are included to show environmental structure and form no part of the claimed design. The drawings and descriptions represent the left side embodiment. The claim is also for a mirror image right side embodiment.

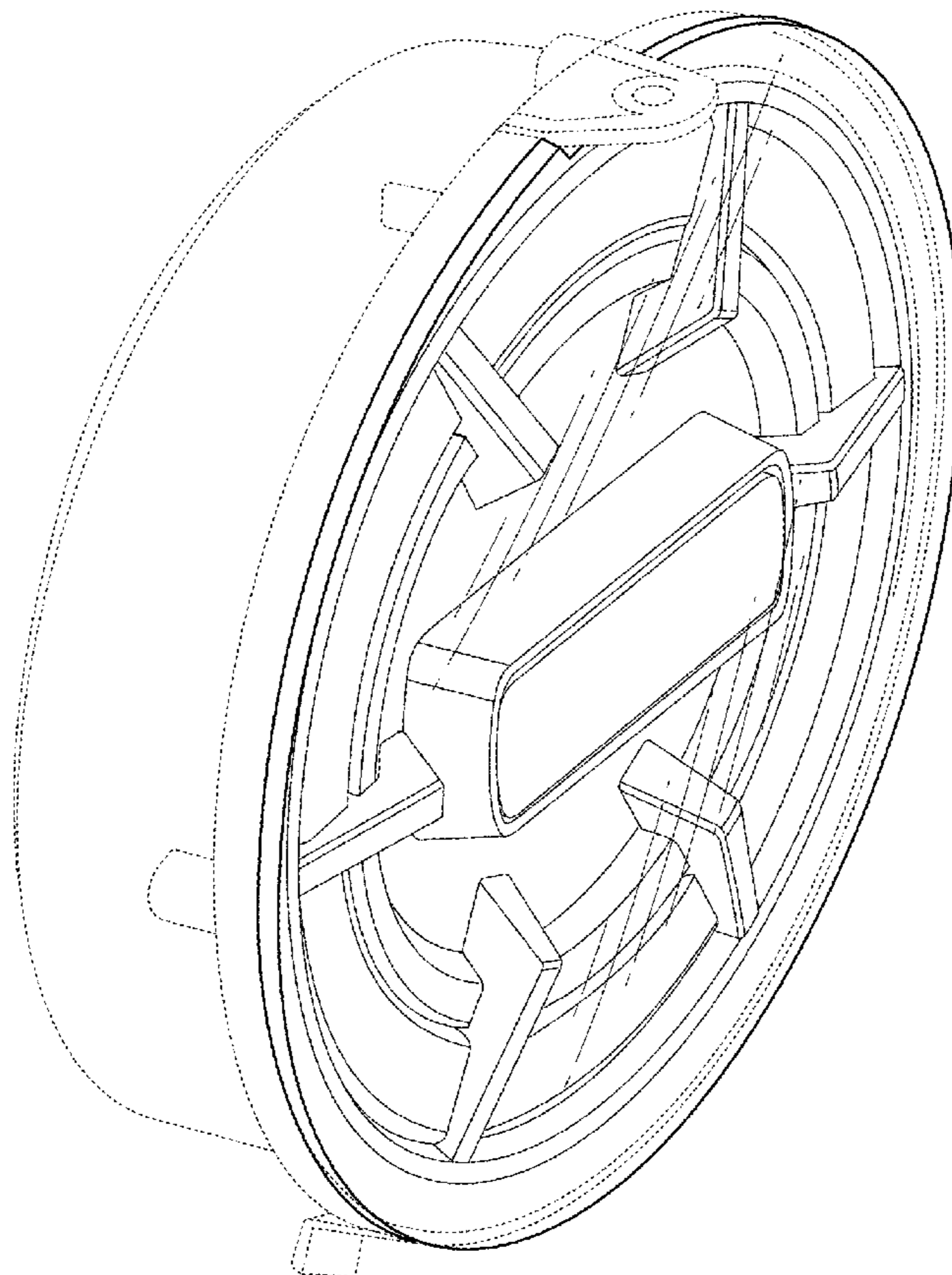
(56) **References Cited**

U.S. PATENT DOCUMENTS

D490,172 S * 5/2004 Yamamoto D26/28

D521,162 S * 5/2006 Campagna D26/28

1 Claim, 3 Drawing Sheets



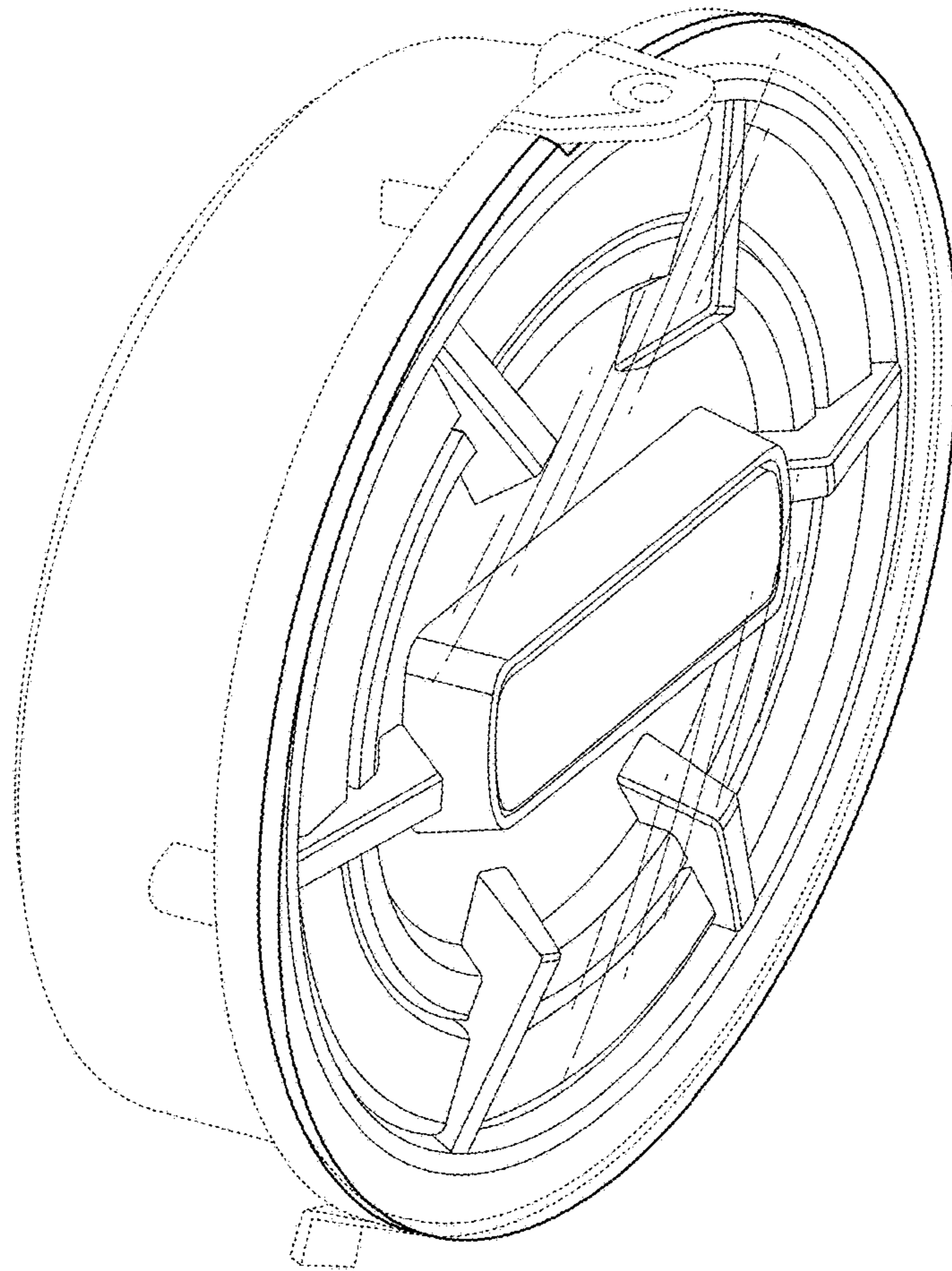


FIG. 1

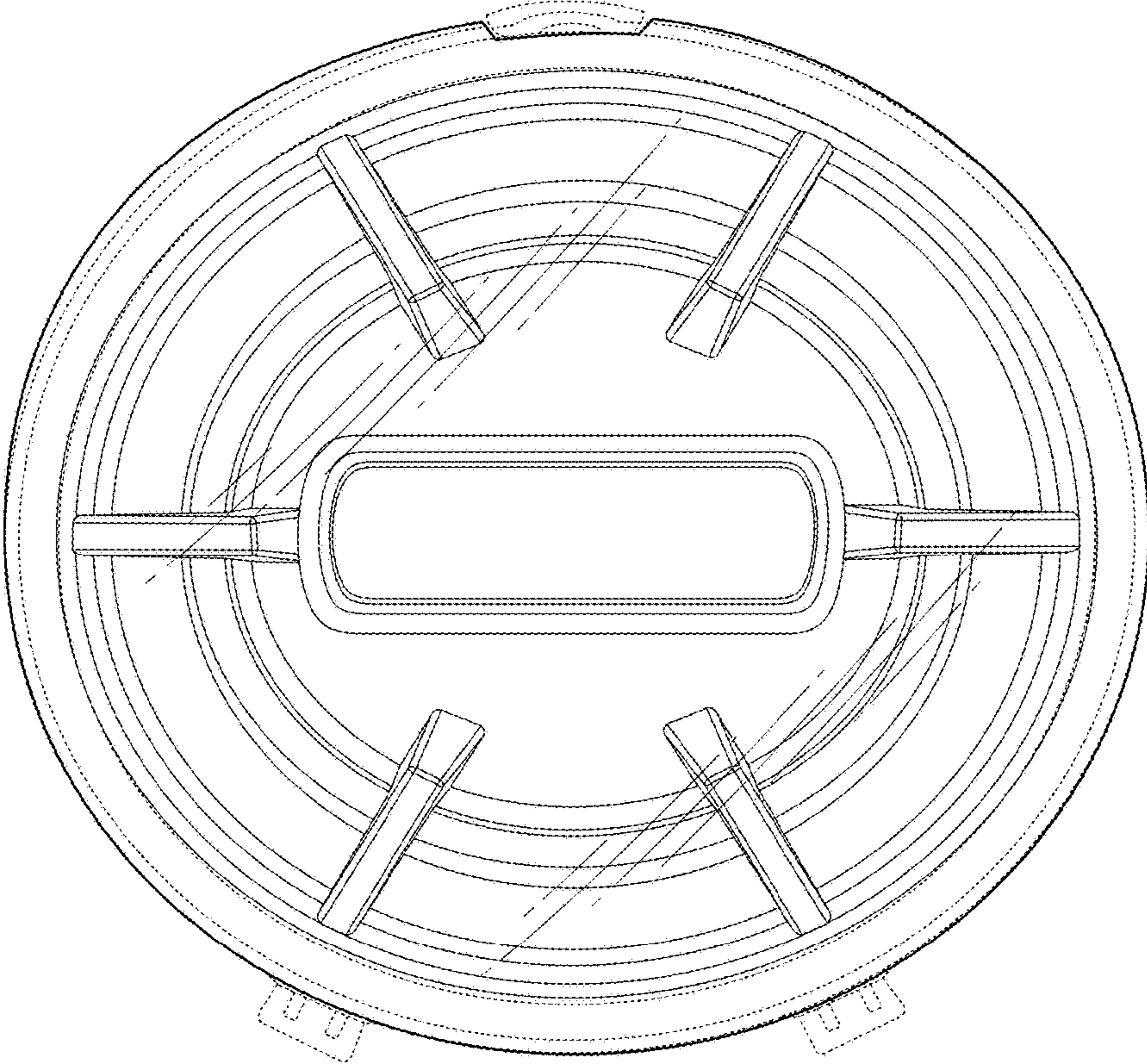


FIG. 2

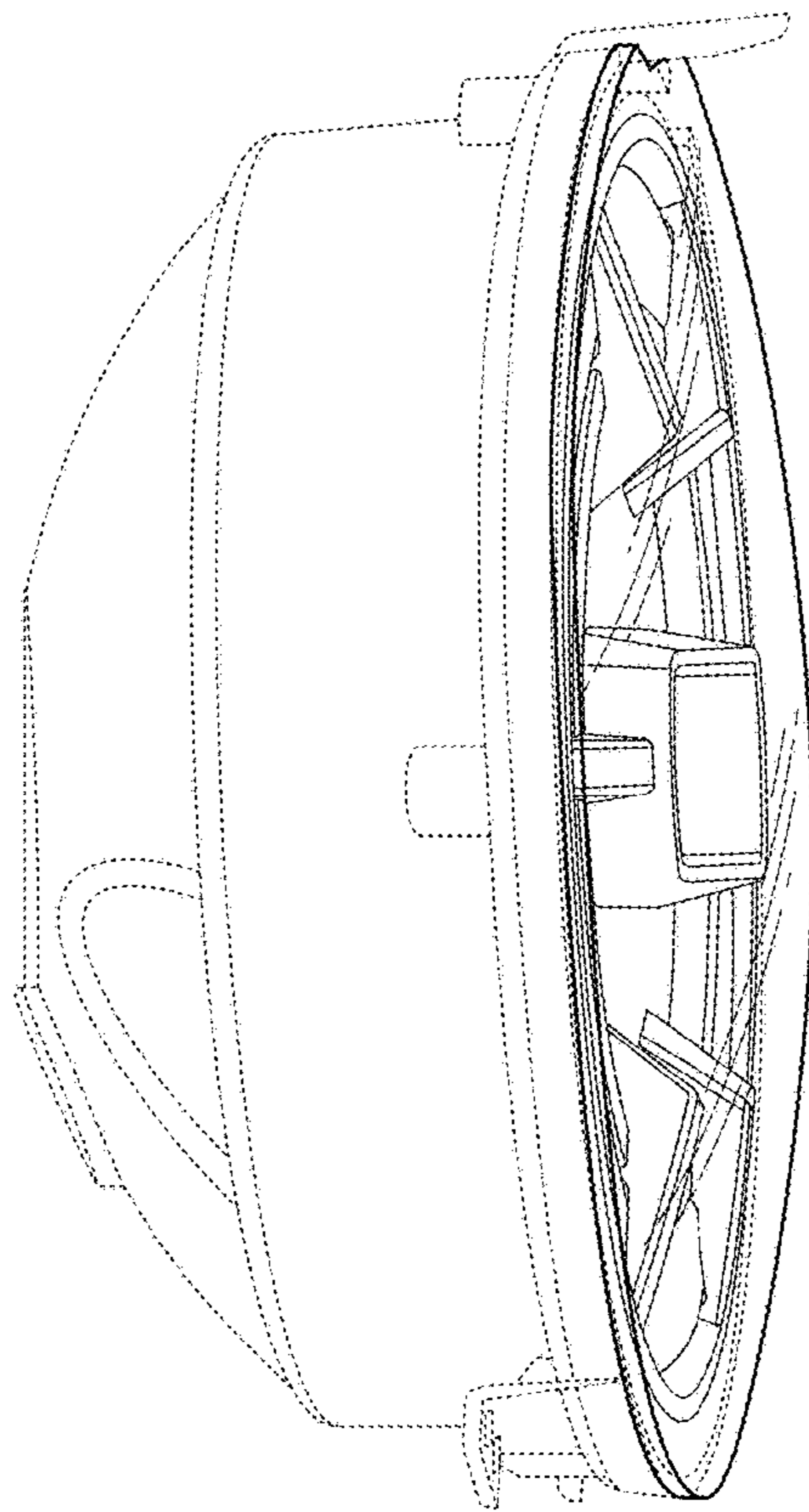


FIG. 3