

US00D864442S

(12) **United States Design Patent** (10) **Patent No.:** **US D864,442 S**
Tsai (45) **Date of Patent:** **** Oct. 22, 2019**

(54) **VEHICLE LAMP**

(56) **References Cited**

(71) Applicant: **LUCIDITY ENTERPRISE CO., LTD.**, Tainan (TW)

U.S. PATENT DOCUMENTS

(72) Inventor: **Hsi-Hsien Tsai**, Tainan (TW)

D512,790 S * 12/2005 Handsaker D26/28
D549,367 S * 8/2007 Hovind D26/28
D583,490 S * 12/2008 Rogers D26/28
D745,720 S * 12/2015 Chang D26/28

(73) Assignee: **LUCIDITY ENTERPRISE CO., LTD.**, Tainan (TW)

* cited by examiner

(**) Term: **15 Years**

Primary Examiner — Marcus A Jackson

(21) Appl. No.: **29/656,510**

(57) **CLAIM**

The ornamental design for a vehicle lamp, as shown and described.

(22) Filed: **Jul. 13, 2018**

DESCRIPTION

(51) **LOC (12) Cl.** **26-06**

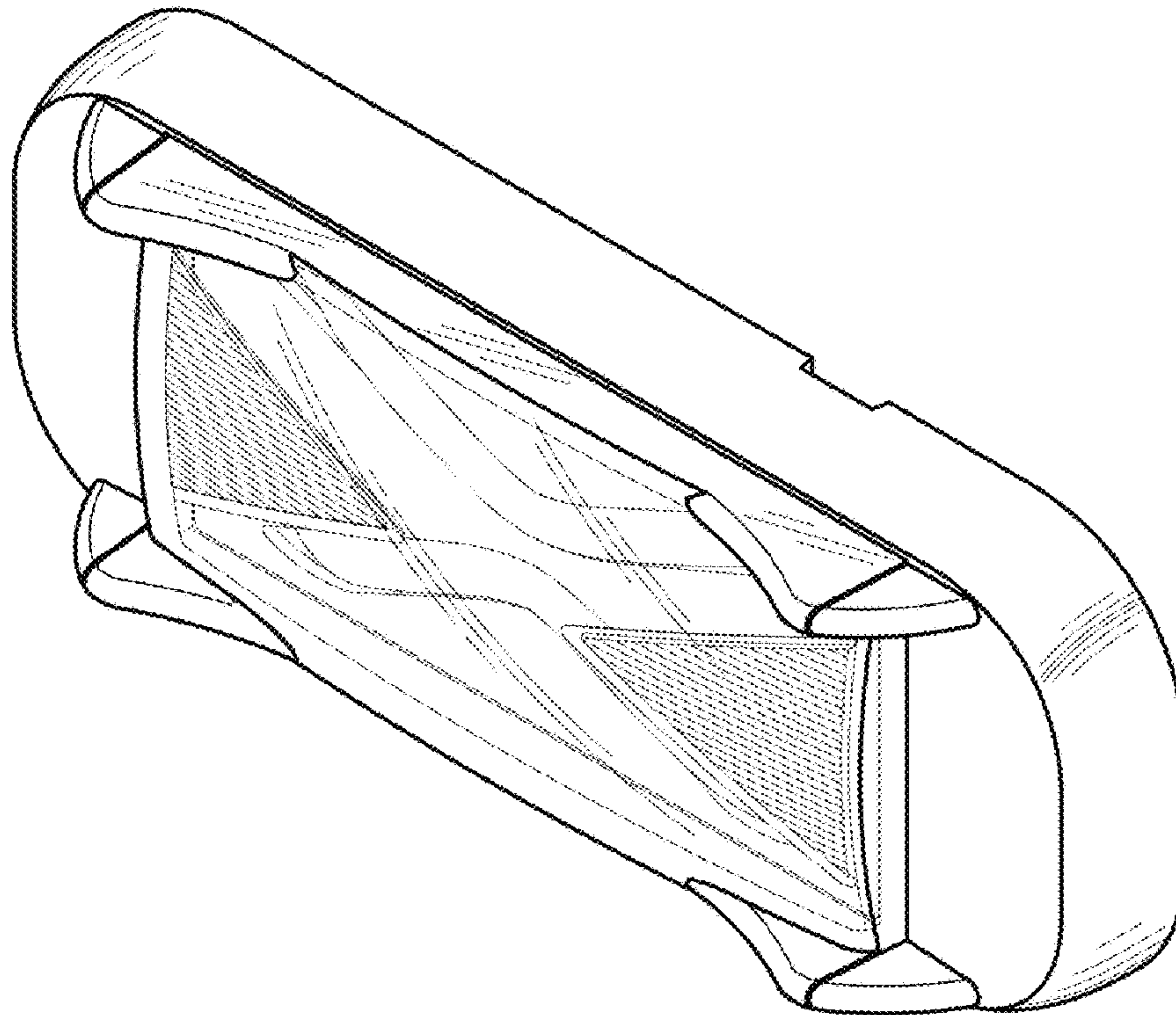
(52) **U.S. Cl.**
USPC **D26/28**

(58) **Field of Classification Search**
USPC D26/28-36, 139
CPC F21S 48/00; F21S 48/10; F21S 48/115;
F21S 48/225; F21S 48/1233; F21S
48/1266; F21S 48/1388; F21S 48/2268;
F21V 21/04; F21K 9/00; F21K 29/004

FIG. 1 is a perspective view of a vehicle lamp showing my design;
FIG. 2 is a front elevational view thereof;
FIG. 3 is a rear elevational view thereof;
FIG. 4 is a left side elevational view thereof;
FIG. 5 is a right side elevational view thereof;
FIG. 6 is a top plan view thereof; and,
FIG. 7 is a bottom plan view.

See application file for complete search history.

1 Claim, 4 Drawing Sheets



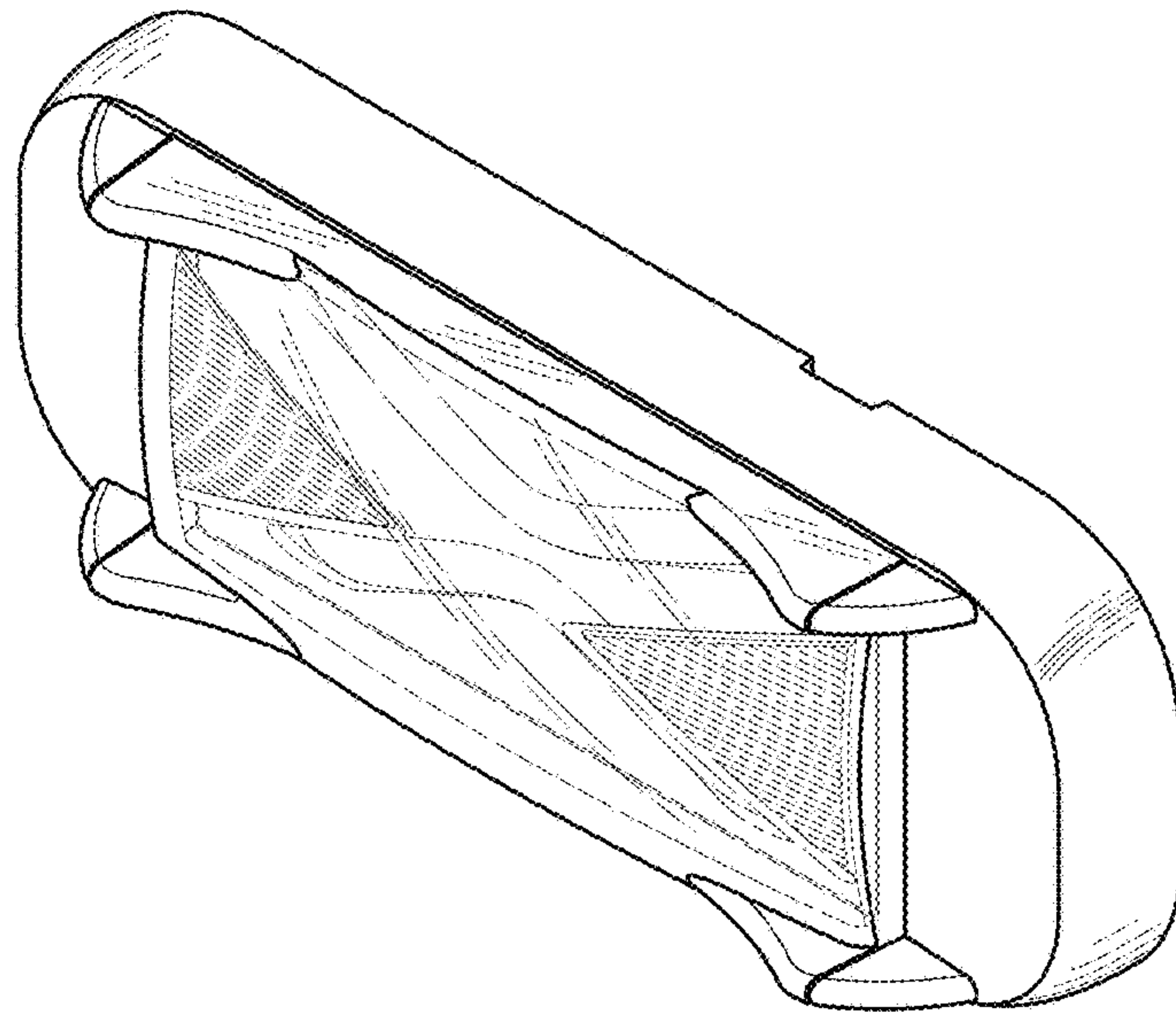


FIG.1

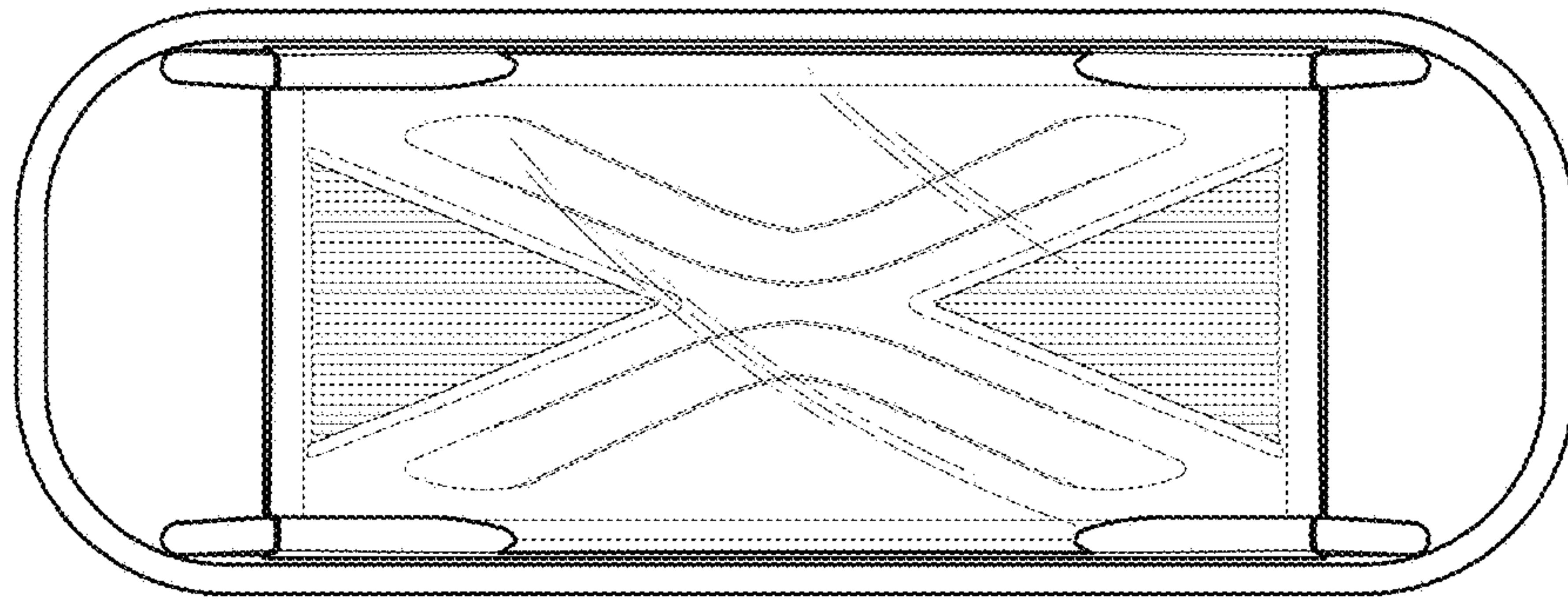


FIG. 2

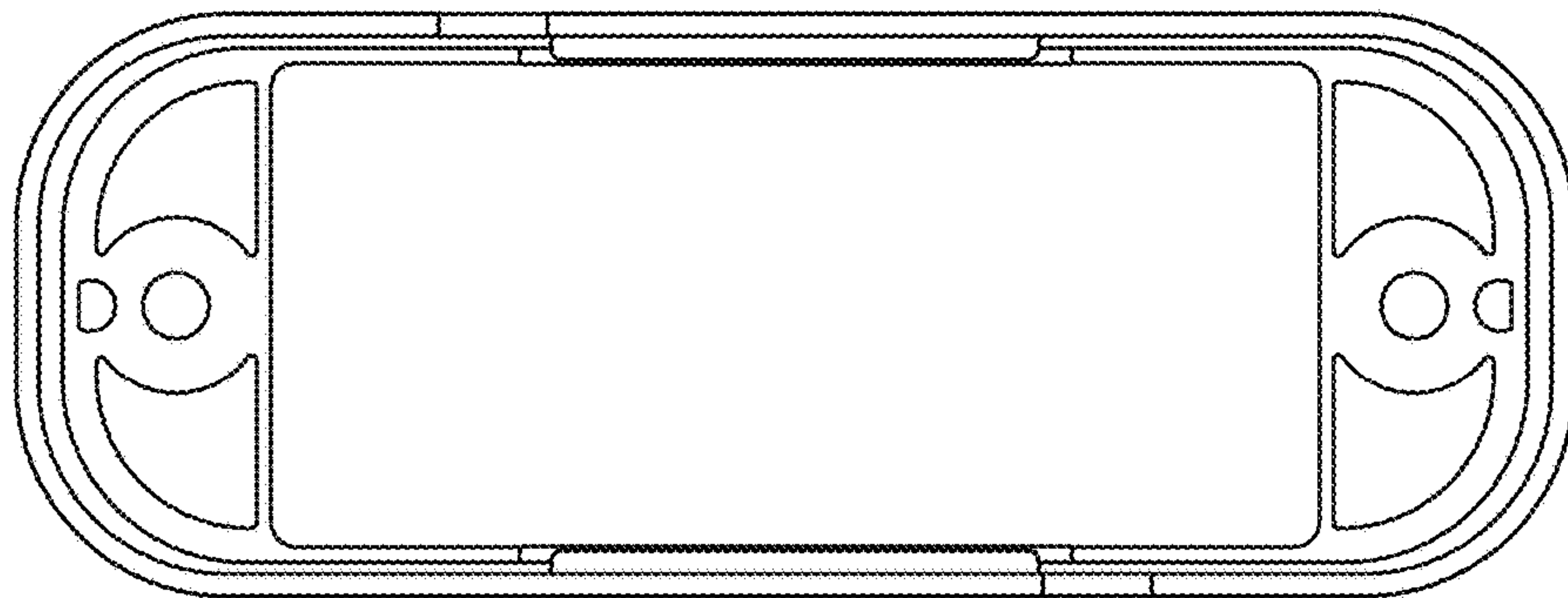


FIG. 3

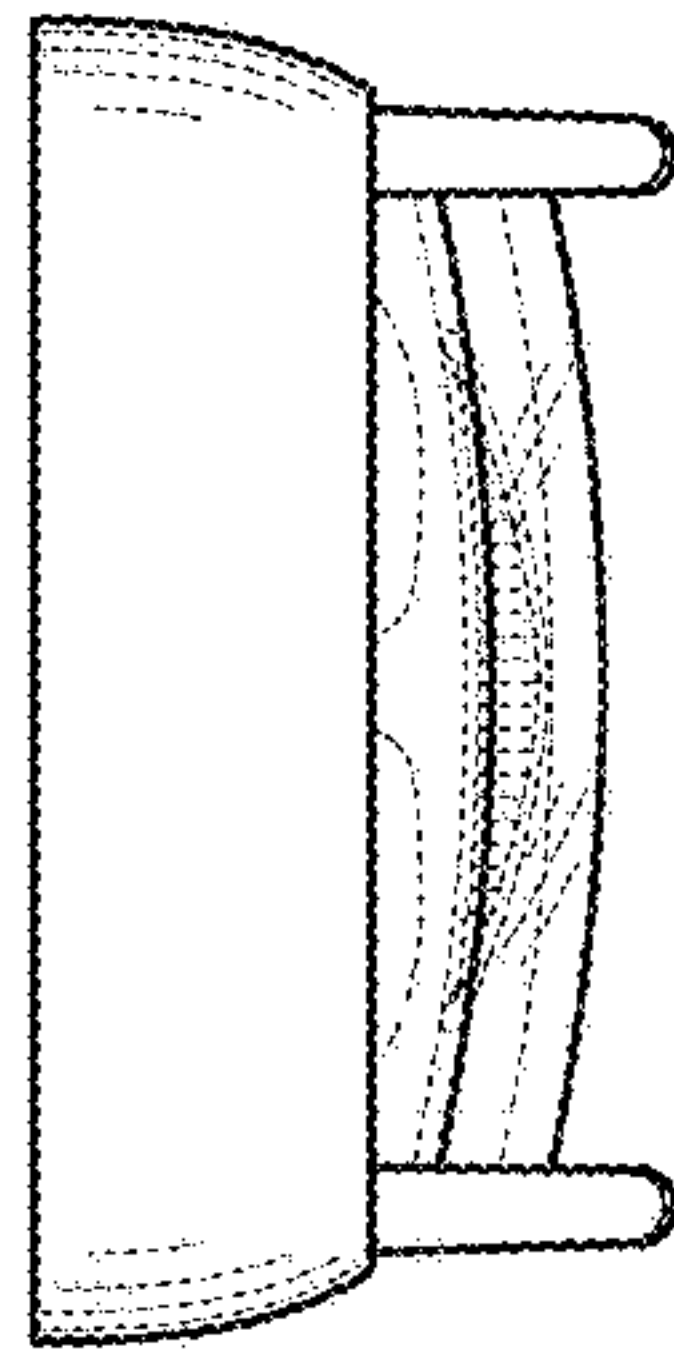


FIG. 4

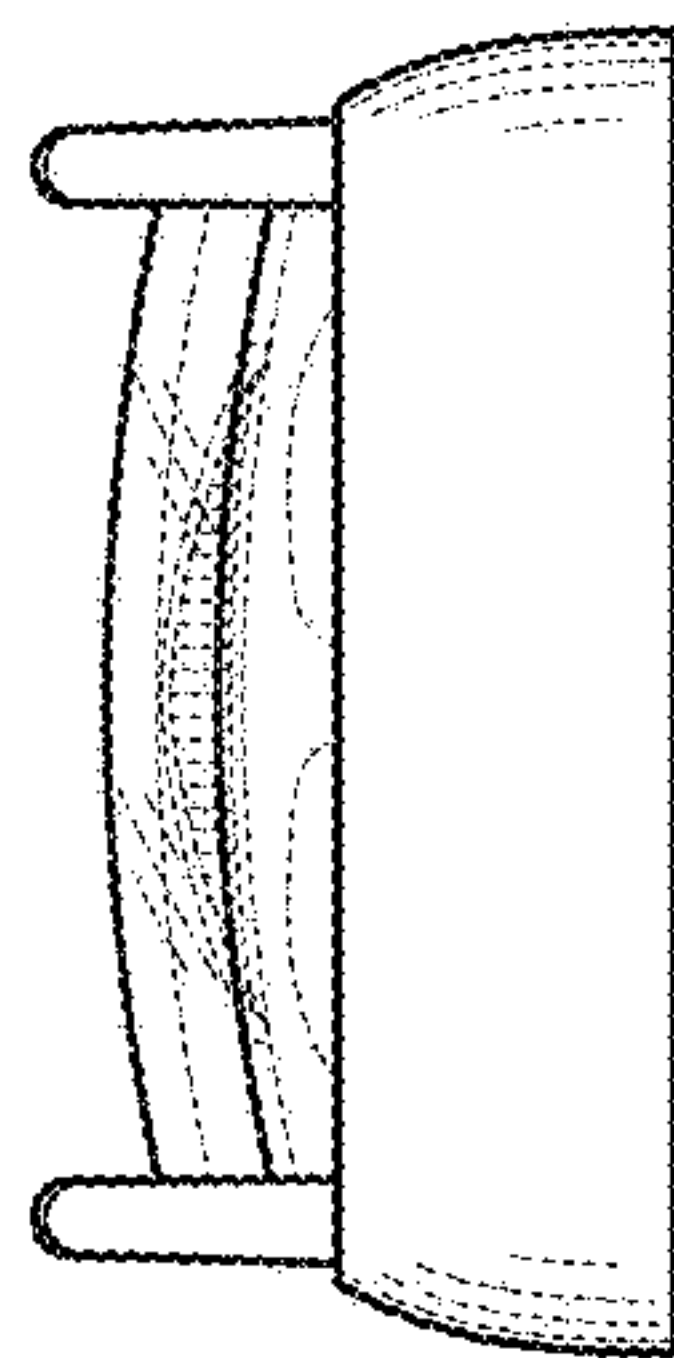


FIG. 5

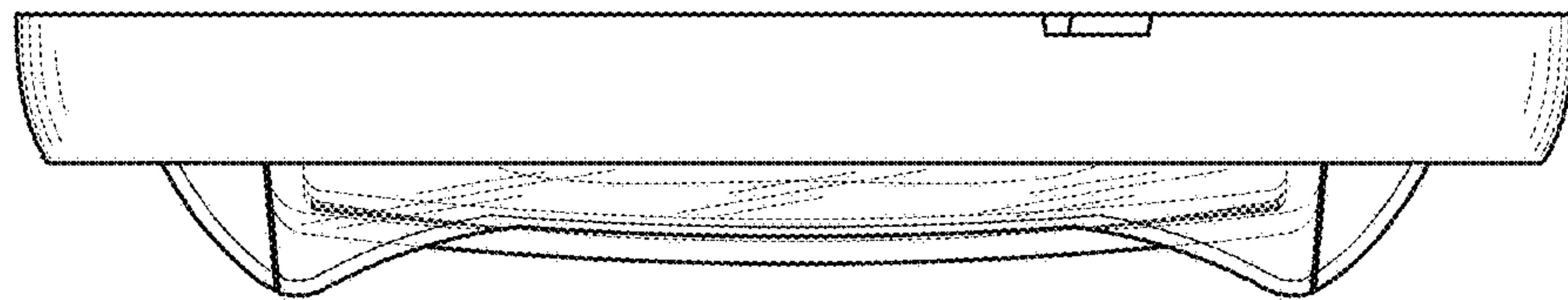


FIG. 6

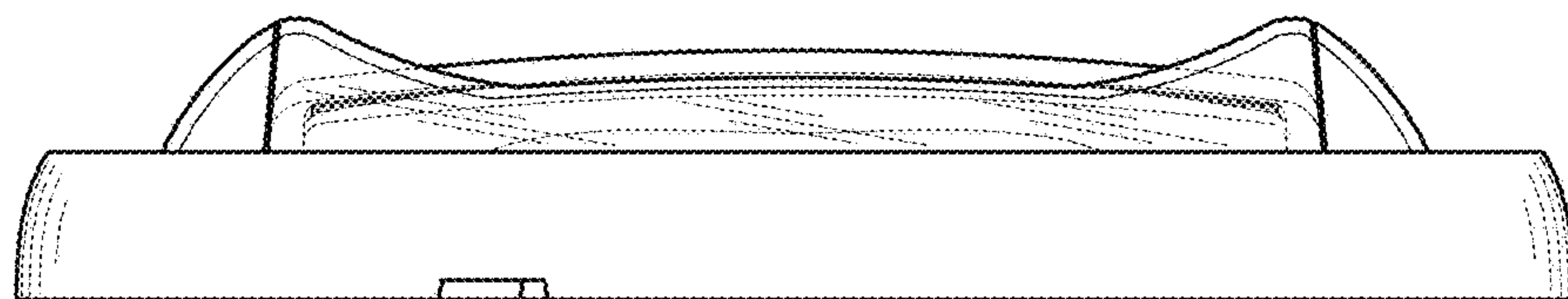


FIG. 7