



US00D864438S

(12) **United States Design Patent**  
**Janssen et al.**

(10) **Patent No.:** **US D864,438 S**  
(45) **Date of Patent:** **\*\* Oct. 22, 2019**

(54) **HEADLIGHT FOR A VEHICLE**

D757,967 S \* 5/2016 Kim ..... D26/28  
D761,978 S \* 7/2016 Lai ..... D26/28  
D815,323 S \* 4/2018 Amemiya ..... D26/28

(71) Applicant: **Daimler AG**, Stuttgart (DE)

(Continued)

(72) Inventors: **Bertrand Janssen**, Boeblingen (DE);  
**Kai Sieber**, Stuttgart (DE); **Gorden  
Wagener**, Gaeufelden (DE)

FOREIGN PATENT DOCUMENTS

(73) Assignee: **Daimler AG**, Stuttgart (DE)

TW D173763 S 2/2016

(\*\*) Term: **15 Years**

OTHER PUBLICATIONS

(21) Appl. No.: **29/650,139**

Taiwanese-language Search Report issued in counterpart Taiwanese Application No. 107303174 dated Dec. 6, 2018 with partial English translation (5 pages).

(22) Filed: **Jun. 5, 2018**

*Primary Examiner* — Angela J Lee

(30) **Foreign Application Priority Data**

(74) *Attorney, Agent, or Firm* — Crowell & Moring LLP

Dec. 6, 2017 (WO) ..... DM/100244

(57) **CLAIM**

(51) **LOC (12) Cl.** ..... **26-07**

The ornamental design for a headlight for a vehicle, as shown and described.

(52) **U.S. Cl.**

**DESCRIPTION**

USPC ..... **D26/28**

(58) **Field of Classification Search**

USPC ..... D26/28, 29, 30, 31, 32, 33, 34, 35, 36;  
362/459–468, 475–478, 485–487

CPC ..... F21S 48/00; F21S 48/10; F21S 48/115;  
F21S 48/225; F21S 48/1233; F21S  
48/1266; F21S 48/1388; F21S 48/2268;  
F21V 21/04

See application file for complete search history.

FIG. 1 is a right, front perspective view of a first embodiment of a headlight for a vehicle according to the design; FIG. 2 is a front view thereof; FIG. 3 is a rear view thereof; FIG. 4 is a right side view thereof; FIG. 5 is a left side view thereof; FIG. 6 is a top view thereof; and FIG. 7 is a bottom view thereof. FIG. 8 is a left, front perspective view of a second embodiment of the headlight for a vehicle according to the design; FIG. 9 is a front view thereof; FIG. 10 is a rear view thereof; FIG. 11 is a left side view thereof; FIG. 12 is a right side view thereof; FIG. 13 is a top view thereof; and, FIG. 14 is a bottom view thereof.

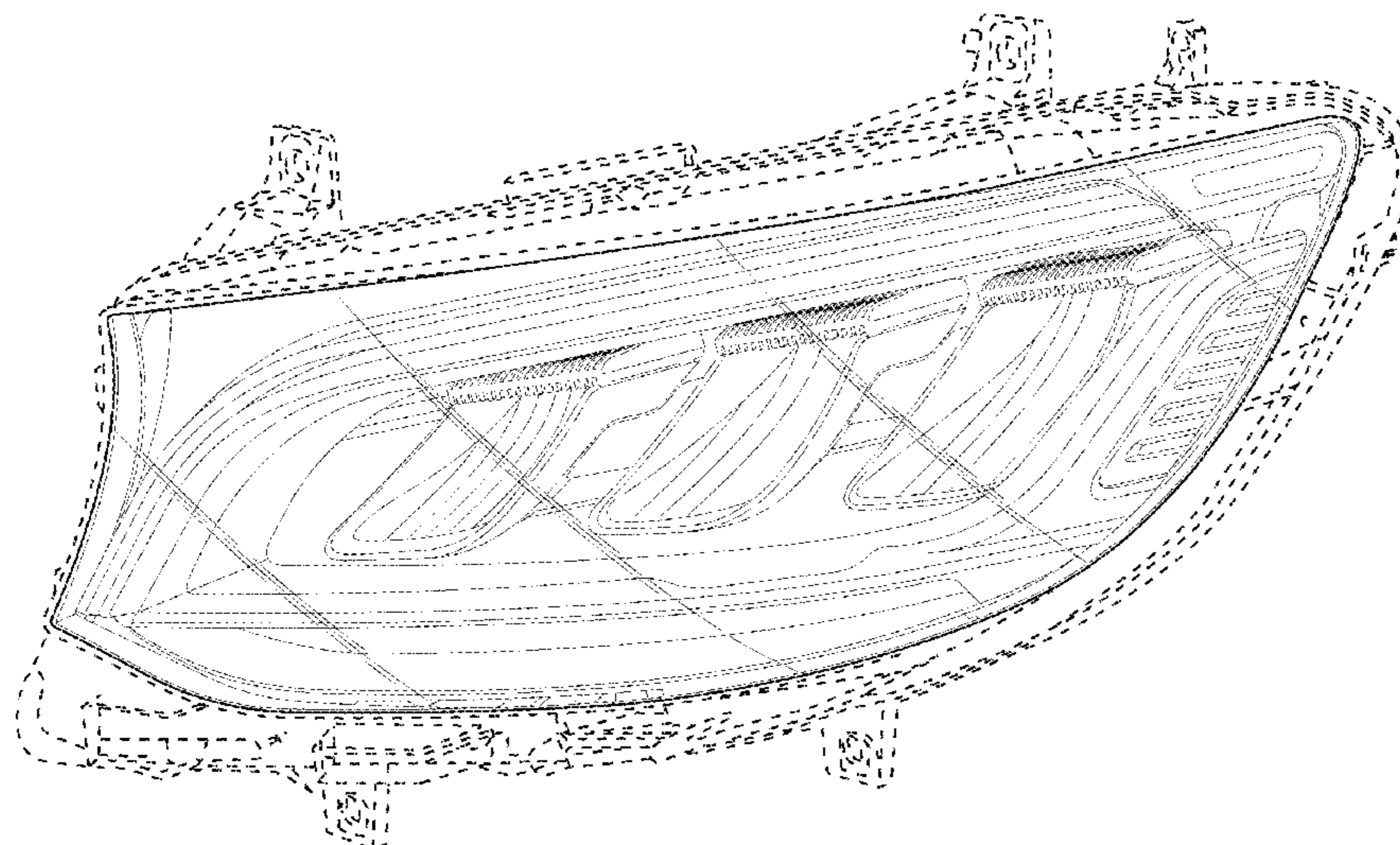
The broken lines in the drawings illustrate environmental subject matter only and form no part of the claimed design.

(56) **References Cited**

U.S. PATENT DOCUMENTS

D610,282 S \* 2/2010 Saridakis ..... D26/28  
D705,966 S \* 5/2014 Park ..... D26/28  
D707,864 S \* 6/2014 Lai ..... D26/28  
D713,569 S \* 9/2014 Badstuebner ..... D26/28  
D735,380 S 7/2015 Futschik et al.  
D745,717 S \* 12/2015 Wu ..... D26/28  
D752,786 S 3/2016 Futschik et al.

**1 Claim, 14 Drawing Sheets**



(56)

**References Cited**

U.S. PATENT DOCUMENTS

D827,882 S *	9/2018	Baaske .....	D26/28
D837,425 S *	1/2019	Badstuebner .....	D26/28
D838,393 S *	1/2019	Lin .....	D26/28
D838,879 S *	1/2019	Badstuebner .....	D26/28
D846,779 S *	4/2019	Hwang .....	D26/28

\* cited by examiner

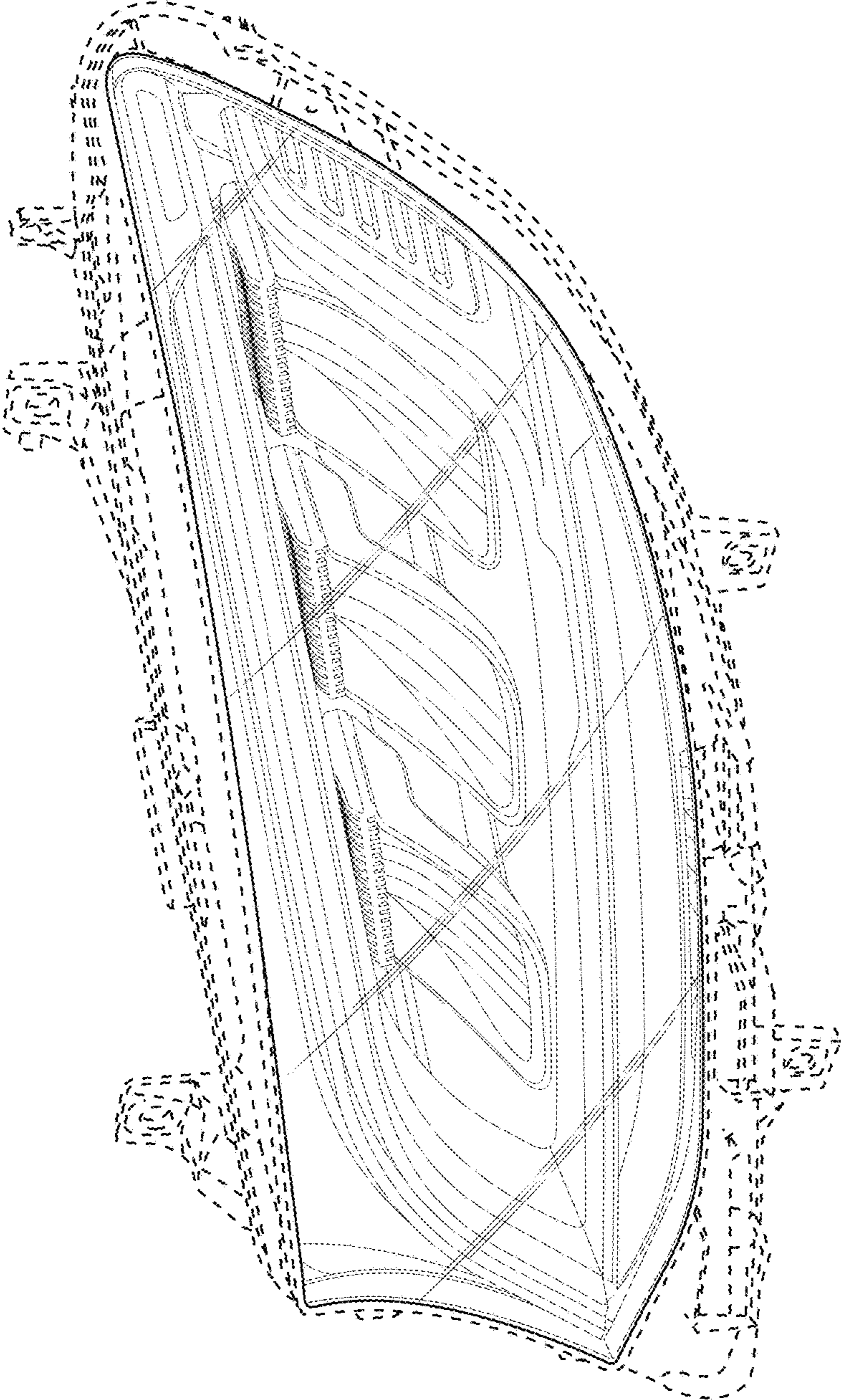


FIG. 1

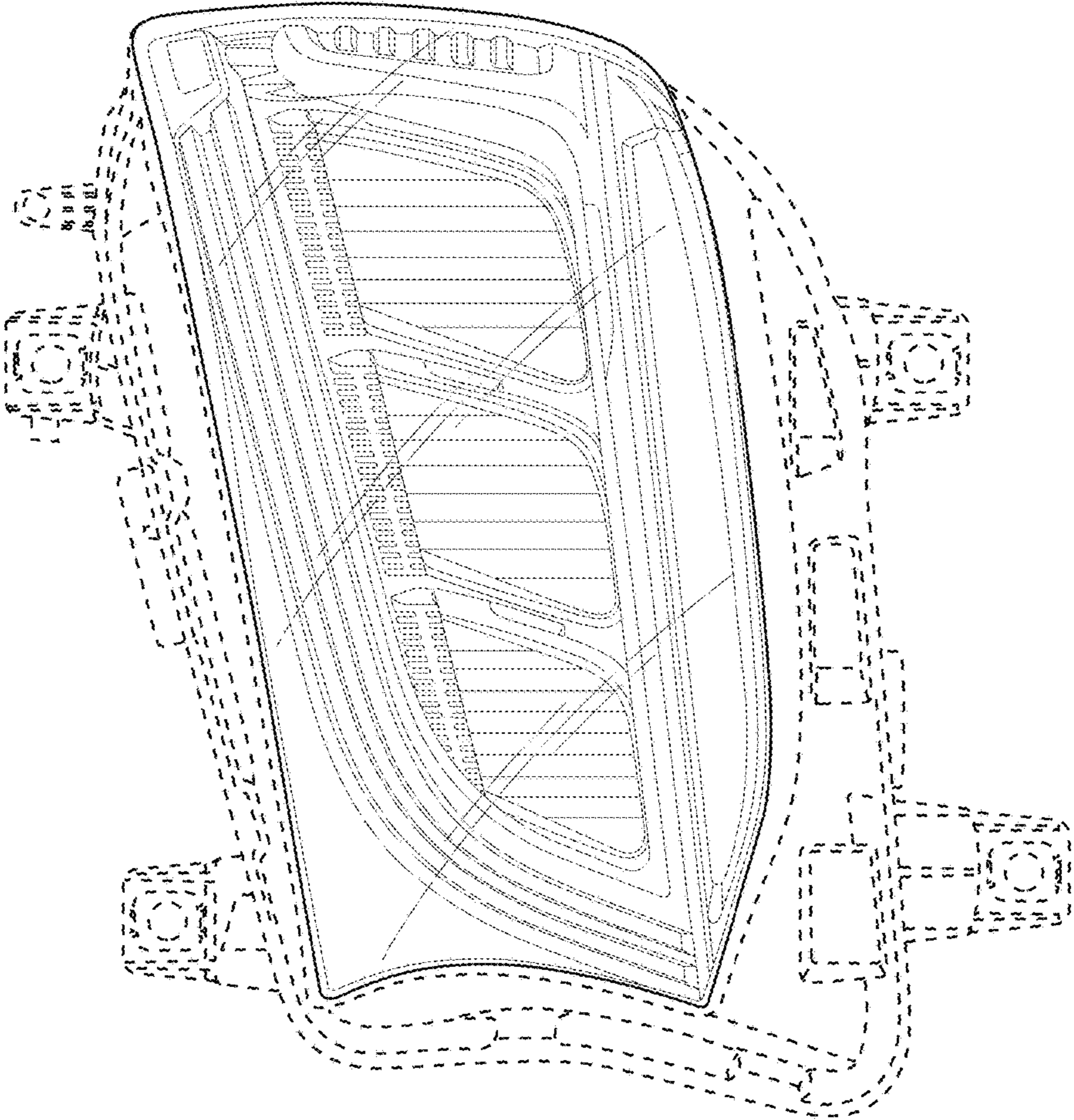
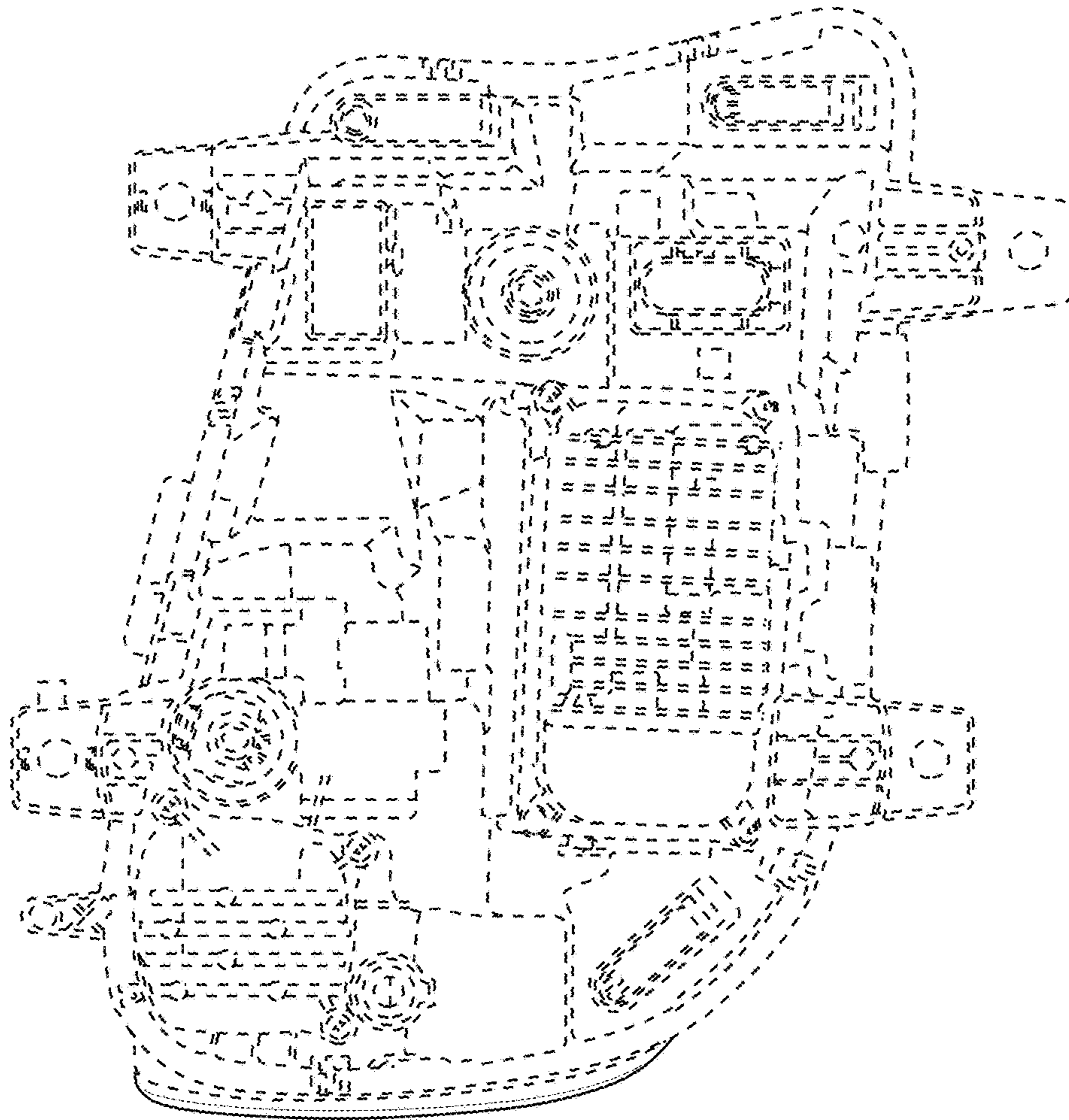
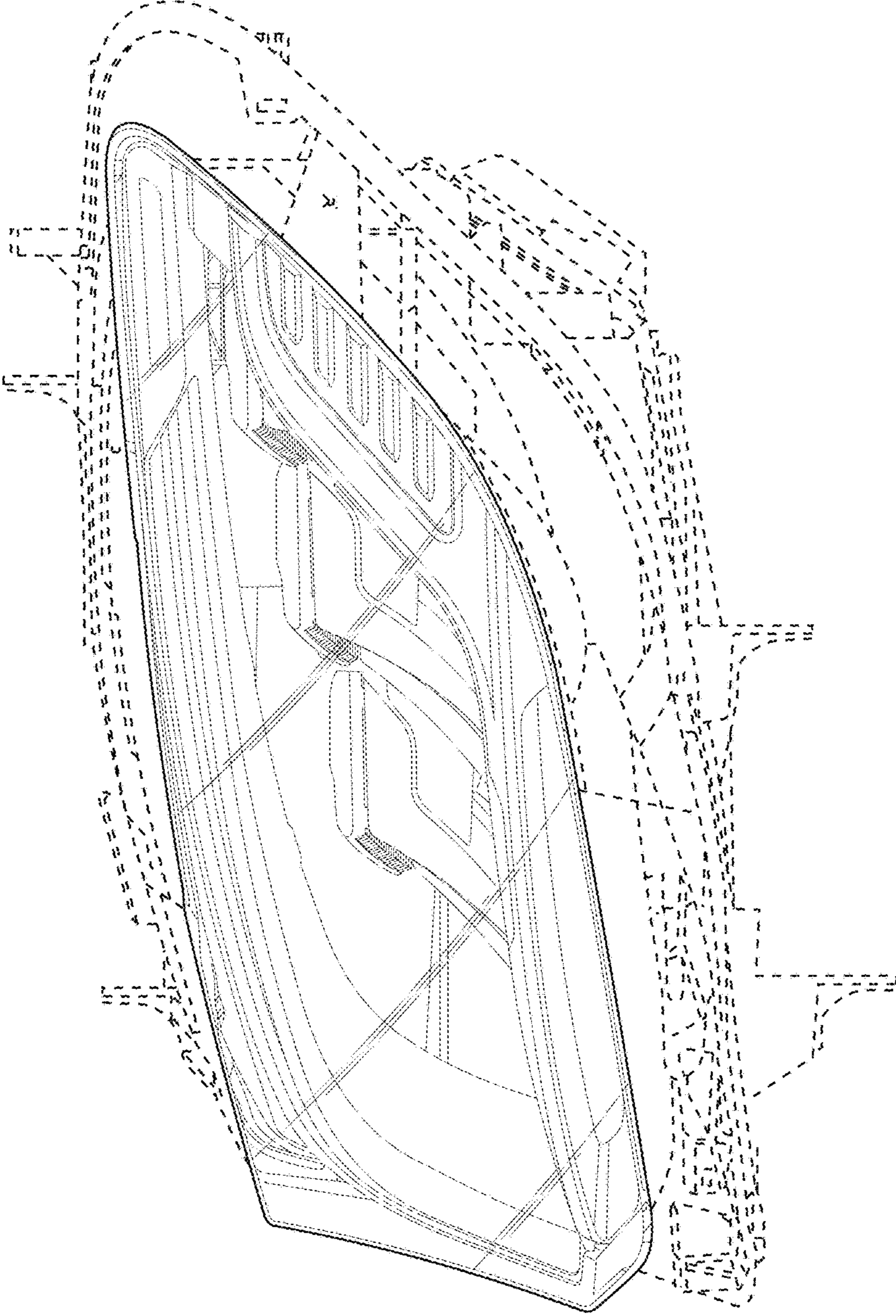


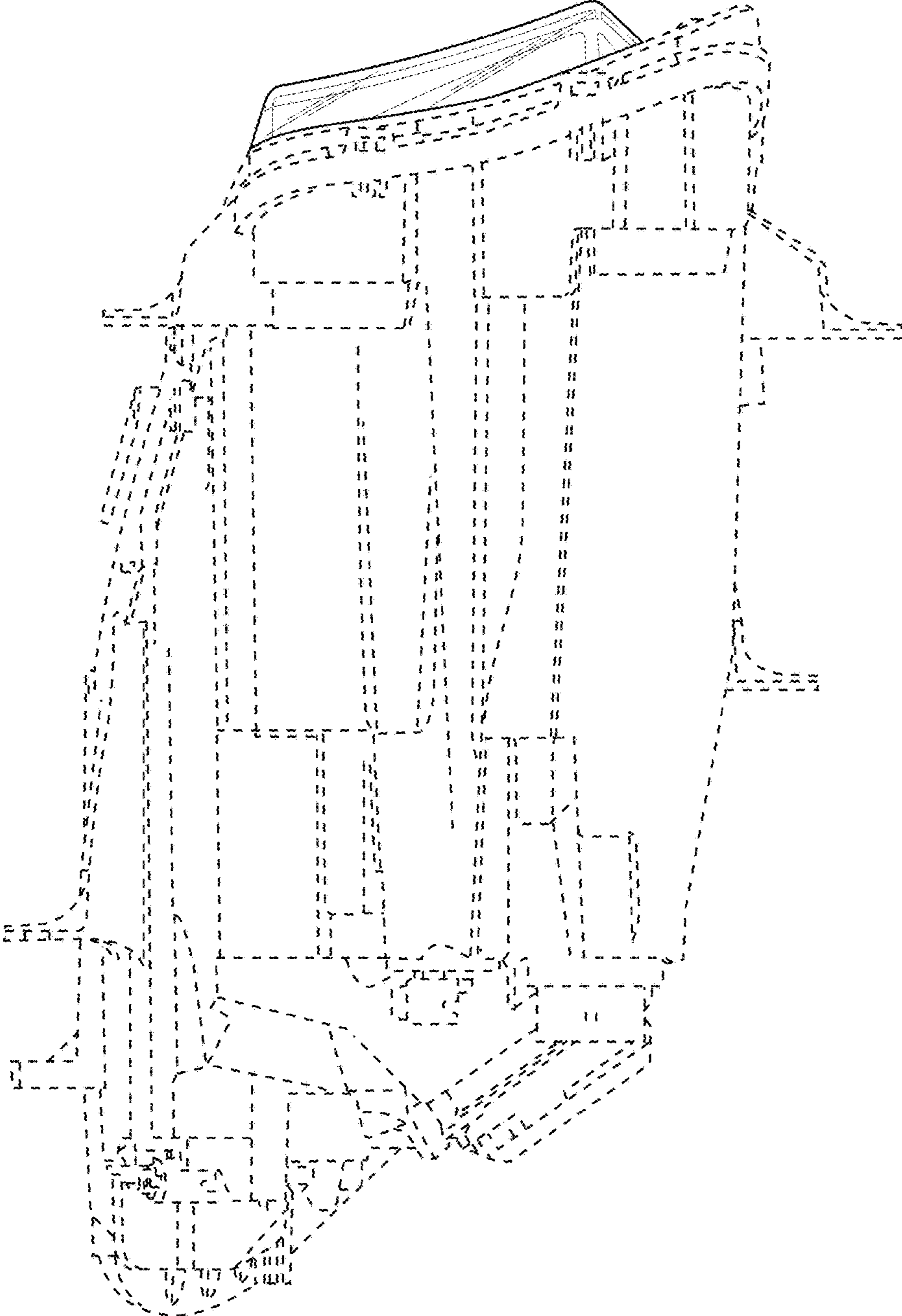
FIG. 2



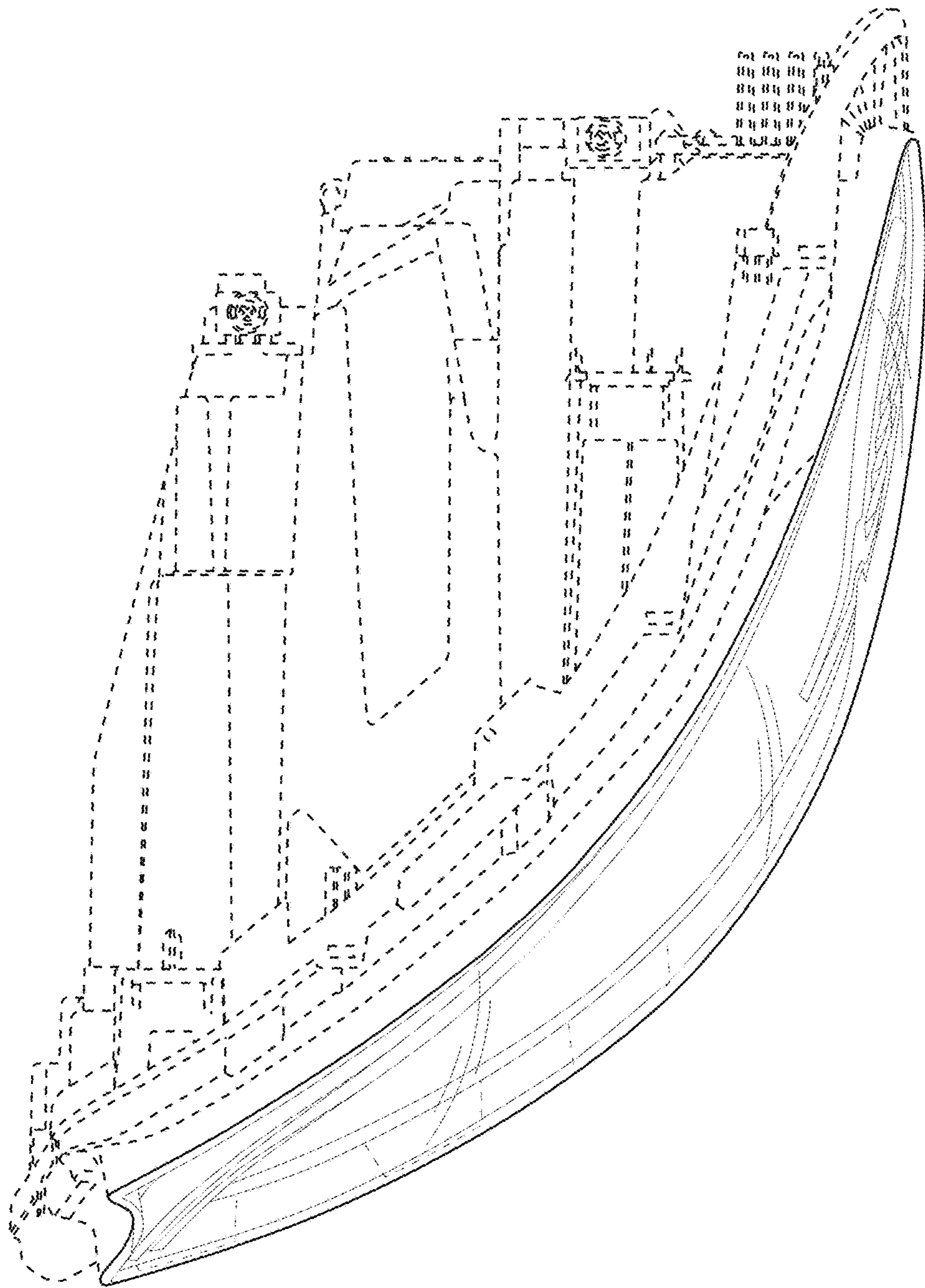
**FIG. 3**



**FIG. 4**

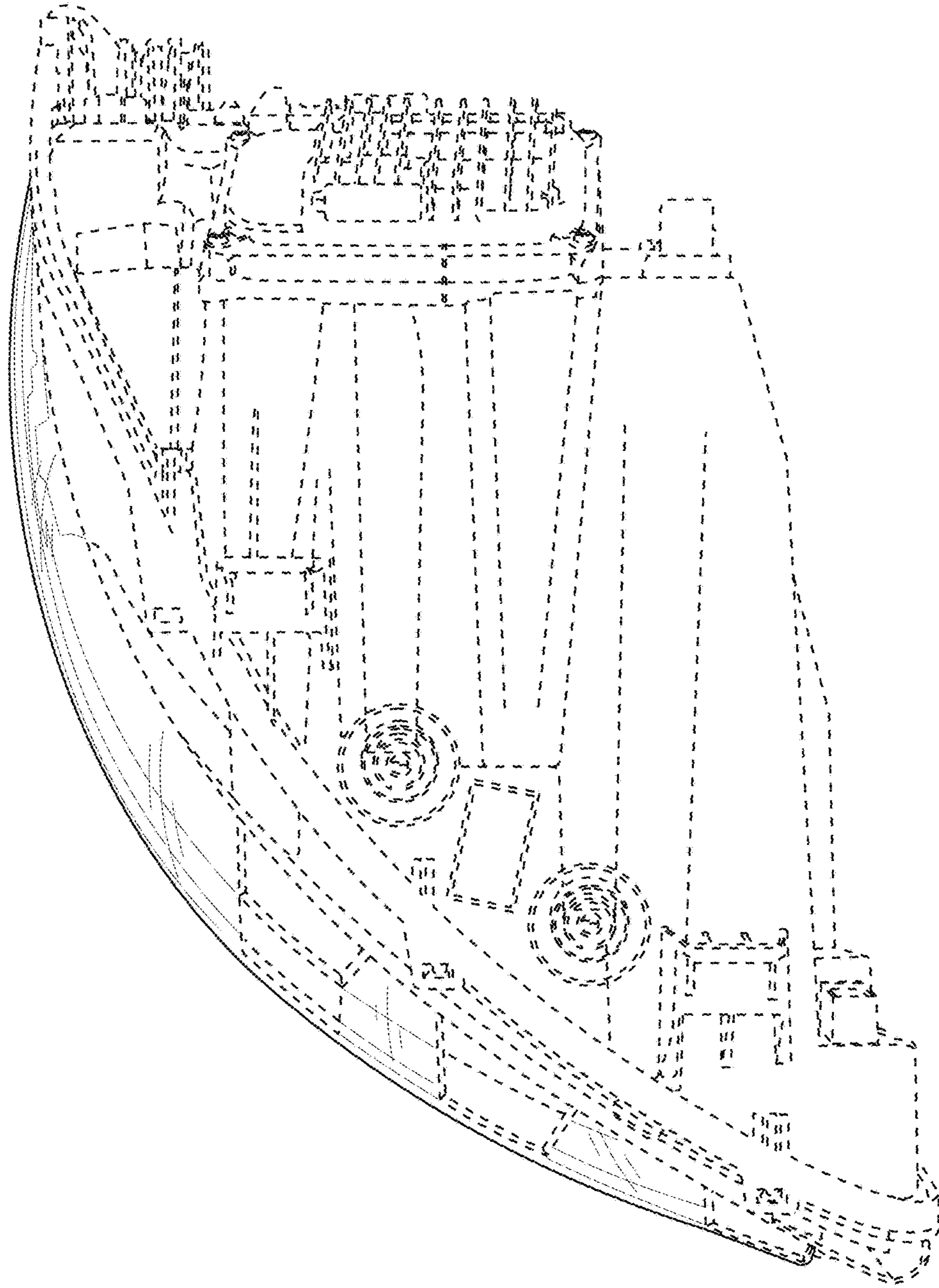


**FIG. 5**



**FIG. 6**





**FIG. 7**

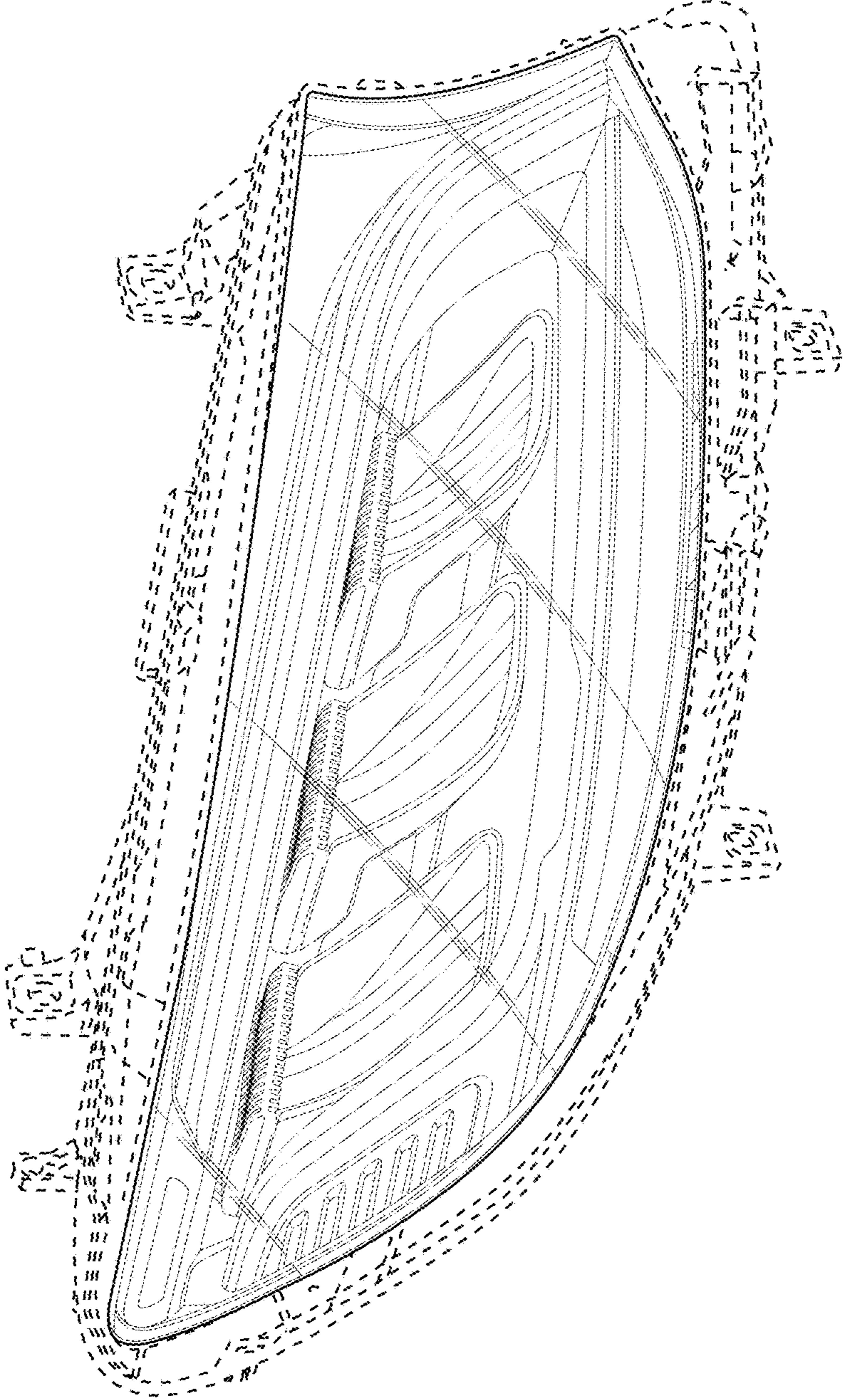


FIG. 8

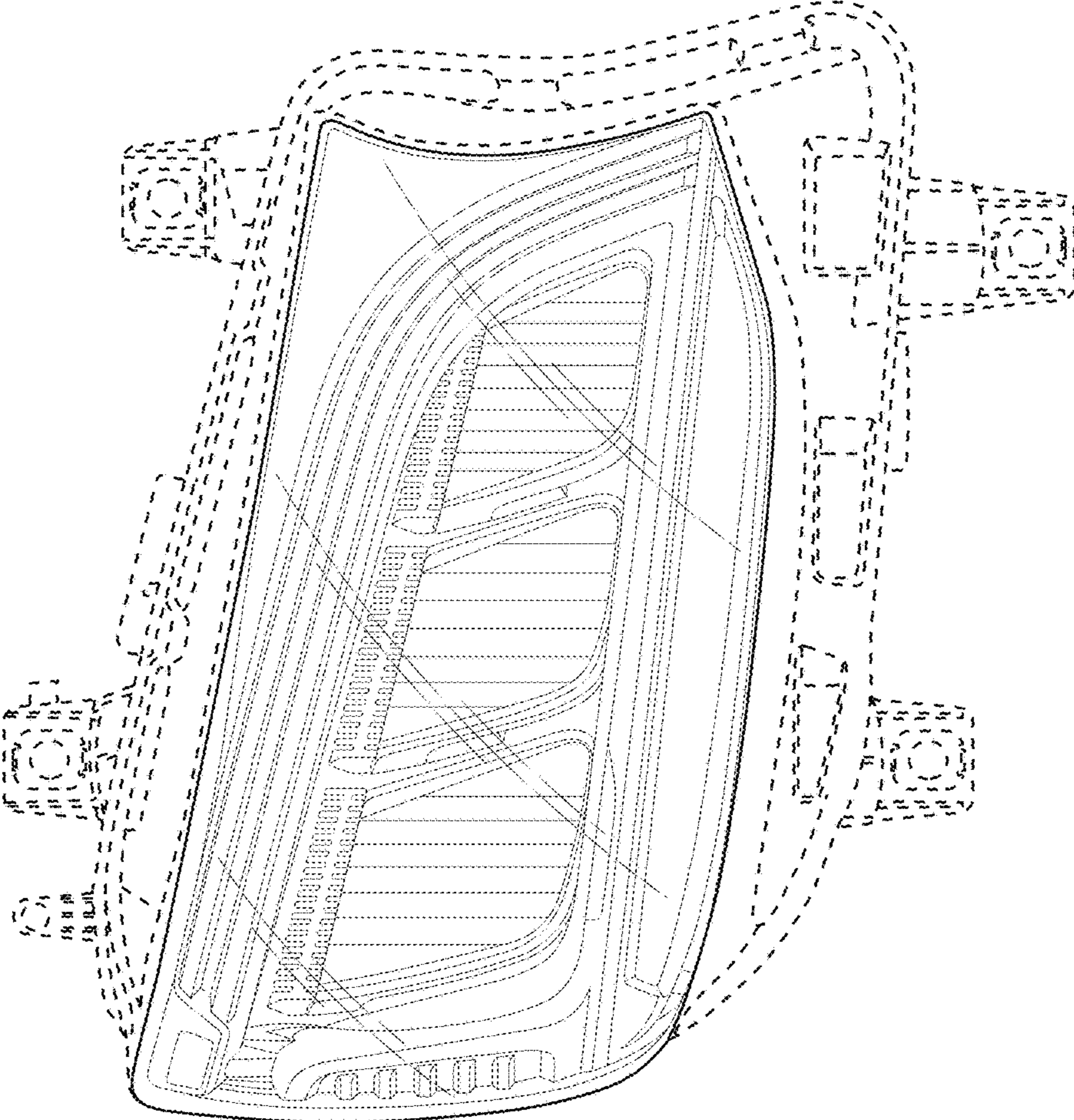
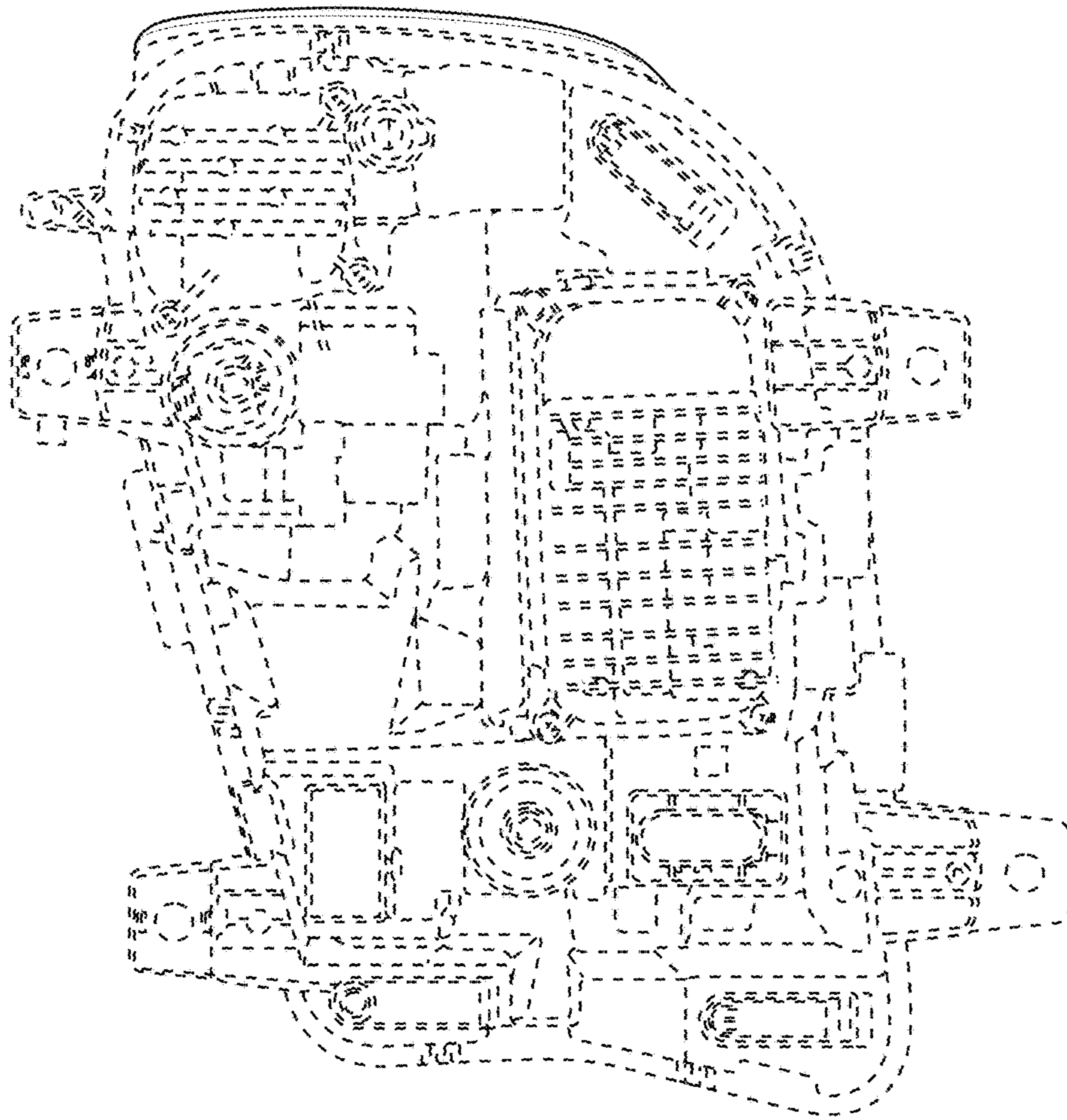


FIG. 9



**FIG. 10**

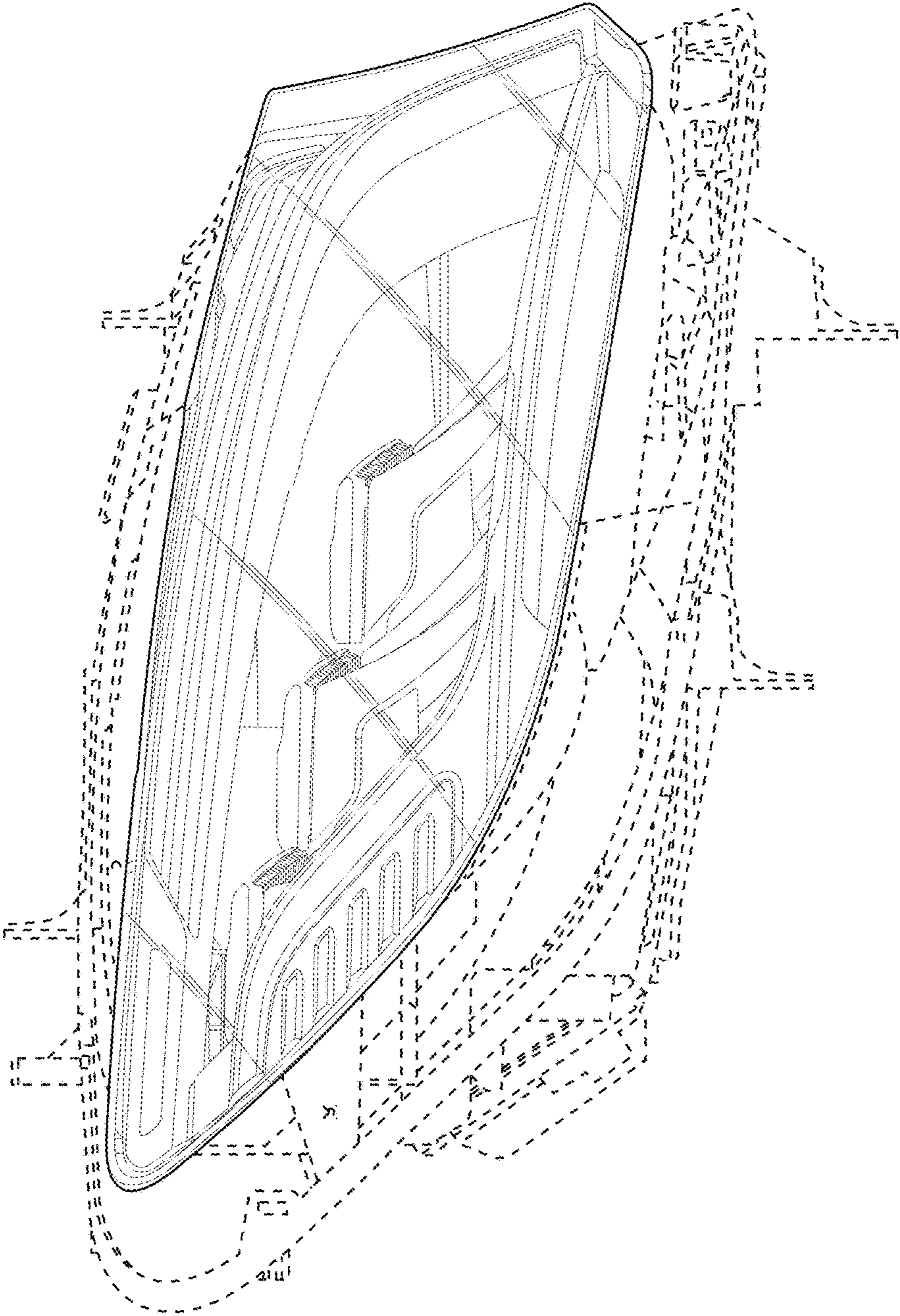
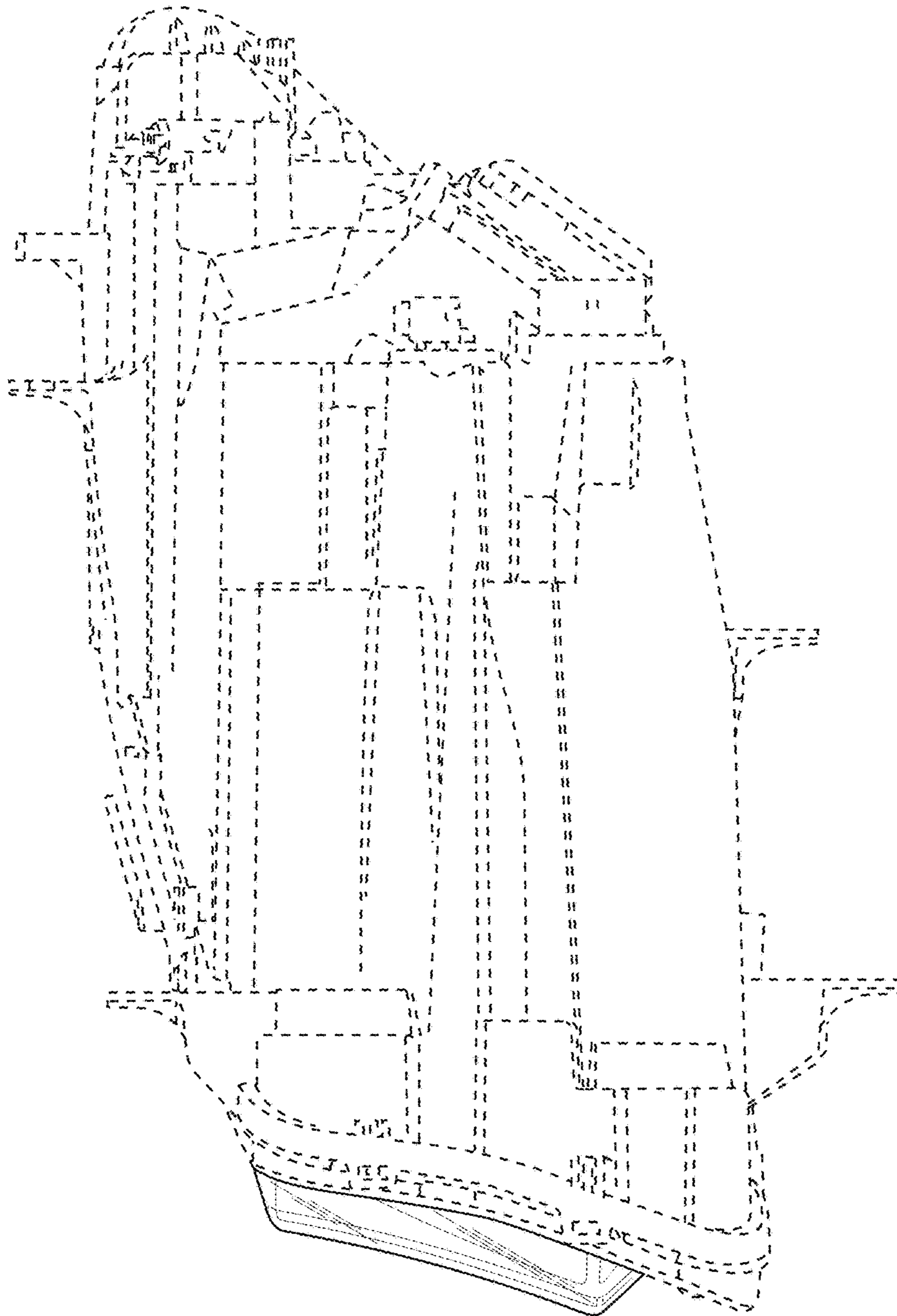
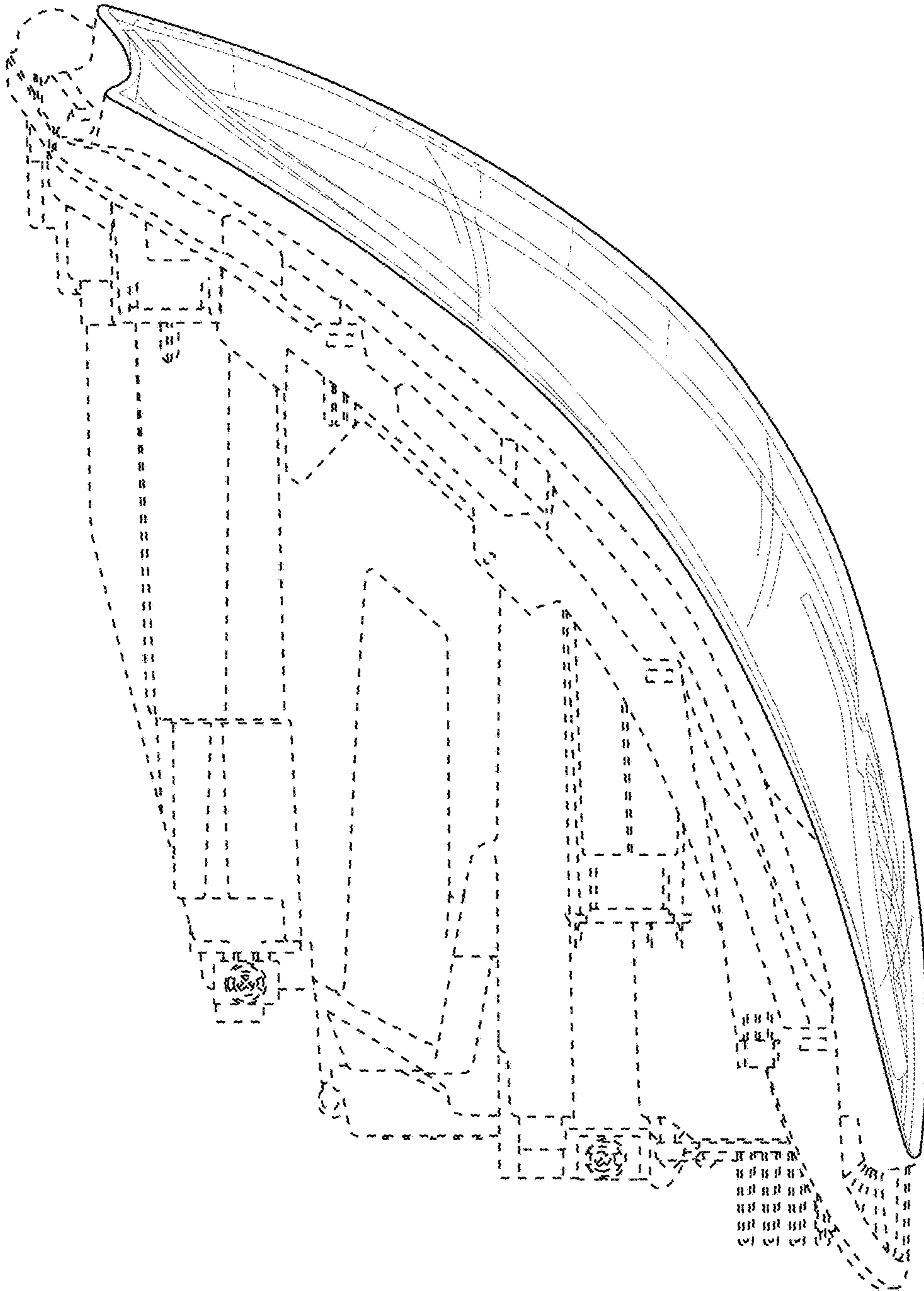


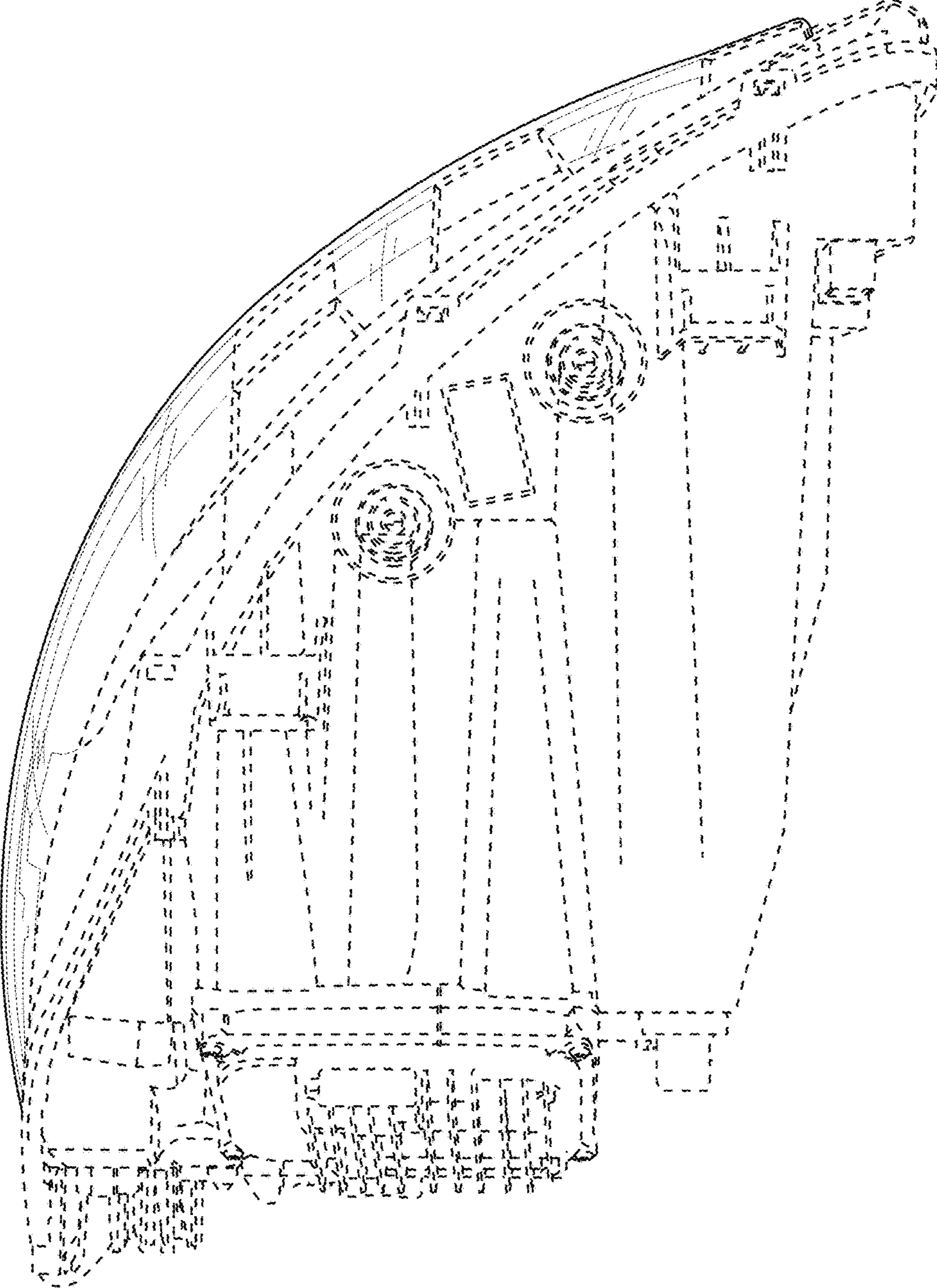
FIG. 11



**FIG. 12**



**FIG. 13**



**FIG. 14**