



US00D864436S

(12) **United States Design Patent** (10) **Patent No.:** **US D864,436 S**
Binder (45) **Date of Patent:** **** Oct. 22, 2019**

(54) **TAILLIGHT FOR A VEHICLE**
(71) Applicant: **Bayerische Motoren Werke Aktiengesellschaft, Munich (DE)**
(72) Inventor: **Thomas Binder, Stockdorf (DE)**
(73) Assignee: **Bayerische Motoren Werke Aktiengesellschaft, Munich (DE)**

D826,435 S * 8/2018 Kim D26/28
D828,935 S * 9/2018 Hochmuth D26/28
D829,948 S * 10/2018 Jung D26/28
D829,949 S * 10/2018 Jung D26/28

(**) Term: **15 Years**
(21) Appl. No.: **29/624,715**
(22) Filed: **Nov. 3, 2017**

FOREIGN PATENT DOCUMENTS

WO WO DM/074766 5/2011
WO WO DM/088023 4/2016
WO WO DM/096613 12/2017

(30) **Foreign Application Priority Data**
May 10, 2017 (DE) 40 2017 100 573
(51) **LOC (12) Cl.** **26-06**
(52) **U.S. Cl.**
USPC **D26/28**
(58) **Field of Classification Search**
USPC D26/28-36
CPC F21S 48/00; F21S 48/10; F21S 48/1266;
F21S 48/1388; F21S 48/2268; F21V
21/04
See application file for complete search history.

* cited by examiner

Primary Examiner — Mark A Goodwin
Assistant Examiner — Benjamin M Weeks
(74) *Attorney, Agent, or Firm* — Crowell & Moring LLP

(56) **References Cited**
U.S. PATENT DOCUMENTS
D528,685 S * 9/2006 Yoshida D26/28
D549,363 S * 8/2007 Pfeiffer D26/28
D644,772 S * 9/2011 Pfeiffer D26/28
D691,299 S * 10/2013 Binder D26/28
D694,440 S 11/2013 Johnson
D761,459 S * 7/2016 Binder D26/28
D765,286 S * 8/2016 Lai D26/28
D771,290 S * 11/2016 Binder D26/28
D776,846 S * 1/2017 Willett D26/28
D804,693 S * 12/2017 Handt D26/28
D821,619 S * 6/2018 Amemiya D26/28

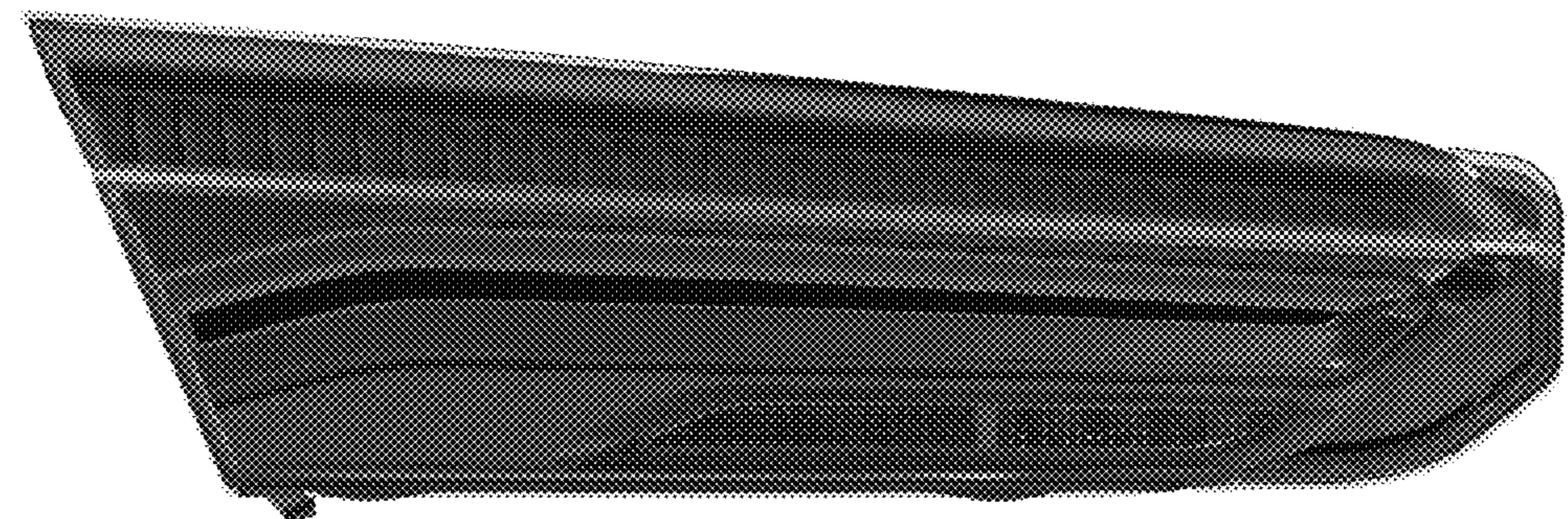
(57) **CLAIM**

The ornamental design for a taillight for a vehicle, as shown and described.

DESCRIPTION

This application contains subject matter related to the following co-pending U.S. design patent applications: Application Ser. No. 29/624,716, filed herewith and entitled "Vehicle, Toy, and/or Replicas Thereof"; Application Ser. No. 29/624,718, filed herewith and entitled "Vehicle, Toy, and/or Replicas Thereof"; and Application Ser. No. 29/624,719, filed herewith and entitled "Vehicle, Toy, and/or Replicas Thereof". FIG. 1 is a front view of a taillight for a vehicle according to the design; FIG. 2 is a left, front perspective view thereof; FIG. 3 is a right, front perspective view thereof; FIG. 4 is a left side view thereof; FIG. 5 is a right side view thereof; FIG. 6 is a top view thereof; FIG. 7 is a bottom view thereof; and, FIG. 8 is a rear view thereof.

1 Claim, 8 Drawing Sheets



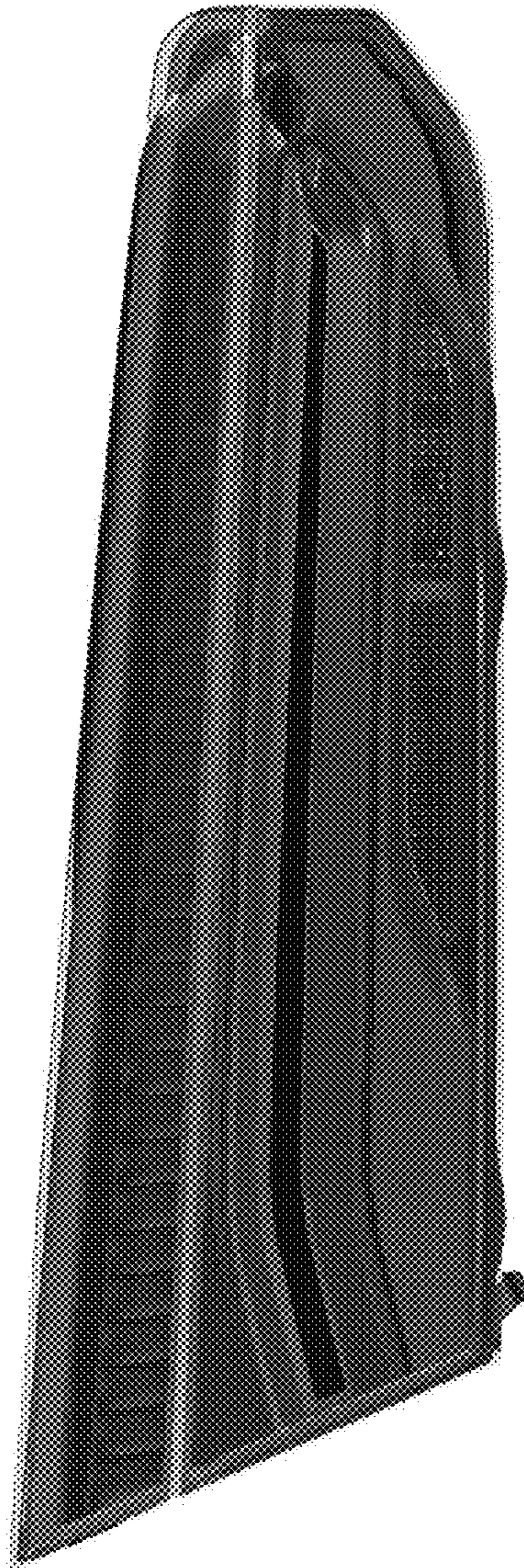


Fig. 1

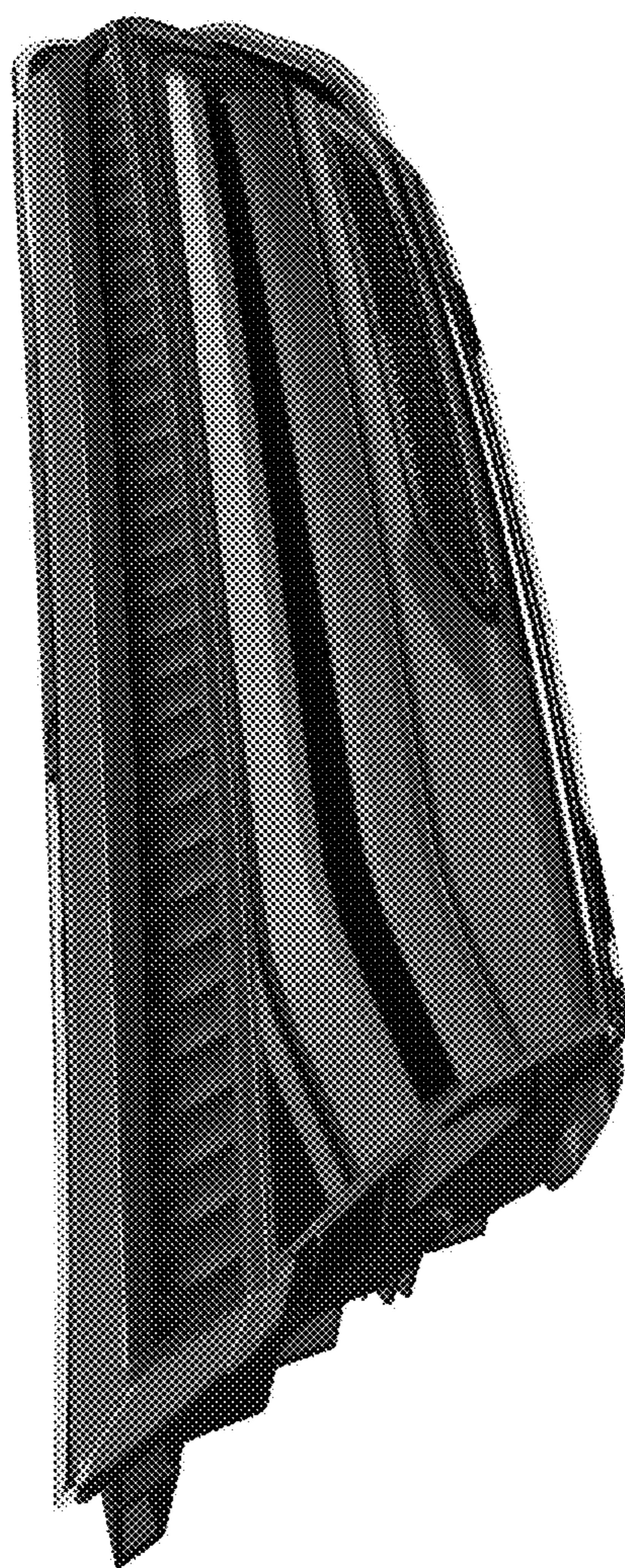


Fig. 2



Fig. 3

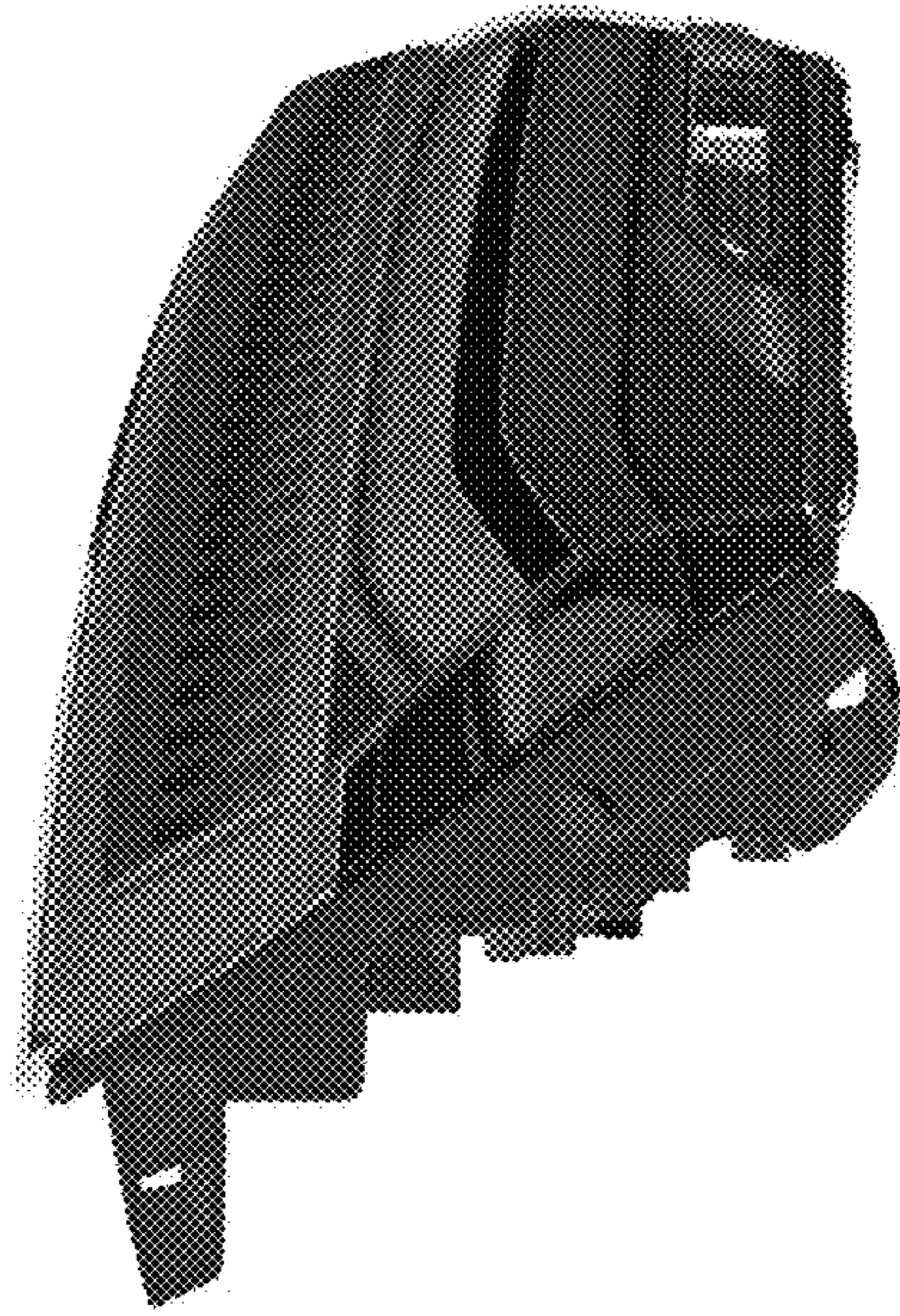


Fig. 4

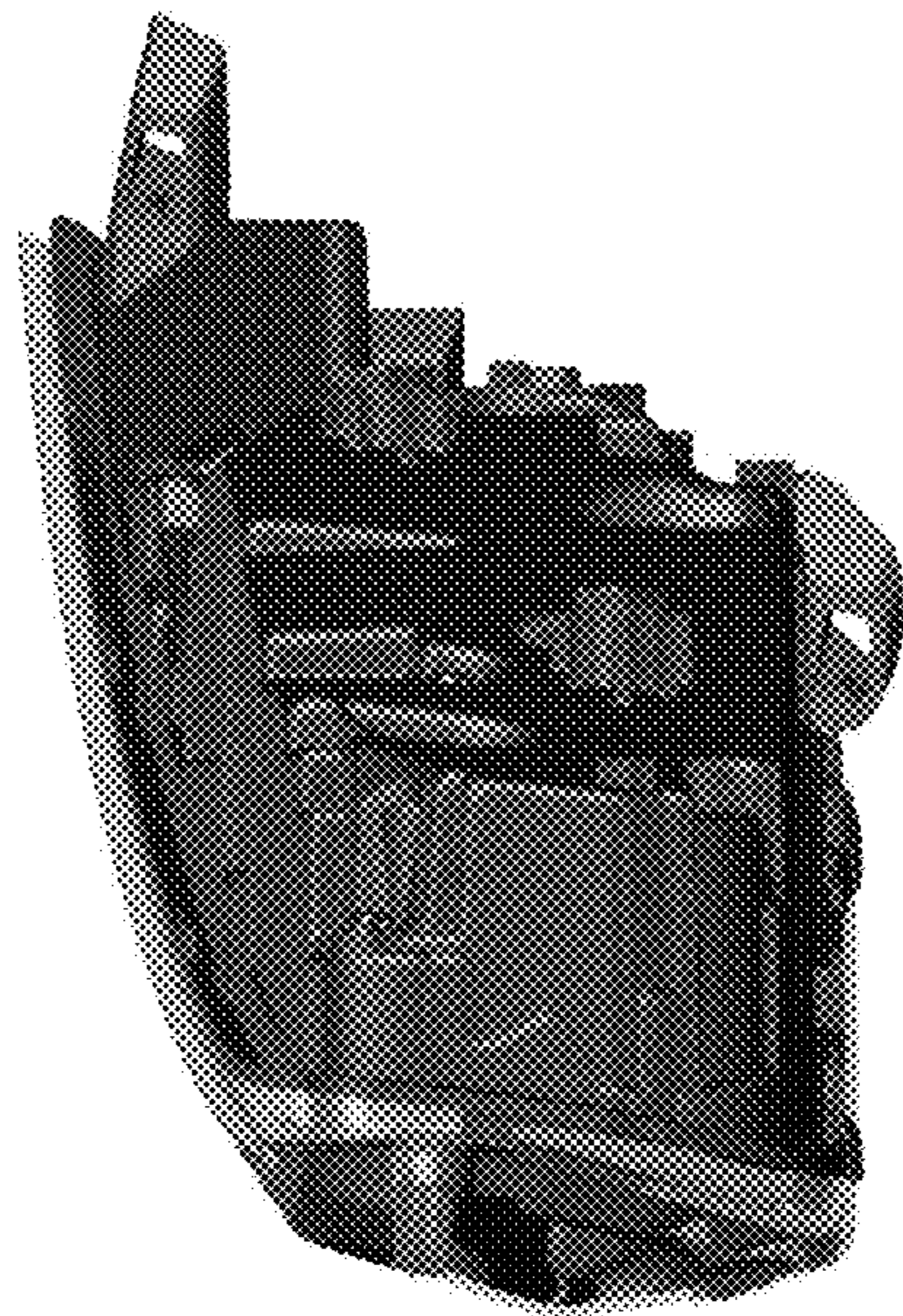


Fig. 5

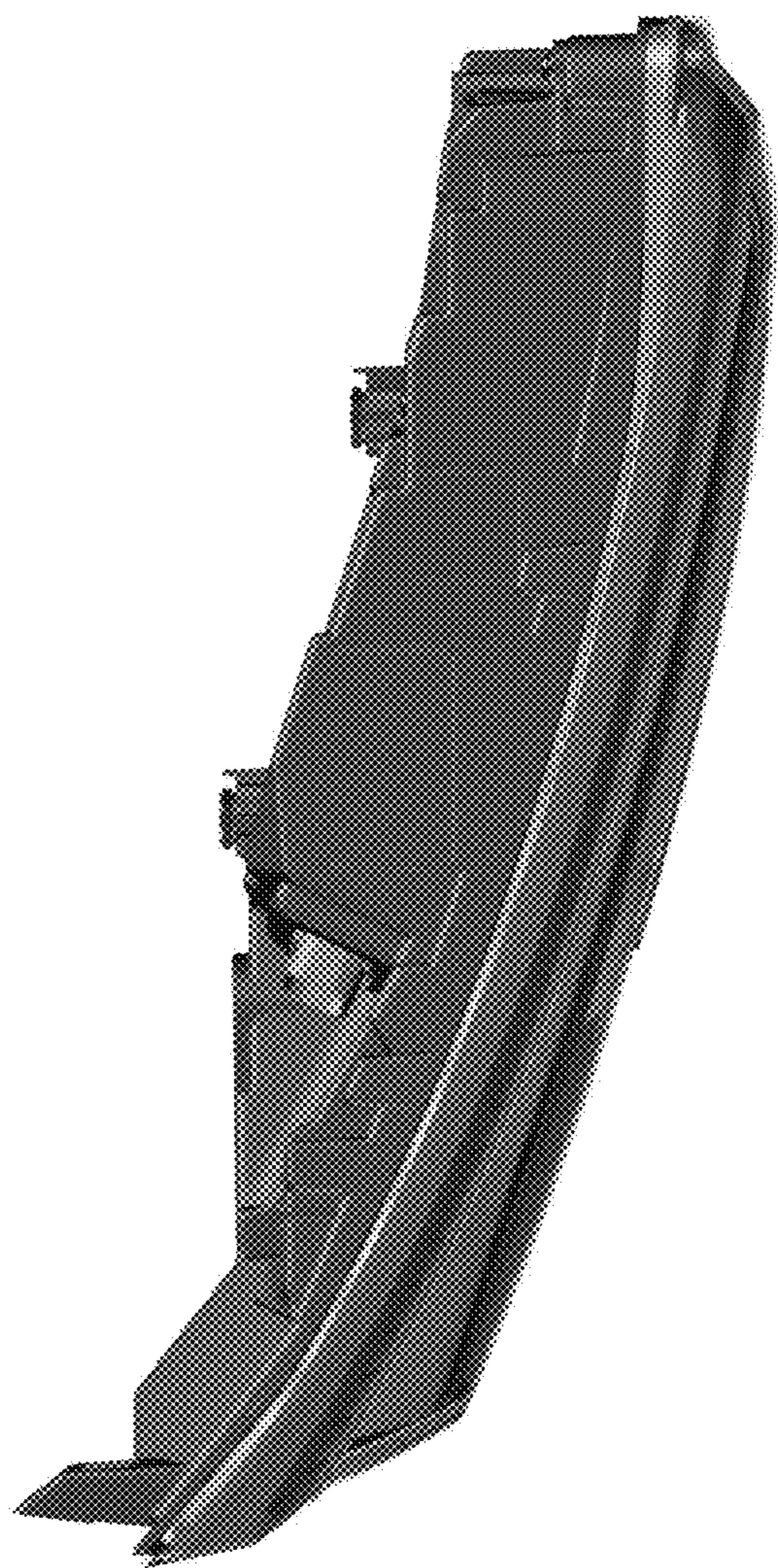


Fig. 6

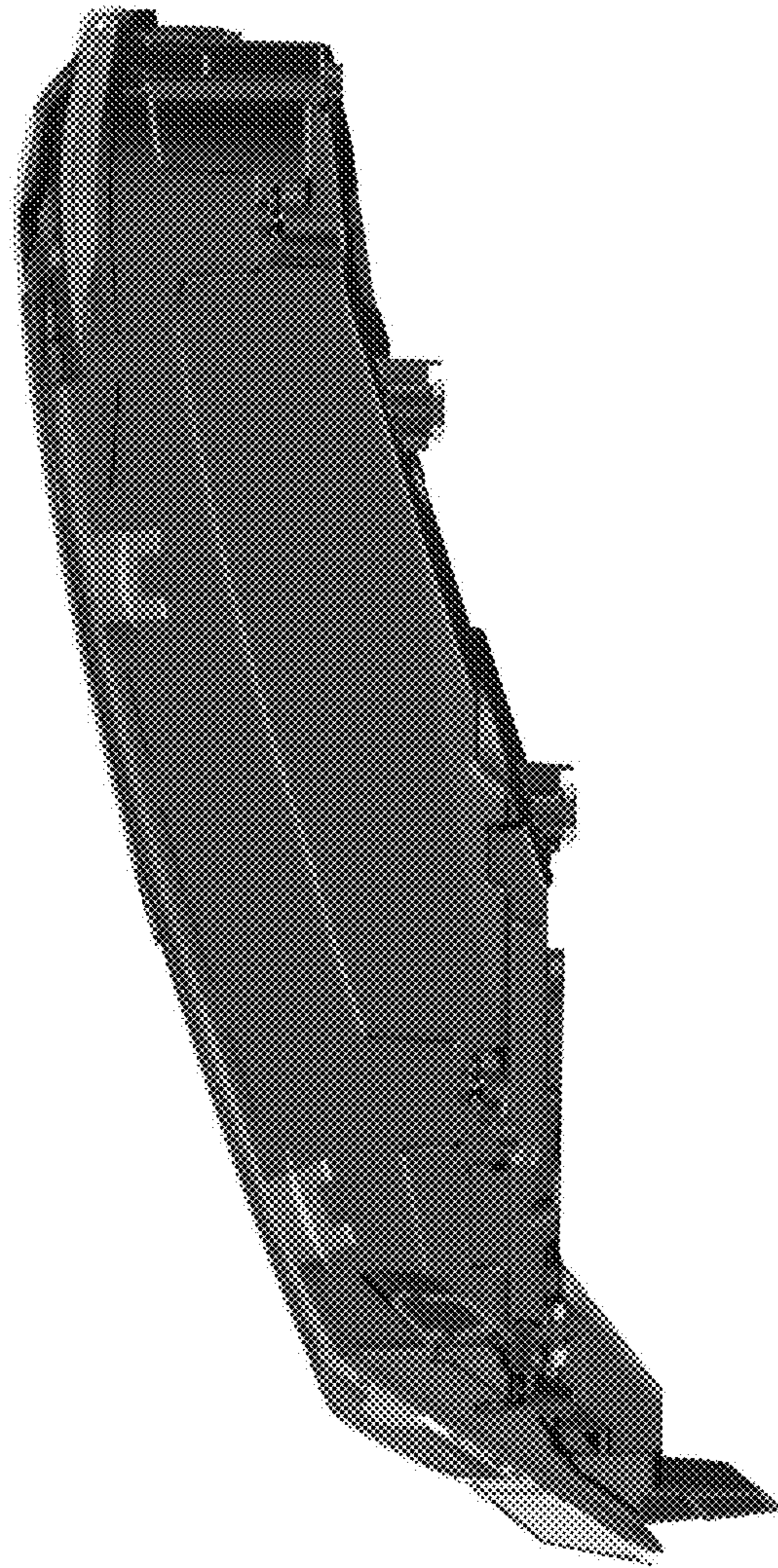


Fig. 7

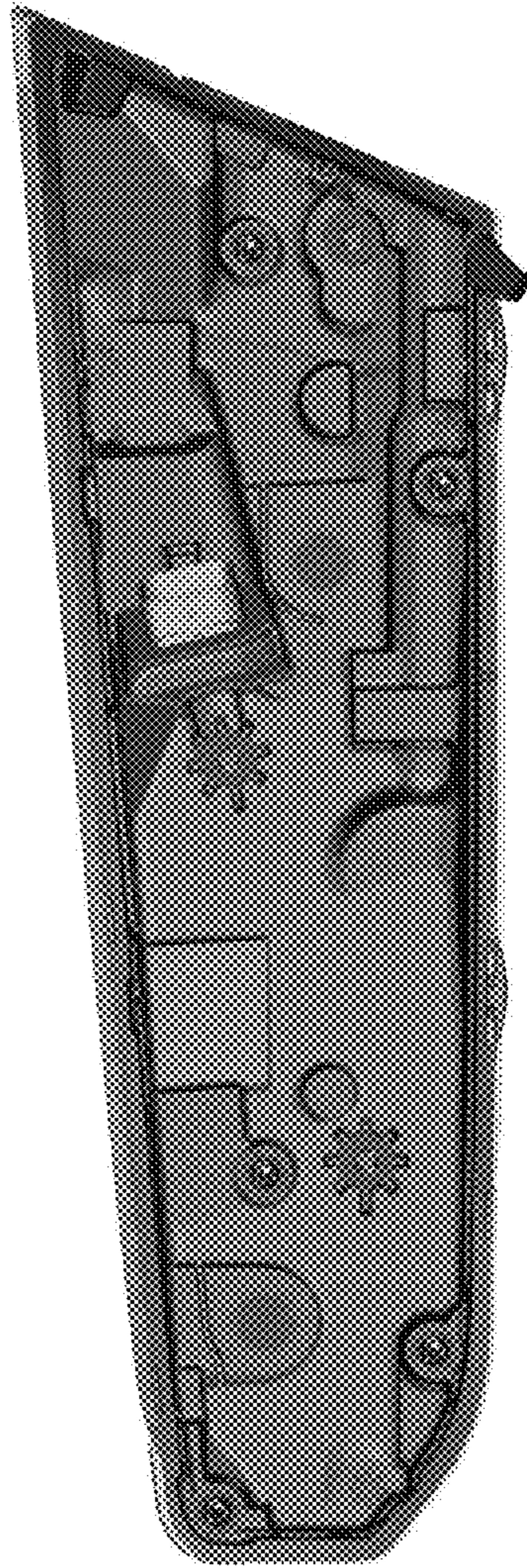


Fig. 8