

US00D864434S

(12) **United States Design Patent** (10) **Patent No.:** **US D864,434 S**
Binder (45) **Date of Patent:** **** Oct. 22, 2019**

(54) **HEADLIGHT FOR A VEHICLE**

FOREIGN PATENT DOCUMENTS

(71) Applicant: **Bayerische Motoren Werke Aktiengesellschaft**, Munich (DE)
(72) Inventor: **Thomas Binder**, Stockdorf (DE)
(73) Assignee: **Bayerische Motoren Werke Aktiengesellschaft**, Munich (DE)

WO WO DM/079708 6/2013
WO WO DM/080343 8/2013

Primary Examiner — Mark A Goodwin
Assistant Examiner — Benjamin M Weeks
(74) *Attorney, Agent, or Firm* — Crowell & Moring LLP

(**) Term: **15 Years**

(57) **CLAIM**

(21) Appl. No.: **29/624,712**

The ornamental design for a headlight for a vehicle, as shown and described.

(22) Filed: **Nov. 3, 2017**

DESCRIPTION

(30) **Foreign Application Priority Data**

May 10, 2017 (DE) 40 2017 100 573
(51) **LOC (12) Cl.** **26-06**
(52) **U.S. Cl.**
USPC **D26/28**
(58) **Field of Classification Search**
USPC D26/28-36
CPC F21S 48/00; F21S 48/10; F21S 48/1266;
F21S 48/1388; F21S 48/2268; F21V
21/04

This application contains subject matter related to the following co-pending U.S. design patent applications:
Application Ser. No. 29/594,698, filed Feb. 22, 2017 and entitled "Headlight for a Vehicle";
Application Ser. No. 29/605,301, filed May 25, 2017 and entitled "Headlight for a Vehicle";
Application Ser. No. 29/607,498, filed Jun. 14, 2017 and entitled "Headlight for a Vehicle";
Application Ser. No. 29/624,716, filed herewith and entitled "Vehicle, Toy, and/or Replicas Thereof";
Application Ser. No. 29/624,718, filed herewith and entitled "Vehicle, Toy, and/or Replicas Thereof";
Application Ser. No. 29/624,719, filed herewith and entitled "Vehicle, Toy, and/or Replicas Thereof"; and,
Application Ser. No. 29/624,711, filed herewith and entitled "Headlight for a Vehicle".

See application file for complete search history.

FIG. 1 is a front view of a headlight for a vehicle according to the design;
FIG. 2 is a right, front perspective view thereof;
FIG. 3 is a left, front perspective view thereof;
FIG. 4 is a right side view thereof;
FIG. 5 is a left side view thereof;
FIG. 6 is a top view thereof;
FIG. 7 is a bottom view thereof; and,
FIG. 8 is a rear view thereof.

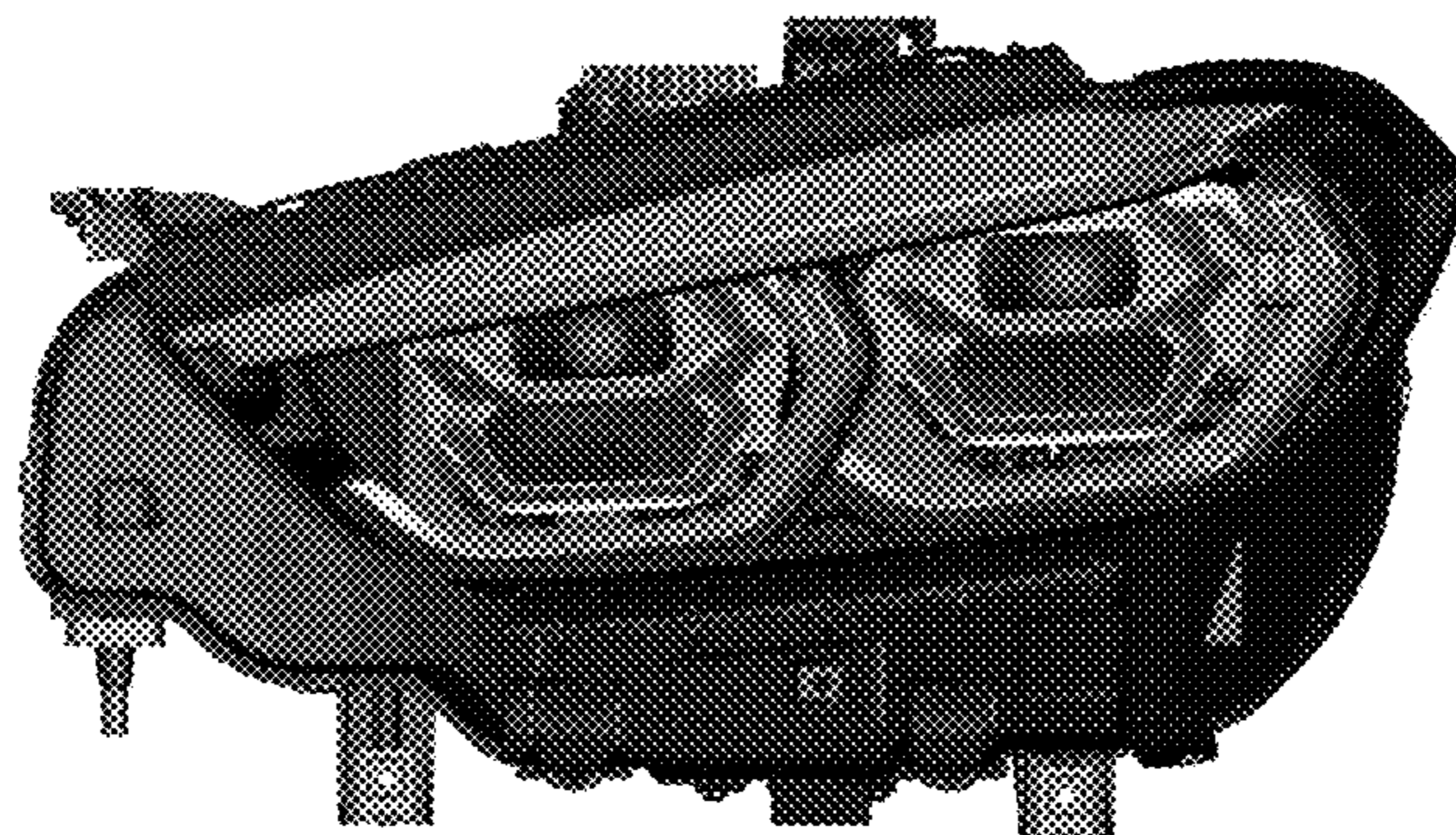
(56) **References Cited**

U.S. PATENT DOCUMENTS

D674,938 S * 1/2013 Lai D26/28
D690,040 S * 9/2013 Lai D26/28
D690,041 S * 9/2013 Lai D26/28
8,870,423 B2 * 10/2014 Mihara F21S 41/143
362/511
D745,725 S * 12/2015 McMahan D26/28
D749,246 S * 2/2016 Thole D26/28
D762,894 S * 8/2016 Luk D26/28
D767,177 S 9/2016 Faghihzadeh
D776,309 S * 1/2017 Ha D26/28
D777,360 S * 1/2017 Kozub D26/28
D777,957 S * 1/2017 Ha D26/28

(Continued)

1 Claim, 8 Drawing Sheets



(56)

References Cited

U.S. PATENT DOCUMENTS

| | | | |
|--------------|---------|-----------------|--------|
| D780,353 S * | 2/2017 | Ha | D26/28 |
| D784,576 S * | 4/2017 | Giolito | D26/28 |
| D790,743 S * | 6/2017 | Roura | D26/28 |
| D791,985 S * | 7/2017 | Lin | D26/28 |
| D801,563 S | 10/2017 | Hannemann | |
| D803,437 S * | 11/2017 | Kim | D26/28 |
| D804,692 S * | 12/2017 | Lai | D26/28 |
| D807,543 S * | 1/2018 | Lin | D26/28 |
| D821,004 S * | 6/2018 | Kanai | D26/28 |
| D828,589 S * | 9/2018 | Hannemann | D26/28 |
| D828,590 S * | 9/2018 | Hannemann | D26/28 |
| D828,592 S * | 9/2018 | Amemiya | D26/28 |
| D828,594 S * | 9/2018 | Huang | D26/28 |

* cited by examiner

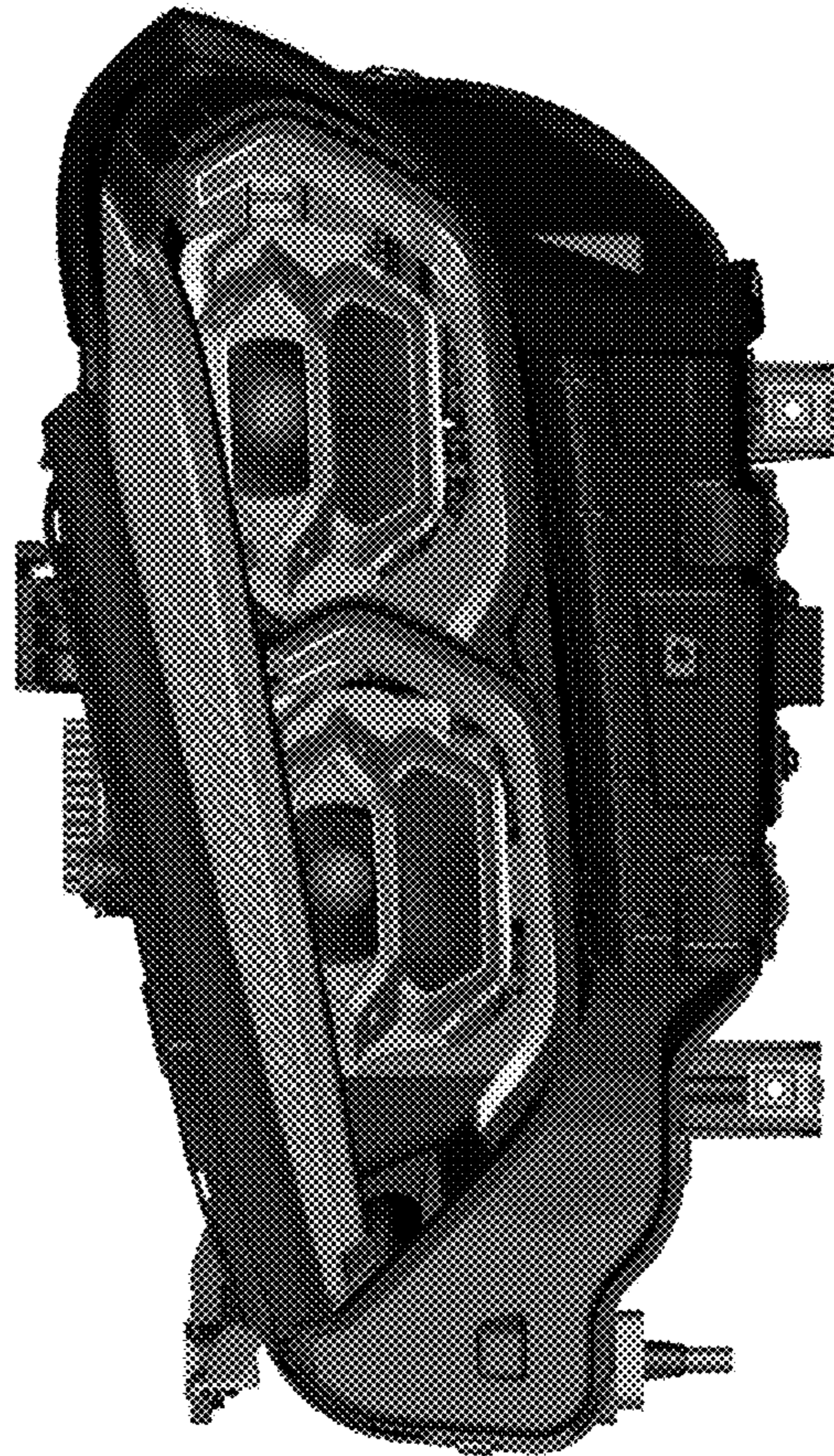


Fig. 1

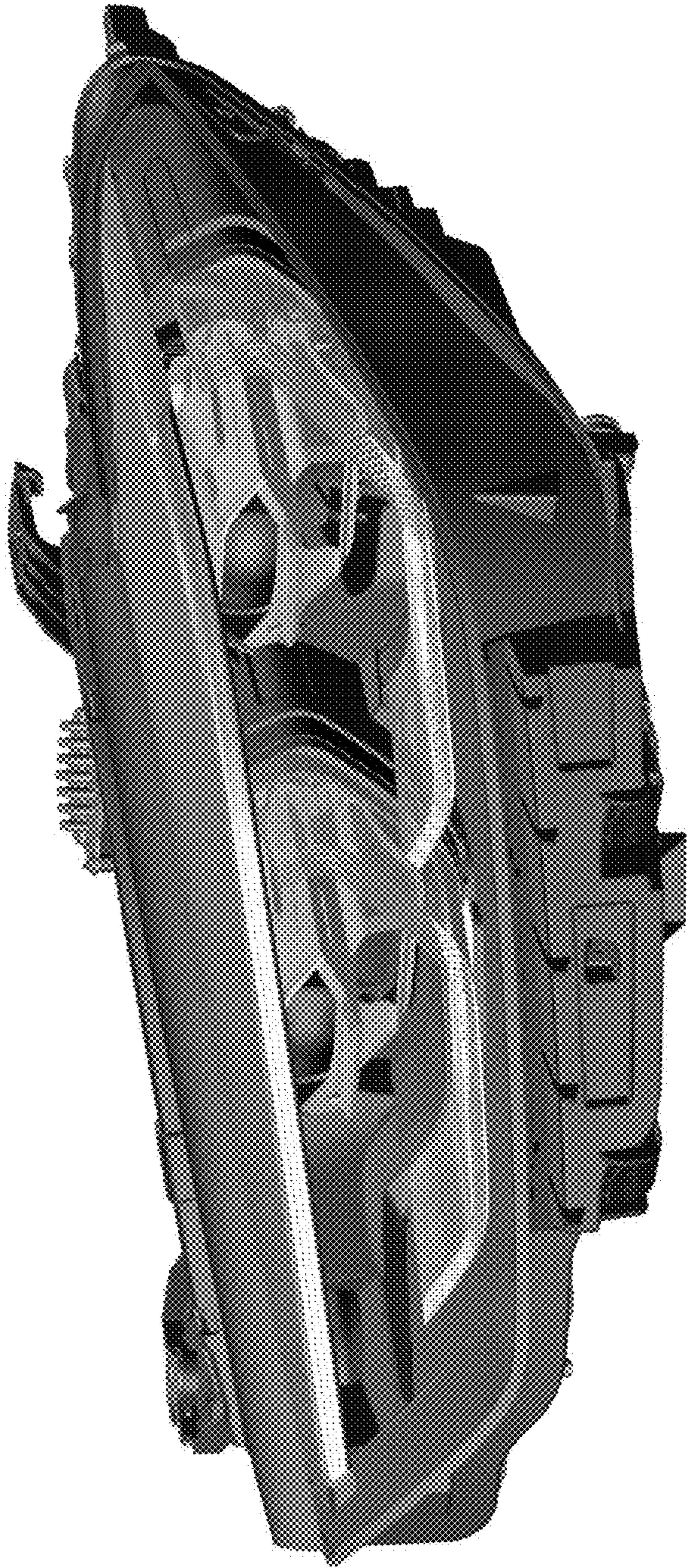


Fig. 2

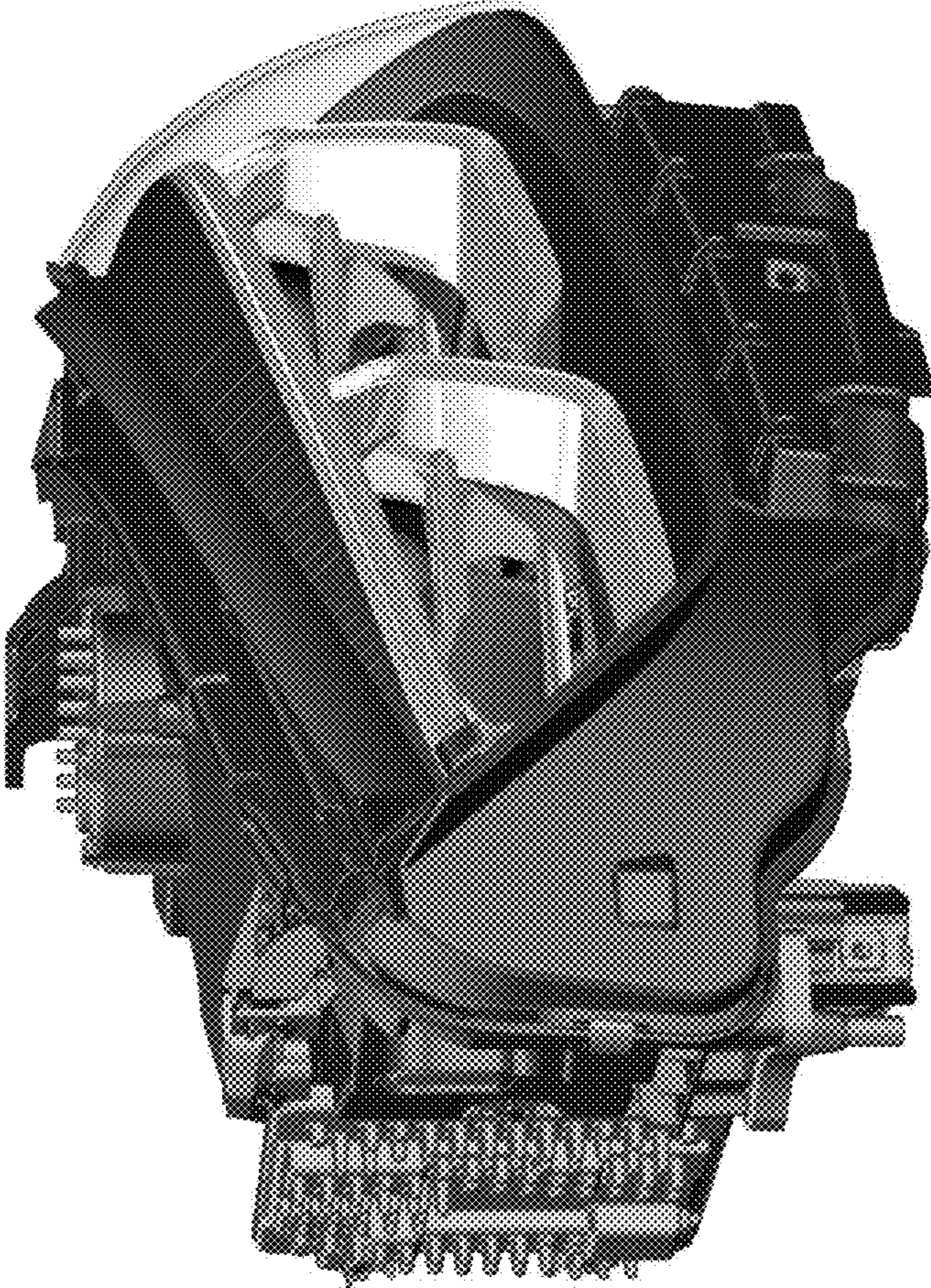


Fig. 3

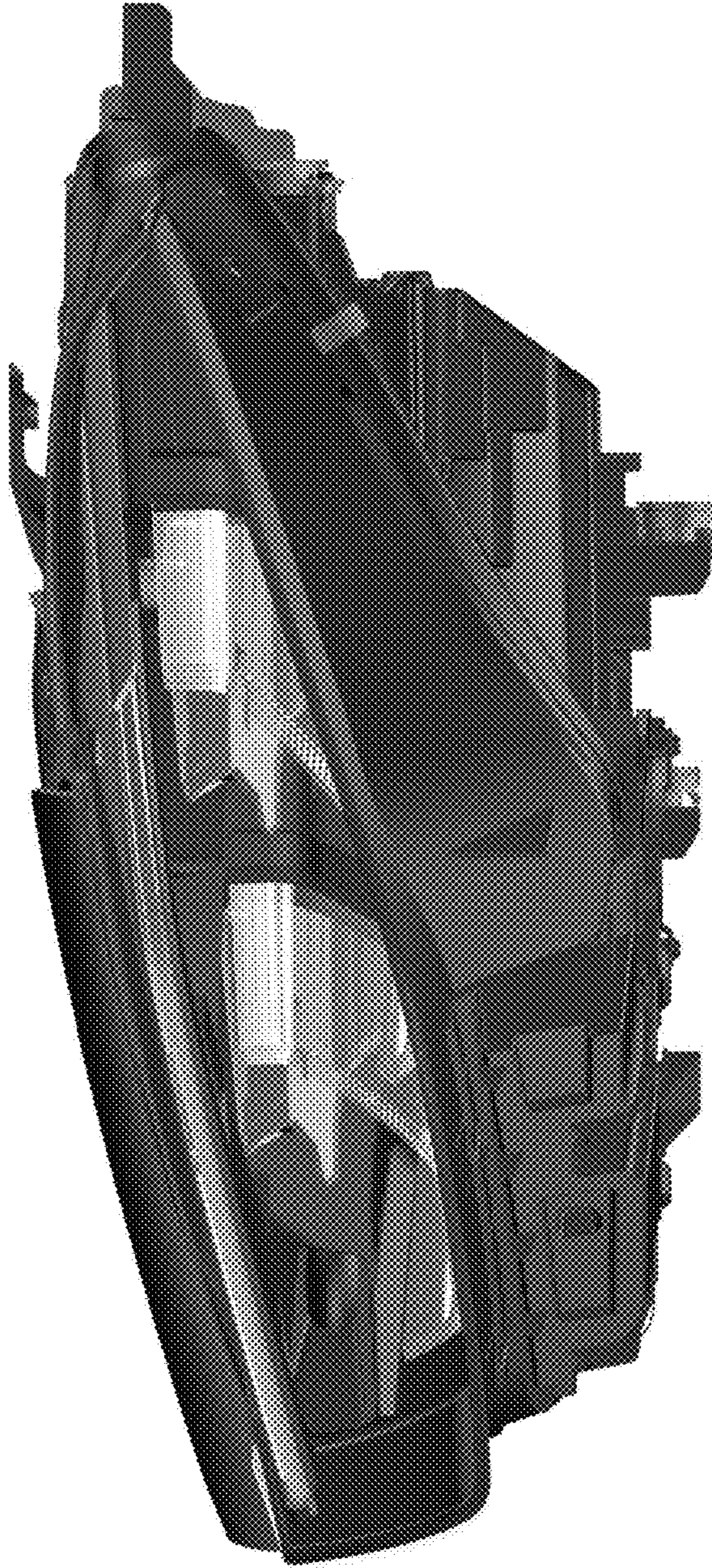


Fig. 4

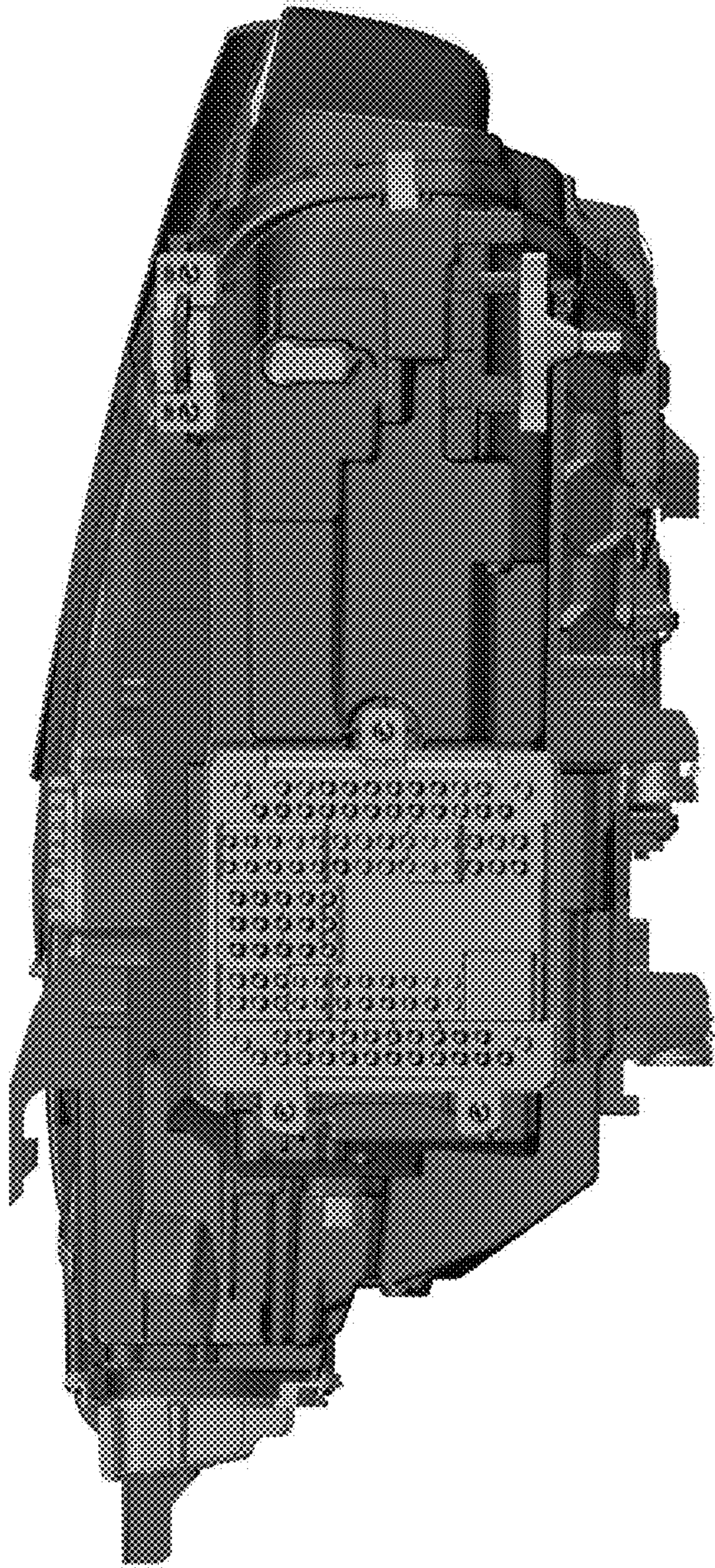


Fig. 5

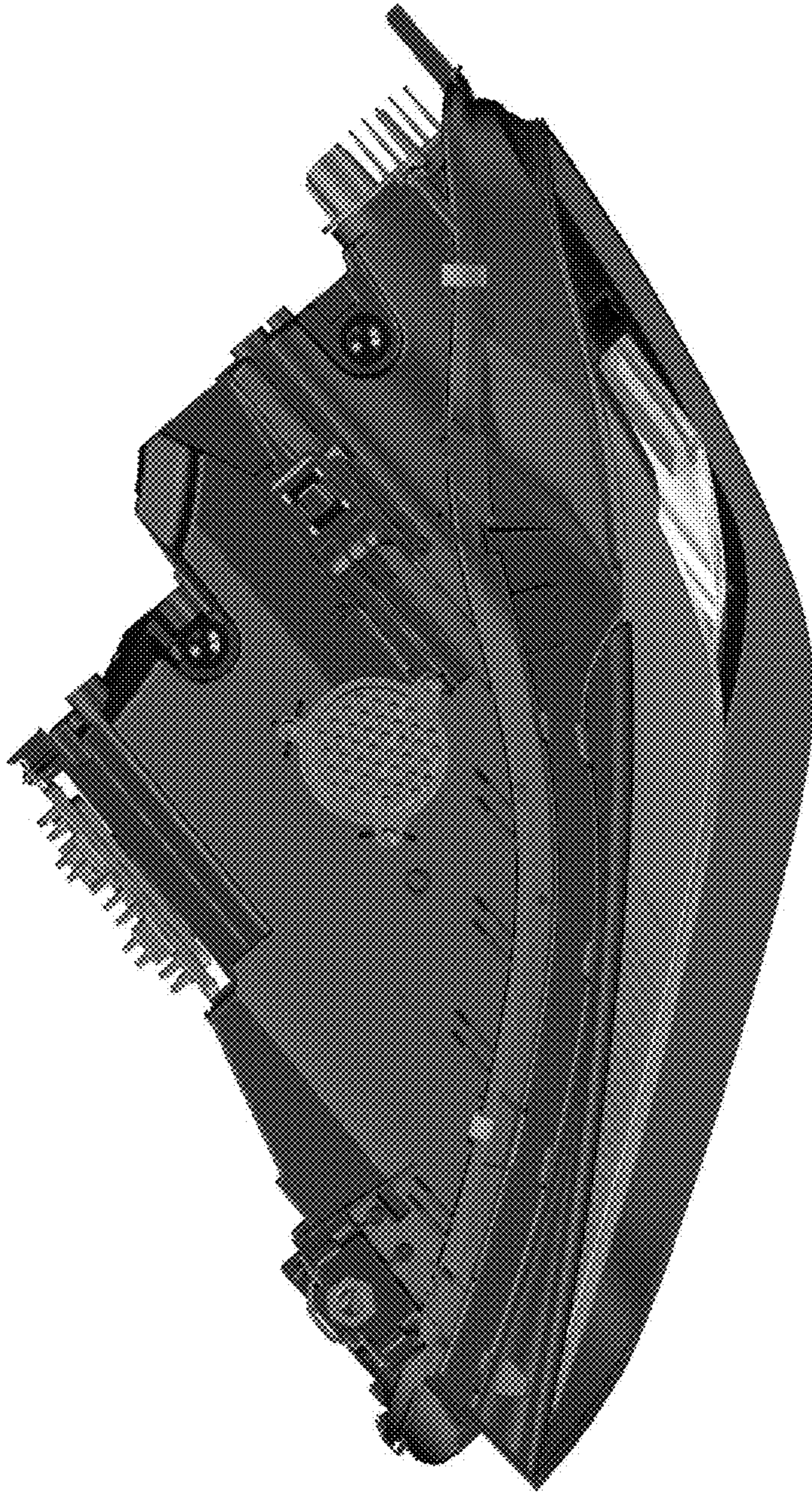


Fig. 6

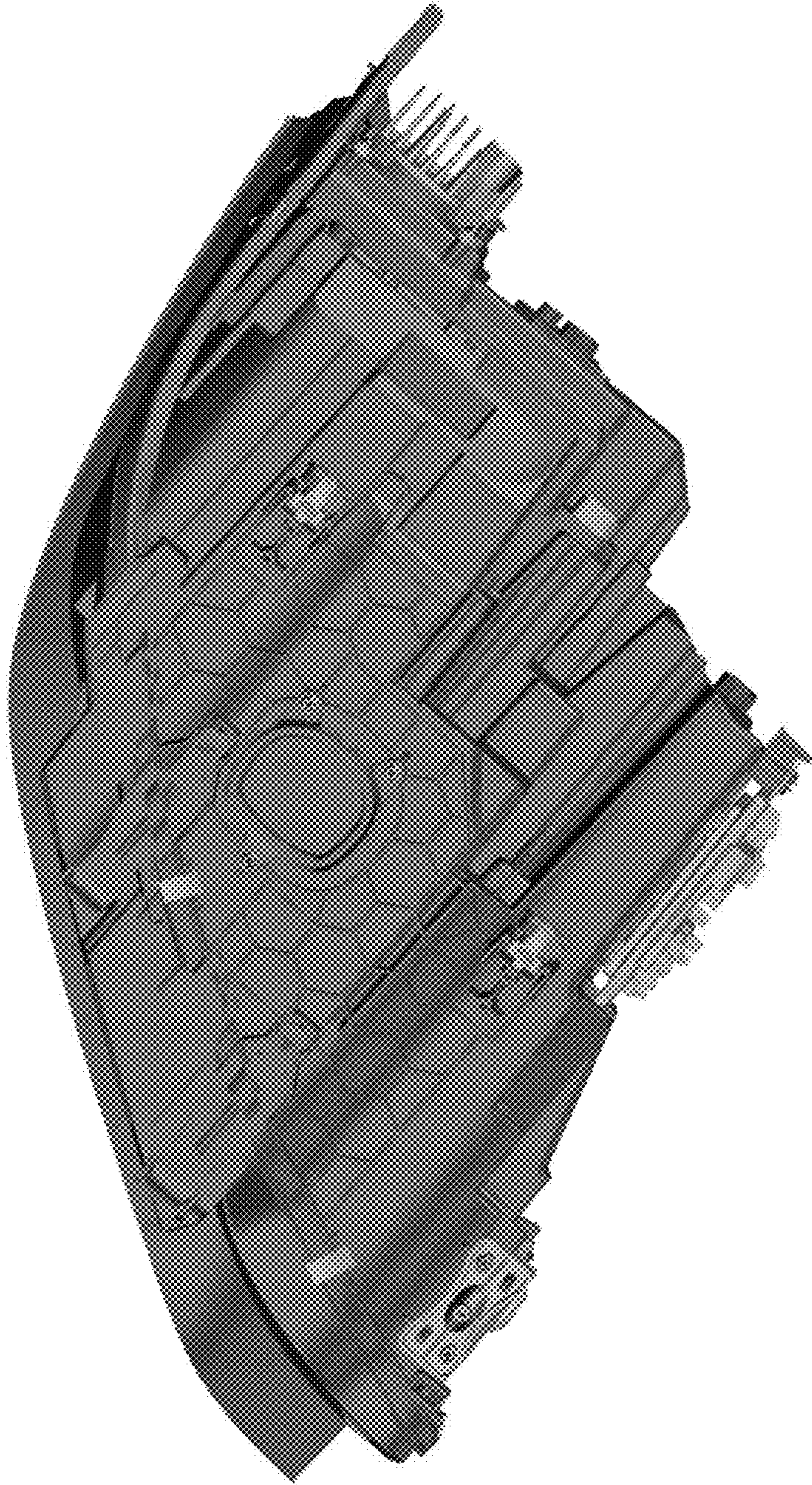


Fig. 7

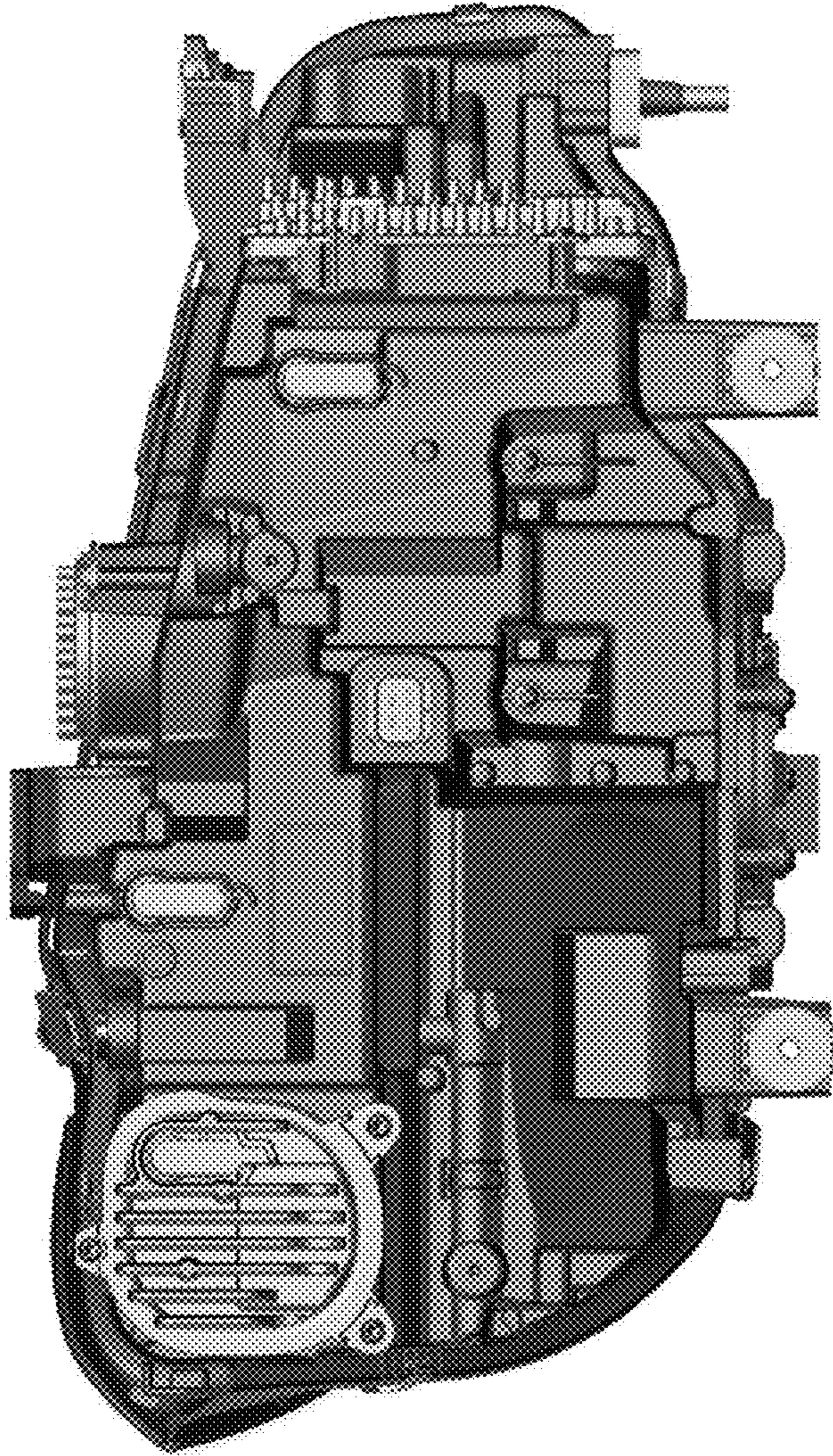


Fig. 8