



US00D864432S

(12) **United States Design Patent** (10) **Patent No.:** **US D864,432 S**  
**Thompson et al.** (45) **Date of Patent:** **\*\* Oct. 22, 2019**

- (54) **NIGHTLIGHT**
  - (71) Applicant: **1842728 Ontario Inc**, Barrie (CA)
  - (72) Inventors: **Mitchell Thompson**, Barrie (CA); **David Snaith**, Toronto (CA); **Daniel Kowalewski**, Maple (CA); **Steve A. Copeland**, Barrie (CA)
  - (73) Assignee: **1842728 Ontario Inc**, Barrie, Ontario (CA)
  - (\*\*) Term: **15 Years**
  - (21) Appl. No.: **29/666,788**
  - (22) Filed: **Oct. 16, 2018**
- |              |         |                      |
|--------------|---------|----------------------|
| 5,662,408 A  | 9/1997  | Marischen            |
| D392,756 S   | 3/1998  | Hanig et al.         |
| D393,733 S   | 4/1998  | Gaskins et al.       |
| D403,442 S   | 12/1998 | Joss                 |
| D426,657 S   | 6/2000  | Joss                 |
| D435,124 S   | 12/2000 | Yuen                 |
| 6,644,834 B2 | 11/2003 | Christen             |
| 6,894,343 B2 | 5/2005  | Harari et al.        |
| 6,905,231 B2 | 6/2005  | Dickie               |
| 6,955,448 B1 | 10/2005 | Lefferson            |
| D533,956 S   | 12/2006 | Vladika              |
| D544,618 S   | 6/2007  | Coushaine            |
| D556,938 S   | 12/2007 | Russello et al.      |
| 7,303,327 B2 | 12/2007 | Copeland et al.      |
| D562,492 S   | 2/2008  | Chen                 |
| D574,095 S   | 7/2008  | Hill et al.          |
| D606,185 S   | 12/2009 | Weffler et al.       |
| D628,722 S   | 12/2010 | Yamamoto et al.      |
| D634,055 S   | 3/2011  | Hokazono et al.      |
| D641,098 S * | 7/2011  | Wildner ..... D26/85 |

(Continued)

**Related U.S. Application Data**

- (62) Division of application No. 29/600,376, filed on Apr. 12, 2017, now Pat. No. Des. 835,307.
- (51) **LOC (12) Cl.** ..... **26-05**
- (52) **U.S. Cl.**  
USPC ..... **D26/26**
- (58) **Field of Classification Search**  
USPC ..... D26/26, 24, 113, 118, 119, 120;  
D23/366, 367, 369; 362/640, 641, 642,  
362/643, 644, 650, 651, 652, 653, 659  
CPC ..... F21S 8/035; F21V 23/06; F21V 23/0442;  
F21W 2121/00; H01R 2103/00  
See application file for complete search history.

Primary Examiner — Angela J Lee

(74) *Attorney, Agent, or Firm* — Sand, Sebolt & Wernow Co., LPA

(57) **CLAIM**

The ornamental design for a nightlight, as shown and described.

**DESCRIPTION**

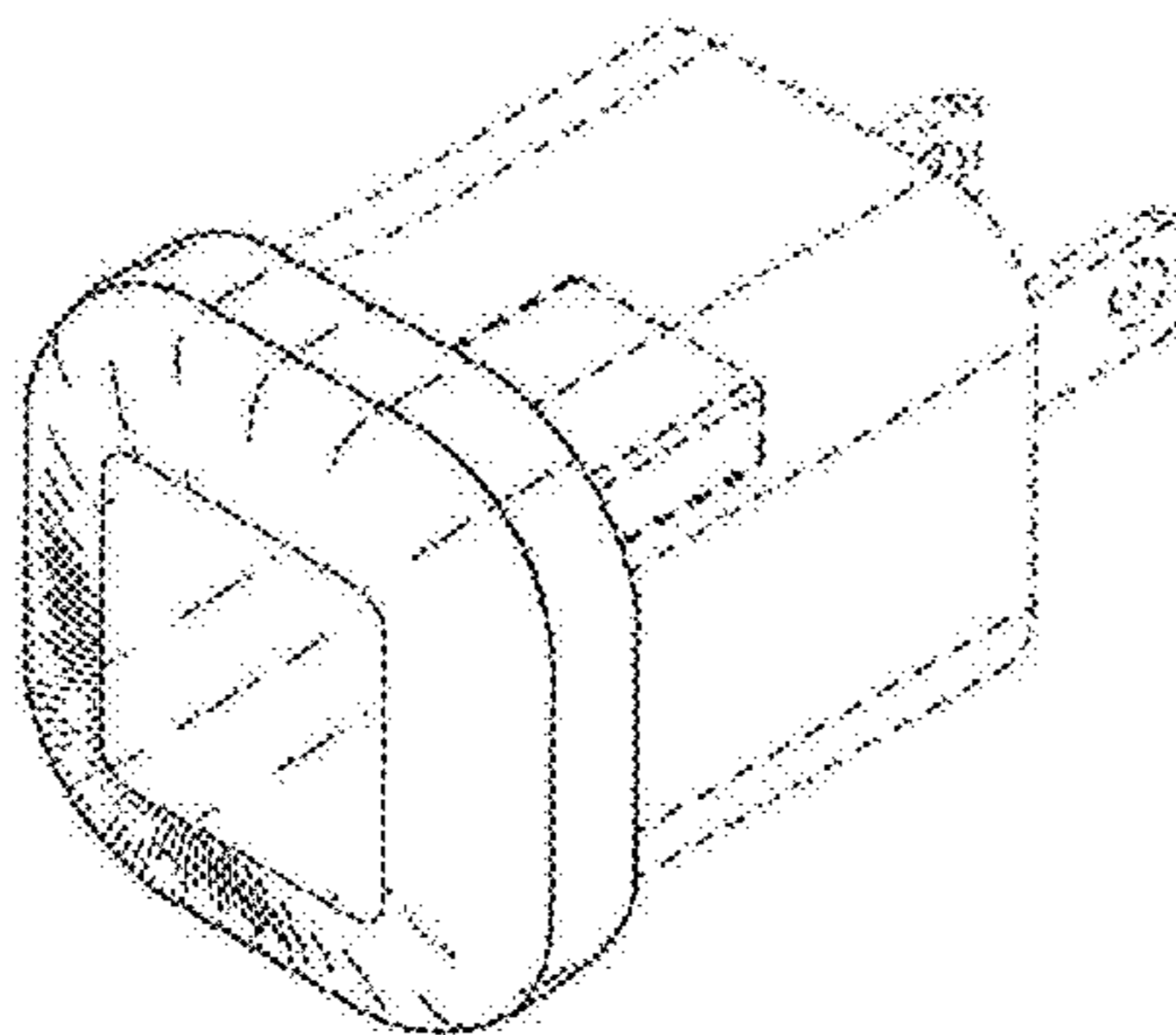
FIG. 1 is a front right top isometric perspective view of a new ornamental design for a nightlight; FIG. 2 is a front elevation view of the nightlight of FIG. 1; FIG. 3 is a rear elevation view of the nightlight of FIG. 1; and, FIG. 4 is a right side elevation view of the nightlight of FIG. 1, the left side elevation view being a mirror image thereof. The broken lines shown represent unclaimed subject matter and form no part of the claimed design.

(56) **References Cited**

U.S. PATENT DOCUMENTS

- |             |         |           |
|-------------|---------|-----------|
| 3,780,260 A | 12/1973 | Elsner    |
| D352,564 S  | 11/1994 | Marischen |
| D375,808 S  | 11/1996 | Fang      |
| D376,436 S  | 12/1996 | Emmerling |
| D377,535 S  | 1/1997  | Shulman   |

**1 Claim, 4 Drawing Sheets**



(56)

References Cited

U.S. PATENT DOCUMENTS

D647,227 S 10/2011 Kaule et al.  
 D692,549 S \* 10/2013 Wirz ..... D23/366  
 D736,449 S 8/2015 Getty  
 D741,539 S 10/2015 Gettings et al.  
 9,408,282 B1 8/2016 Springer  
 D770,075 S \* 10/2016 Huang ..... D26/74  
 D771,860 S 11/2016 Weiss et al.  
 D777,367 S 1/2017 Ma  
 D779,977 S 2/2017 Jacob et al.  
 9,568,171 B1 2/2017 Grider et al.  
 9,633,557 B2 4/2017 Dimberg et al.  
 D794,765 S 8/2017 Brandenburg et al.  
 9,759,421 B1 9/2017 Baschnagel  
 D800,678 S \* 10/2017 Omori ..... D13/180  
 D808,046 S \* 1/2018 Jianting ..... D26/26  
 D821,615 S \* 6/2018 Trice ..... D26/26  
 D826,465 S \* 8/2018 Knuepfel ..... D26/118  
 D829,364 S \* 9/2018 Momin ..... D26/120  
 D835,306 S \* 12/2018 Thompson ..... D26/26

D835,307 S \* 12/2018 Thompson ..... D26/26  
 D835,327 S \* 12/2018 Li ..... D26/89  
 10,299,326 B2 \* 5/2019 Thompson ..... H05B 33/0803  
 D852,176 S \* 6/2019 Moon ..... D14/240  
 2002/0014960 A1 2/2002 Williams, Jr.  
 2003/0193795 A1 10/2003 Brown  
 2004/0145890 A1 7/2004 Liao  
 2007/0253192 A1 11/2007 Monteiro et al.  
 2008/0123332 A1 5/2008 Searfoss  
 2009/0073694 A1 3/2009 Scannell, Jr.  
 2012/0009807 A1 1/2012 Kuo  
 2014/0016331 A1 1/2014 Ting  
 2014/0316581 A1 10/2014 Fadell et al.  
 2015/0249336 A1 9/2015 Raneri  
 2015/0371534 A1 12/2015 Dimberg et al.  
 2016/0025316 A1 1/2016 Chien  
 2016/0173746 A1 6/2016 Chien  
 2016/0181726 A1 6/2016 Zhang  
 2016/0313636 A1 10/2016 Chien  
 2017/0193814 A1 7/2017 Dimberg et al.  
 2017/0205058 A1 7/2017 Ostrander

\* cited by examiner

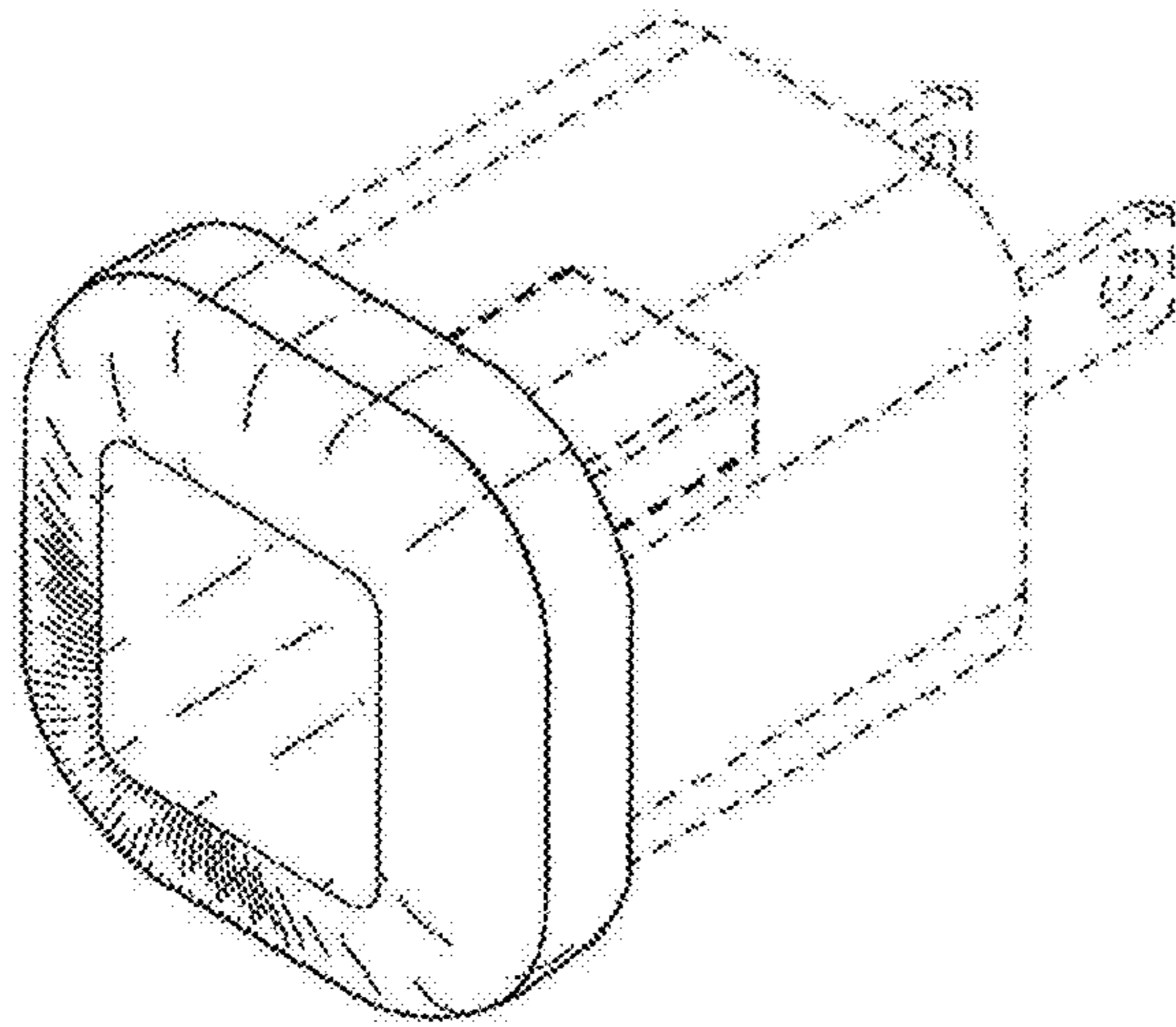


FIG. 1

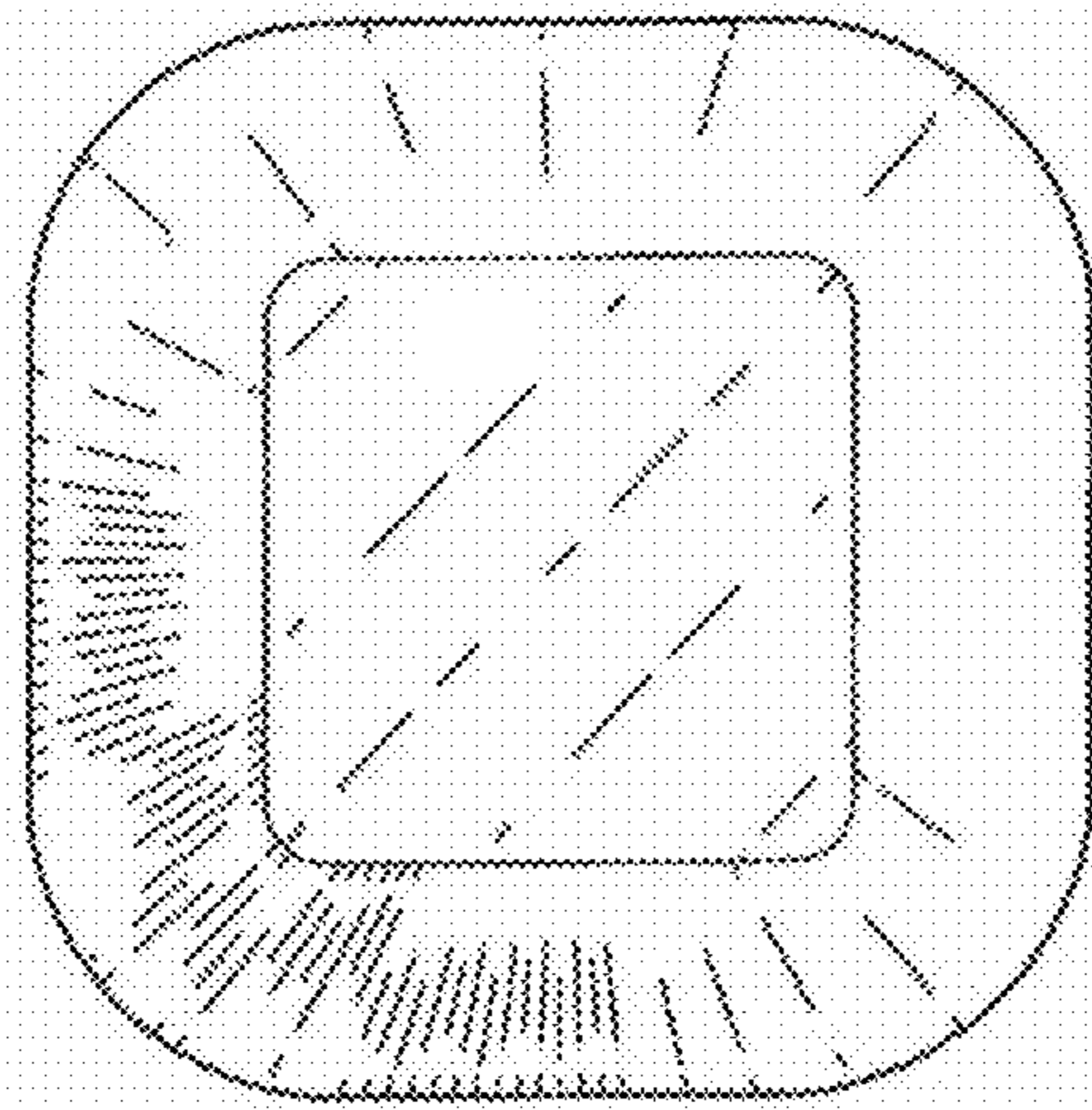


FIG. 2

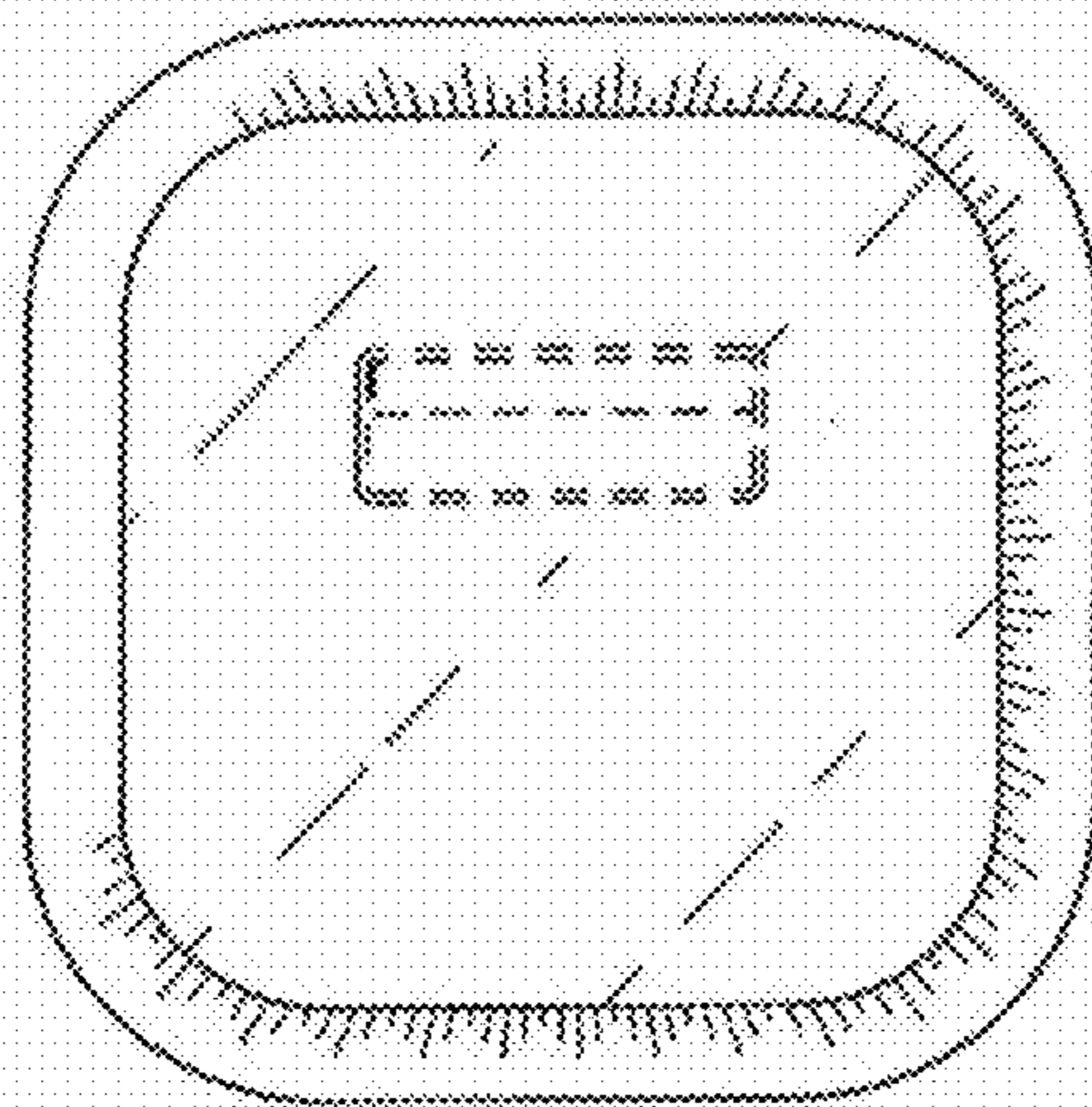


FIG. 3

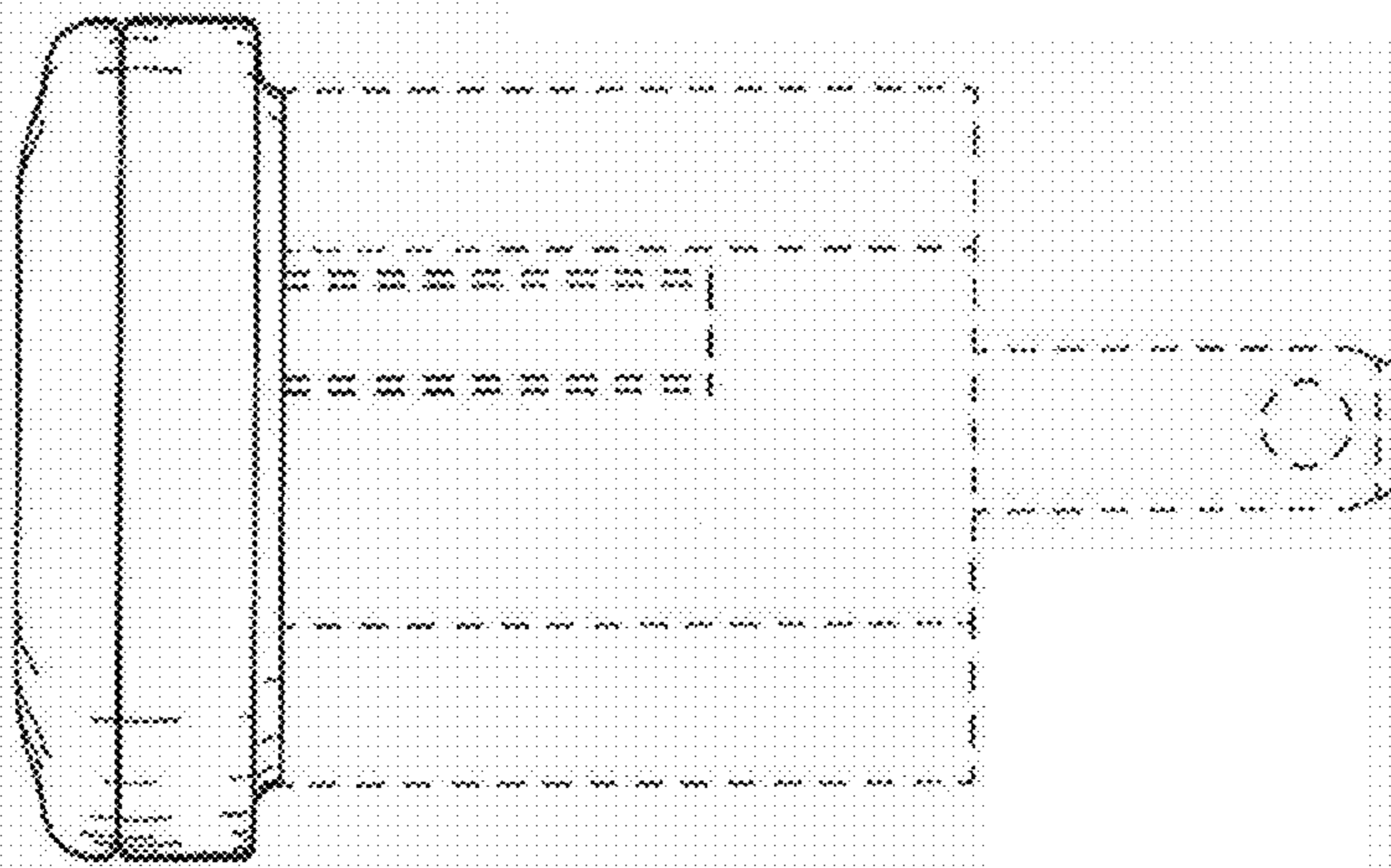


FIG. 4