

(56)

References Cited

U.S. PATENT DOCUMENTS

D647,227 S	10/2011	Kaule et al.	
D692,549 S *	10/2013	Wirz	D23/366
D736,449 S	8/2015	Getty	
D741,539 S	10/2015	Gettings et al.	
9,408,282 B1	8/2016	Springer	
D770,075 S *	10/2016	Huang	D26/74
D771,860 S	11/2016	Weiss et al.	
D777,367 S	1/2017	Ma	
D779,977 S	2/2017	Jacob et al.	
9,568,171 B1	2/2017	Grider et al.	
9,633,557 B2	4/2017	Dimberg et al.	
D794,765 S	8/2017	Brandenburg et al.	
9,759,421 B1	9/2017	Baschnagel	
D800,678 S *	10/2017	Omori	D13/180
D808,046 S *	1/2018	Jianting	D26/26
D821,615 S *	6/2018	Trice	D26/26
D826,465 S *	8/2018	Knuepfel	D26/118
D829,364 S *	9/2018	Momin	D26/120
D835,306 S *	12/2018	Thompson	D26/26
D835,307 S *	12/2018	Thompson	D26/26
D835,327 S *	12/2018	Li	D26/89
10,299,326 B2 *	5/2019	Thompson	H05B 33/0803
D852,176 S *	6/2019	Moon	D14/240
2002/0014960 A1	2/2002	Williams, Jr.	
2003/0193795 A1	10/2003	Brown	
2004/0145890 A1	7/2004	Liao	
2007/0253192 A1	11/2007	Monteiro et al.	
2008/0123332 A1	5/2008	Searfoss	
2009/0073694 A1	3/2009	Scannell, Jr.	
2012/0009807 A1	1/2012	Kuo	
2014/0016331 A1	1/2014	Ting	
2014/0316581 A1	10/2014	Fadell et al.	
2015/0249336 A1	9/2015	Raneri	
2015/0371534 A1	12/2015	Dimberg et al.	
2016/0025316 A1	1/2016	Chien	
2016/0173746 A1	6/2016	Chien	
2016/0181726 A1	6/2016	Zhang	
2016/0313636 A1	10/2016	Chien	
2017/0193814 A1	7/2017	Dimberg et al.	
2017/0205058 A1	7/2017	Ostrander	

* cited by examiner

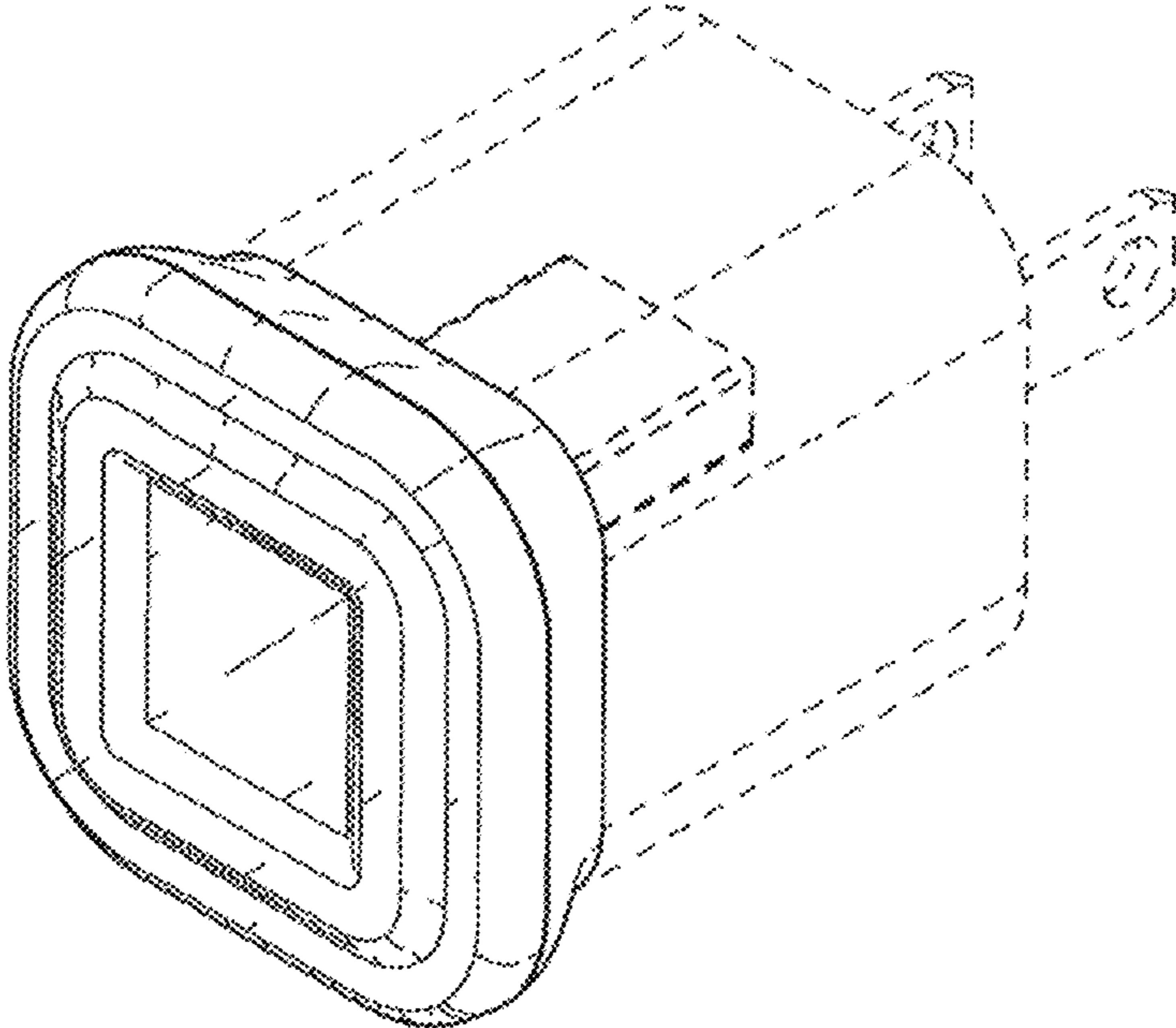


FIG. 1

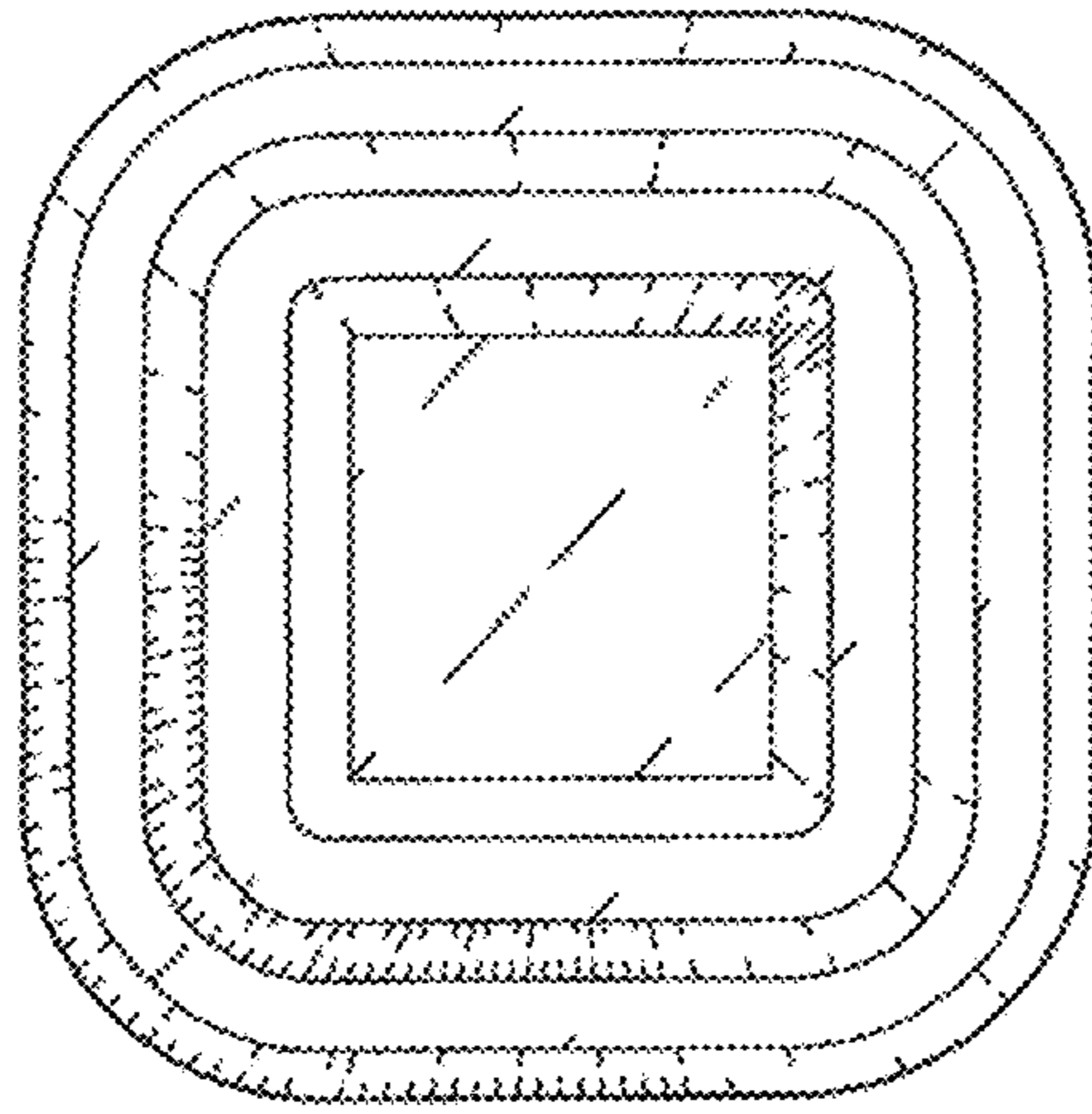


FIG. 2

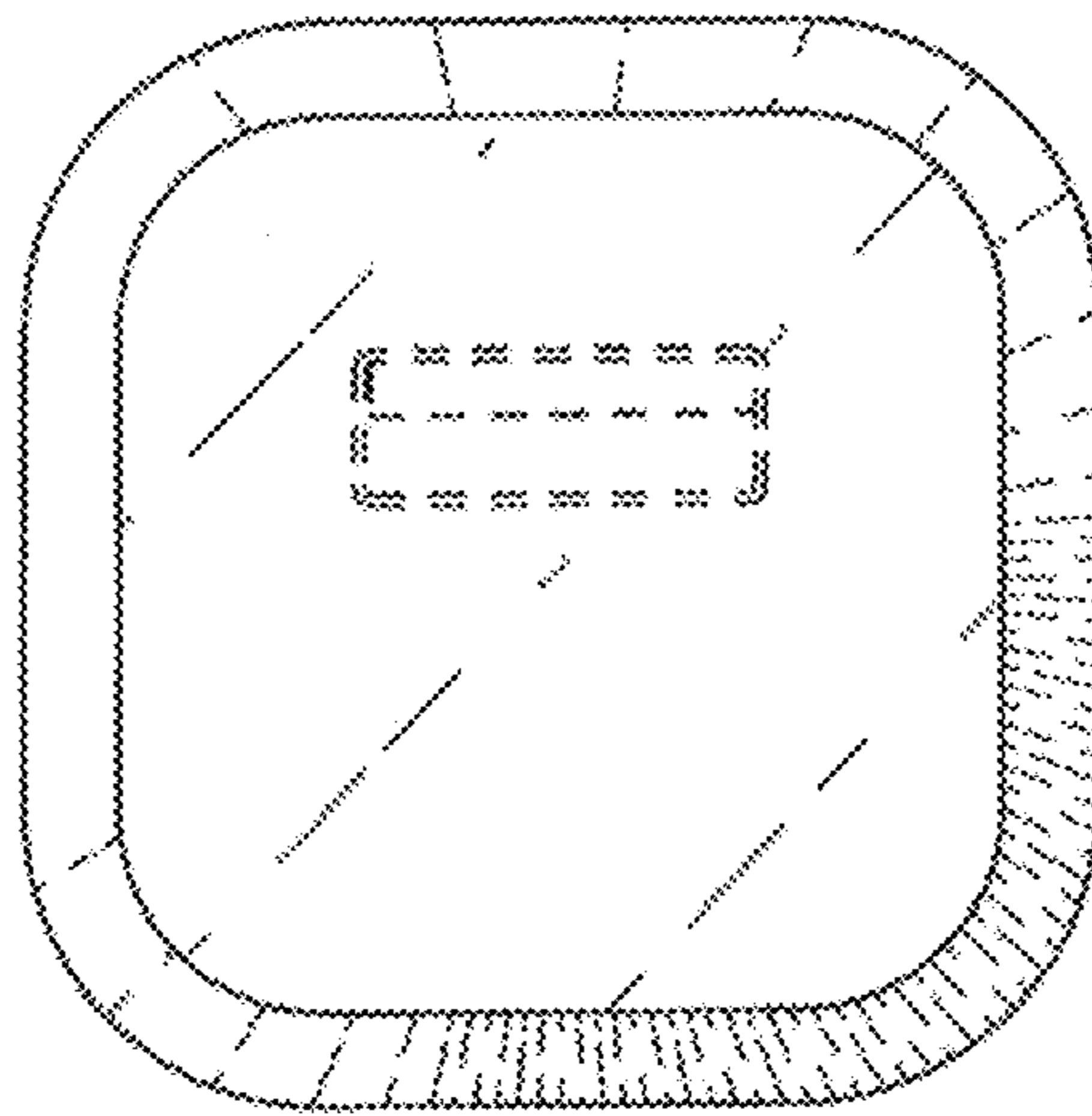


FIG. 3

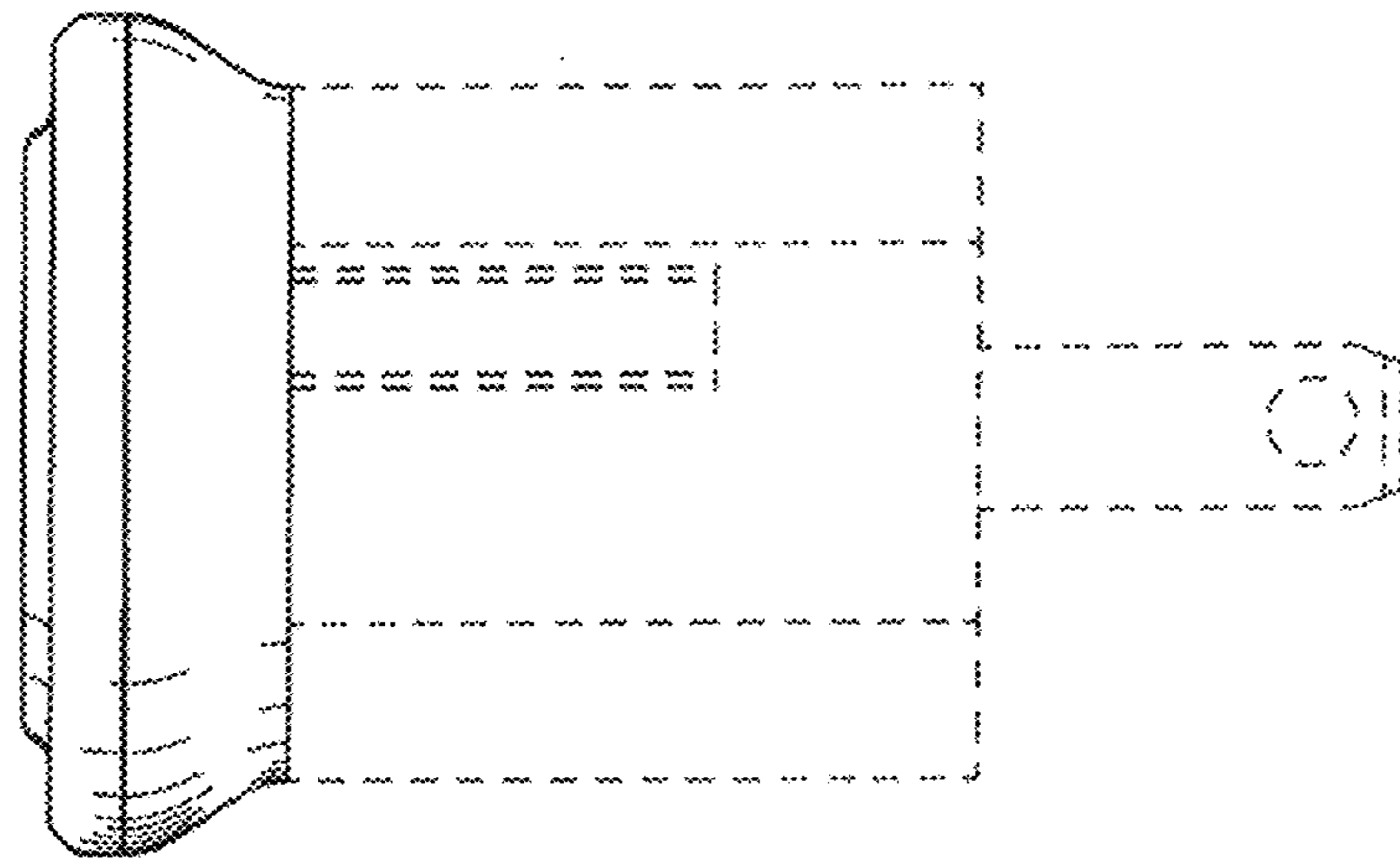


FIG. 4