



(56)

References Cited

U.S. PATENT DOCUMENTS

D647,227 S	10/2011	Kaule et al.					
D692,549 S *	10/2013	Wirz .....	D23/366				
D736,449 S	8/2015	Getty					
D741,539 S	10/2015	Gettings et al.					
9,408,282 B1	8/2016	Springer					
D770,075 S *	10/2016	Huang .....	D26/74				
D771,860 S	11/2016	Weiss et al.					
D777,367 S	1/2017	Ma					
D779,977 S	2/2017	Jacob et al.					
9,568,171 B1	2/2017	Grider et al.					
9,633,557 B2	4/2017	Dimberg et al.					
D794,765 S	8/2017	Brandenburg et al.					
9,759,421 B1	9/2017	Baschnagel					
D800,678 S *	10/2017	Omori .....	D13/180				
D808,046 S *	1/2018	Jianting .....	D26/26				
D821,615 S *	6/2018	Trice .....	D26/26				
D826,465 S *	8/2018	Knuepfel .....	D26/118				
D829,364 S *	9/2018	Momin .....	D26/120				
D835,306 S *	12/2018	Thompson .....	D26/26				
				D835,307 S *	12/2018	Thompson .....	D26/26
				D835,327 S *	12/2018	Li .....	D26/89
				10,299,326 B2 *	5/2019	Thompson .....	H05B 33/0803
				D852,176 S *	6/2019	Moon .....	D14/240
				2002/0014960 A1	2/2002	Williams, Jr.	
				2003/0193795 A1	10/2003	Brown	
				2004/0145890 A1	7/2004	Liao	
				2007/0253192 A1	11/2007	Monteiro et al.	
				2008/0123332 A1	5/2008	Searfoss	
				2009/0073694 A1	3/2009	Scannell, Jr.	
				2012/0009807 A1	1/2012	Kuo	
				2014/0016331 A1	1/2014	Ting	
				2014/0316581 A1	10/2014	Fadell et al.	
				2015/0249336 A1	9/2015	Raneri	
				2015/0371534 A1	12/2015	Dimberg et al.	
				2016/0025316 A1	1/2016	Chien	
				2016/0173746 A1	6/2016	Chien	
				2016/0181726 A1	6/2016	Zhang	
				2016/0313636 A1	10/2016	Chien	
				2017/0193814 A1	7/2017	Dimberg et al.	
				2017/0205058 A1	7/2017	Ostrander	

\* cited by examiner

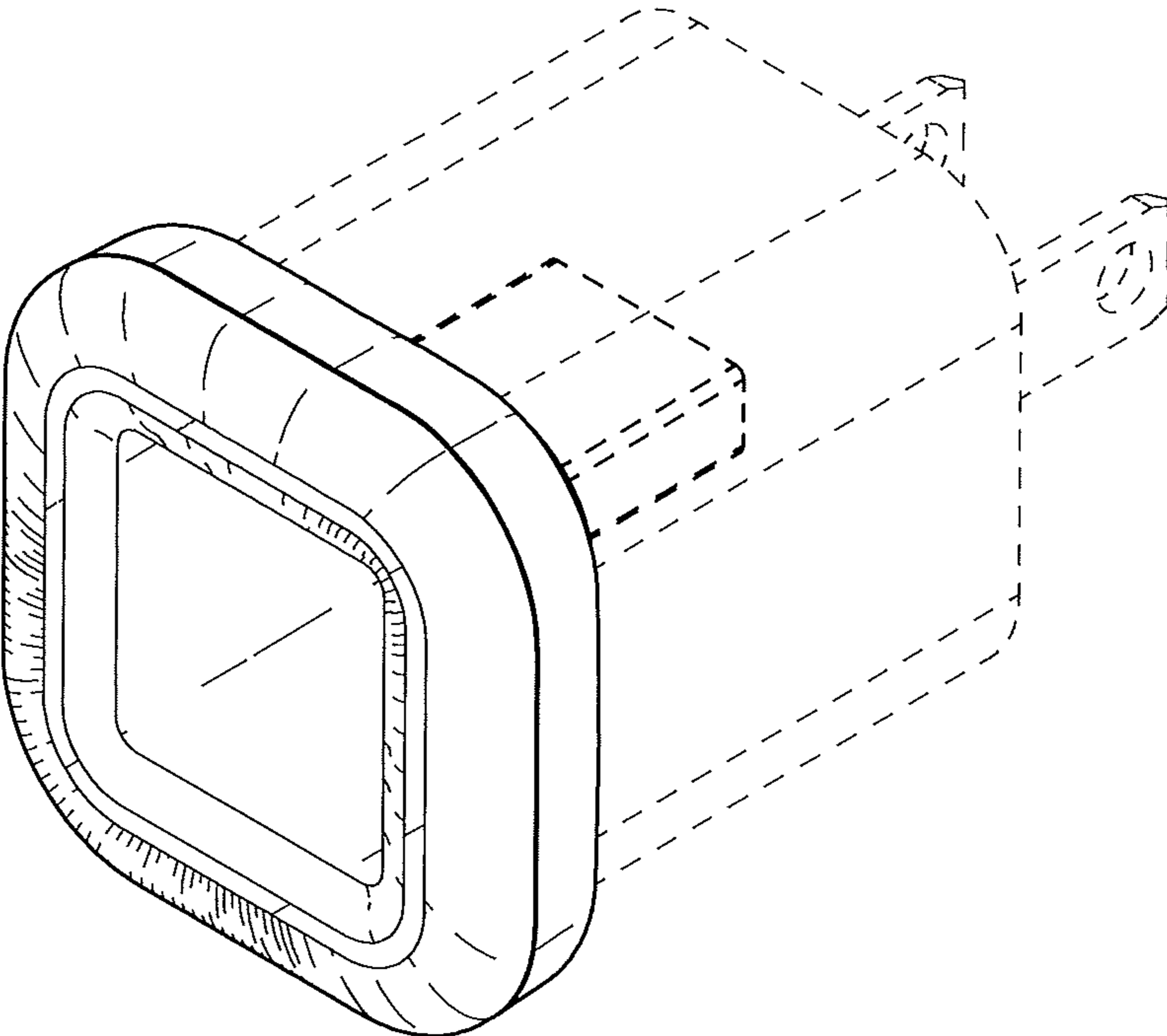


FIG. 1

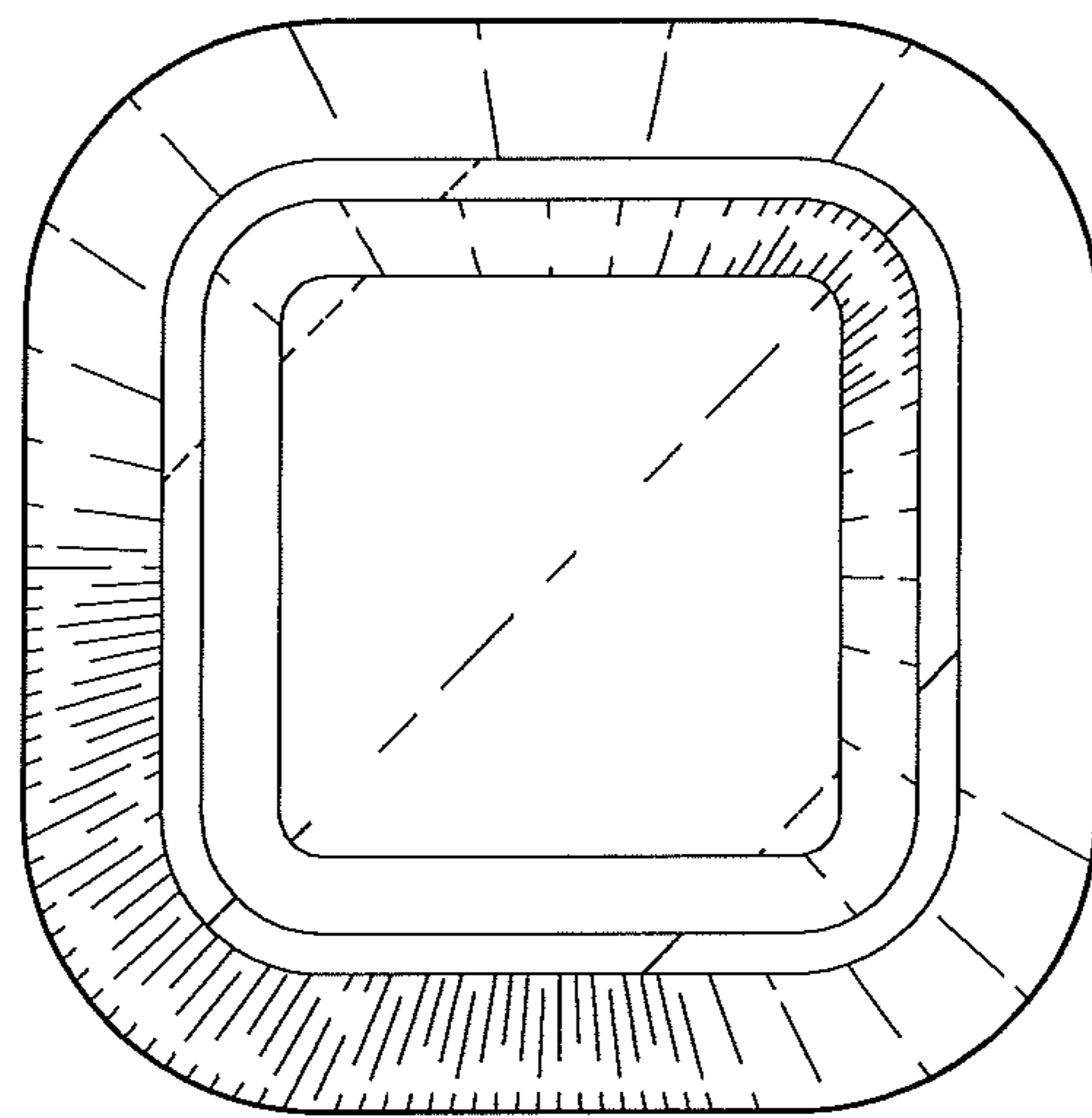


FIG. 2

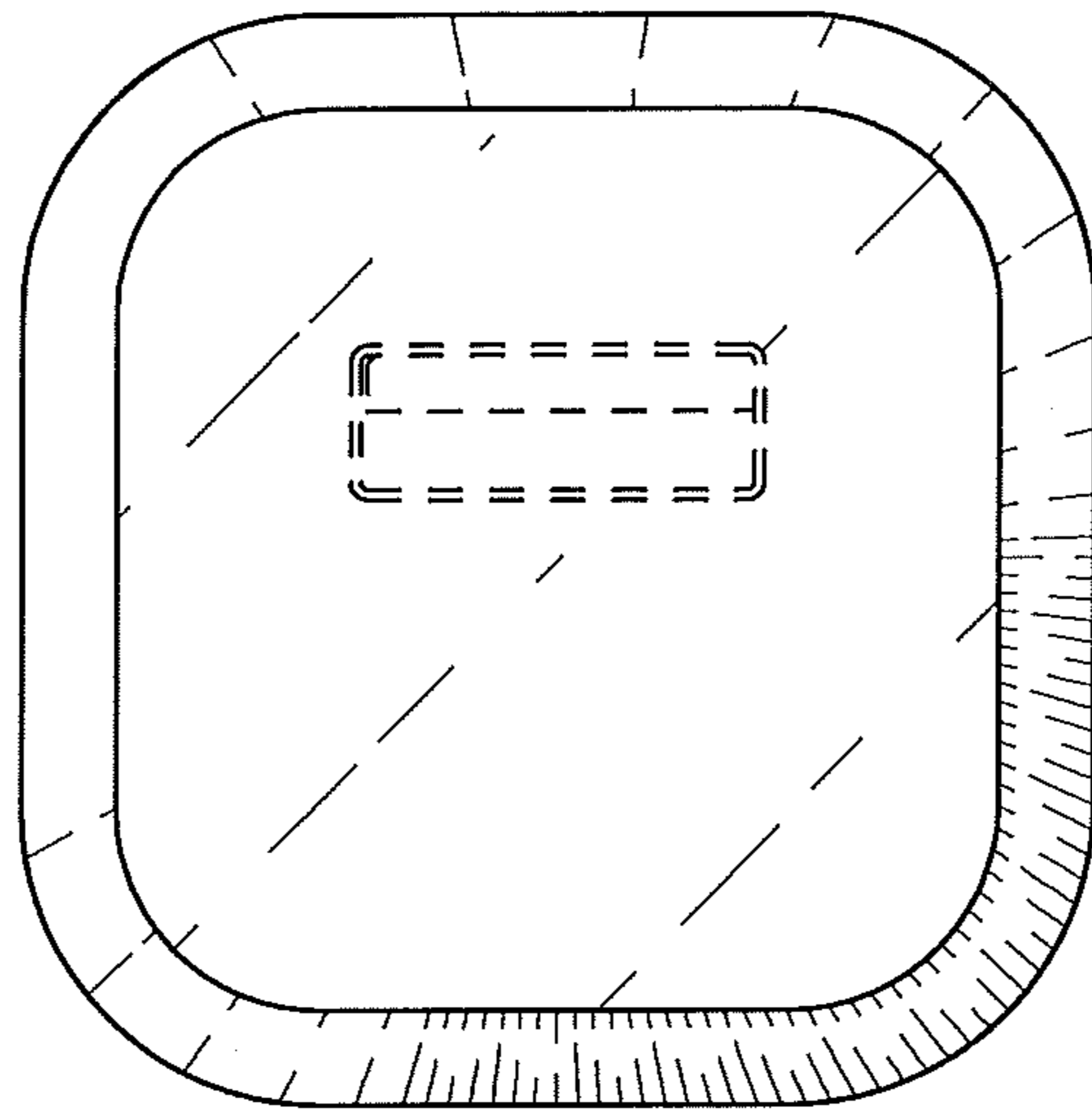


FIG. 3

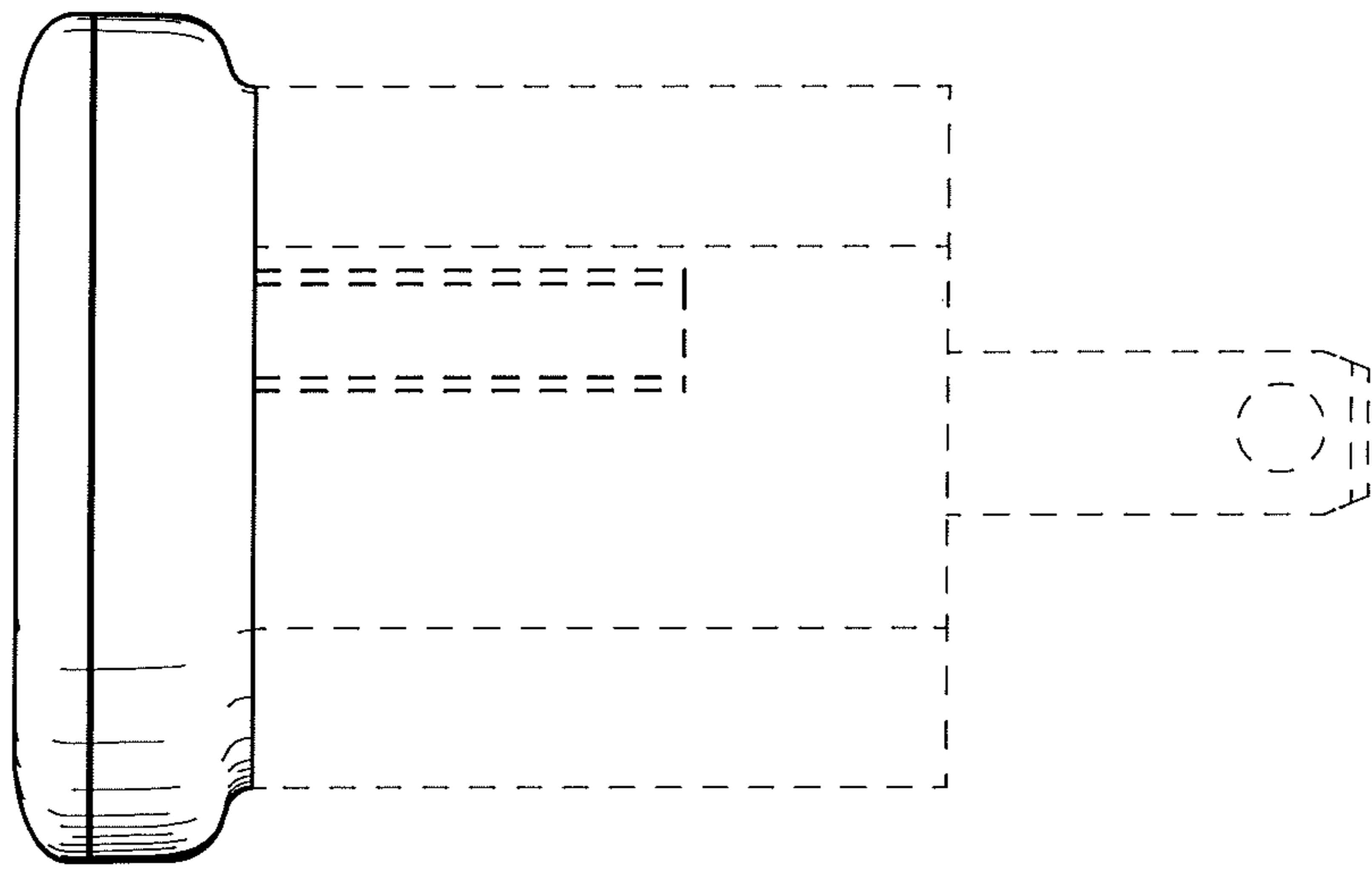


FIG. 4