



US00D864429S

(12) **United States Design Patent**
Zhang et al.

(10) **Patent No.:** **US D864,429 S**
(45) **Date of Patent:** **** Oct. 22, 2019**

(54) **NIGHT LIGHT**

(71) Applicant: **Zhongshan Winstar Electrical Co., Ltd.**, Zhongshan, Guangdong (CN)

(72) Inventors: **Baohua Zhang**, Guangdong (CN);
Guozhao Tan, Guangdong (CN)

(73) Assignee: **Zhongshan Winstar Electrical Co., Ltd.**, Zhongshan (CN)

(**) Term: **15 Years**

(21) Appl. No.: **29/657,697**

(22) Filed: **Jul. 24, 2018**

(30) **Foreign Application Priority Data**

May 5, 2018 (CN) 2018 3 0199299

(51) **LOC (12) Cl.** **26-05**

(52) **U.S. Cl.**
USPC **D26/26**

(58) **Field of Classification Search**
USPC D26/26, 24, 113, 118, 119, 120;
D23/366, 367, 369; 362/640, 641, 642,
362/643, 644, 650, 651, 652, 653, 659
CPC F21S 8/035; F21V 23/06; F21V 23/0442;
F21W 2121/00; H01R 2103/00
See application file for complete search history.

(56) **References Cited**

U.S. PATENT DOCUMENTS

D287,408 S * 12/1986 Gaines D26/26
D429,829 S * 8/2000 Doran D13/137.1
D512,493 S * 12/2005 Haranaka D23/355
D622,424 S * 8/2010 Smith D26/26
D633,237 S * 2/2011 Wang D26/26
D642,709 S * 8/2011 Kang D26/26

D647,193 S * 10/2011 Kim D23/366
D772,442 S * 11/2016 Lange D26/26
D806,915 S * 1/2018 Burke D26/26
D813,212 S * 3/2018 Nangeroni D14/240

* cited by examiner

Primary Examiner — Angela J Lee

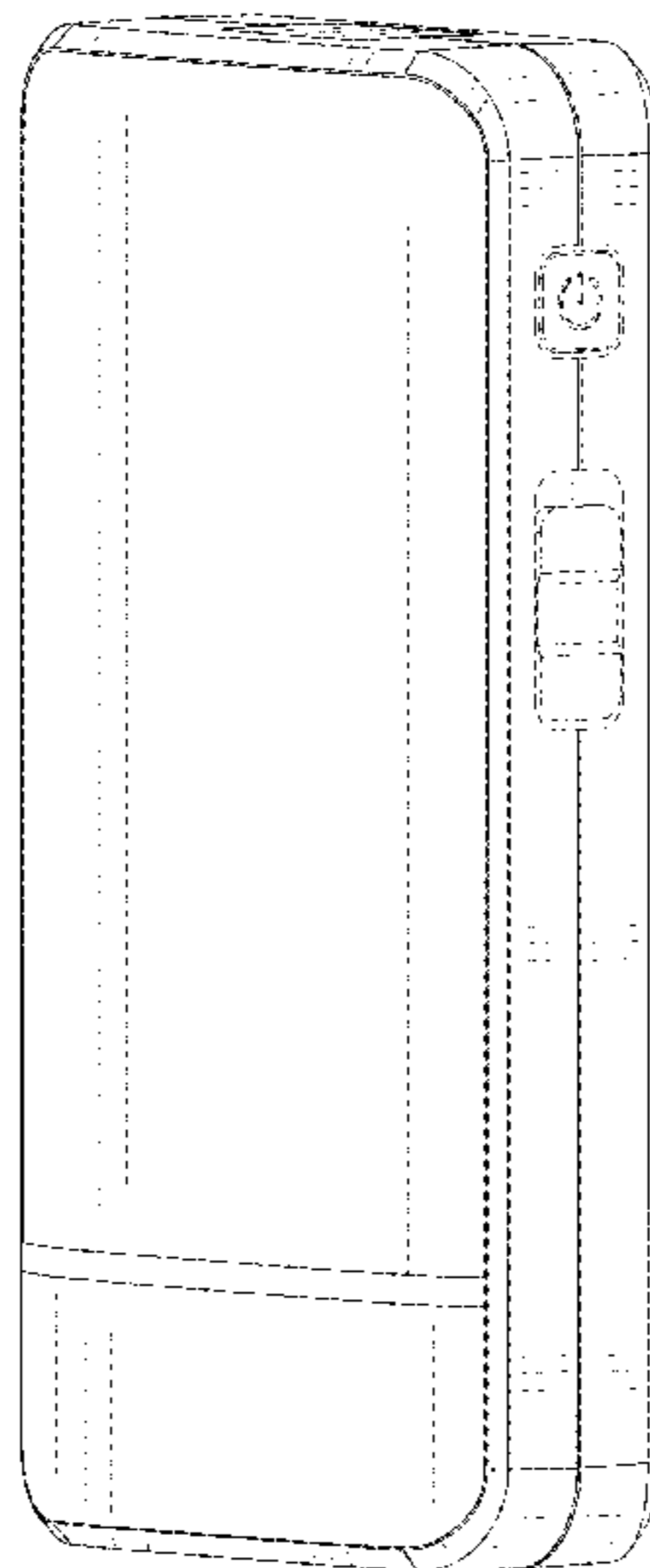
(57) **CLAIM**

The ornamental design for a night light, as shown and described.

DESCRIPTION

FIG. 1 is a front elevational view of a first embodiment of a night light showing our new design;
FIG. 2 is a rear elevational view thereof;
FIG. 3 is a top plan view thereof;
FIG. 4 is a bottom plan view thereof;
FIG. 5 is a left side view thereof;
FIG. 6 is a right side view thereof;
FIG. 7 is a front and right side perspective view thereof;
FIG. 8 is a rear and left side perspective view thereof;
FIG. 9 is a perspective view of FIG. 8 showing the plug in an open state;
FIG. 10 is a front elevational view of a second embodiment of the night light;
FIG. 11 is a rear elevational view of FIG. 10;
FIG. 12 is a top plan view of FIG. 10;
FIG. 13 is a bottom plan view of FIG. 10;
FIG. 14 is a left side view of FIG. 10;
FIG. 15 is a right side view of FIG. 10;
FIG. 16 is a front and right side perspective view of FIG. 10;
FIG. 17 is a rear and left side perspective view of FIG. 10;
and,
FIG. 18 is a perspective view of FIG. 17 showing the plug in an open state.
The broken lines in the drawings illustrate portions of the night light which form no part of the claimed design.

1 Claim, 18 Drawing Sheets



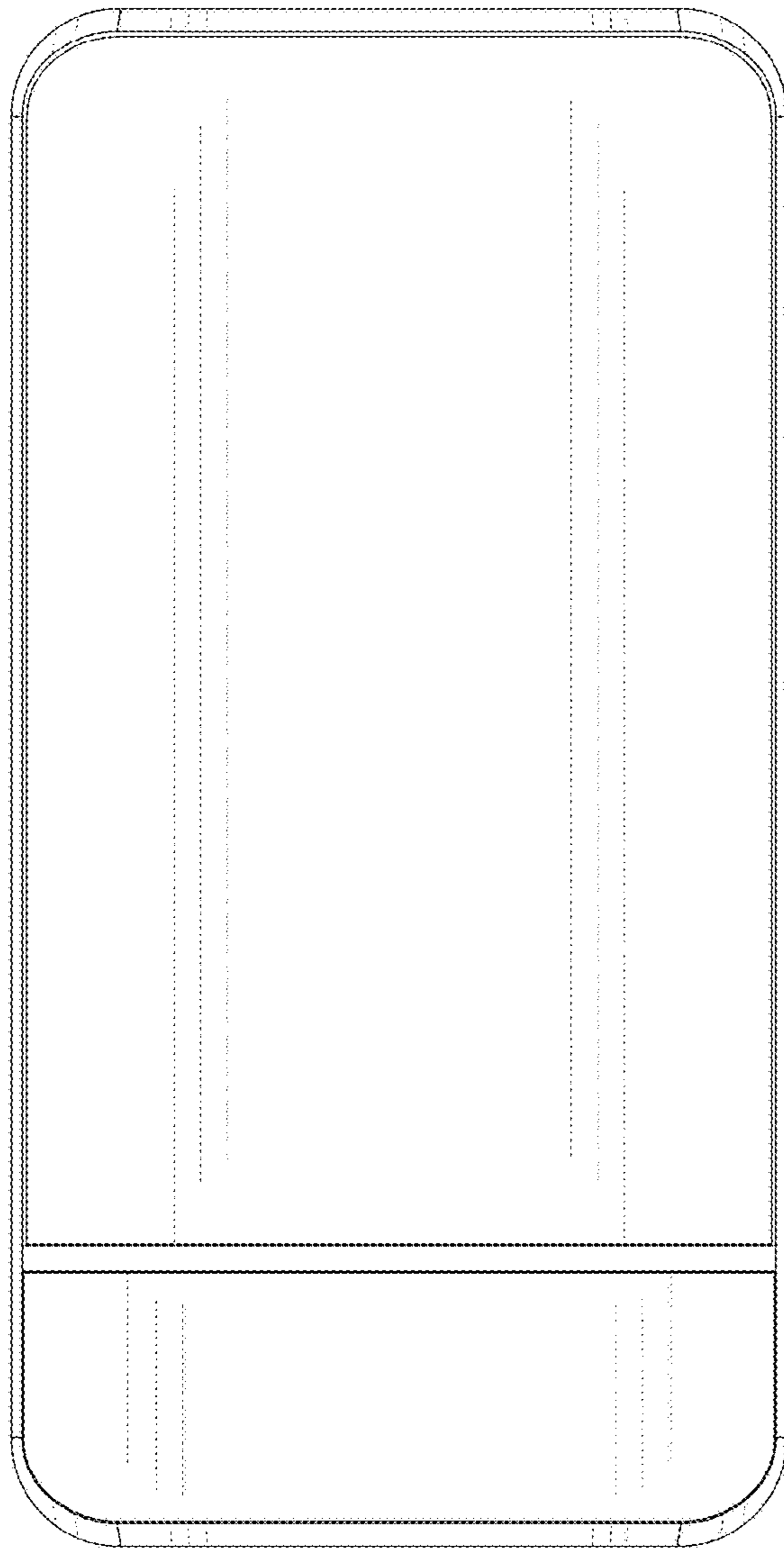


Fig. 1

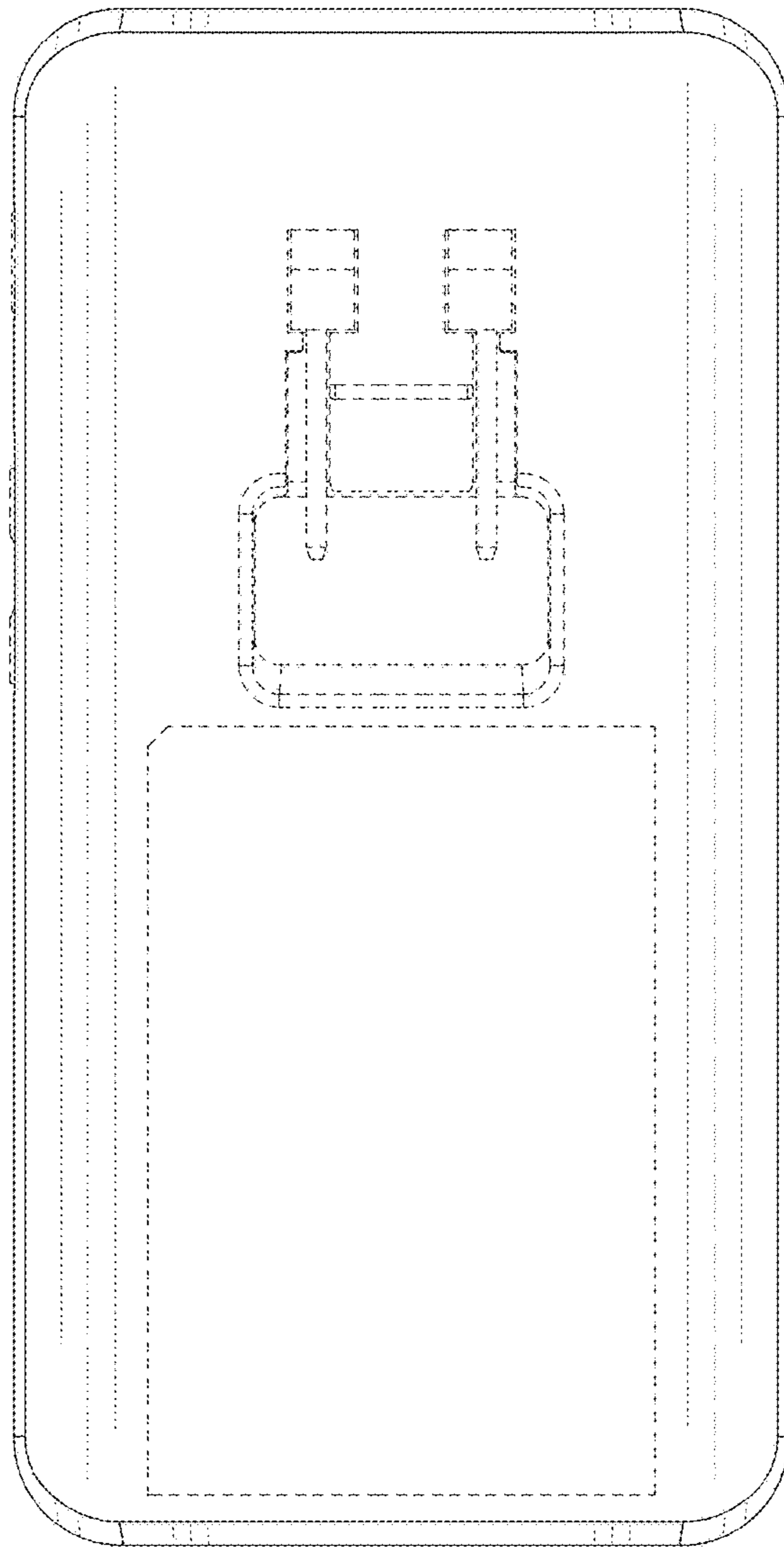


Fig. 2

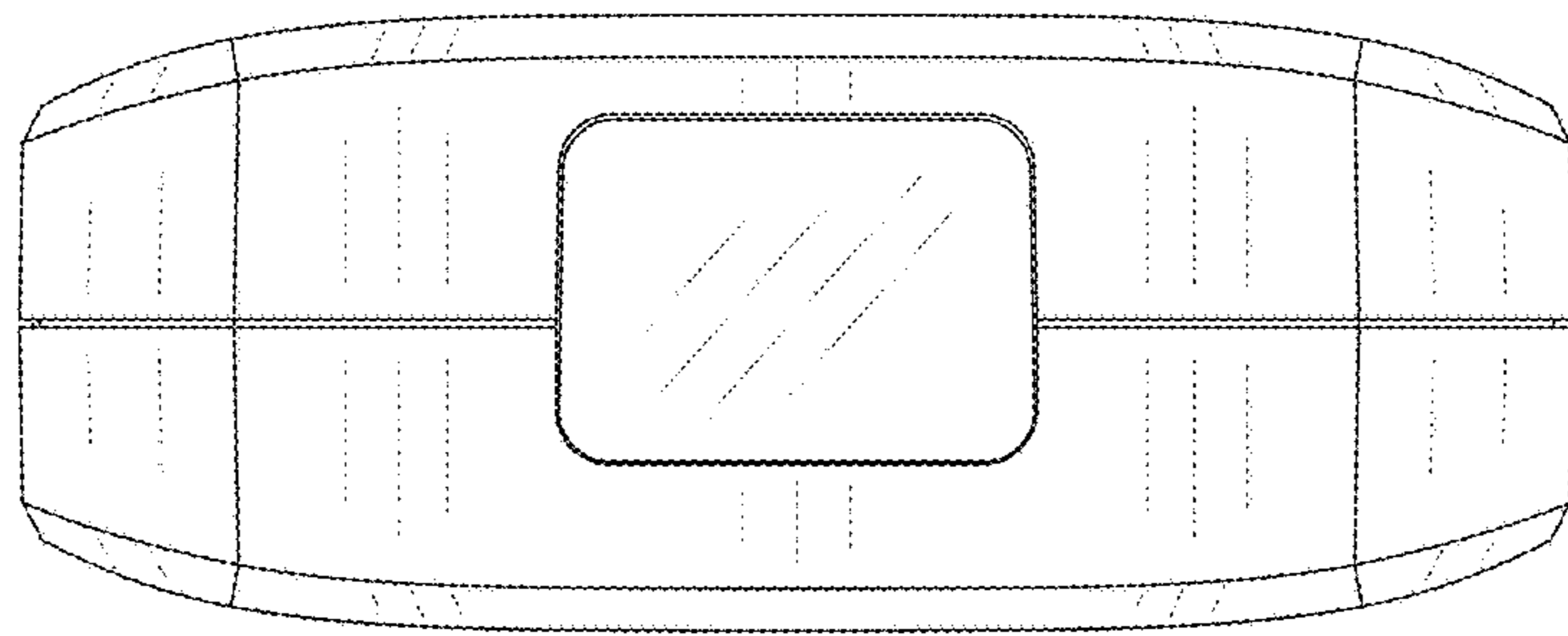


Fig. 3

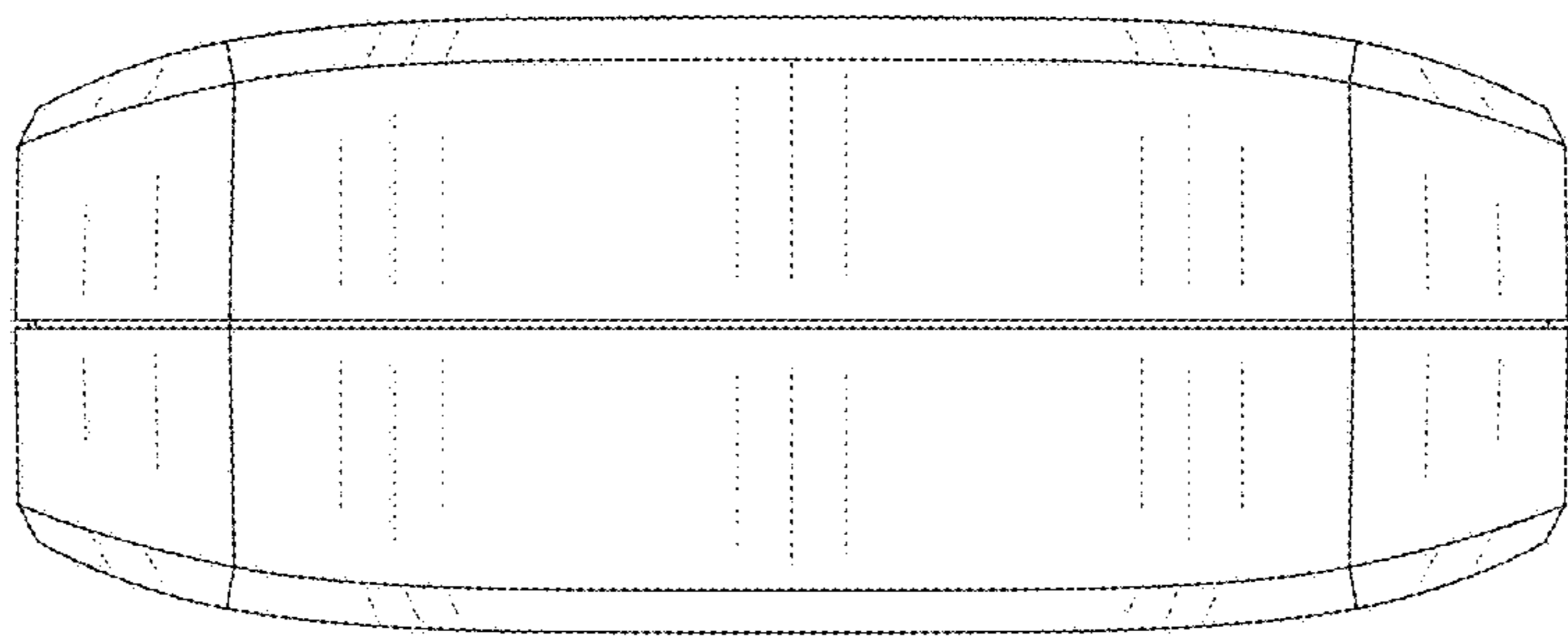


Fig. 4

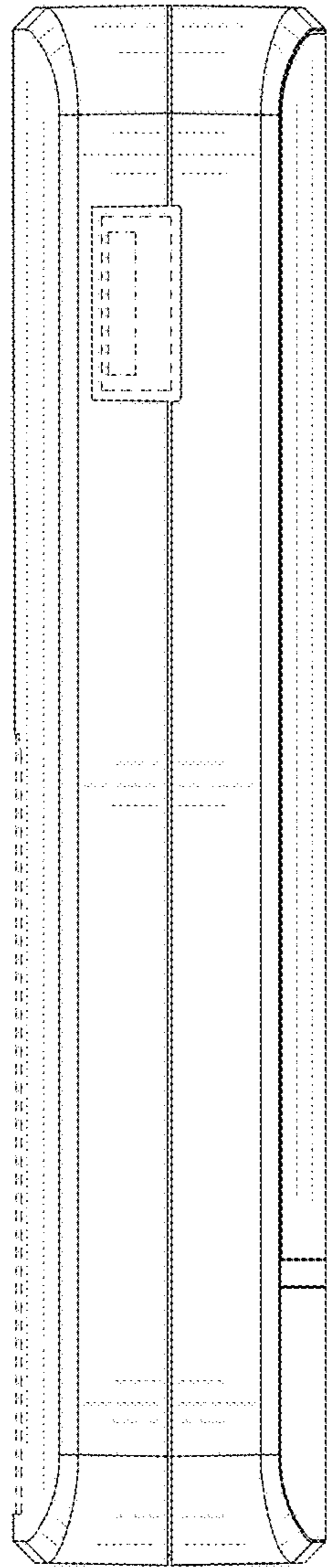


Fig. 5

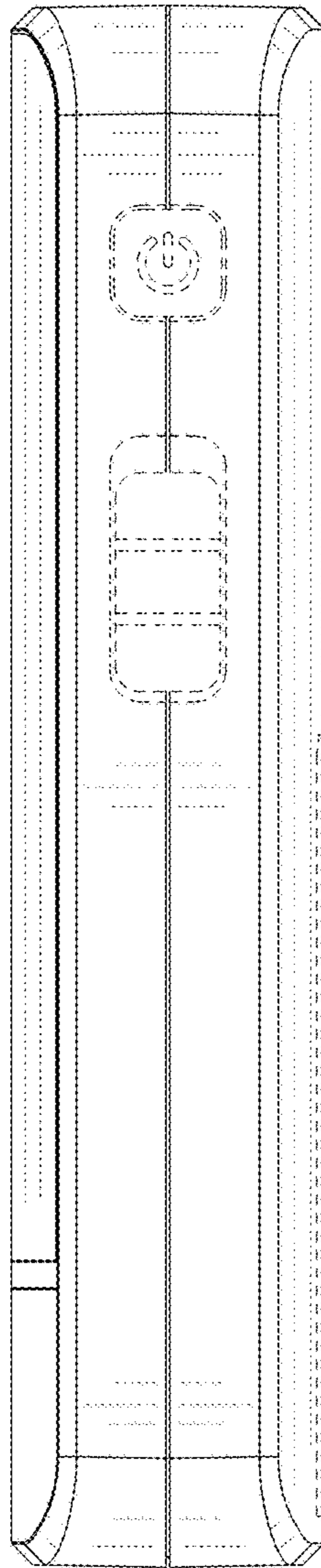


Fig. 6

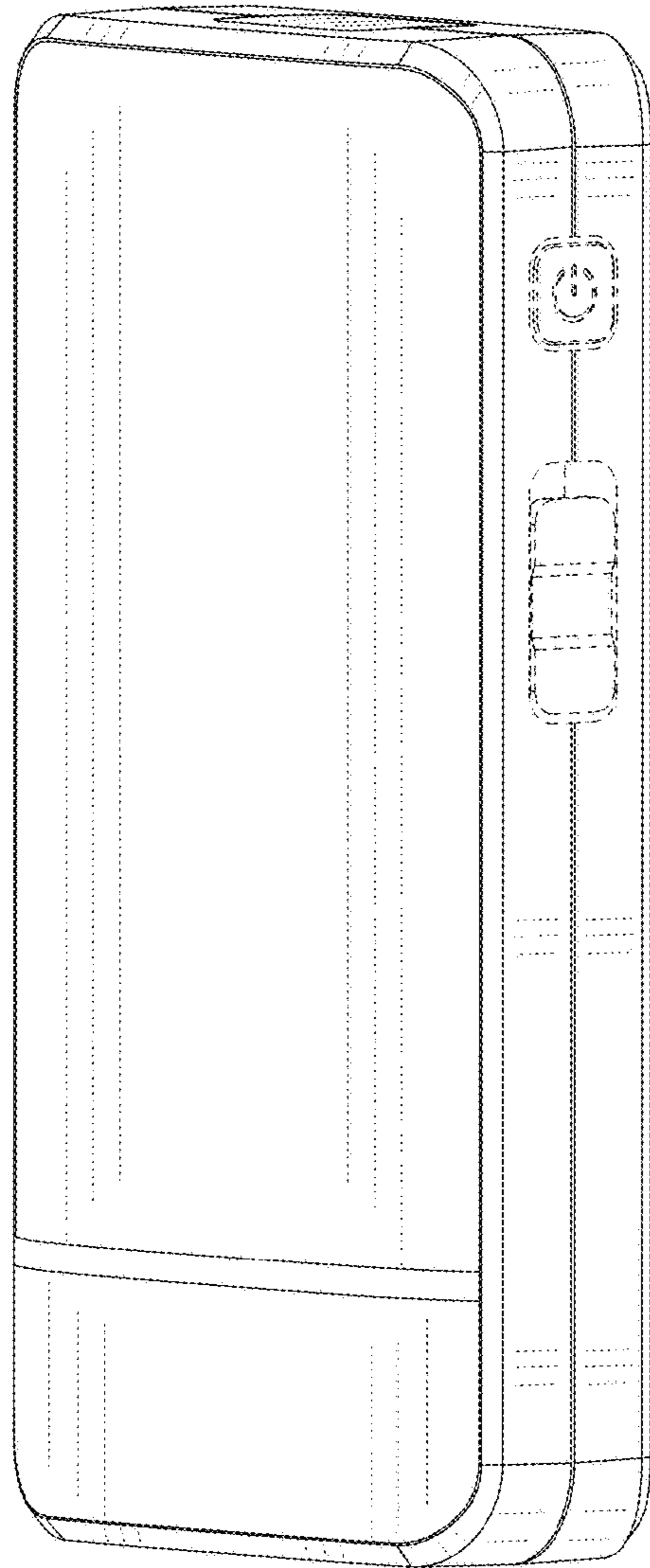


Fig. 7

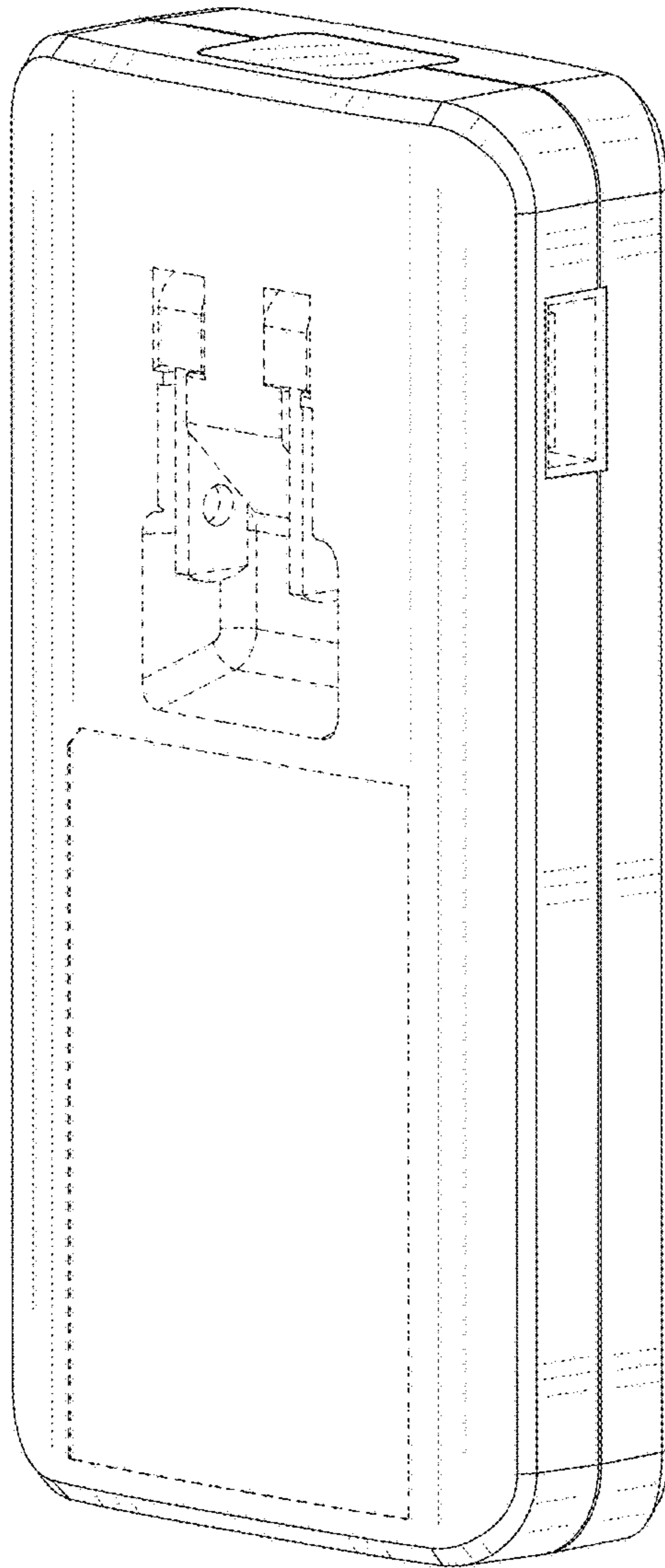


Fig. 8

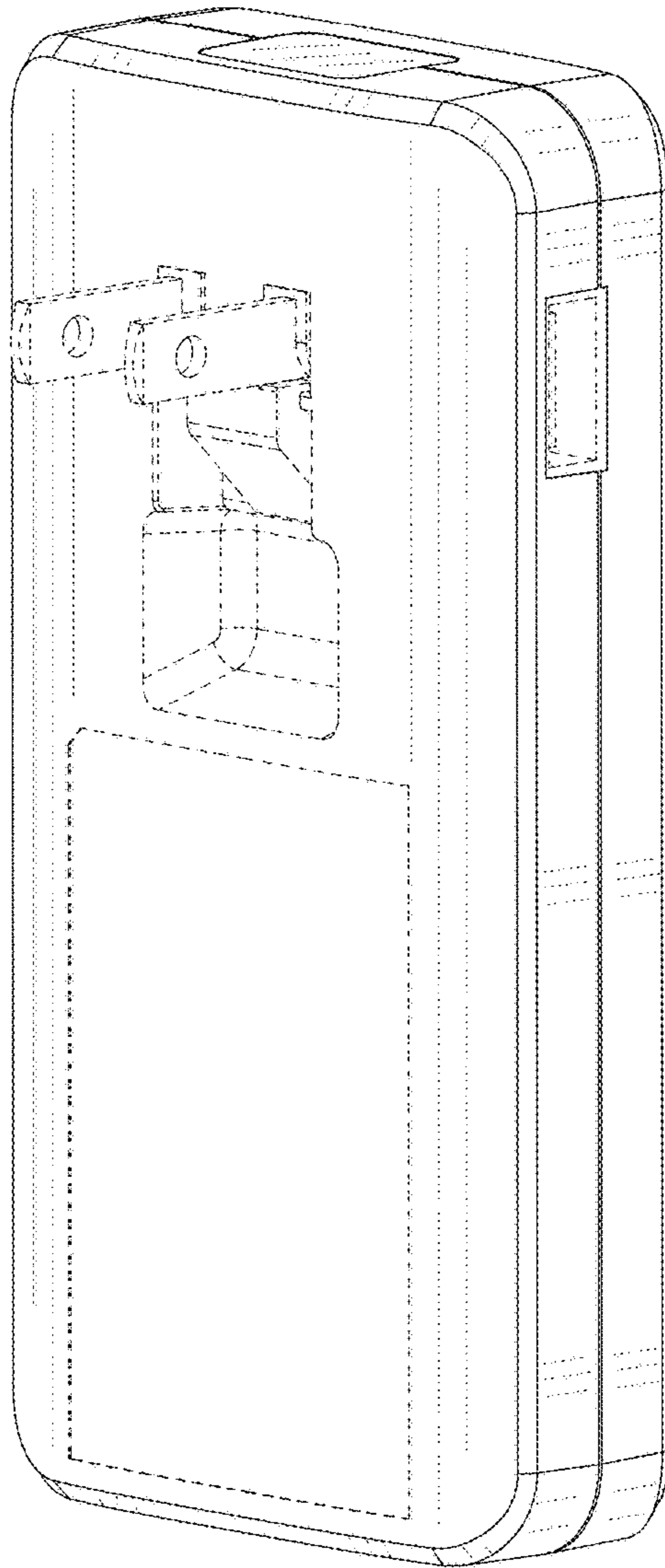


Fig. 9

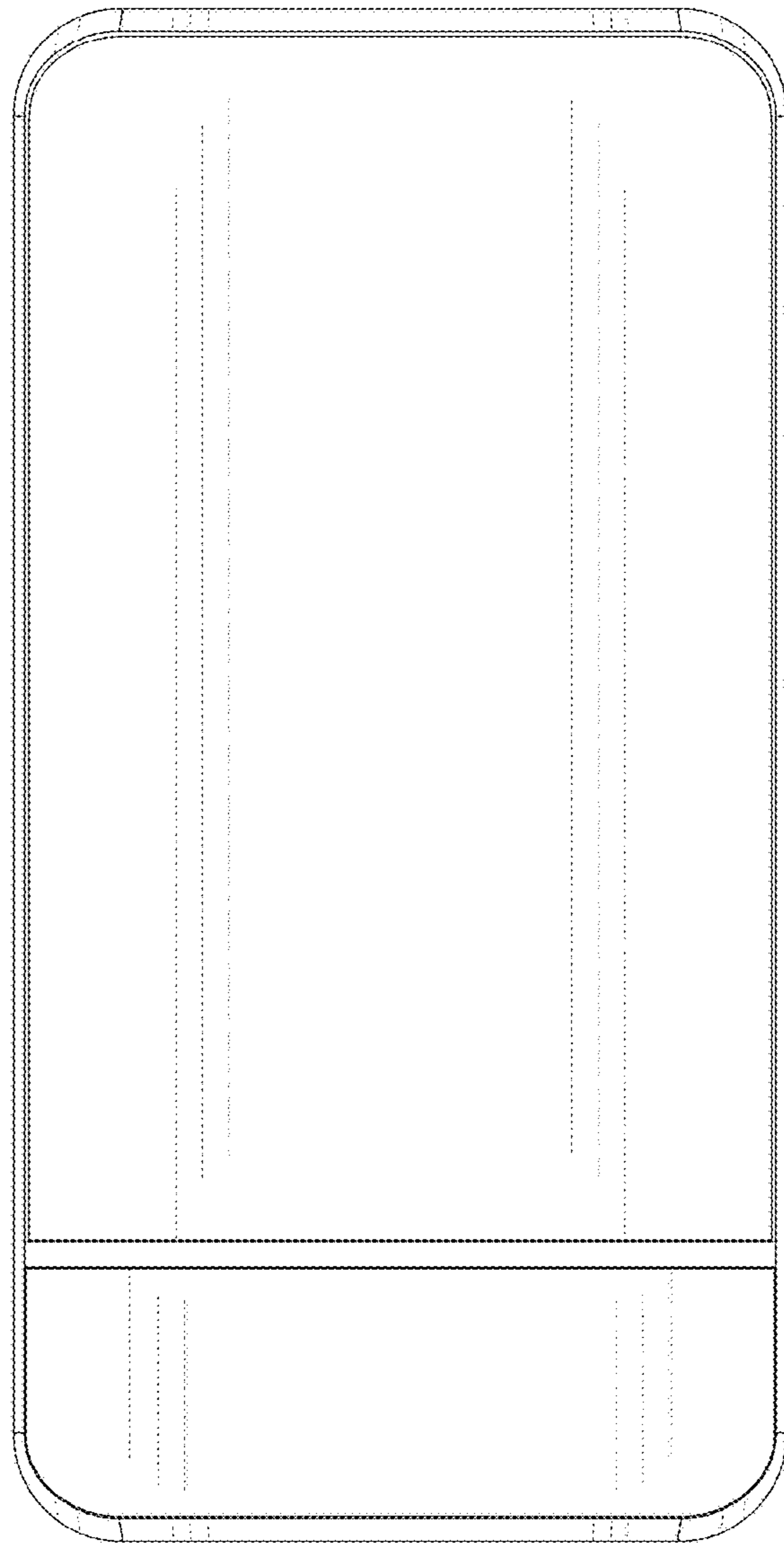


Fig. 10

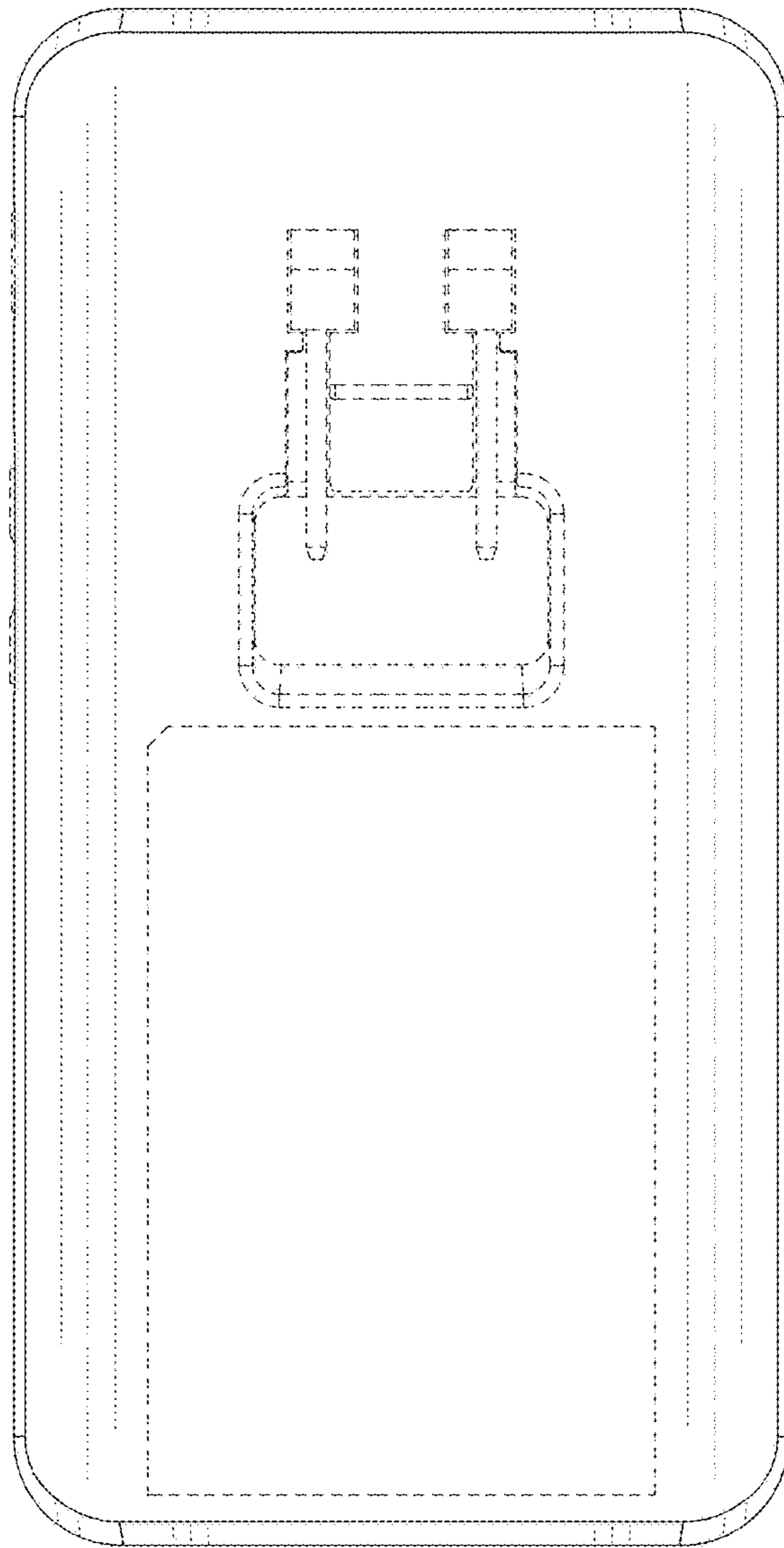


Fig. 11

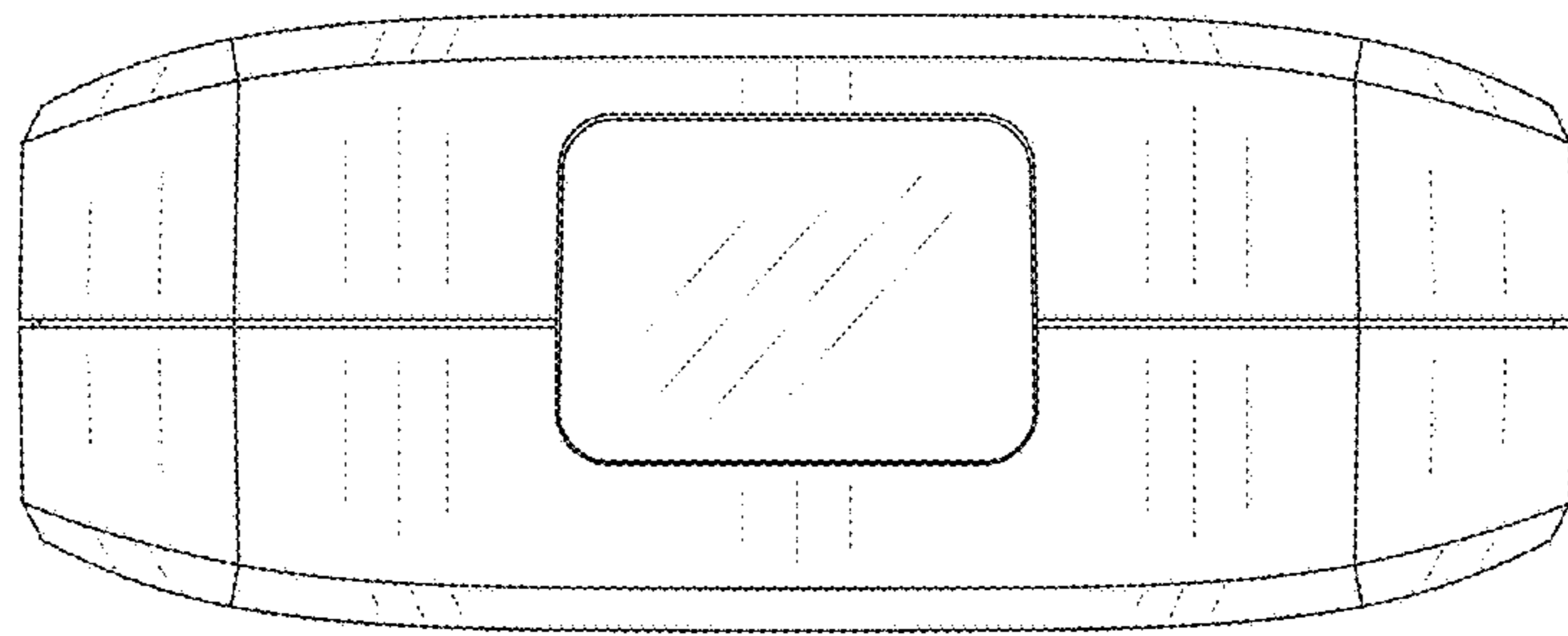


Fig. 12

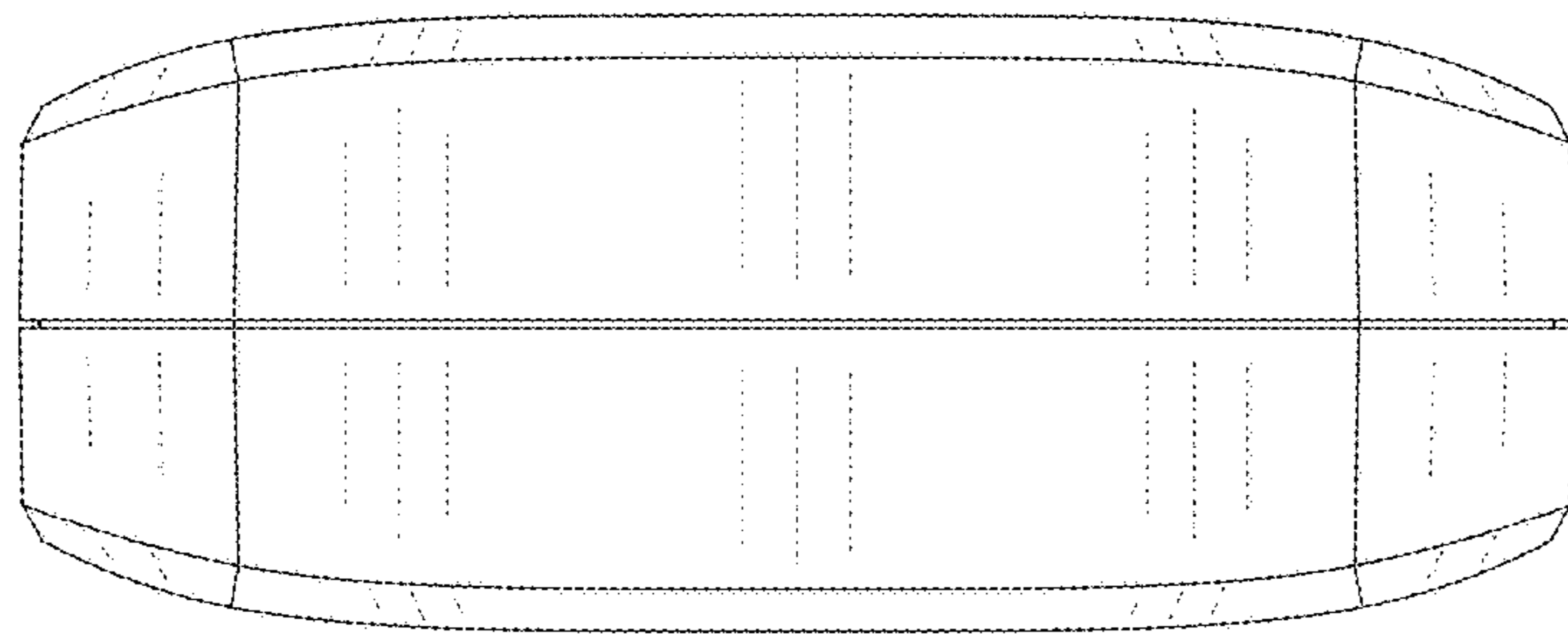


Fig. 13

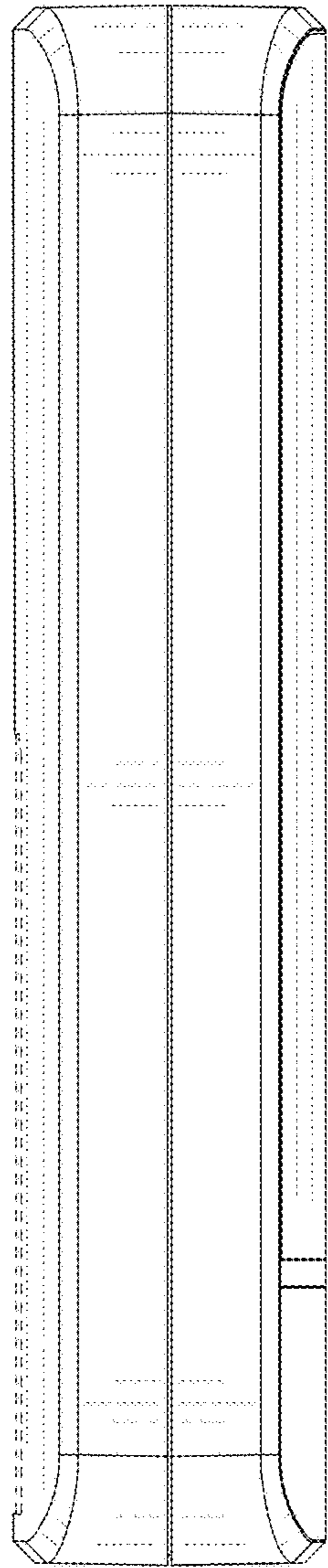


Fig. 14

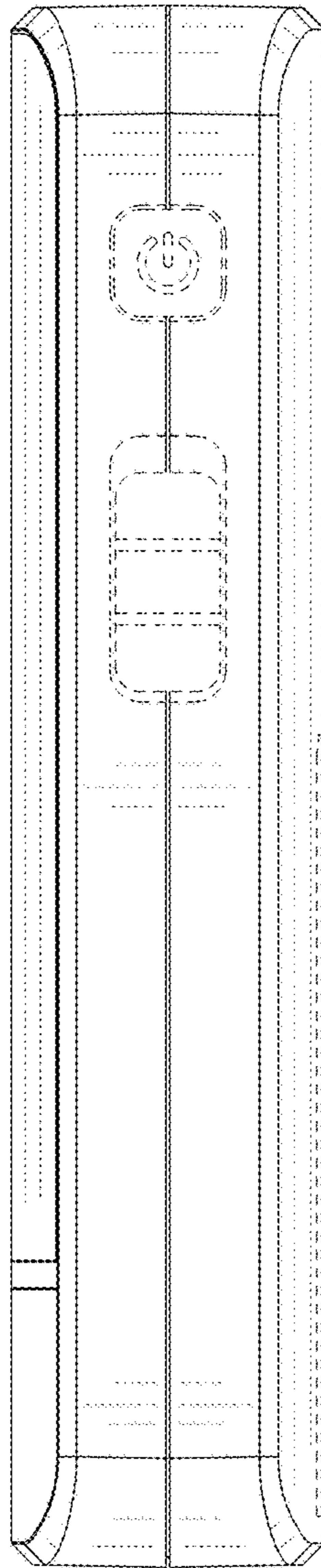


Fig. 15

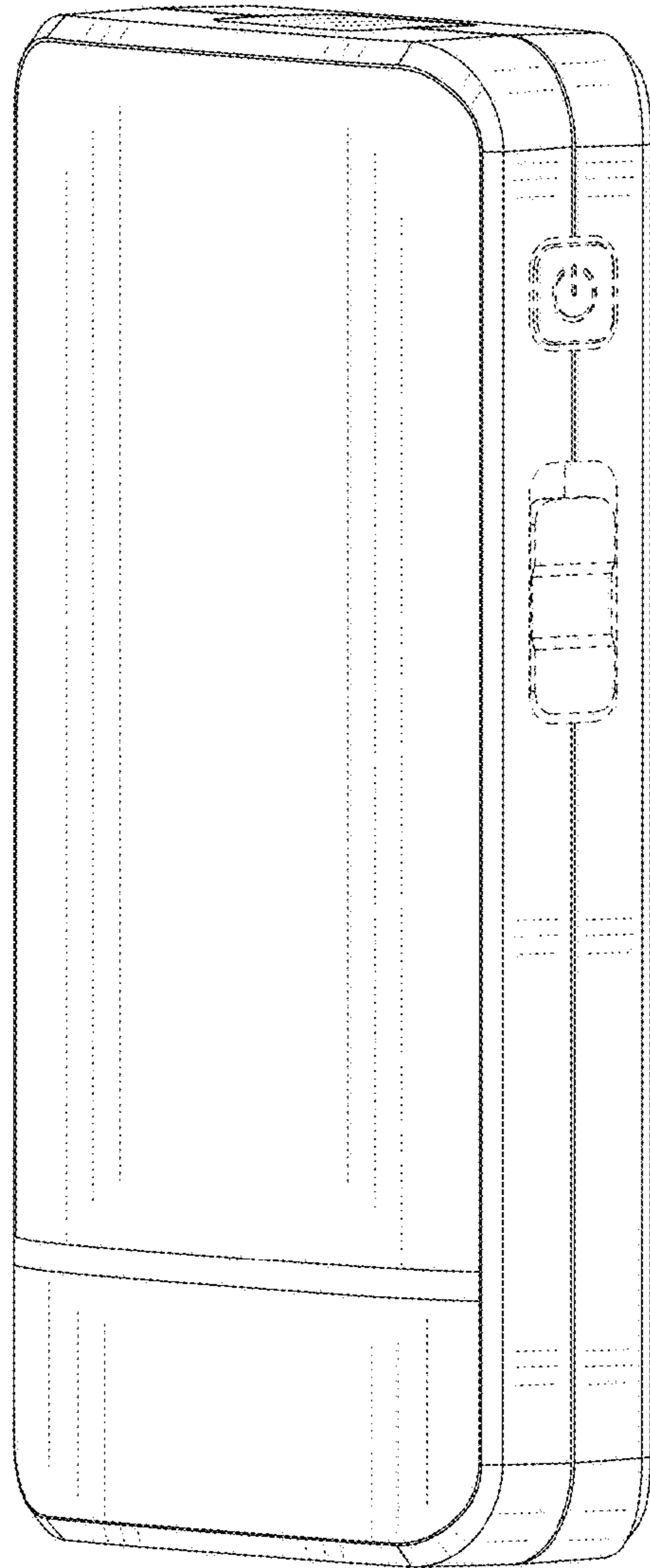


Fig. 16

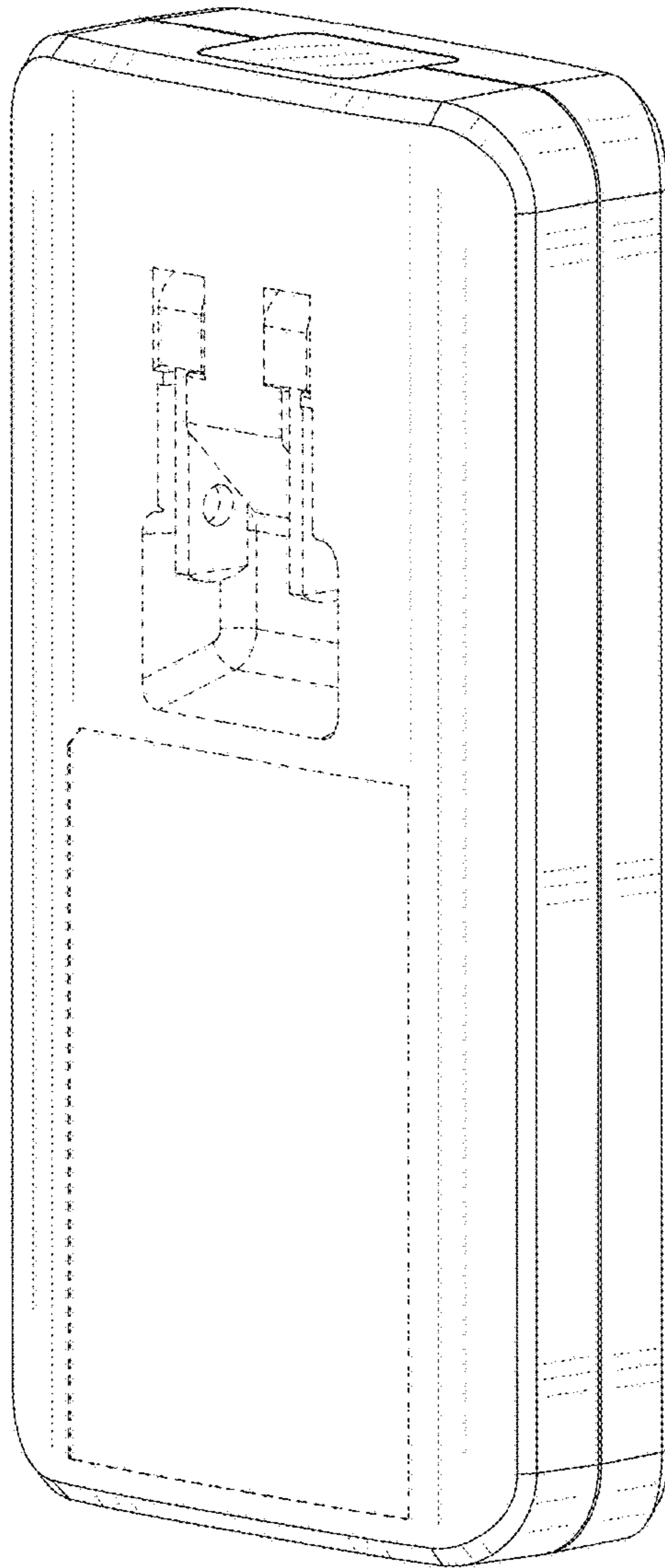


Fig. 17

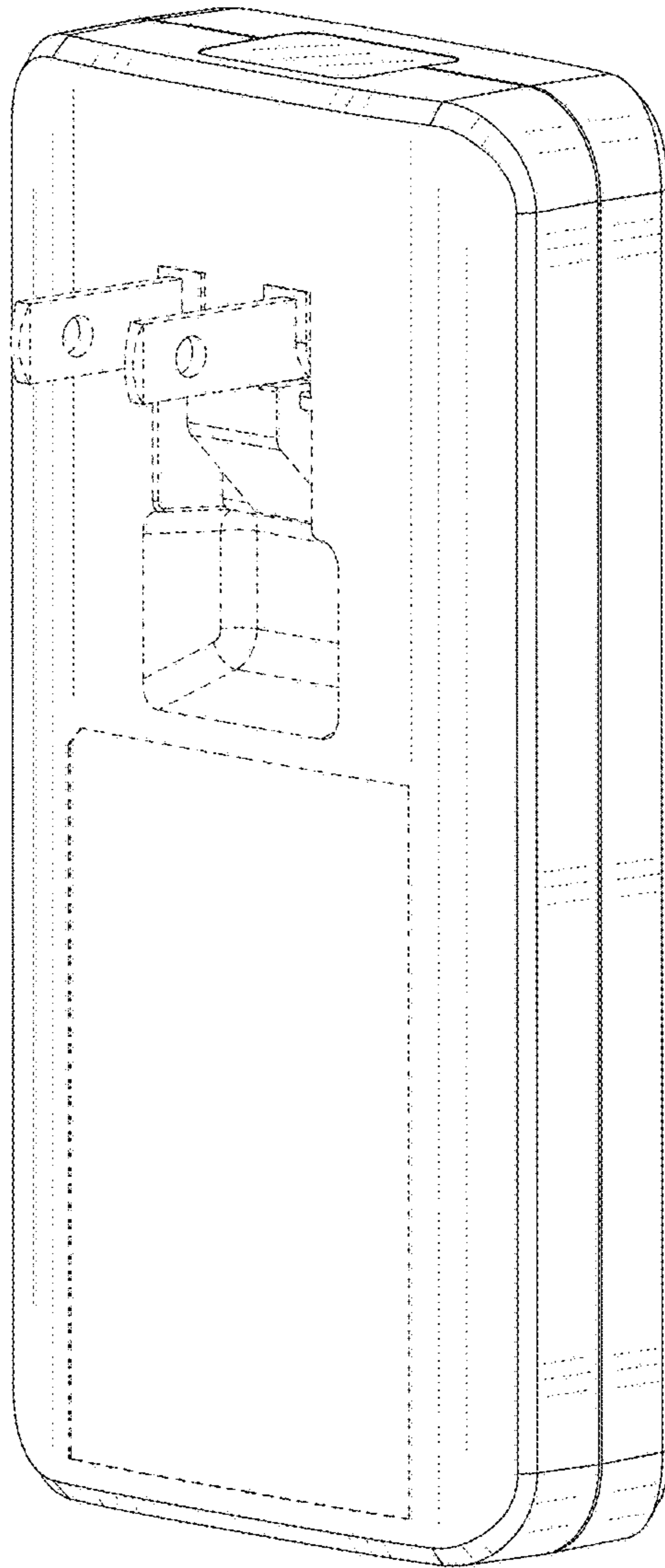


Fig. 18