



US00D864421S

(12) **United States Design Patent** (10) **Patent No.:** **US D864,421 S**
Perusi (45) **Date of Patent:** **** Oct. 22, 2019**

(54) **CONSTRUCTION BRICK**
(71) Applicant: **Massimo Perusi**, Verona (IT)
(72) Inventor: **Massimo Perusi**, Verona (IT)
(**) Term: **15 Years**

D412,646 S * 8/1999 Credle, Jr. D7/625
D779,683 S * 2/2017 Quan Rosales D25/113
D792,522 S * 7/2017 Deutsch D21/500
D833,543 S * 11/2018 Semling D21/499
D833,544 S * 11/2018 Semling D21/499
D835,808 S * 12/2018 Mohamed D25/113
2015/0094412 A1* 4/2015 Garcia Alarcon C04B 26/006
524/435

(21) Appl. No.: **35/505,930**
(22) Filed: **Apr. 16, 2018**

* cited by examiner

Primary Examiner — George D. Kirschbaum
Assistant Examiner — Samantha Q Lawrence

(80) **Hague Agreement Data**

Int. Filing Date: **Apr. 16, 2018**
Int. Reg. No.: **DM/103204**
Int. Reg. Date: **Apr. 16, 2018**
Int. Reg. Pub. Date: **Oct. 26, 2018**

(51) **LOC (12) Cl.** **25-01**
(52) **U.S. Cl.**
USPC **D25/113**

(57) **CLAIM**

The ornamental design for a construction brick, as shown and described.

(58) **Field of Classification Search**
USPC D25/1, 3, 4, 12, 15, 16, 17, 18, 22, 23,
D25/26, 29, 30, 32, 33, 56, 61, 113, 114,
D25/115, 116, 117, 118, 119; D21/506,
D21/509, 511, 834, 837, 838; 52/79.1;
D6/663, 699, 671
CPC . C04B 14/361; C04B 26/006; C04B 24/2676;
C04B 2111/27; C04B 2111/28; C04B
26/02; B28B 1/14; B28B 3/00; B29C
67/243; E04G 21/1808; E04G 21/1816;
G01C 15/10
See application file for complete search history.

DESCRIPTION

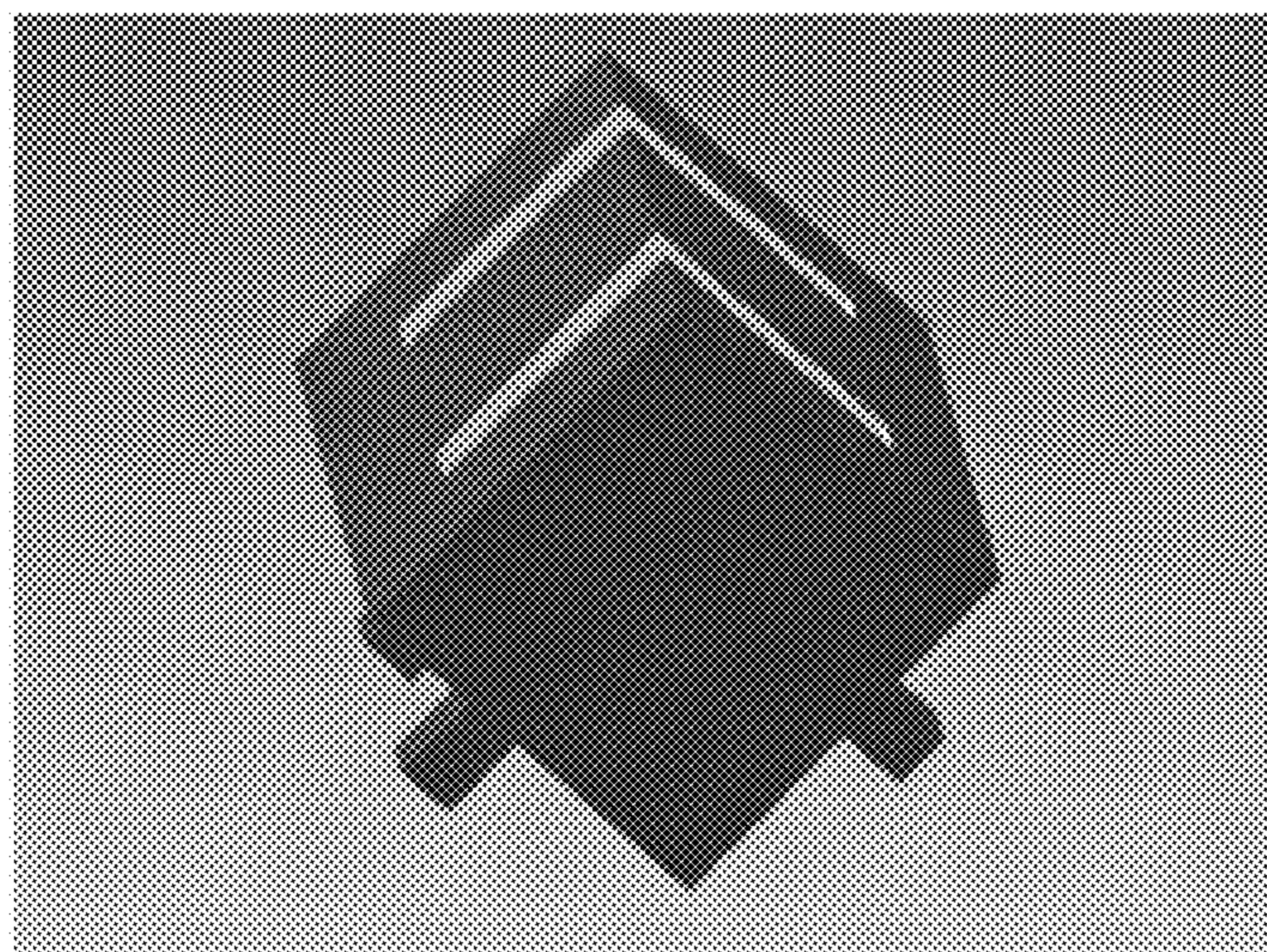
The patent or application file contains at least one drawing executed in color. Copies of this patent or patent application publication with color drawing(s) will be provided by the Office upon request and payment of the necessary fee.

1. Construction brick
Figure 1.1 is a perspective view of a construction brick;
Figure 1.2 is a bottom perspective view thereof;
Figure 1.3 is a top perspective view thereof;
Figure 1.4 is a front view thereof; and
Figure 1.5 is a back view thereof;
Figure 1.6 is a top view thereof;
Figure 1.7 is a bottom view thereof;
Figure 1.8 is a right side view thereof; and
Figure 1.9 is a left side view thereof.

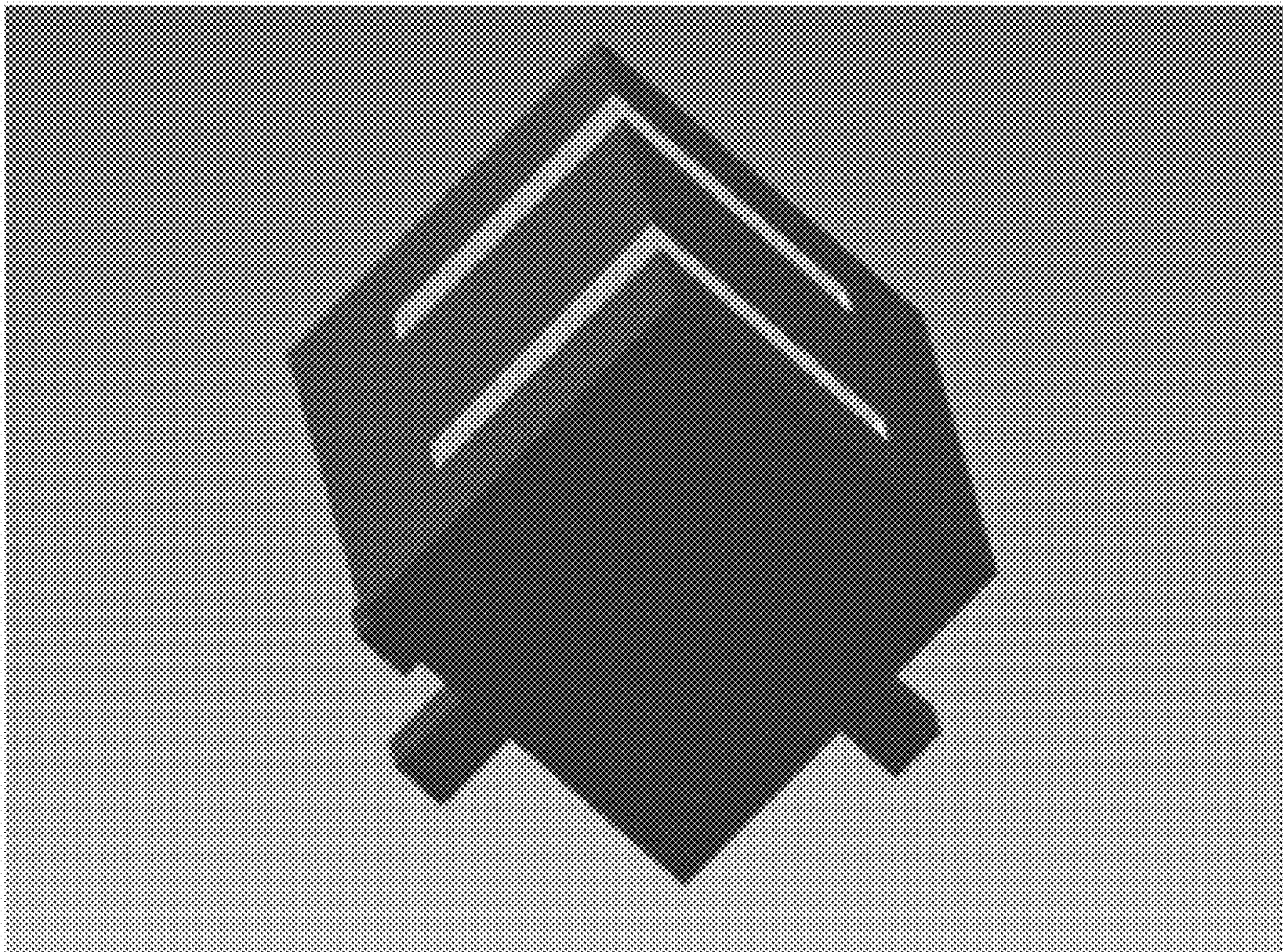
(56) **References Cited**
U.S. PATENT DOCUMENTS

D214,532 S * 6/1969 Fenton D25/118
5,129,150 A * 7/1992 Sorensen E04G 21/1808
33/408

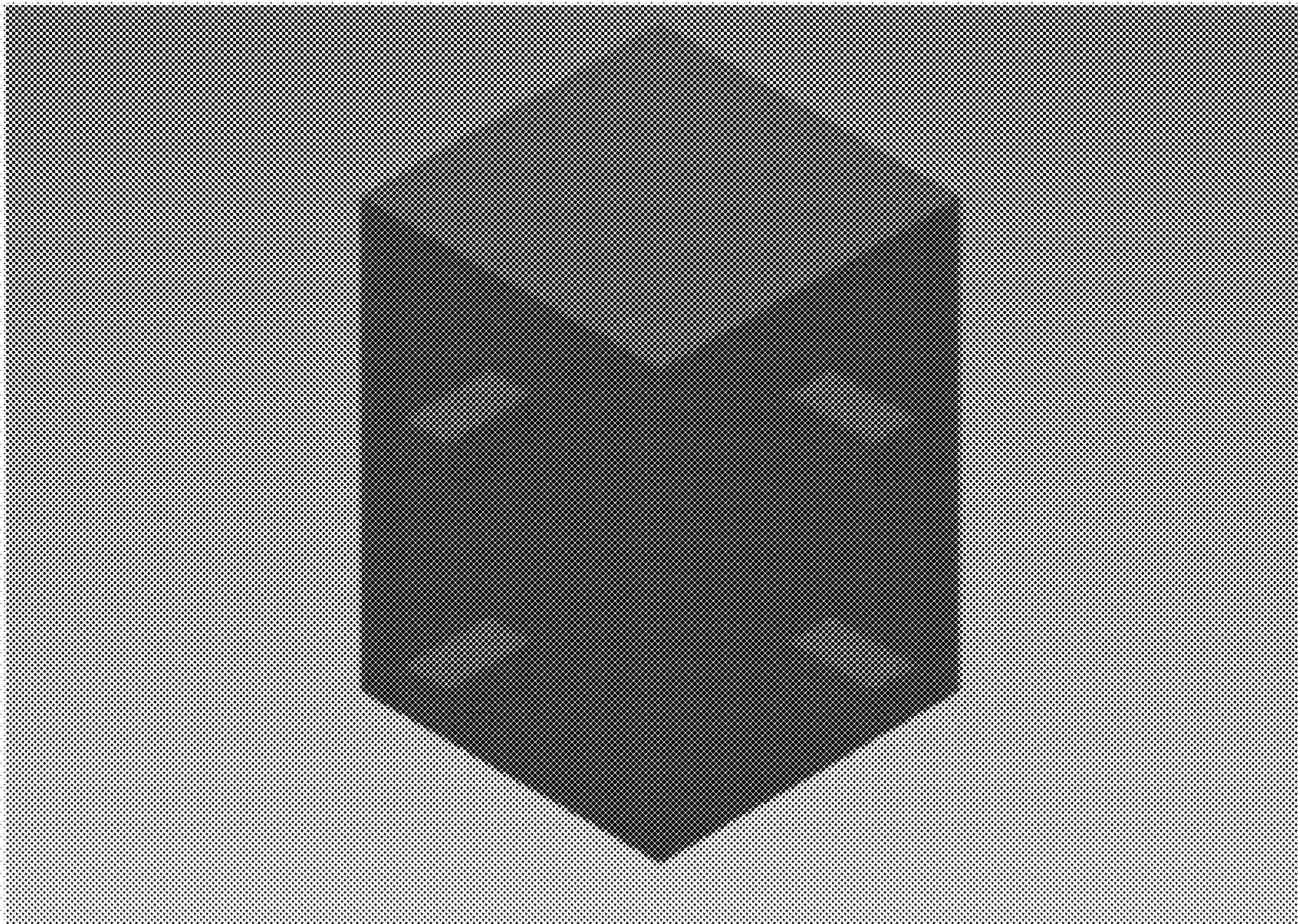
1 Claim, 9 Drawing Sheets
(9 of 9 Drawing Sheet(s) Filed in Color)



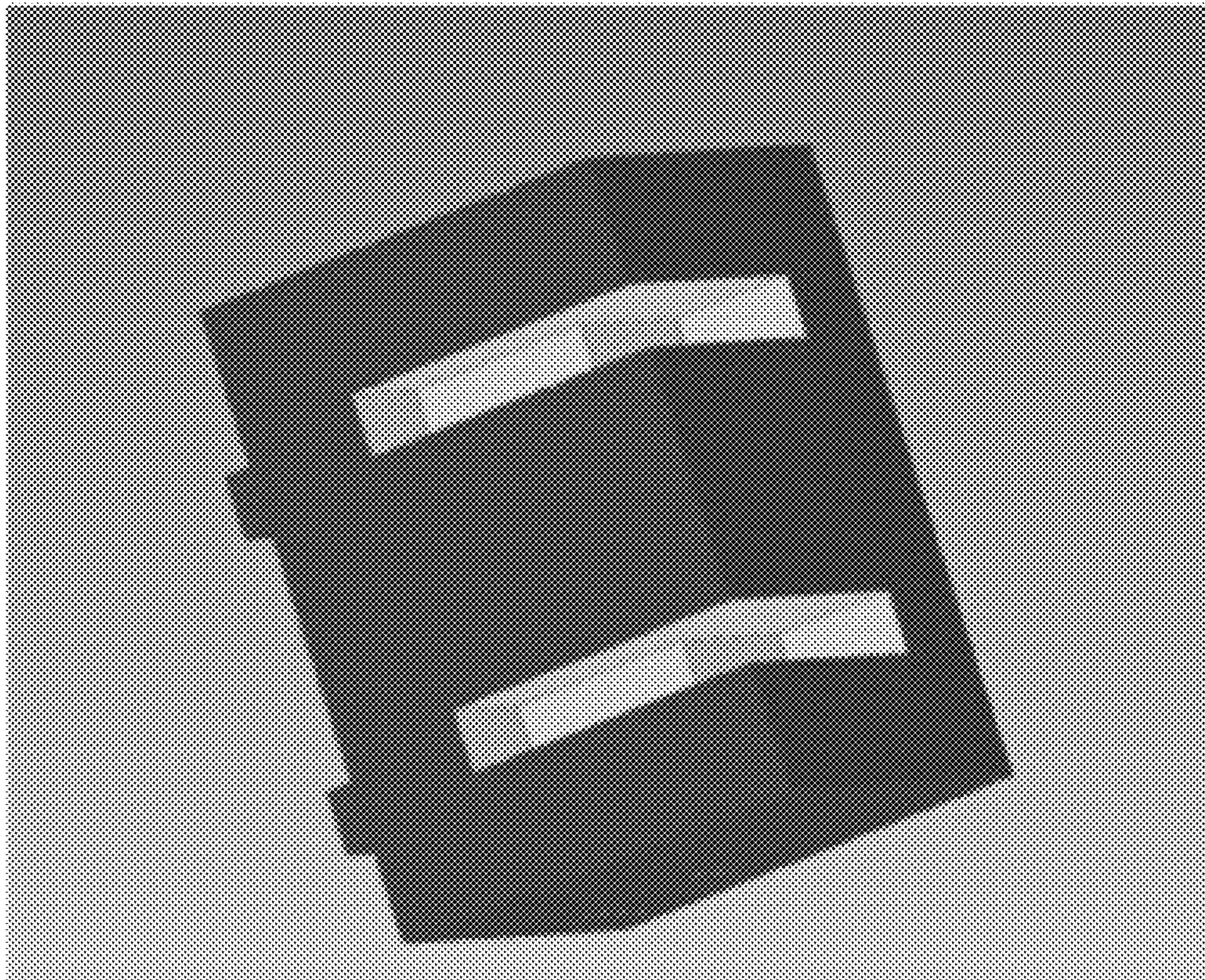
1.1



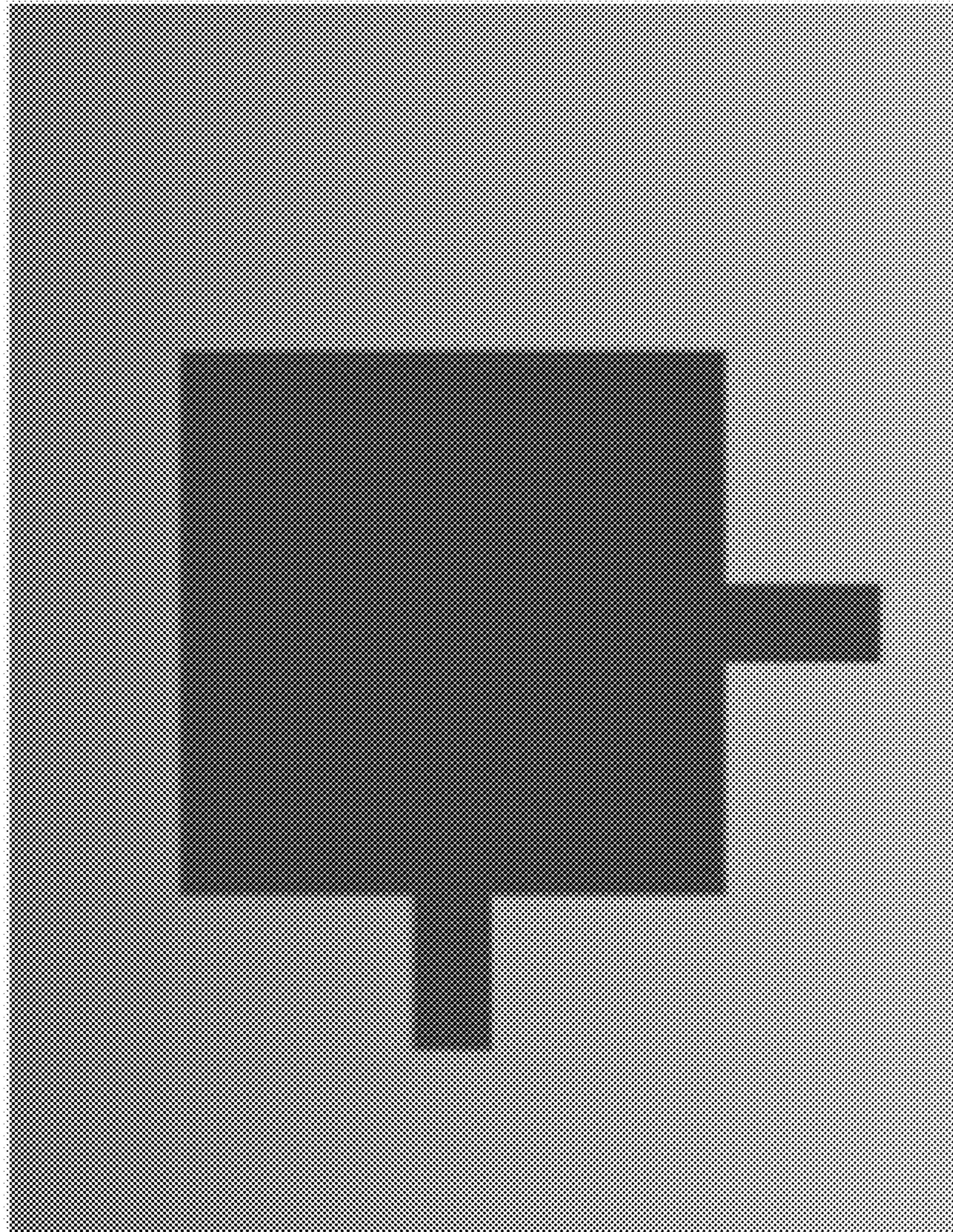
1.2



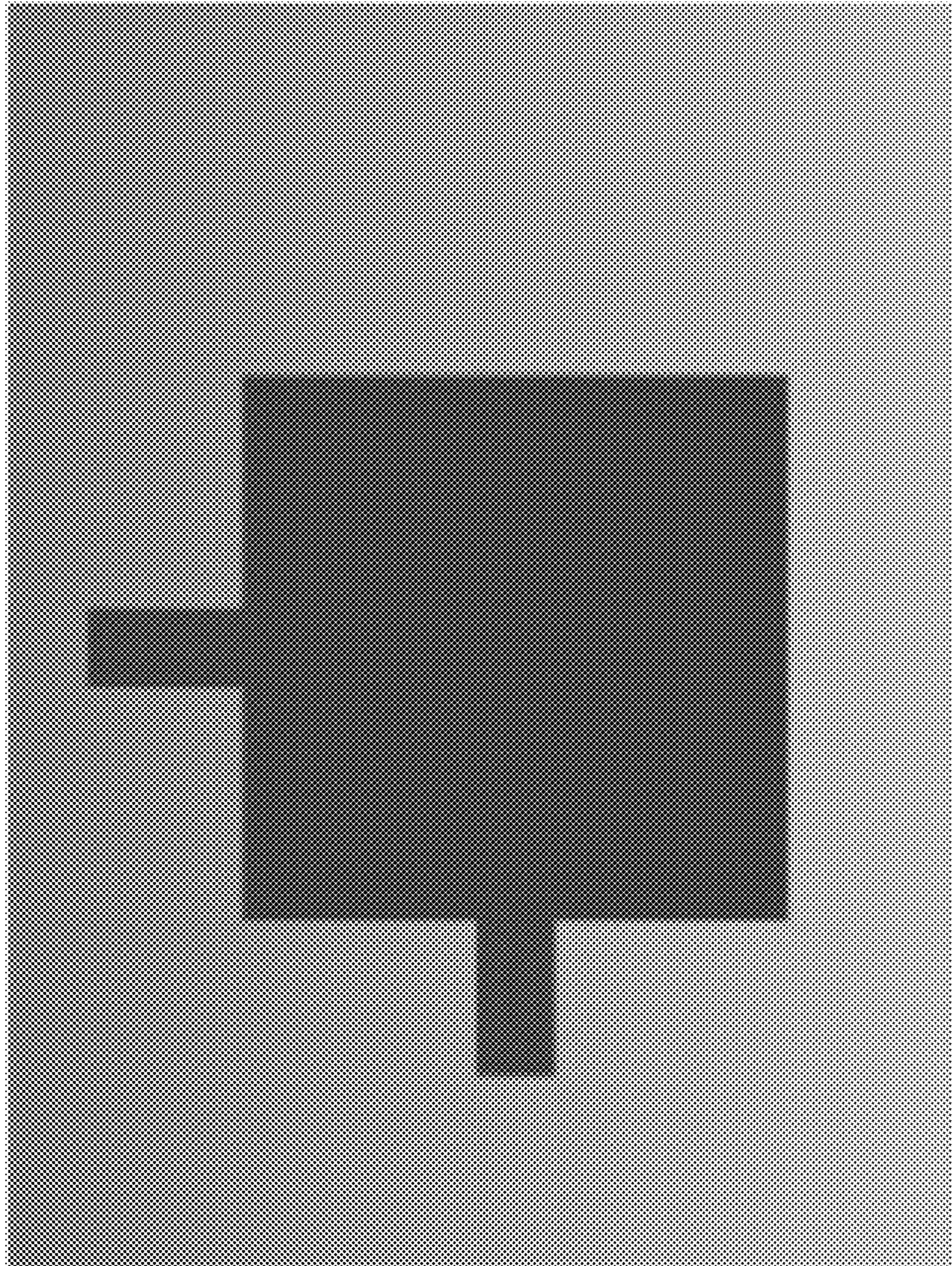
1.3



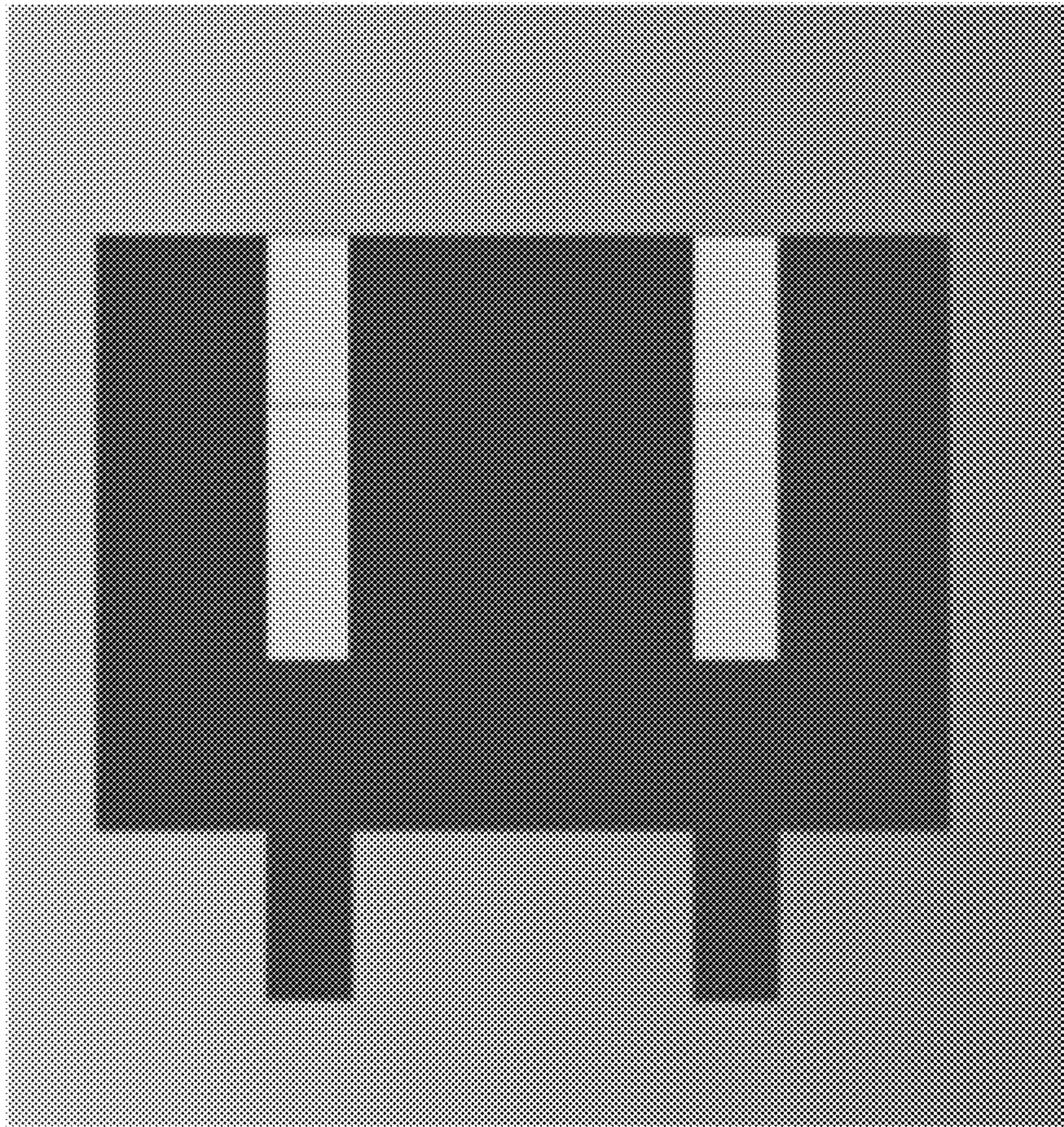
1.4



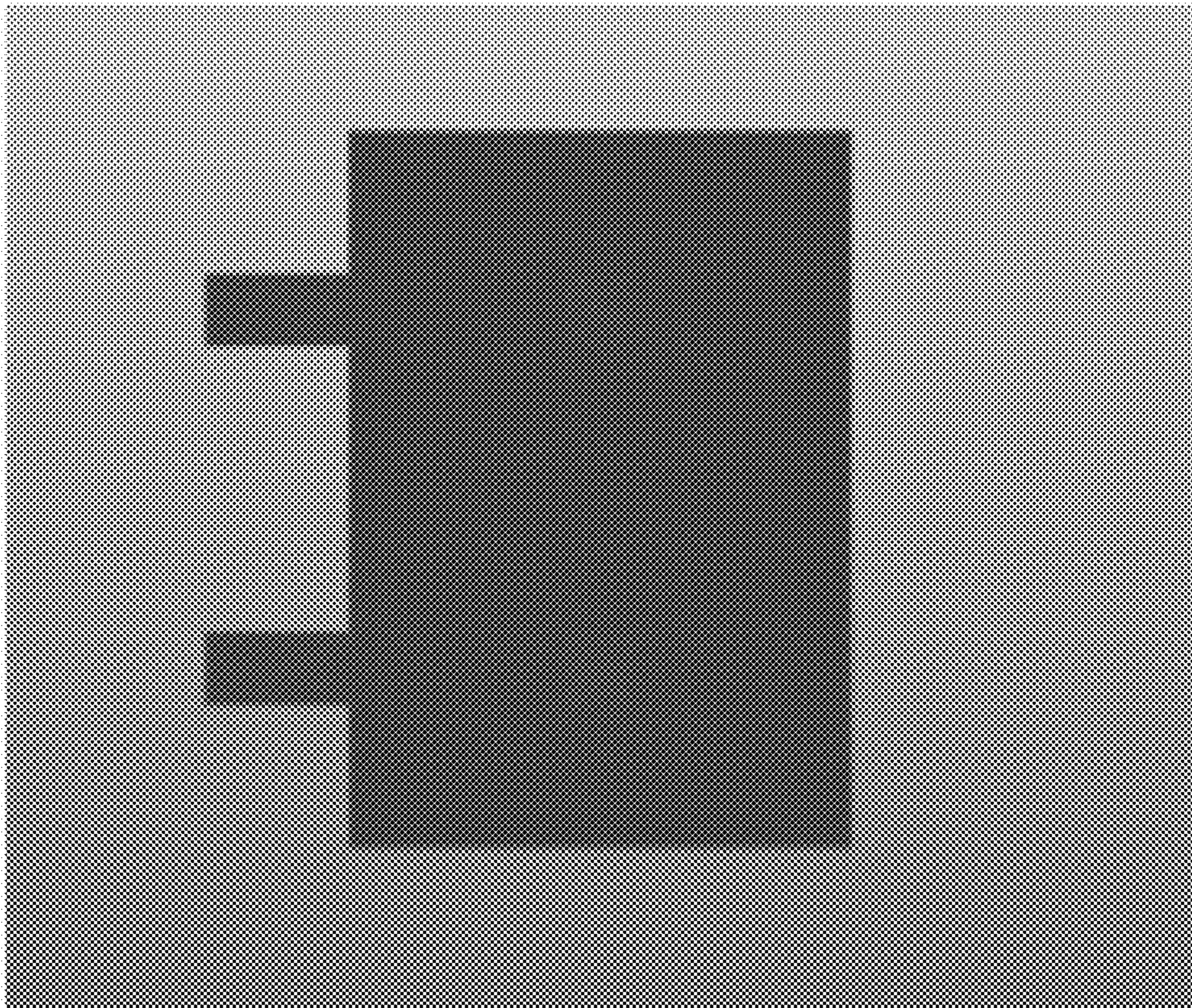
1.5



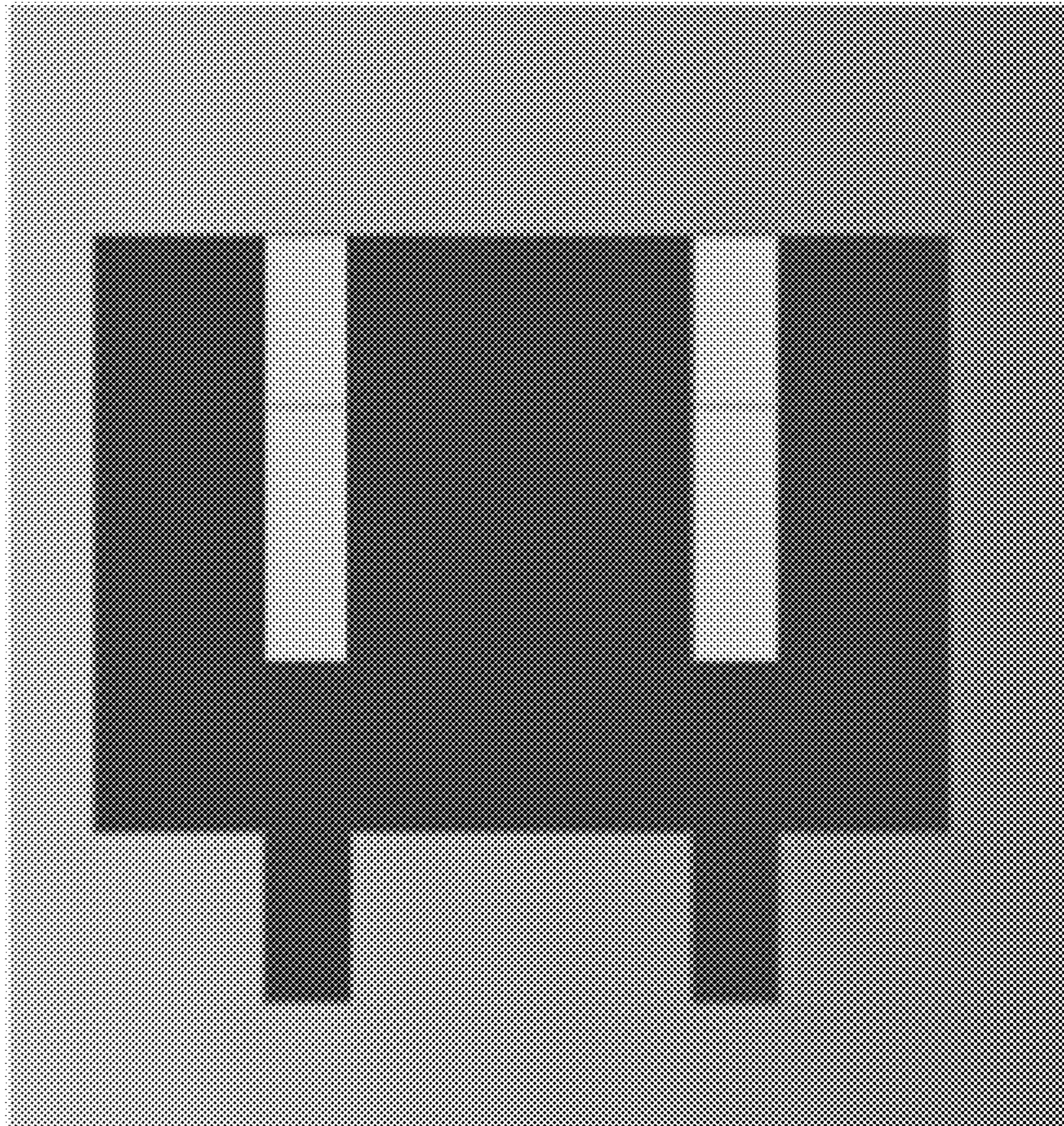
1.6



1.7



1.8



1.9

