



US00D864420S

(12) **United States Design Patent**  
**von Langsdorff**

(10) **Patent No.:** **US D864,420 S**

(45) **Date of Patent:** **\*\* Oct. 22, 2019**

(54) **PAVING STONE**

(71) Applicant: **F. von Langsdorff Licensing Limited**,  
Caledon (CA)

(72) Inventor: **Harald von Langsdorff**, Caledon (CA)

(73) Assignee: **F. von Langsdorff Licensing Limited**,  
Caledon (CA)

(\*\*) Term: **15 Years**

(21) Appl. No.: **29/572,840**

(22) Filed: **Jul. 31, 2016**

(51) **LOC (12) Cl.** ..... **25-01**

(52) **U.S. Cl.**  
USPC ..... **D25/113**

(58) **Field of Classification Search**

USPC ..... D25/102, 113, 115, 118; D21/484  
CPC ... E01C 5/00; E01C 5/06; E01C 5/006; E01C  
2201/02; E01C 9/004; E01C 13/04; E04F  
15/02

See application file for complete search history.

(56) **References Cited**

**U.S. PATENT DOCUMENTS**

D99,590 S \* 5/1936 Torongo ..... D1/100  
3,295,281 A \* 1/1967 Dixon ..... E04B 2/46  
52/442

4,834,575 A 5/1989 Barth et al.

(Continued)

**FOREIGN PATENT DOCUMENTS**

WO 03/023145 A1 3/2003  
WO 2006080042 A1 8/2006

**OTHER PUBLICATIONS**

Enchanting Permeable Pavers for Driveways Pave #18010—  
Garden Decor House (on-line), posted Jul. 29, 2018. Retrieved from  
Internet Oct. 31, 2018, URL: <http://kurjagardenhouse.com/18010/>

enchanting-permeable-pavers-for-driveways-paver-driveway-expert-  
company/ (1 page) (Year: 2018).\*

(Continued)

*Primary Examiner* — Kevin K Rudzinski

*Assistant Examiner* — Kimberly Barnes

(74) *Attorney, Agent, or Firm* — Santosh K. Chari

(57) **CLAIM**

The ornamental design for a paving stone, substantially as  
shown and described.

**DESCRIPTION**

FIG. 1 is a top view of a paving stone, showing my design,  
according to a first embodiment of the design.

FIG. 2 is a bottom view of the paving stone shown in FIG.  
1.

FIG. 3 is a front view of the paving stone shown in FIG. 1.

FIG. 4 is a rear view of the paving stone shown in FIG. 1.

FIG. 5 is a right side view of the paving stone shown in FIG.  
1.

FIG. 6 is a left side of the paving stone shown in FIG. 1.

FIG. 7 is a front, right perspective view of the paving stone  
shown in FIG. 1.

FIG. 8 is a top view of the paving stone according to a  
second embodiment of the design.

FIG. 9 is a bottom view of the paving stone shown in FIG.  
8.

FIG. 10 is a front view of the paving stone shown in FIG. 8.

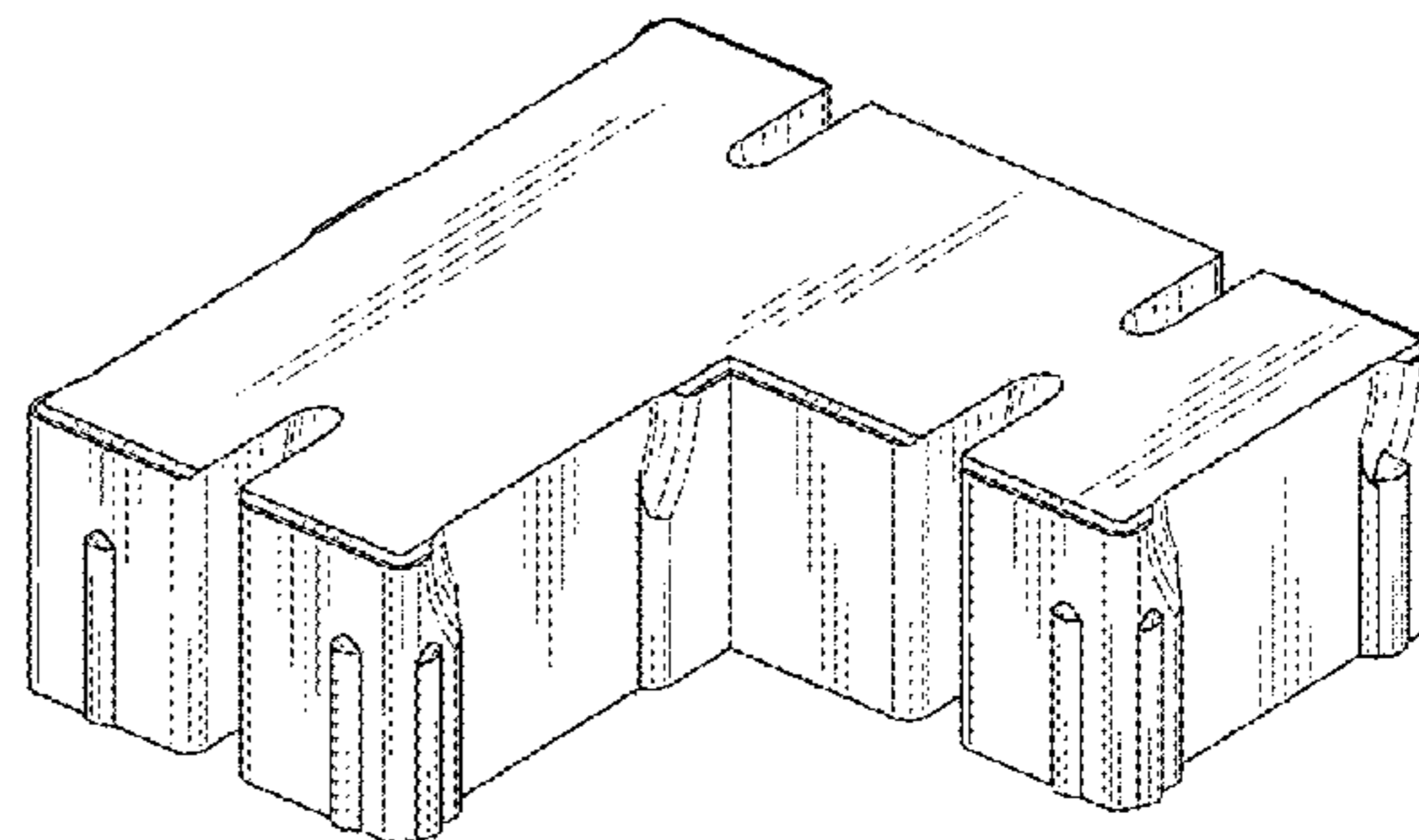
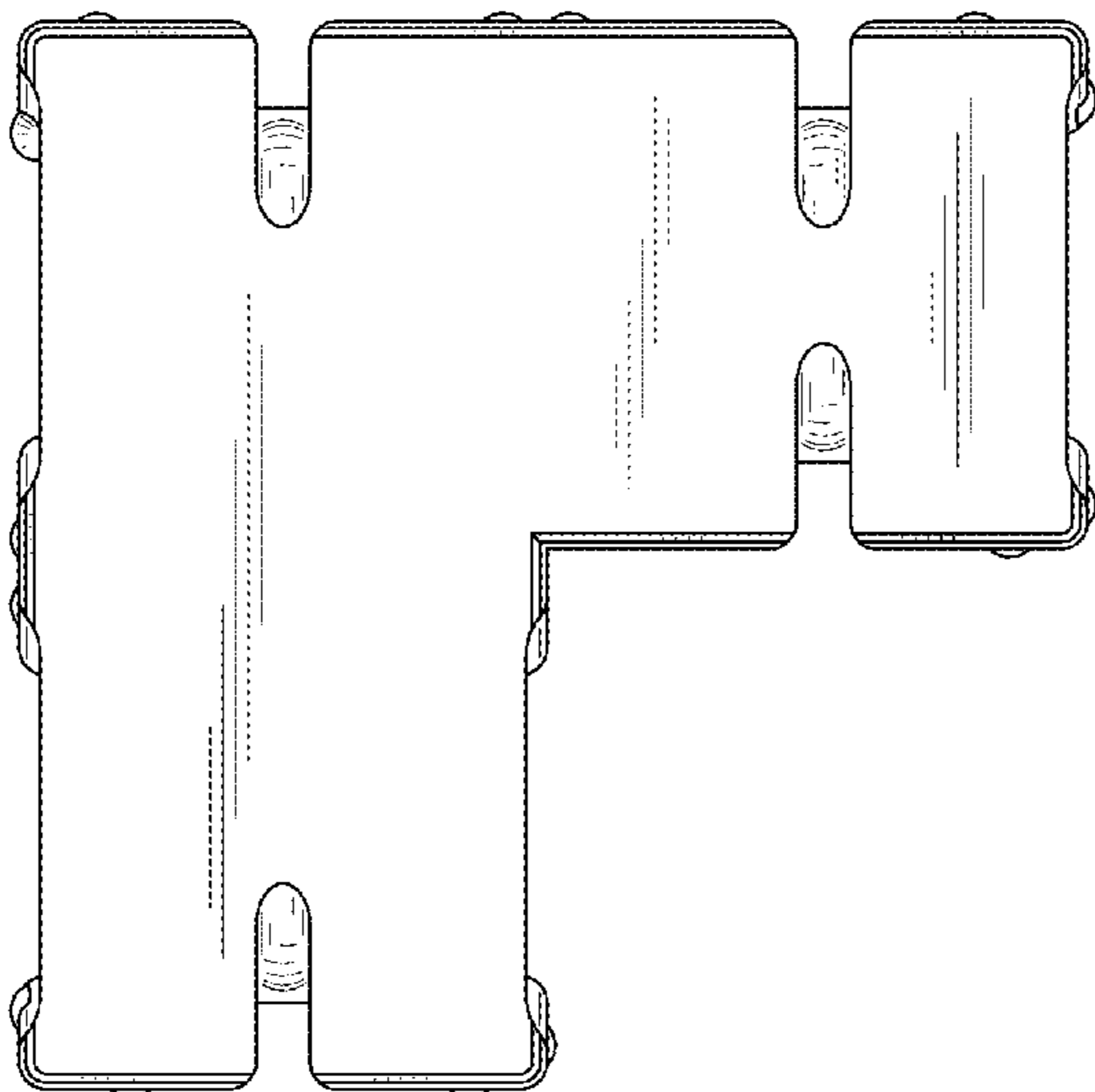
FIG. 11 is a rear view of the paving stone shown in FIG. 8.

FIG. 12 is a right side view of the paving stone shown in  
FIG. 8.

FIG. 13 is left side of the paving stone shown in FIG. 8; and,

FIG. 14 is a front, right perspective view of the paving stone  
shown in FIG. 8.

**1 Claim, 6 Drawing Sheets**



(56)

References Cited

U.S. PATENT DOCUMENTS

4,997,308 A 3/1991 Welling, Jr.  
 5,342,142 A 8/1994 Barth et al.  
 D389,926 S \* 1/1998 Barth ..... D25/113  
 6,055,784 A \* 5/2000 Geiger ..... E01C 5/06  
 404/36  
 D426,317 S \* 6/2000 Fifield ..... D25/114  
 D485,370 S \* 1/2004 Schmitz ..... D25/113  
 D498,543 S \* 11/2004 Schmitz ..... D25/113  
 D508,739 S \* 8/2005 Shillingburg ..... D25/113  
 6,948,282 B2 \* 9/2005 Bott ..... E04C 1/395  
 52/592.6  
 D512,519 S \* 12/2005 Crump ..... D25/112  
 D656,627 S \* 3/2012 MacDonald ..... D25/113  
 8,500,362 B2 \* 8/2013 Steffen ..... E01C 5/06  
 404/34  
 D689,624 S \* 9/2013 Pacitto ..... D25/113  
 D701,619 S \* 3/2014 Pacitto ..... D25/113  
 9,315,950 B2 \* 4/2016 Browning ..... E01C 5/06  
 D783,862 S \* 4/2017 Von Langsdorff ..... D25/113  
 D789,555 S \* 6/2017 Lundell ..... D25/113  
 D789,556 S \* 6/2017 Lundell ..... D25/113  
 D791,345 S \* 7/2017 Lundell ..... D25/112  
 D802,165 S \* 11/2017 von Langsdorff ..... D25/113  
 D802,166 S \* 11/2017 von Langsdorff ..... D25/113  
 9,951,527 B2 \* 4/2018 Lundell ..... E04F 15/08

D819,231 S \* 5/2018 Lundell ..... D25/113  
 D824,542 S \* 7/2018 Lundell ..... D25/113  
 D844,181 S \* 3/2019 Lundell ..... D25/113  
 D846,156 S \* 4/2019 von Langsdorff ..... D25/113  
 2018/0327978 A1 \* 11/2018 von Langsdorff .... E01C 11/225

OTHER PUBLICATIONS

Permeable Pavers—Storm Water Solutions (on-line), dated Oct. 9, 2009. Retrieved from Internet Oct. 31, 2018, URL: <https://www.estormwater.com/permeable-pavers-3> (1 page) (Year: 2009).\*

Permeable Pavers—Green Infrastructure (on-line), dated Oct. 28, 2016. Retrieved from Internet Oct. 31, 2018, URL: <https://web.archive.org/web/20161028232559/https://www.kurtz-bros.com/green-infrastructure/permeable-pavers/> (1 page) (Year: 2016).\*

RCP1130tests—YouTube (on-line), published Nov. 30, 2016. Retrieved from Internet Oct. 30, 2018, URL: [https://www.youtube.com/watch?v=pCxxzF\\_5AHo](https://www.youtube.com/watch?v=pCxxzF_5AHo) (1 page) (Year: 2016).\*

Test pavement viewed towards SW (on-line), dated Jan. 2018. Retrieved from Internet Oct. 30, 2018, URL: [https://www.researchgate.net/figure/Test-pavement-viewed-towards-SW-test-1-near-right-t-394-s-I-2230-mm-h-88\\_fig4\\_324099253](https://www.researchgate.net/figure/Test-pavement-viewed-towards-SW-test-1-near-right-t-394-s-I-2230-mm-h-88_fig4_324099253) (1 page) (Year: 2018).\*

VS-5 Drain Pave—Paving Stones—Western Interlock (on-line), no date available. Retrieved from Internet Oct. 31, 2018, URL: <https://westerninterlock.com/productindex/vs-5-drain-pave/> (2 pages).\*

\* cited by examiner

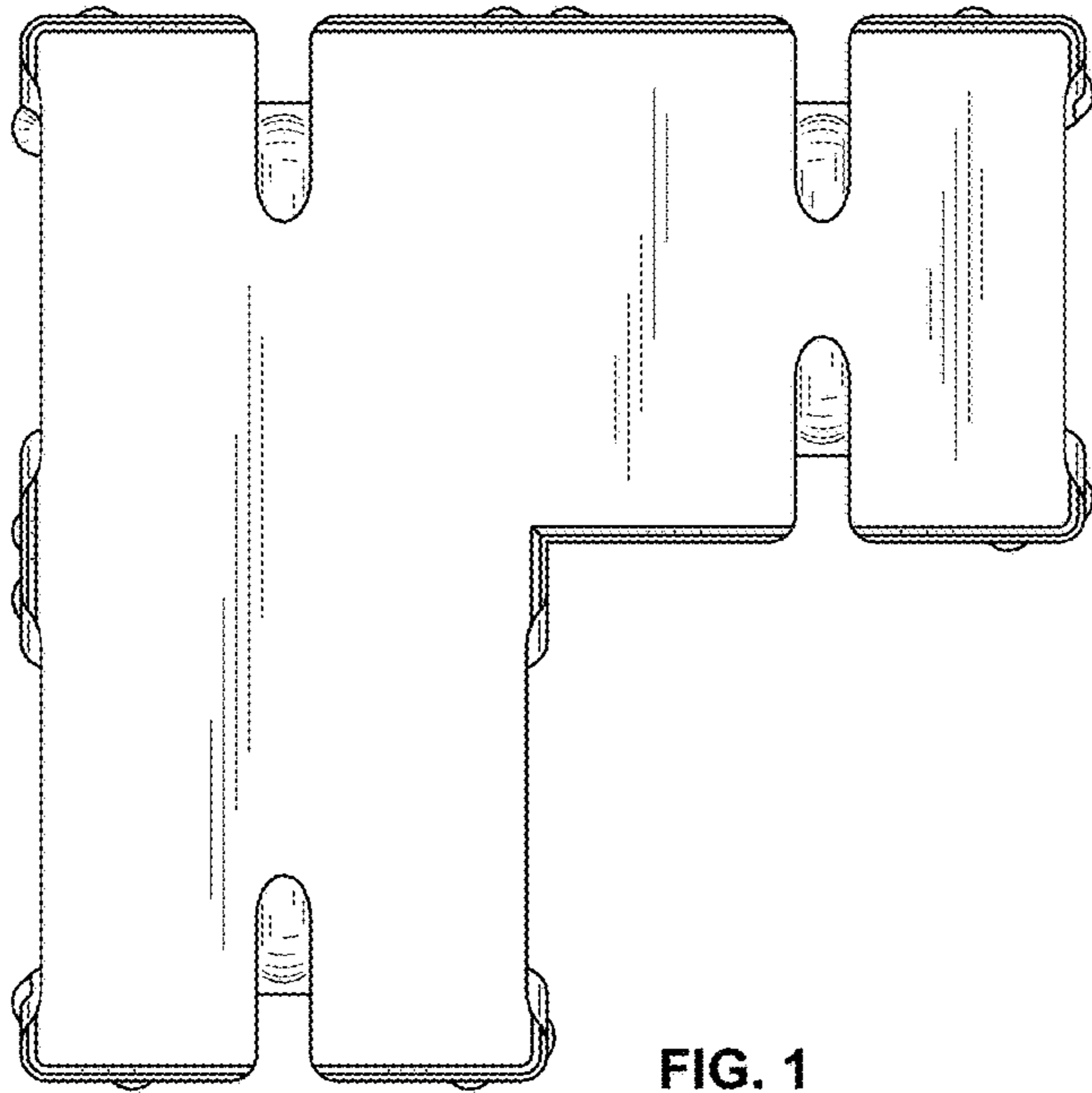


FIG. 1

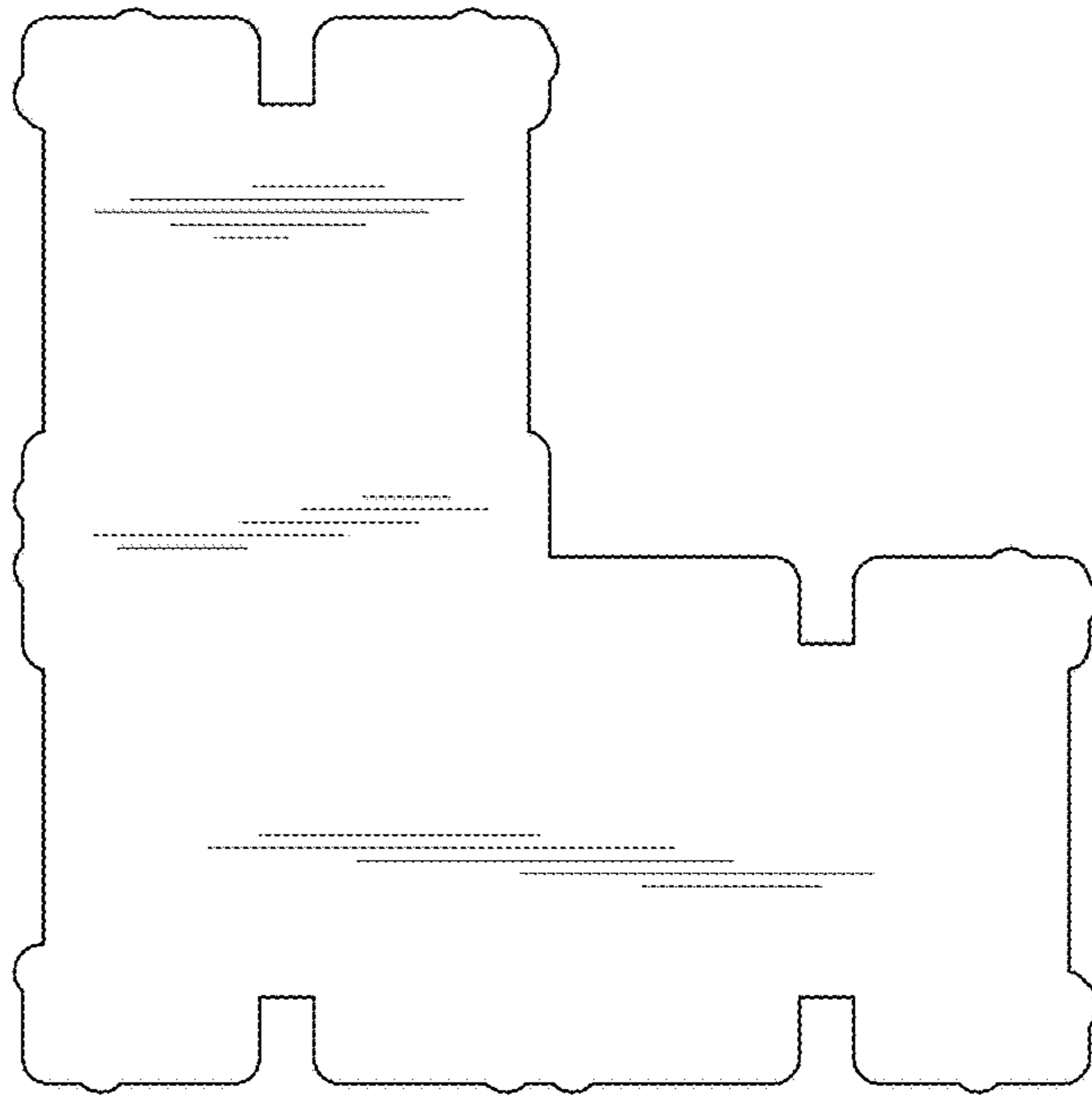


FIG. 2

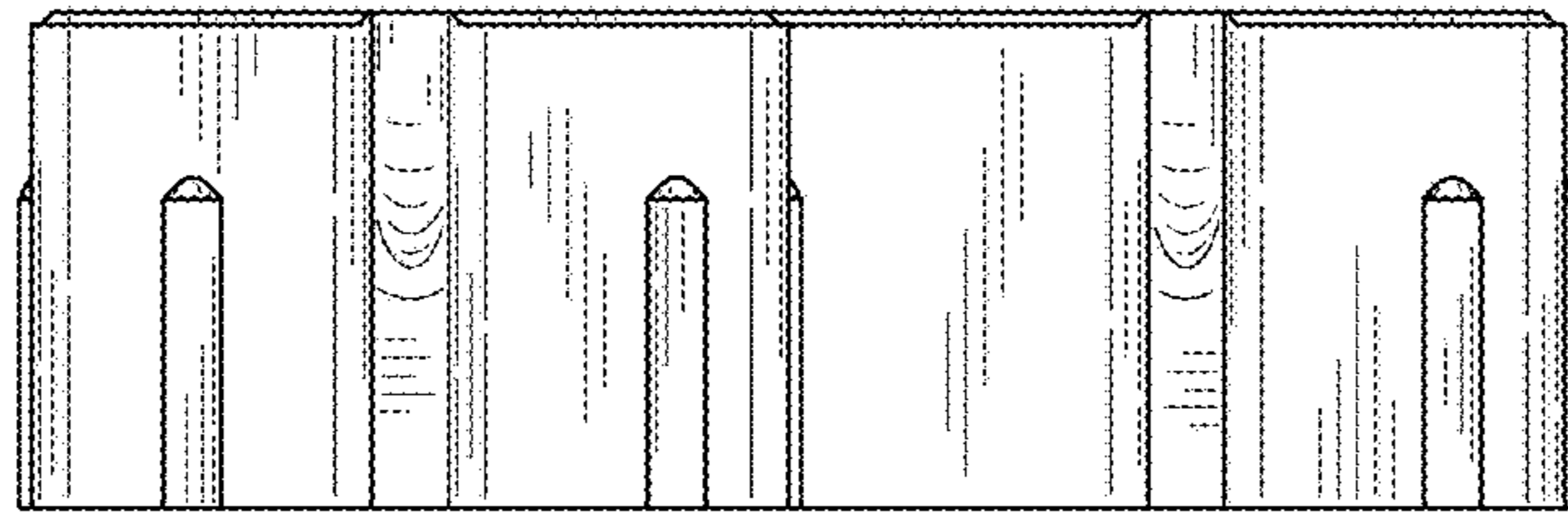


FIG. 3

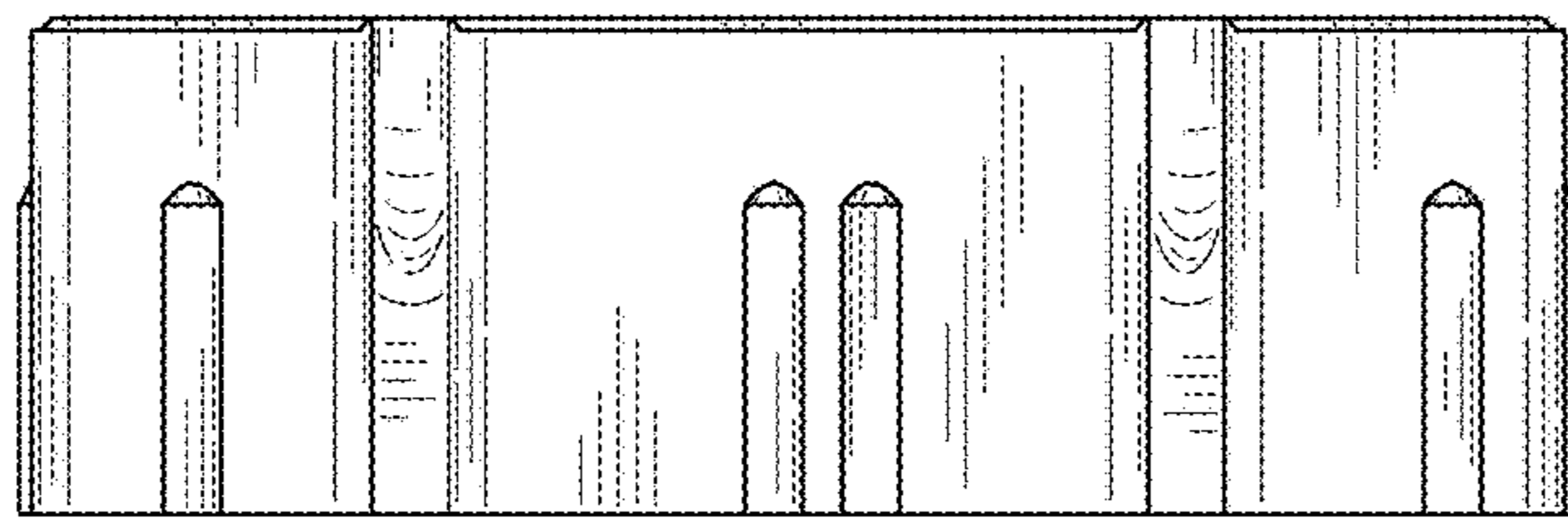


FIG. 4

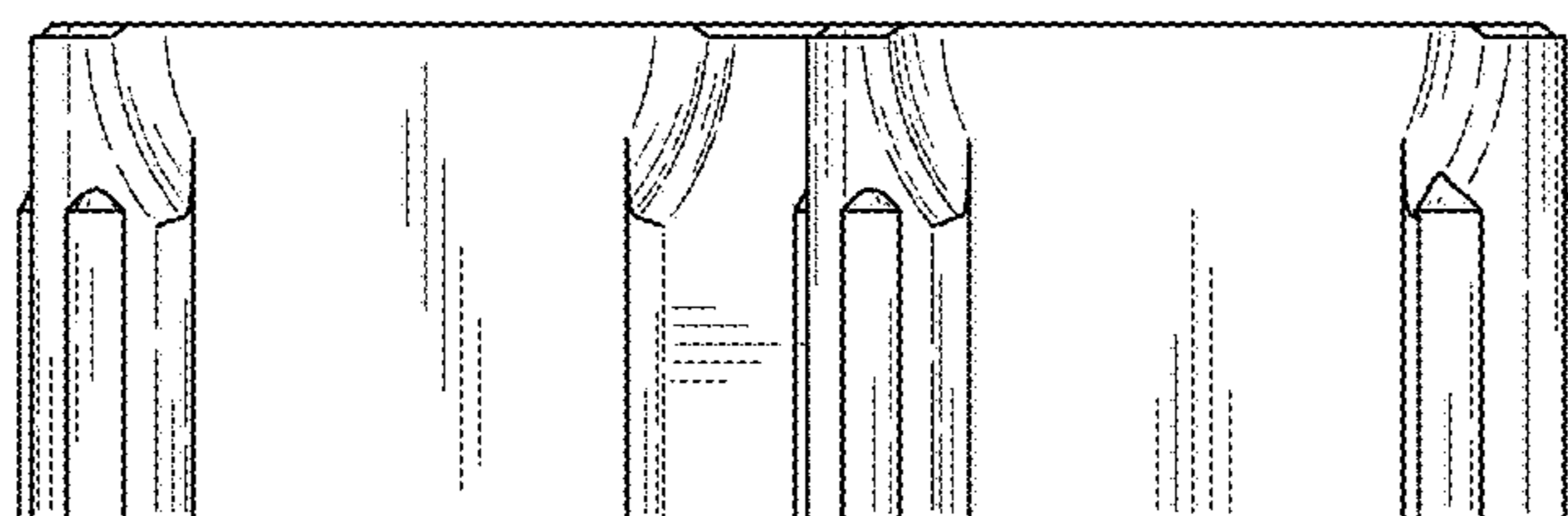


FIG. 5

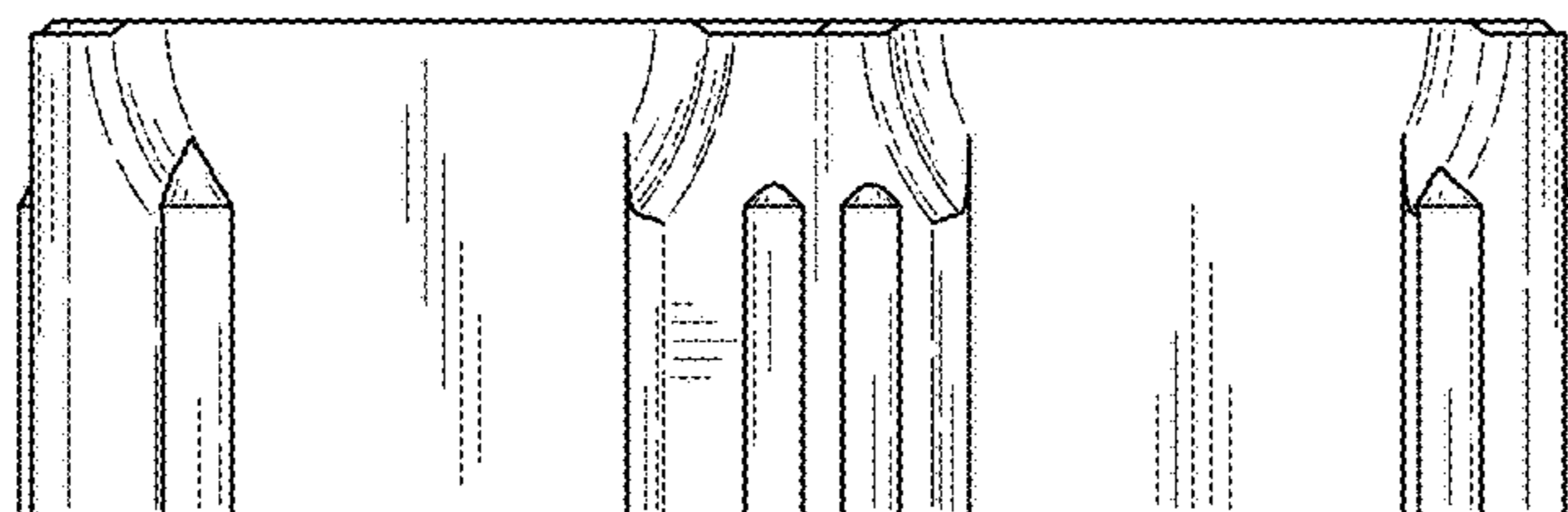


FIG. 6

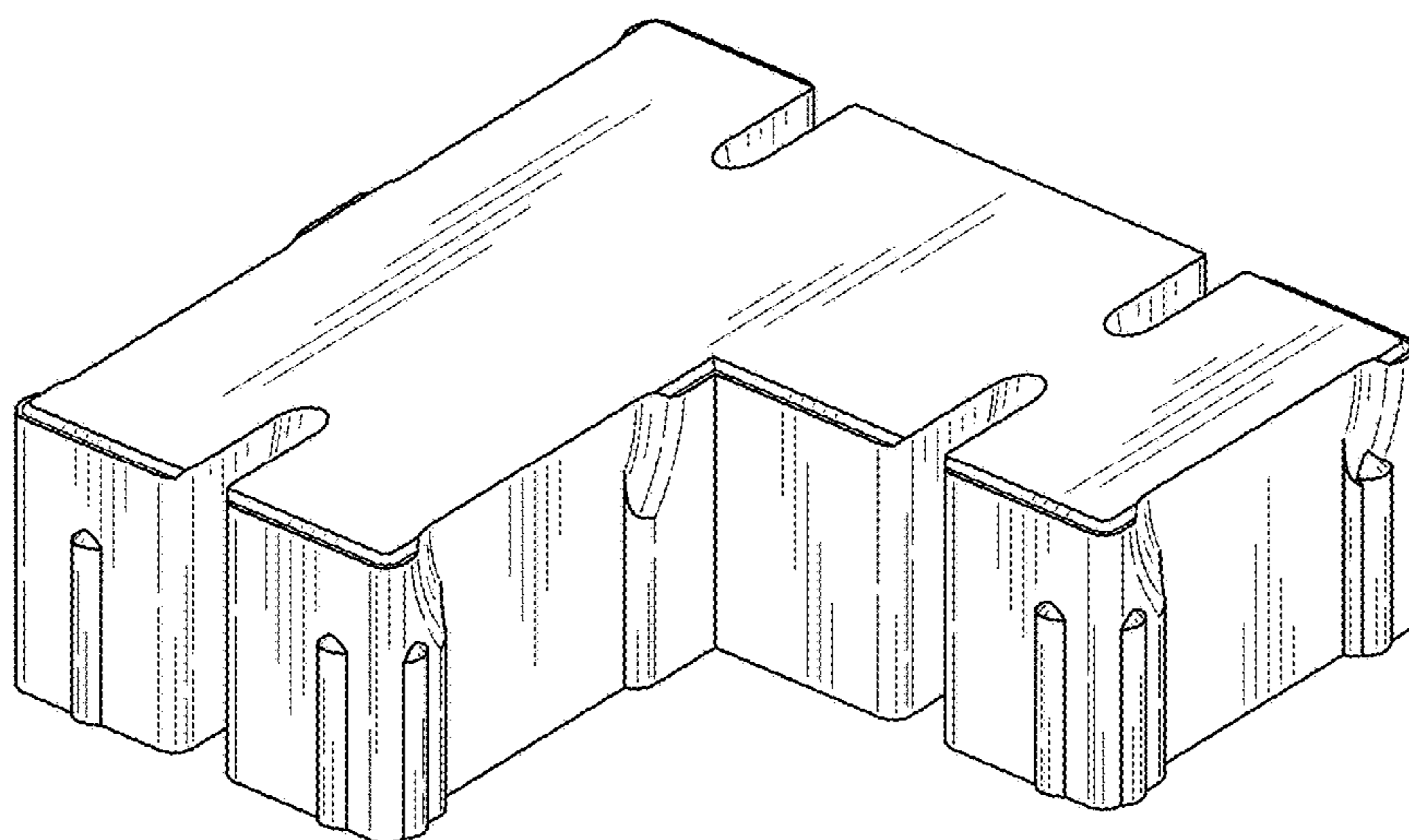


FIG. 7

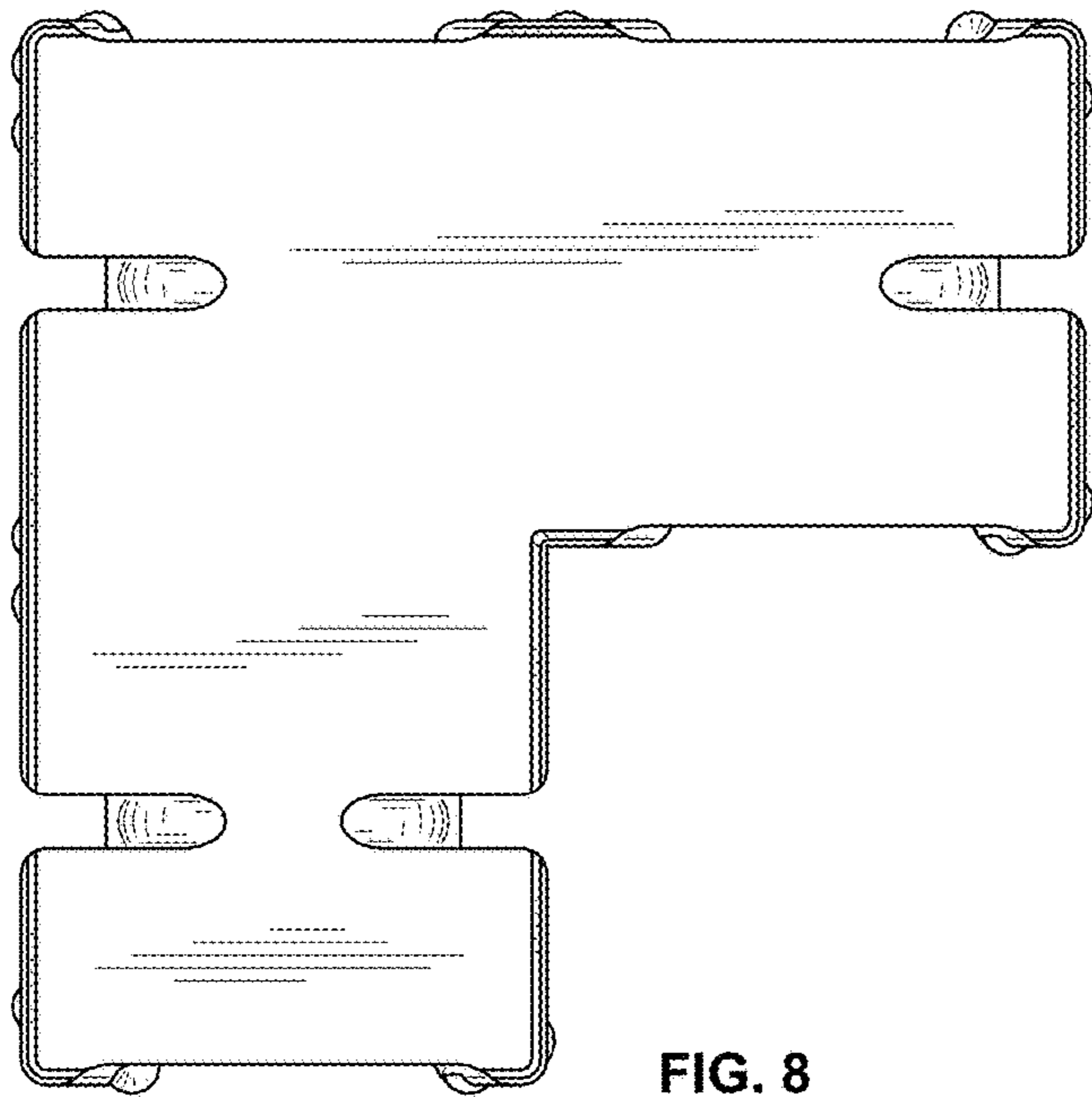


FIG. 8

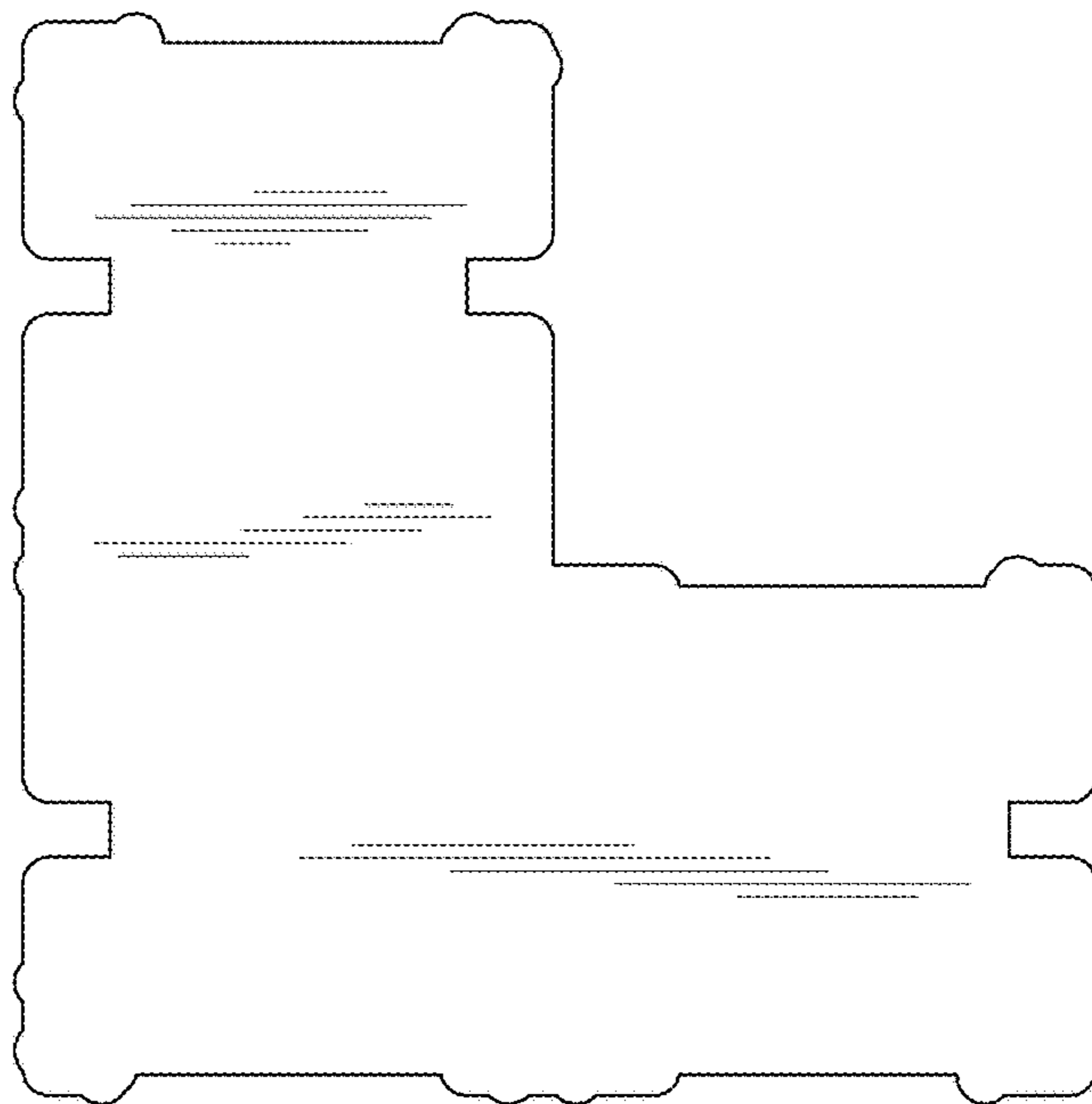


FIG. 9

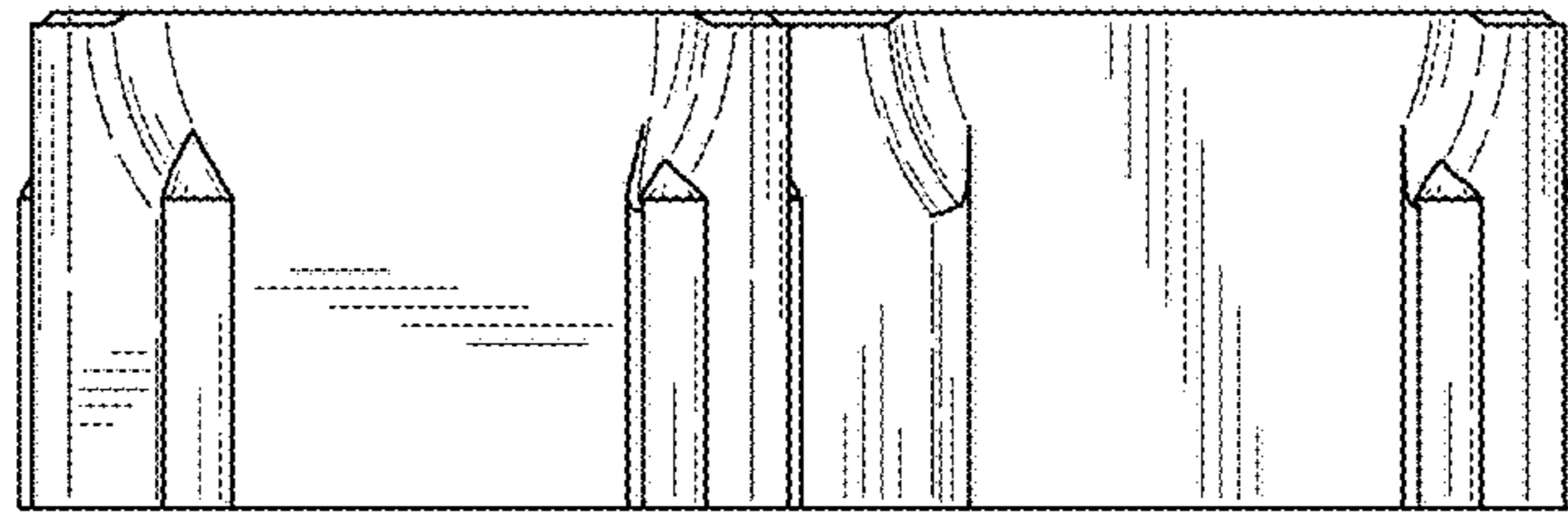


FIG. 10

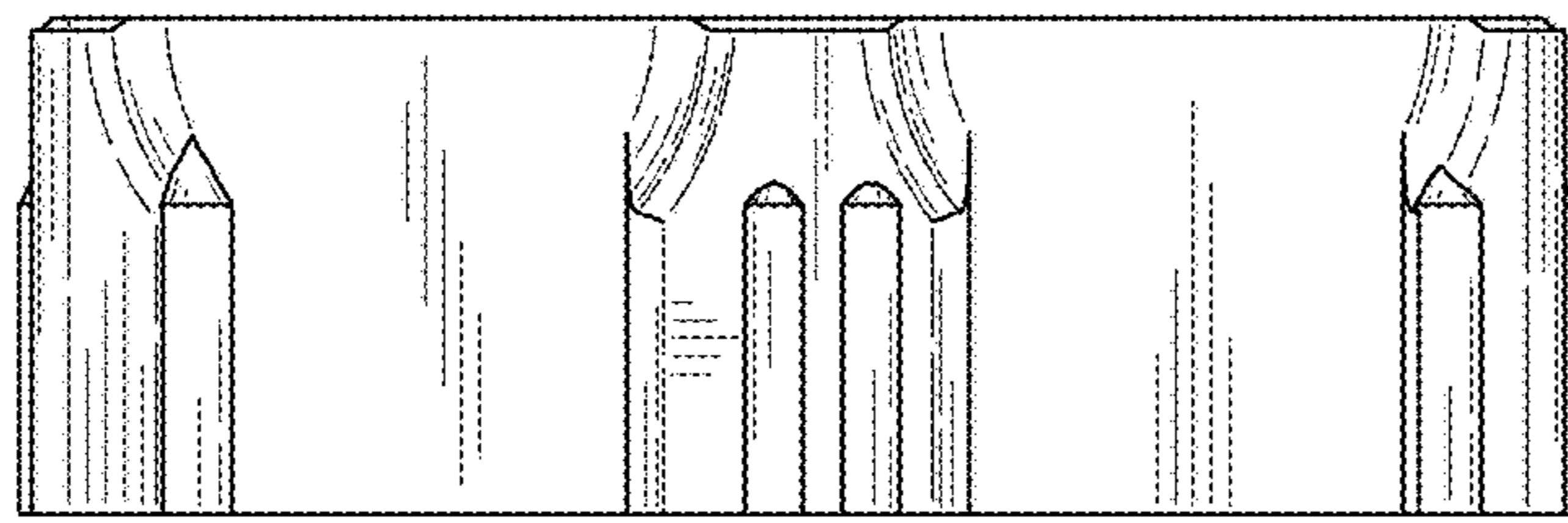


FIG. 11

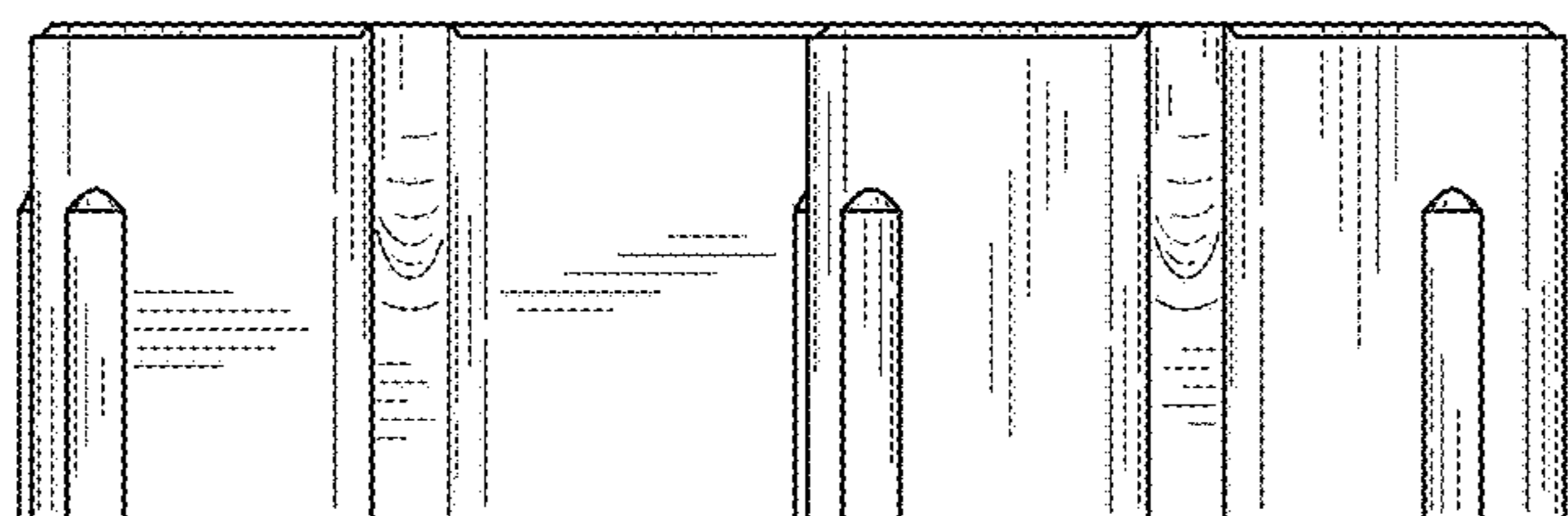


FIG. 12

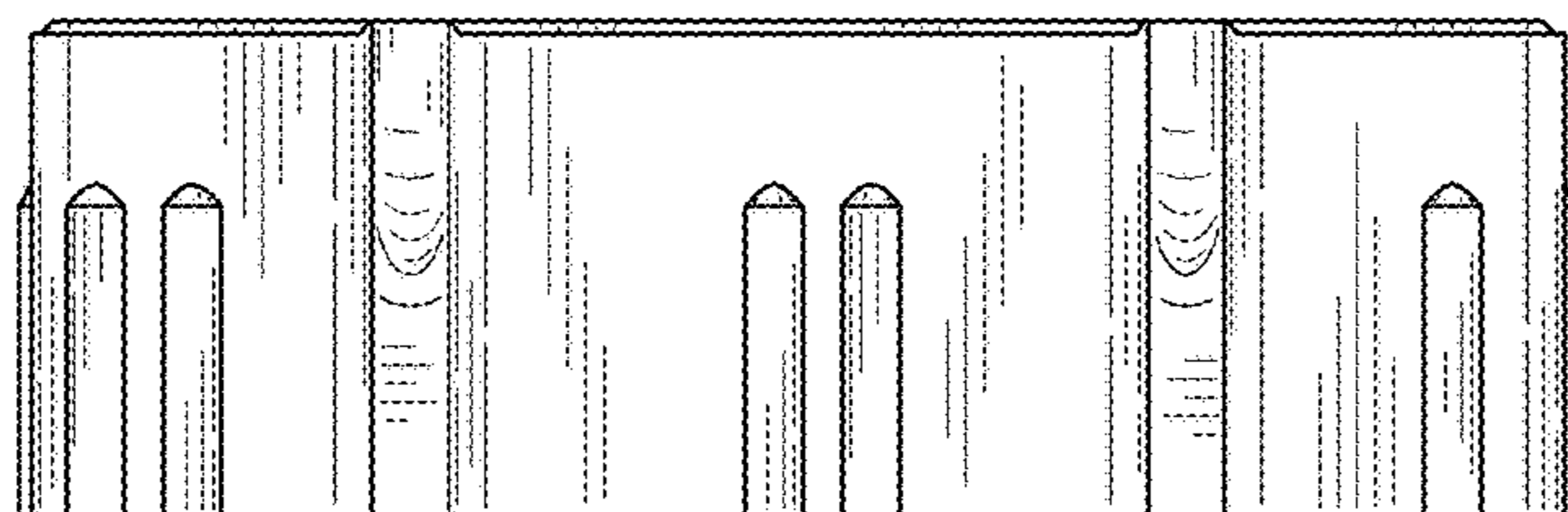


FIG. 13

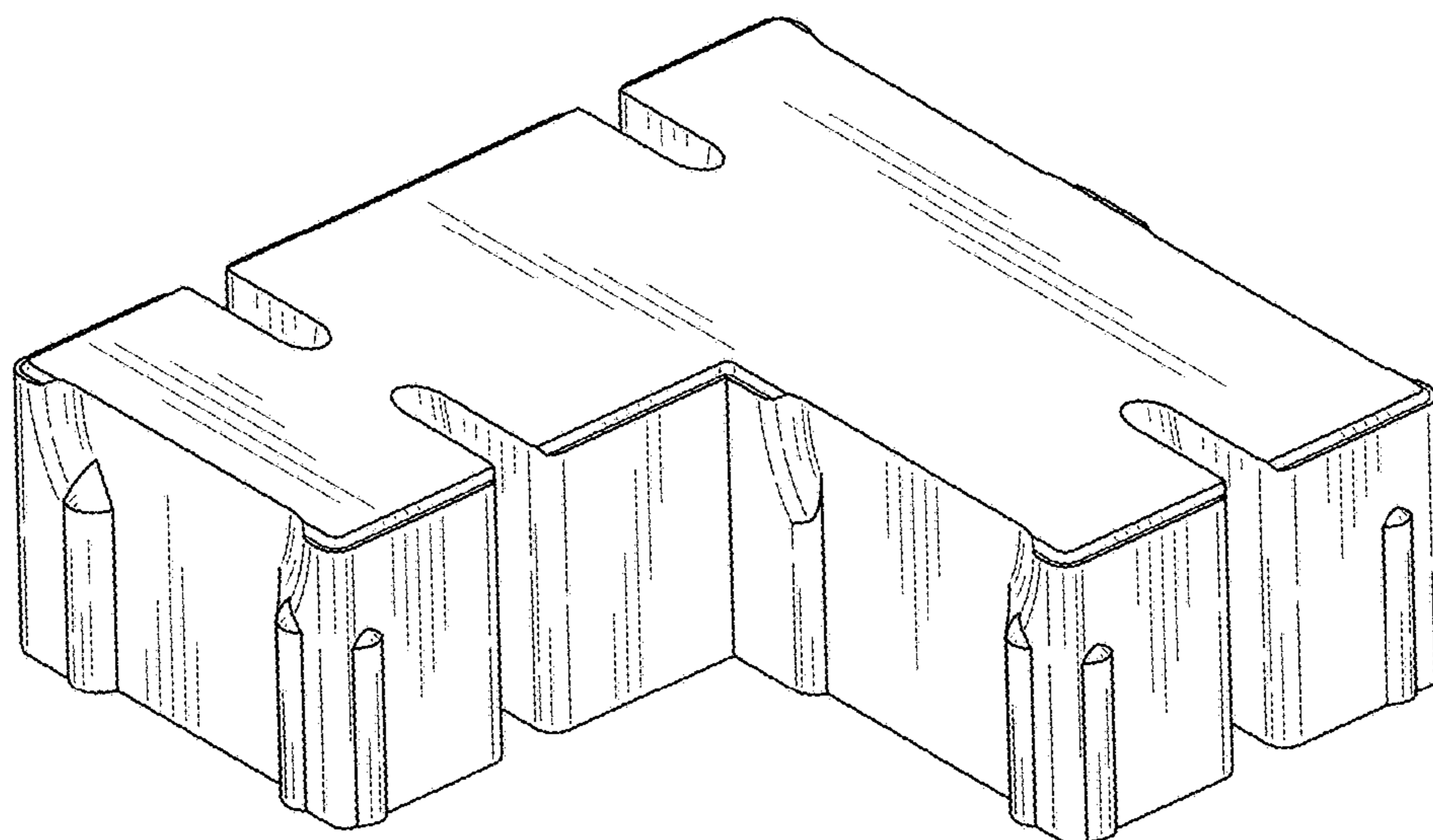


FIG. 14